



US00D351922S

United States Patent [19]
Reynolds

[11] **Patent Number: Des. 351,922**
[45] **Date of Patent: ** Oct. 25, 1994**

[54] **DESIGN FOR A CIGARETTE LIGHTER**
[75] **Inventor: Michael P. Reynolds, Warwick, R.I.**
[73] **Assignee: Colibri Corporation, Providence, R.I.**
[**] **Term: 14 Years**
[21] **Appl. No.: 15,301**
[22] **Filed: Nov. 15, 1993**
[52] **U.S. Cl. D27/147**
[58] **Field of Search 431/124, 127-144,
431/253; D27/139-160**

Primary Examiner—Wallace R. Burke
Assistant Examiner—H. Baynham
Attorney, Agent, or Firm—Salter & Michaelson

[57] **CLAIM**

The ornamental design for a design for a cigarette lighter, as shown and described.

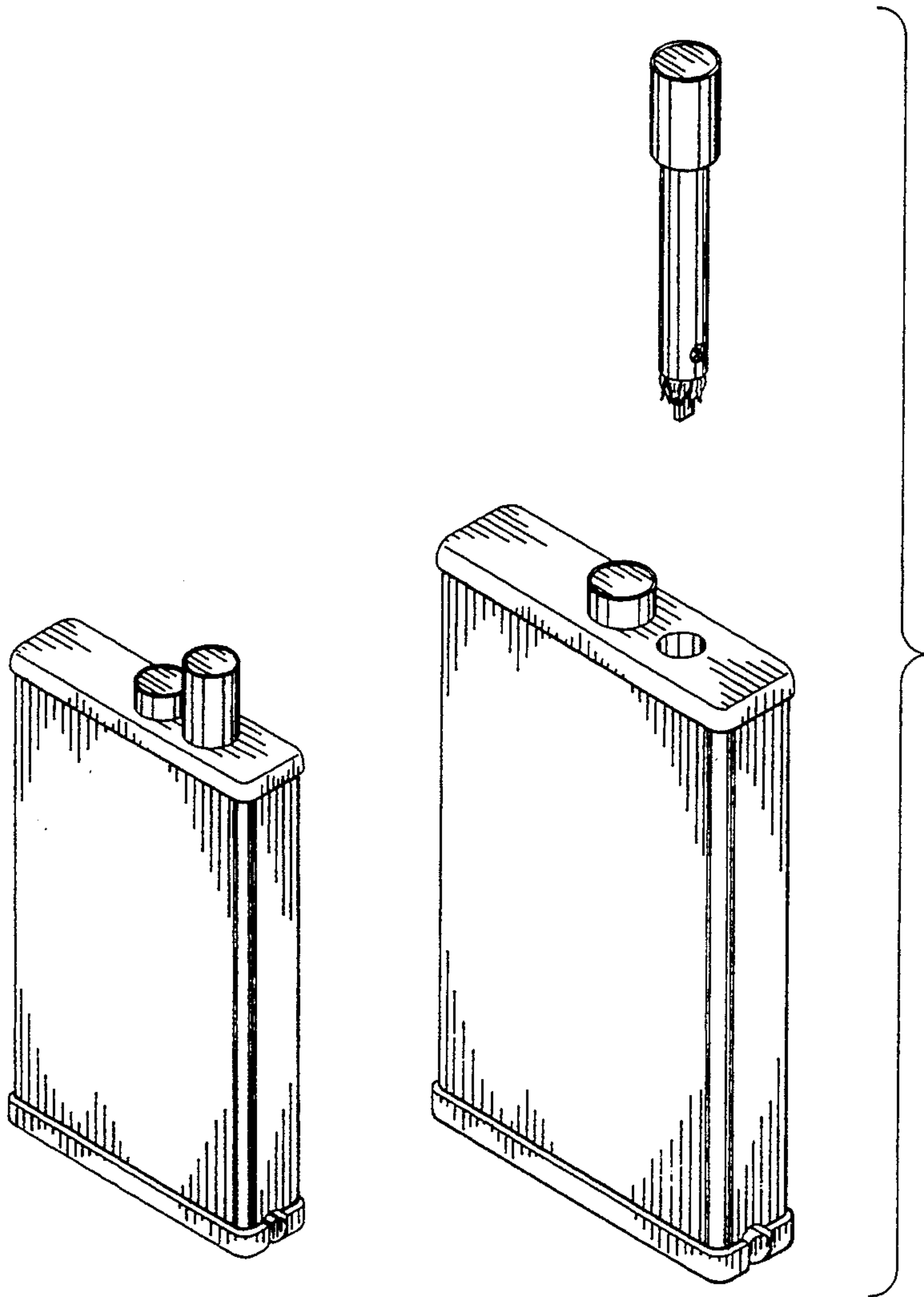
DESCRIPTION

FIG. 1 is a perspective view of a cigarette lighter showing my new design;
FIG. 2 is a right end view thereof;
FIG. 3 is a left end view thereof;
FIG. 4 is a top plan view thereof;
FIG. 5 is a bottom plan view thereof;
FIG. 6 is a front elevational view thereof;
FIG. 7 is a rear elevational view thereof; and,
FIG. 8 is a perspective view showing the lighter after the lightable component thereof has been withdrawn from the lighter housing.

[56] **References Cited**

U.S. PATENT DOCUMENTS

D. 269,554	6/1983	Yanai	D27/147
D. 290,525	6/1987	Ichikawa	D27/148
D. 316,614	4/1991	Ichikawa	D27/154
D. 320,467	10/1991	Ichikawa	D27/159
1,091,966	3/1914	Schleicher	D27/147



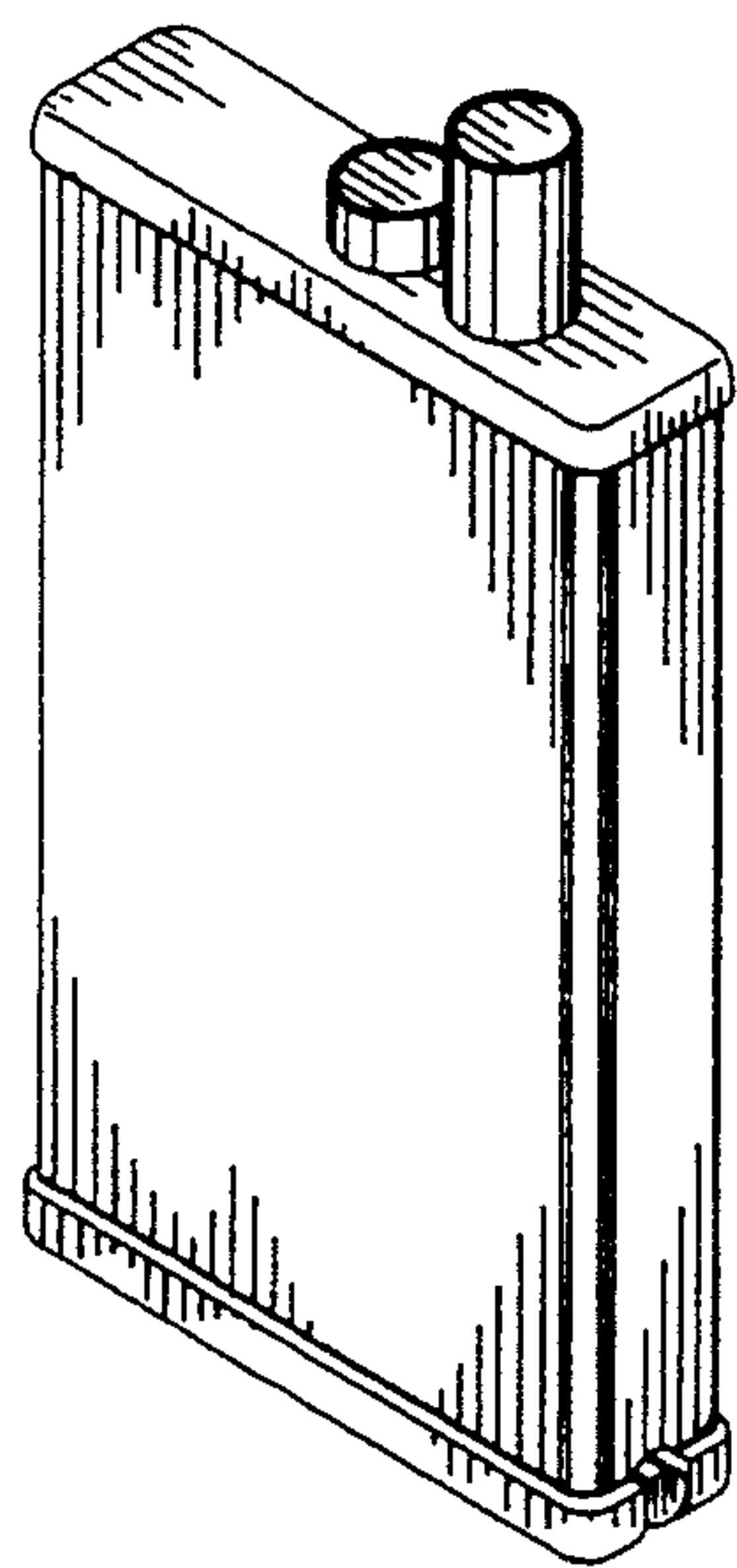


FIG. 1



FIG. 2



FIG. 3



FIG. 4

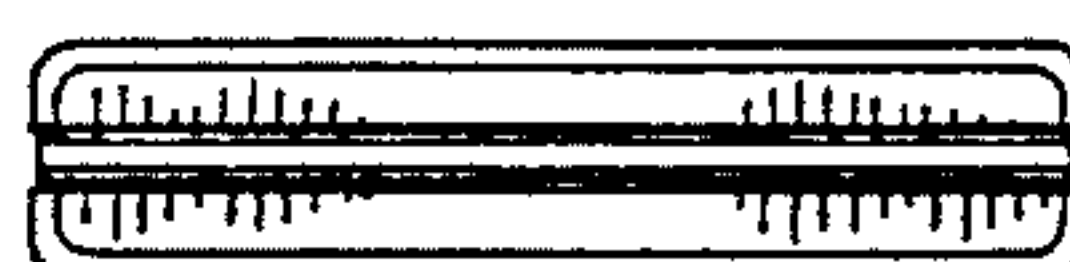


FIG. 5

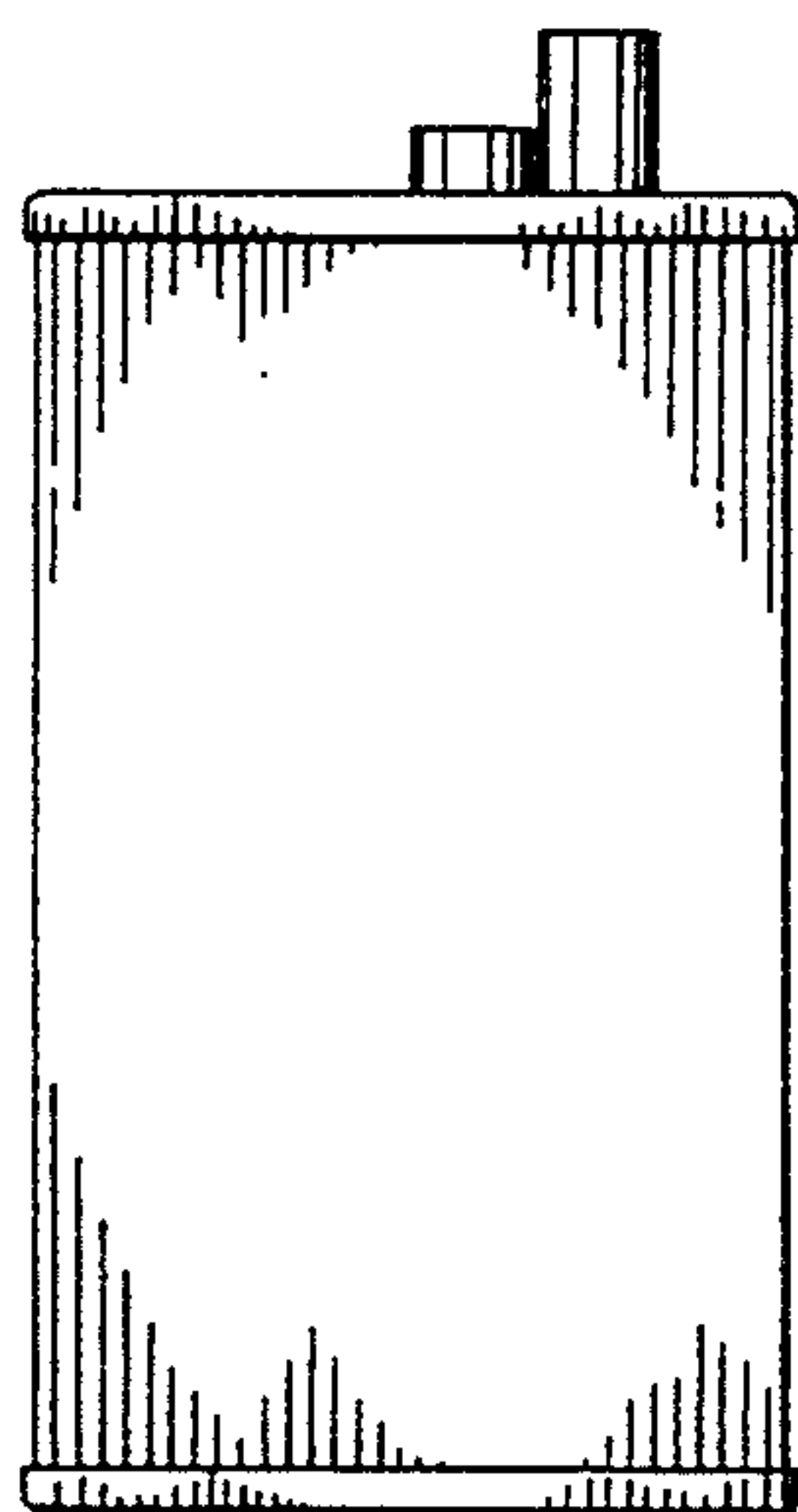


FIG. 6

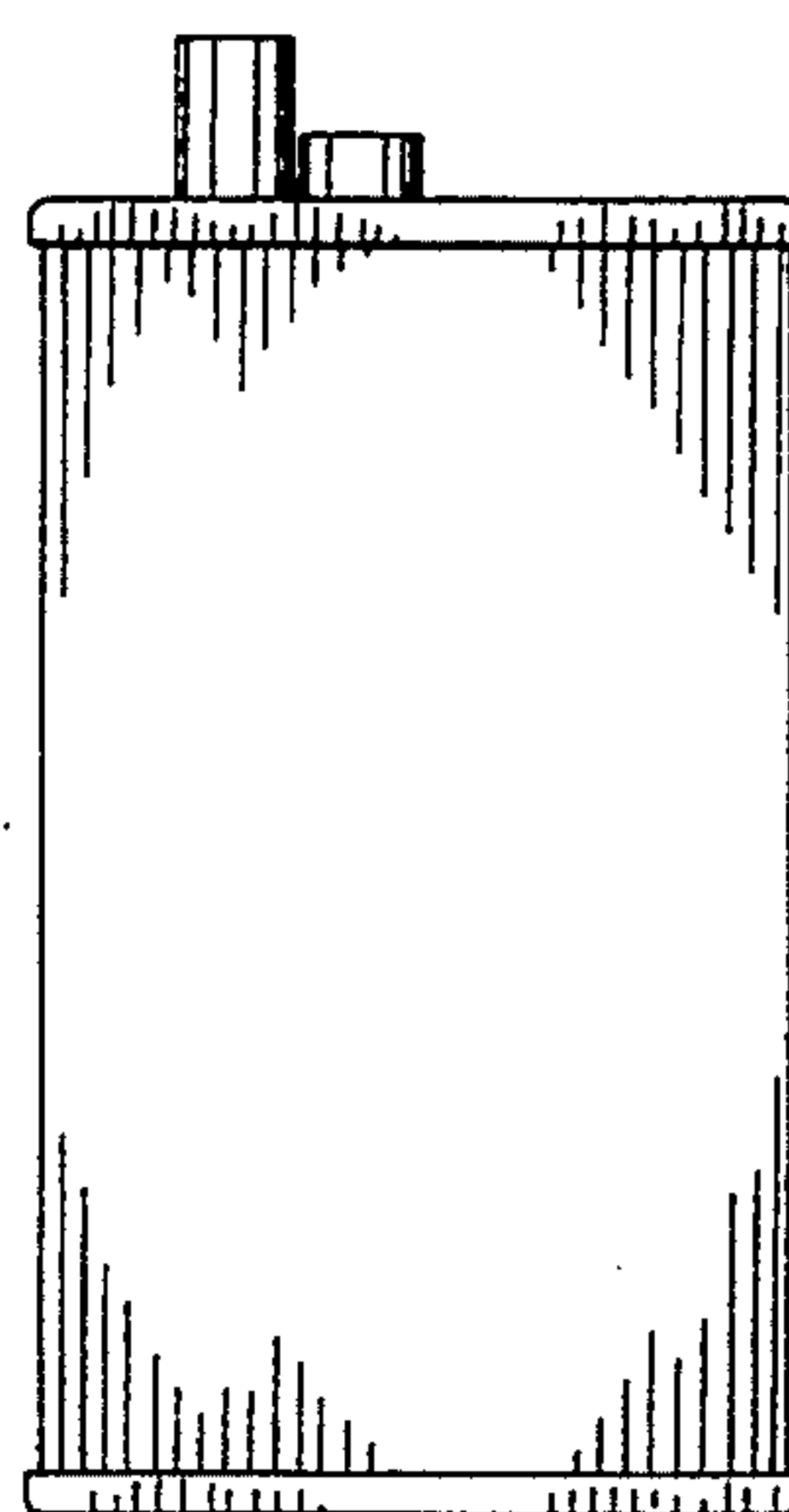


FIG. 7

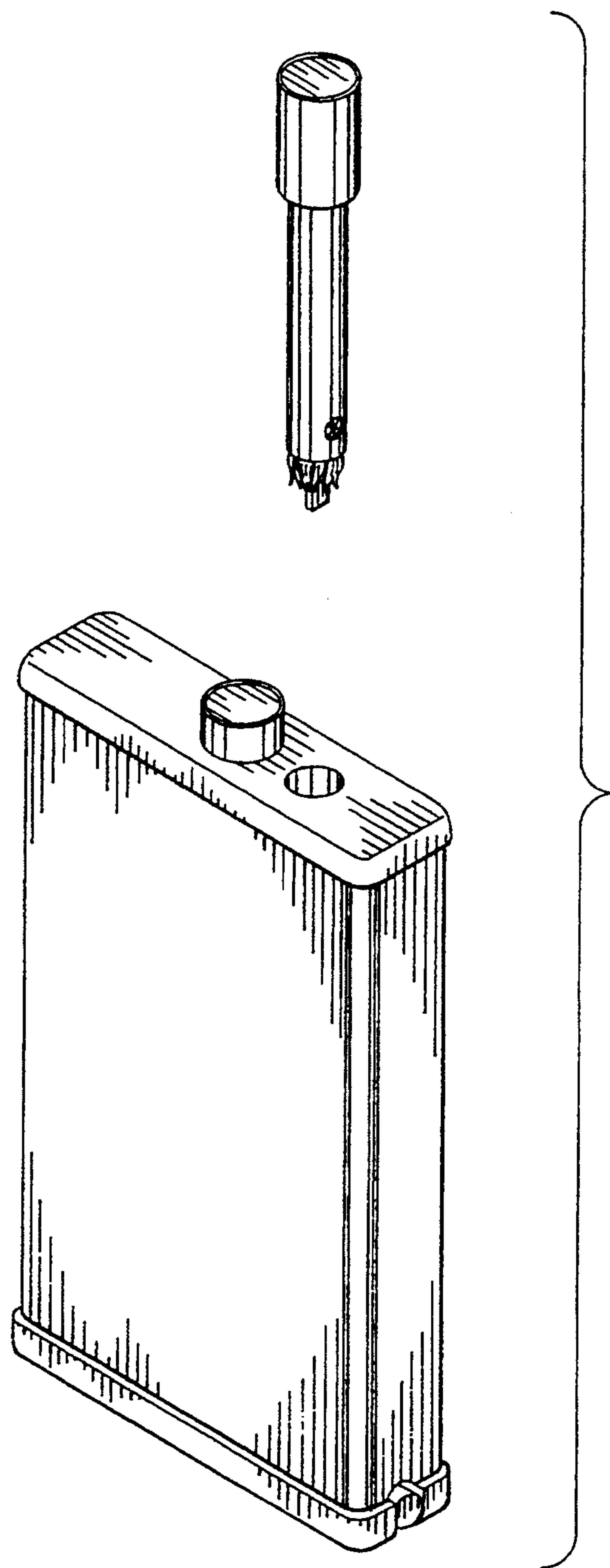


FIG. 8