



US00D351920S

United States Patent [19]

[11] Patent Number: **Des. 351,920**

Nagy et al.

[45] Date of Patent: **** Oct. 25, 1994**

[54] ADJUSTABLE COMPUTER MONITOR LIGHT

[75] Inventors: **Neil Nagy**, Rancho Palos Verdes; **J. Kipton Pohlman**, Los Angeles, both of Calif.

[73] Assignee: **Rubbermaid Incorporated**, Wooster, Ohio

[**] Term: **14 Years**

[21] Appl. No.: **13,578**

[22] Filed: **Sep. 27, 1993**

[52] U.S. Cl. **D26/65**

[58] Field of Search 362/418, 419, 427, 219, 362/220, 222, 223, 224, 225, 33; D26/60, 61, 63, 65, 75, 78

[56] References Cited

U.S. PATENT DOCUMENTS

D. 304,242	10/1989	Sträter	D26/65
D. 337,843	7/1993	Huang	D26/65
2,076,446	4/1937	Carwardine	248/280
2,443,829	6/1948	Lancay et al.	240/4
2,896,066	7/1959	Quetin	240/1.4
3,239,659	3/1966	Makas	240/9.5
3,330,950	7/1967	Lawson et al.	240/52.1
4,118,766	10/1978	Kredo	362/427
4,165,530	8/1979	Sowden	362/401
4,213,172	7/1980	Scattolin et al.	362/413
4,262,327	4/1981	Kovacik et al.	362/223
4,314,319	2/1982	Terry et al.	362/287
4,494,177	1/1985	Matthews	362/402
4,598,344	7/1986	Nadler	362/220
5,036,436	6/1991	Rattigan et al.	362/33

OTHER PUBLICATIONS

Harriet Carter Gift Catalog, 1989, p. 99, Cordless Fluorescent picture light.

P. 764, Task Light; United Stationers, Address Unknown. Publication Date Aug. 1992.

Sell Sheet, Task Light; ACCO USA Inc., 770 South ACCO Plaza, Wheeling, Ill. 60090-60070. Publication Date Feb. 1992.

Sell Sheet, Task Light; ACCO USA Inc., 770 South ACCO Plaza, Wheeling, Ill. 60090-60070. Publication Date Feb. 1992.

Sell Sheet, System Light; Perfect Data Corporation, 1825 Surveyor Ave., Simi Valey, Calif. 93063. It is believed that the product depicted herein has been on sale for more than one (1) year prior to the applicaiton date of this instant application.

Primary Examiner—Susan J. Lucas

Attorney, Agent, or Firm—Richard B. O'Planick; Lisa B. Riedesel

[57] CLAIM

The ornamental design for an adjustable computer monitor light, as shown and described.

DESCRIPTION

FIG. 1 is a top left front perspective view of an adjustable computer monitor light showing our new design; FIG. 2 is the same view as FIG. 1 showing our new design as attached to a copyholder, the broken lines are for illustrative purposes only and form no part of the claimed design;

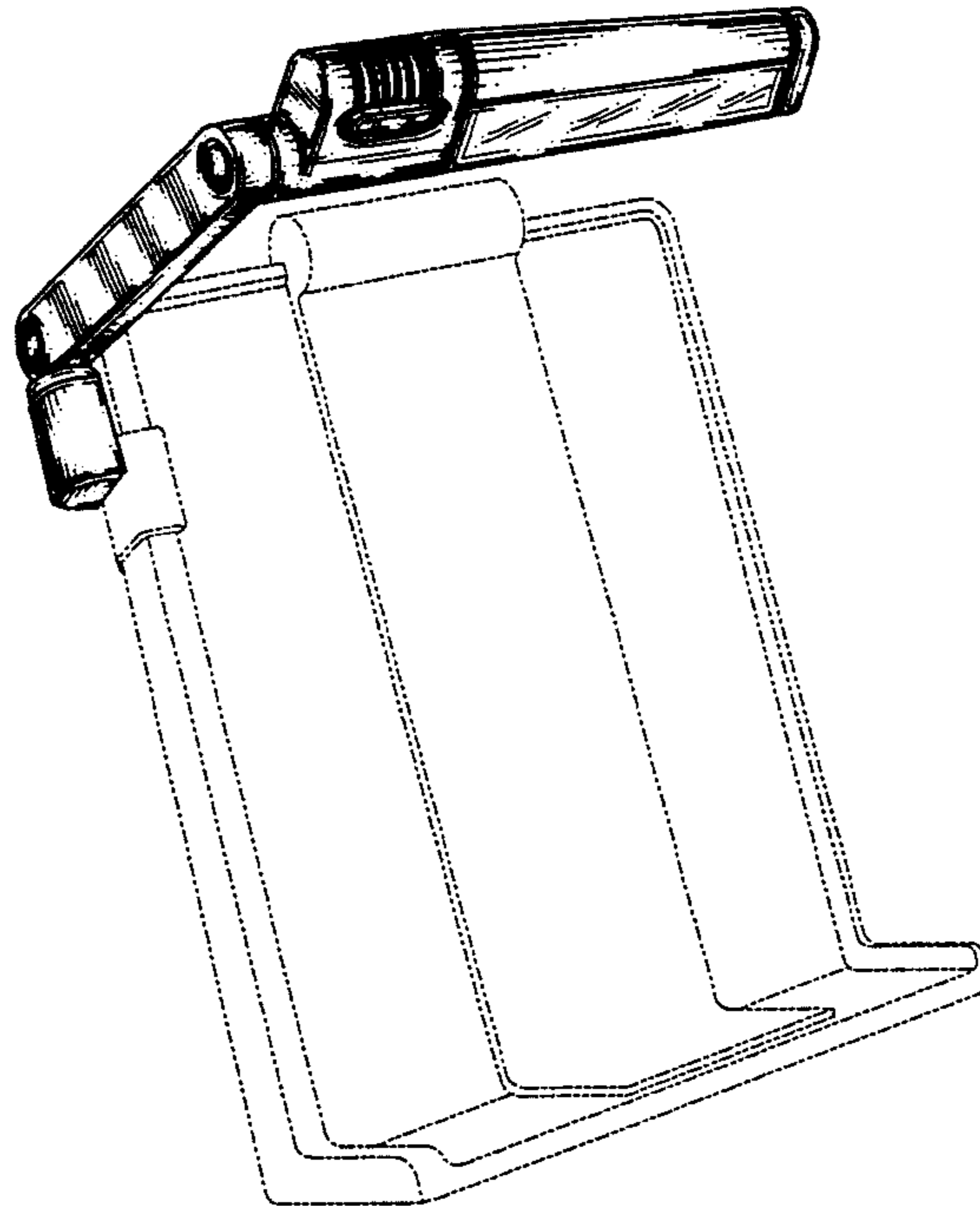
FIG. 3 is a front elevational view thereof;

FIG. 4 is a top plan view thereof;

FIG. 5 is a bottom plan view thereof;

FIG. 6 is a left side elevational view thereof; and,

FIG. 7 is a right side elevation view thereof.



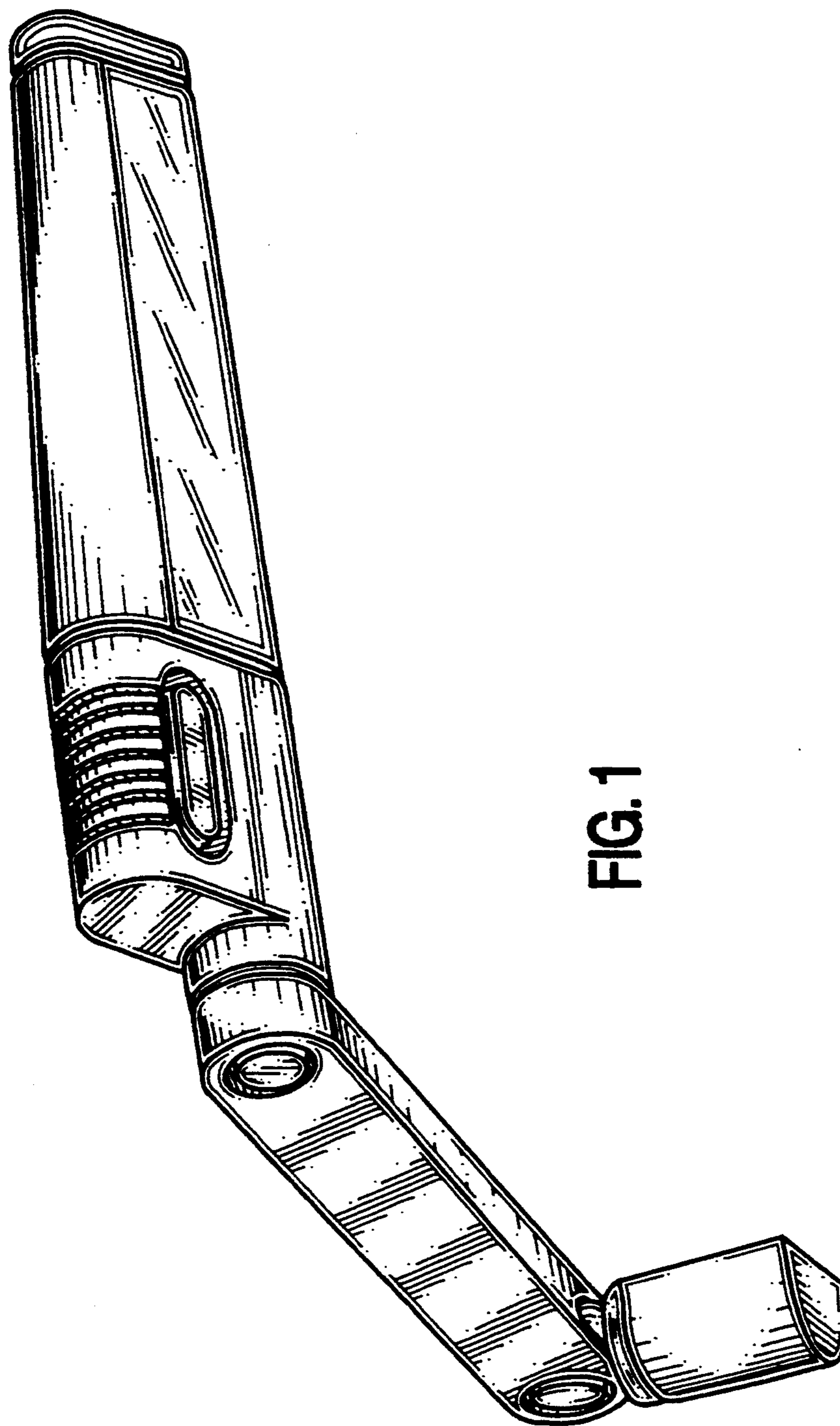


FIG. 1

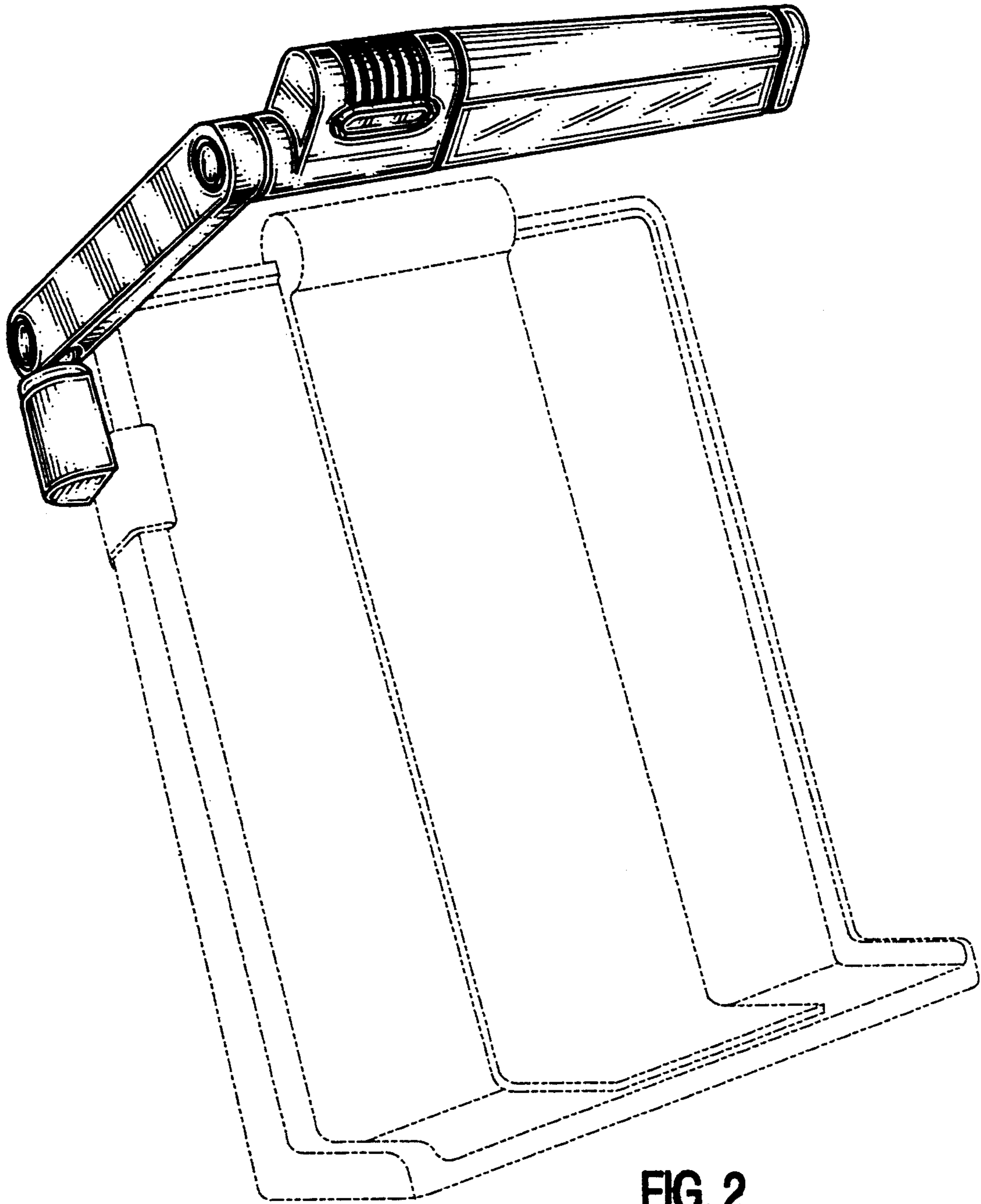


FIG. 2

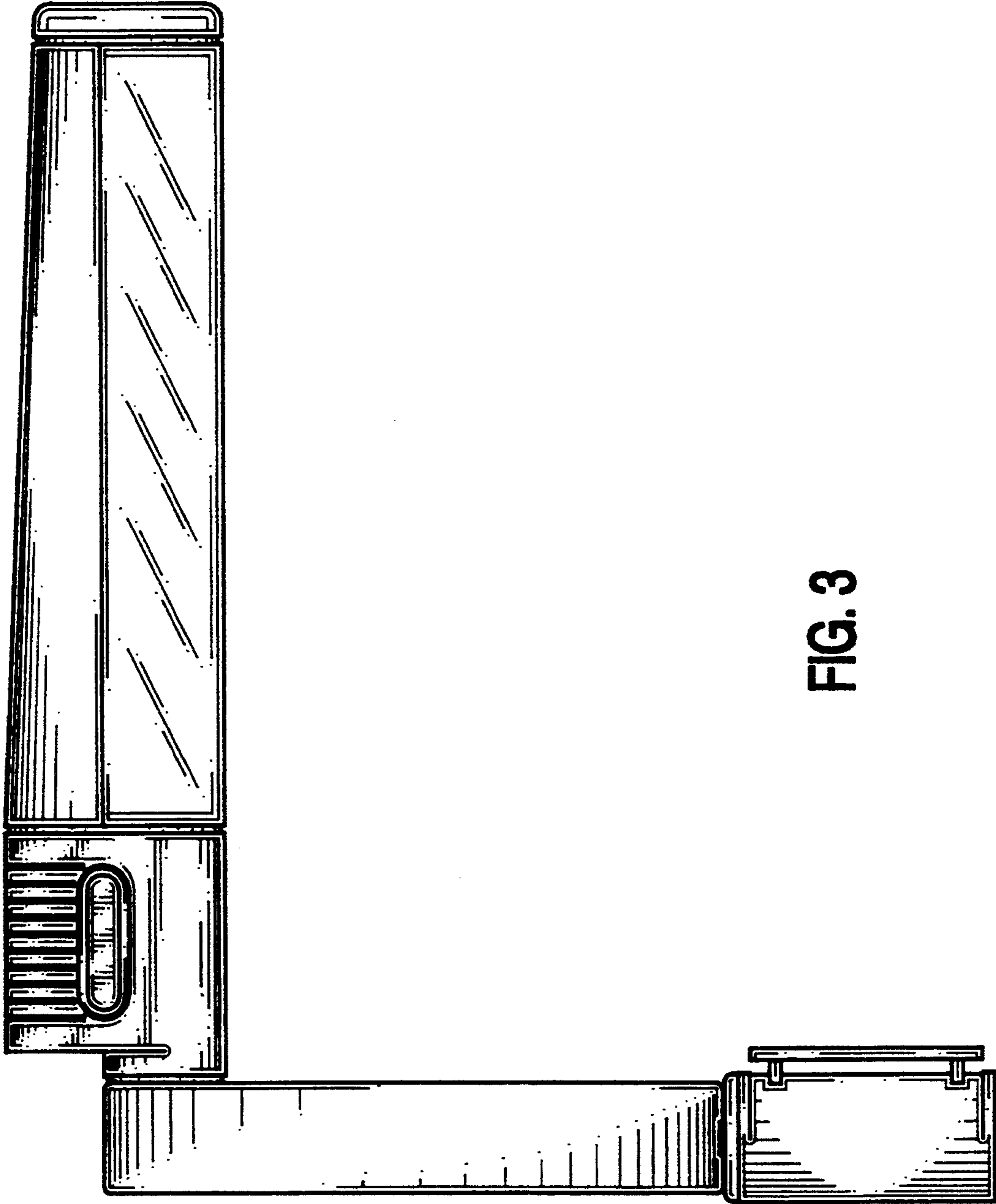


FIG. 3

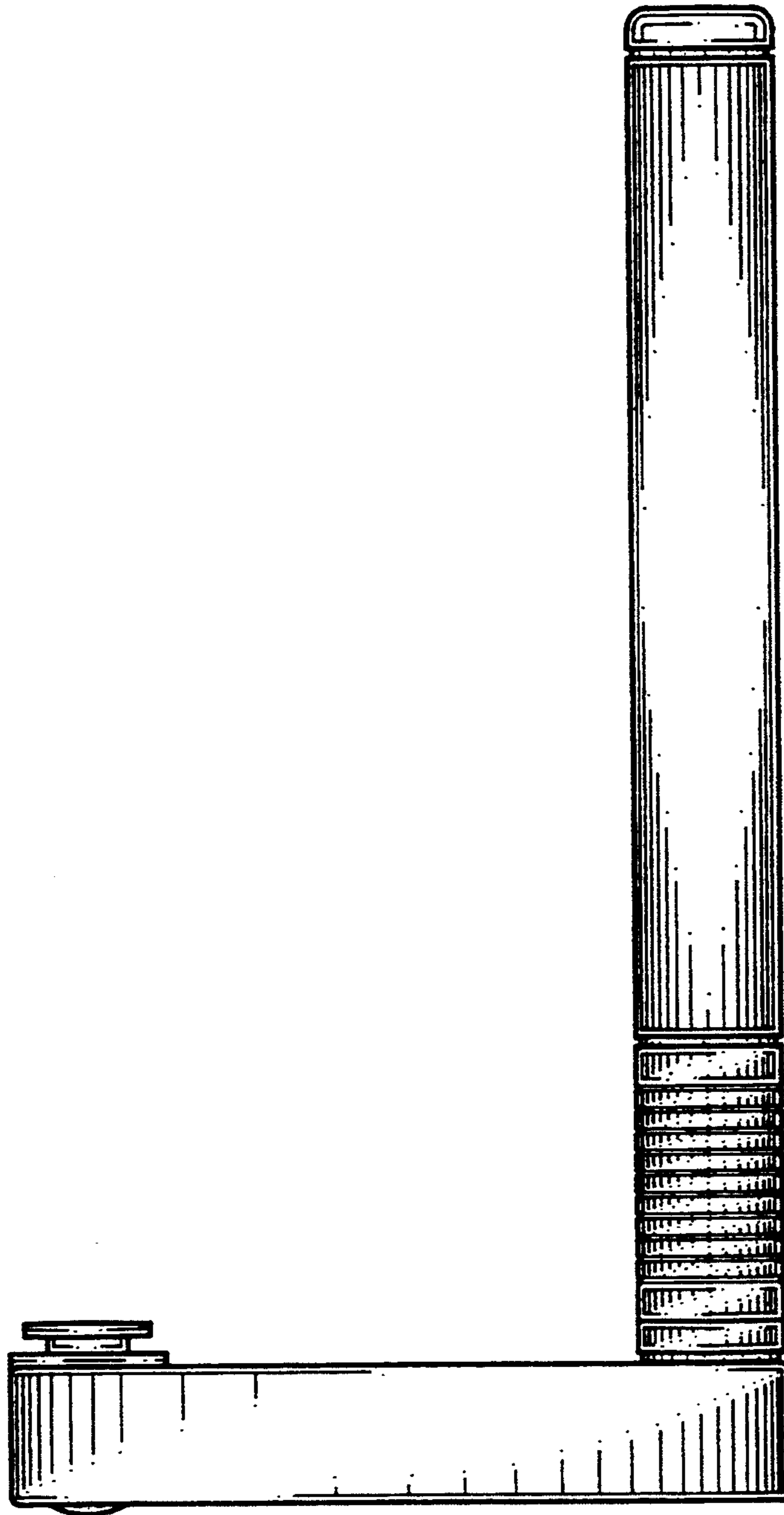


FIG. 4

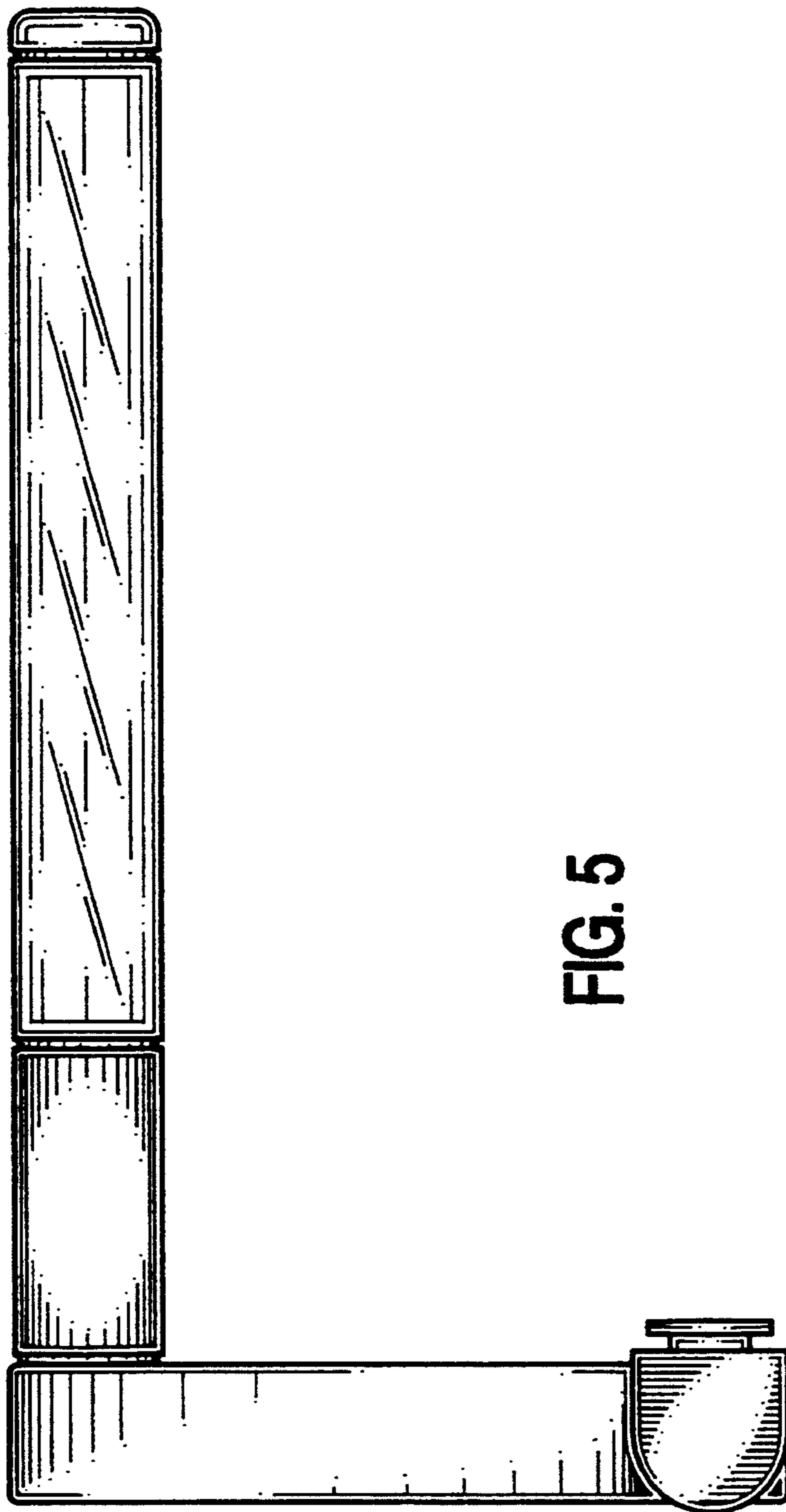


FIG. 5

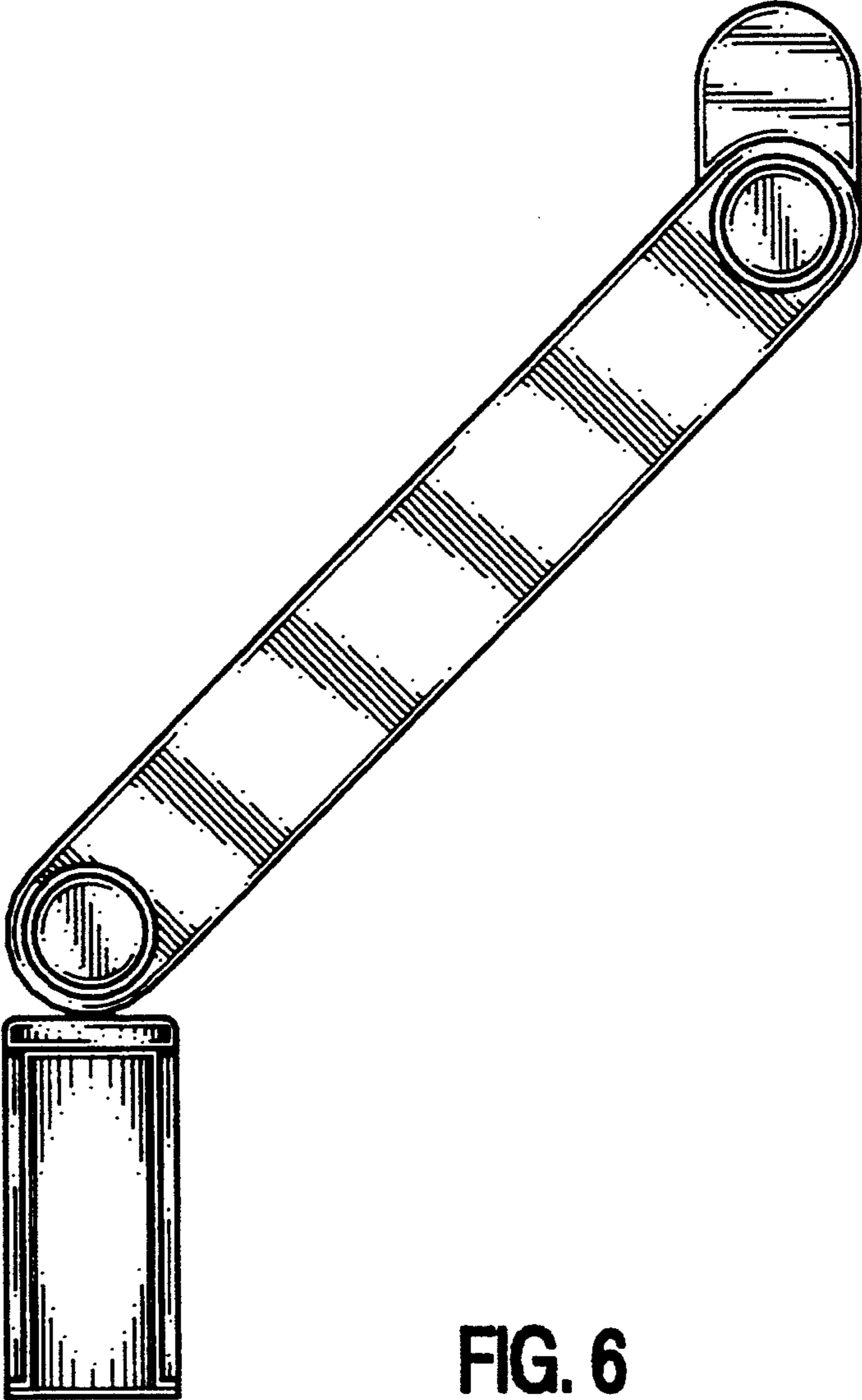


FIG. 6

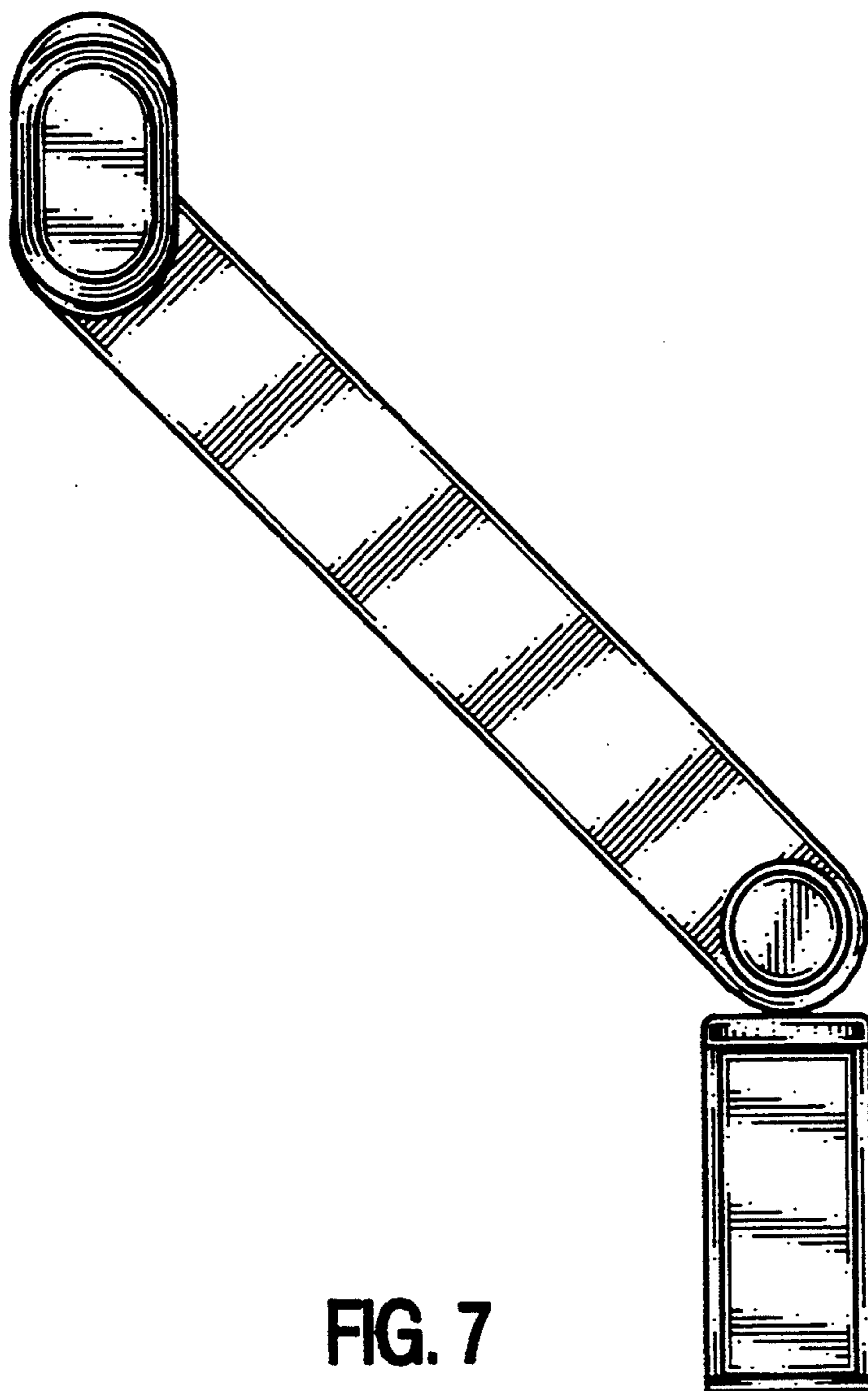


FIG. 7