



US00D351919S

United States Patent [19]

[11] Patent Number: **Des. 351,919**

Rorke

[45] Date of Patent: **** Oct. 25, 1994**

[54] **COMBINED DESK LAMP AND LIFT OFF TRAY**

[75] Inventor: **Brooks Rorke**, Fairfield, Conn.

[73] Assignee: **Holmes Products Corp.**, Milford, Mass.

[**] Term: **14 Years**

[21] Appl. No.: **3,260**

[22] Filed: **Jan. 4, 1993**

[52] U.S. Cl. **D26/51; D26/107**

[58] Field of Search **362/410, 411, 412, 413, 362/414, 418, 419, 427, 269, 97, 98, 133, 136; D26/60-63, 107, 108, 51; D19/75, 77, 78, 92**

[56] **References Cited**

U.S. PATENT DOCUMENTS

- D. 63,017 9/1923 Wolter D26/107
- D. 74,093 12/1927 Brieloff D26/63
- D. 146,987 6/1947 Reinecke D26/51 X
- D. 150,404 8/1948 Coen D26/51
- D. 177,344 4/1956 Mehr D26/62 X
- D. 209,365 11/1967 Hartwell .
- D. 217,830 6/1970 Heller D26/51
- D. 243,711 3/1977 Haft .
- 3,118,615 1/1964 James et al. .
- 4,153,927 5/1979 Owens .
- 4,751,620 6/1988 Wright et al. .

- 4,874,991 10/1989 Ruskin .
- 4,908,741 3/1990 Hwang .
- 5,122,937 6/1992 Stoudemire .

OTHER PUBLICATIONS

Domus, Dec. 1988, ADS-p. 85, Table Lamp.
Modern Plastics, Jun. 1954, p. 135, Table Lamp.

Primary Examiner—Susan J. Lucas
Attorney, Agent, or Firm—Kriegsman & Kriegsman

[57] **CLAIM**

The ornamental design for a combined desk lamp and lift off tray, as shown and described.

DESCRIPTION

FIG. 1 is a front, top, left side perspective view of a combined desk lamp and lift off tray showing my new design, the lift off tray being closed;

FIG. 2 is a front elevational view thereof;

FIG. 3 is a rear elevational view thereof;

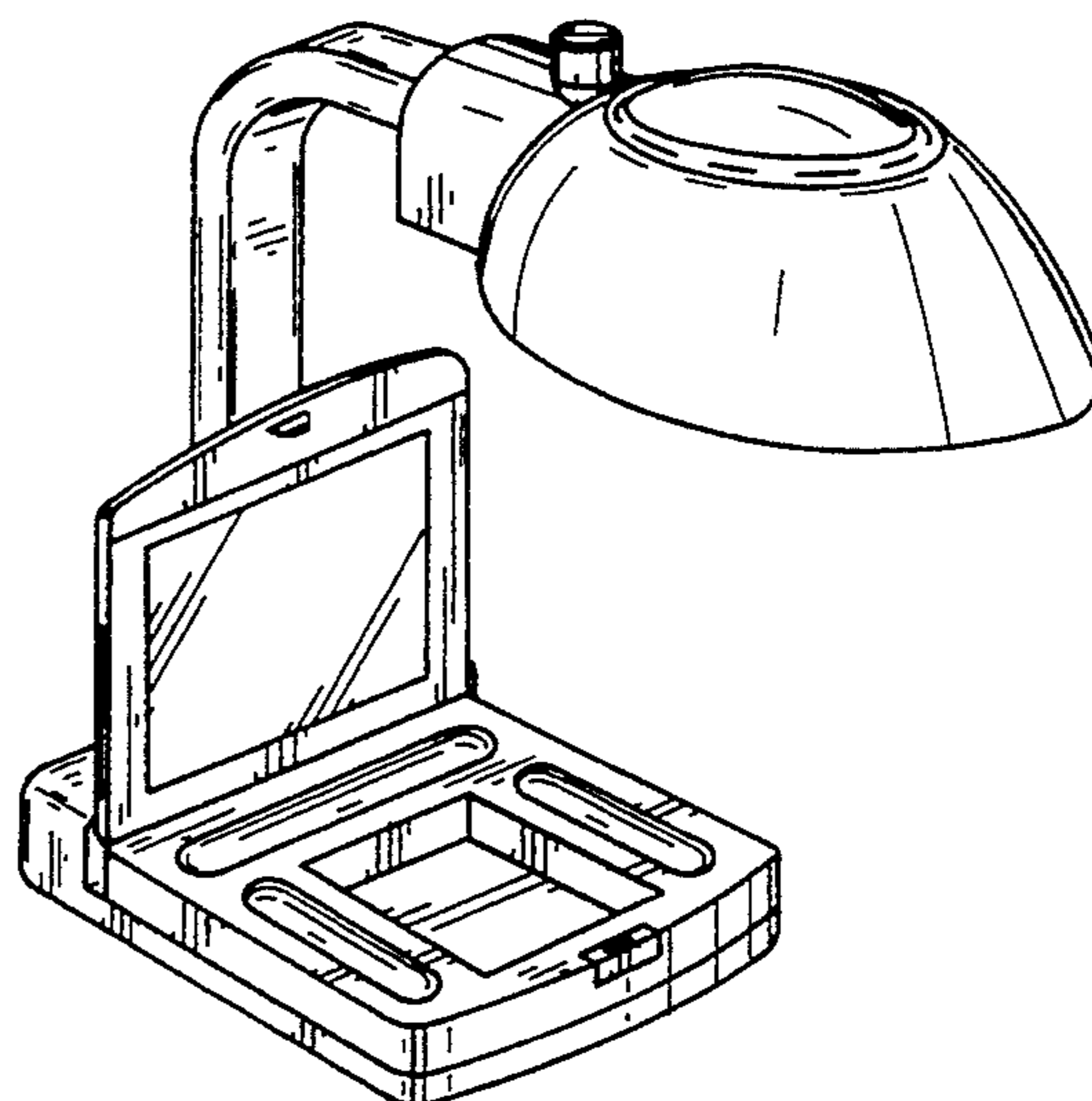
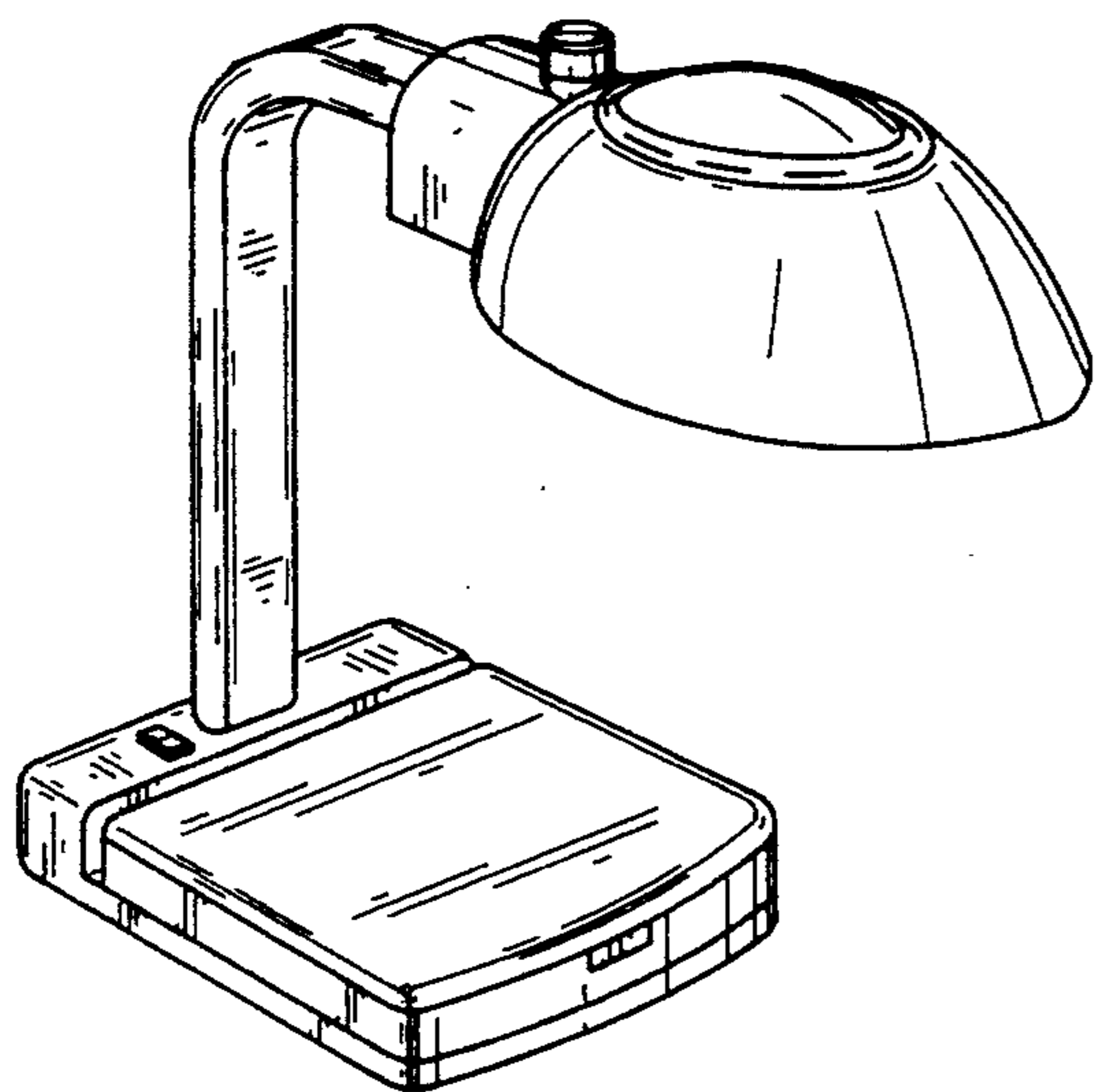
FIG. 4 is a left side elevational view thereof; the right side being a mirror image of that shown;

FIG. 5 is a top plan view thereof;

FIG. 6 is a bottom plan view thereof;

FIG. 7 is a front, top, left perspective view thereof with the lift off tray open; and,

FIG. 8 is a front, top, left perspective view thereof with the lift off tray removed from the base of the desk lamp.



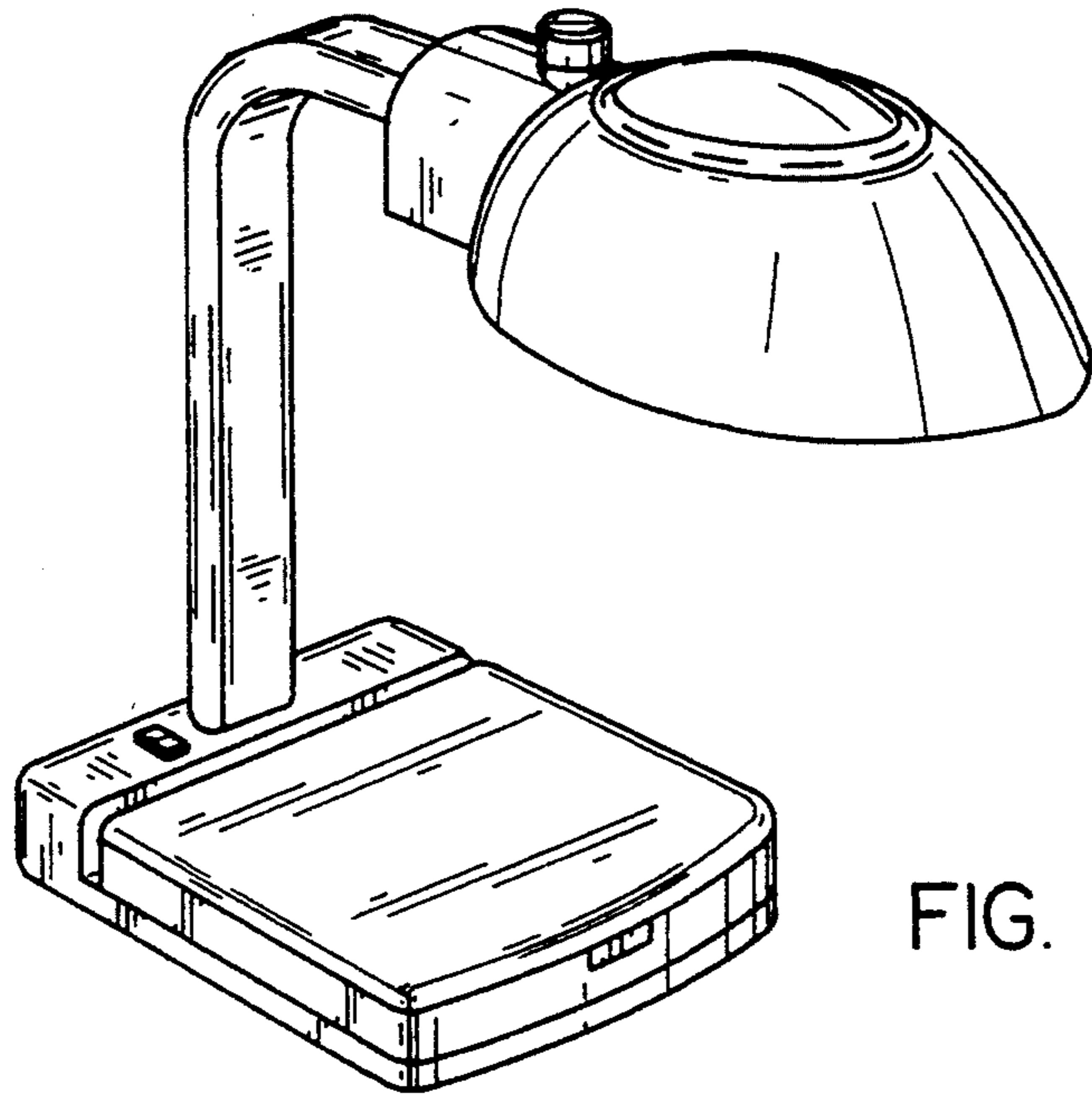


FIG. 1

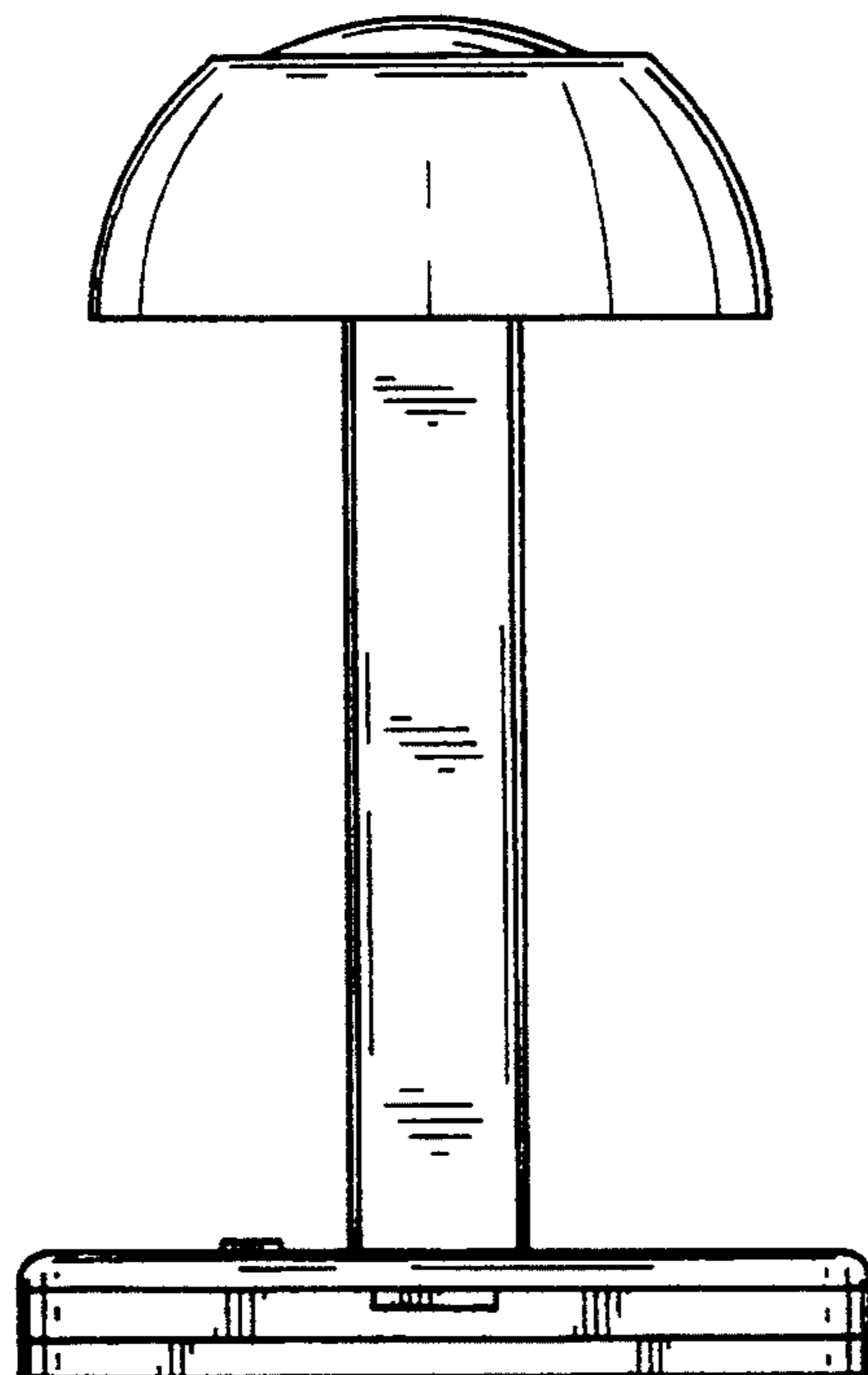


FIG. 2

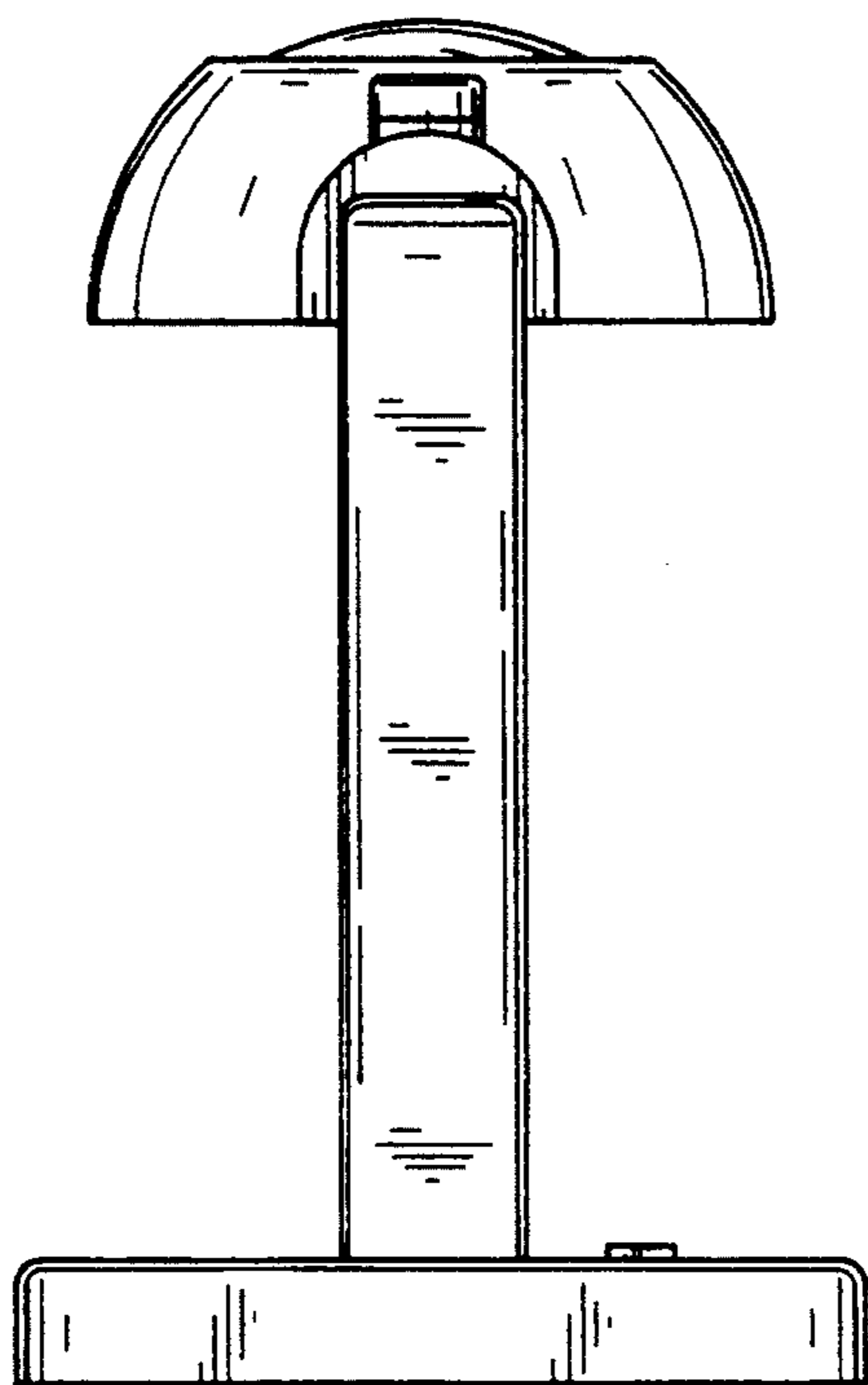


FIG. 3

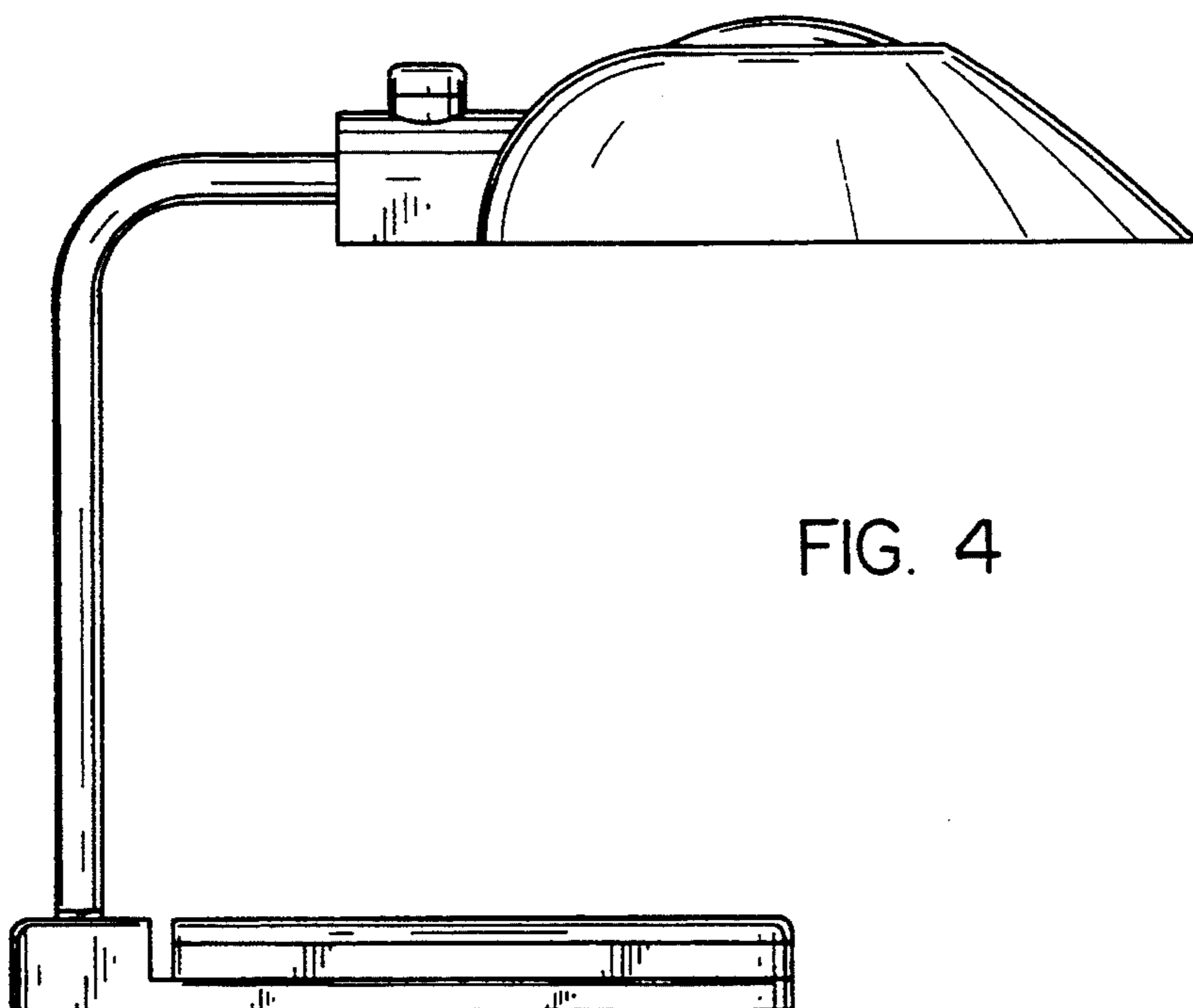


FIG. 4

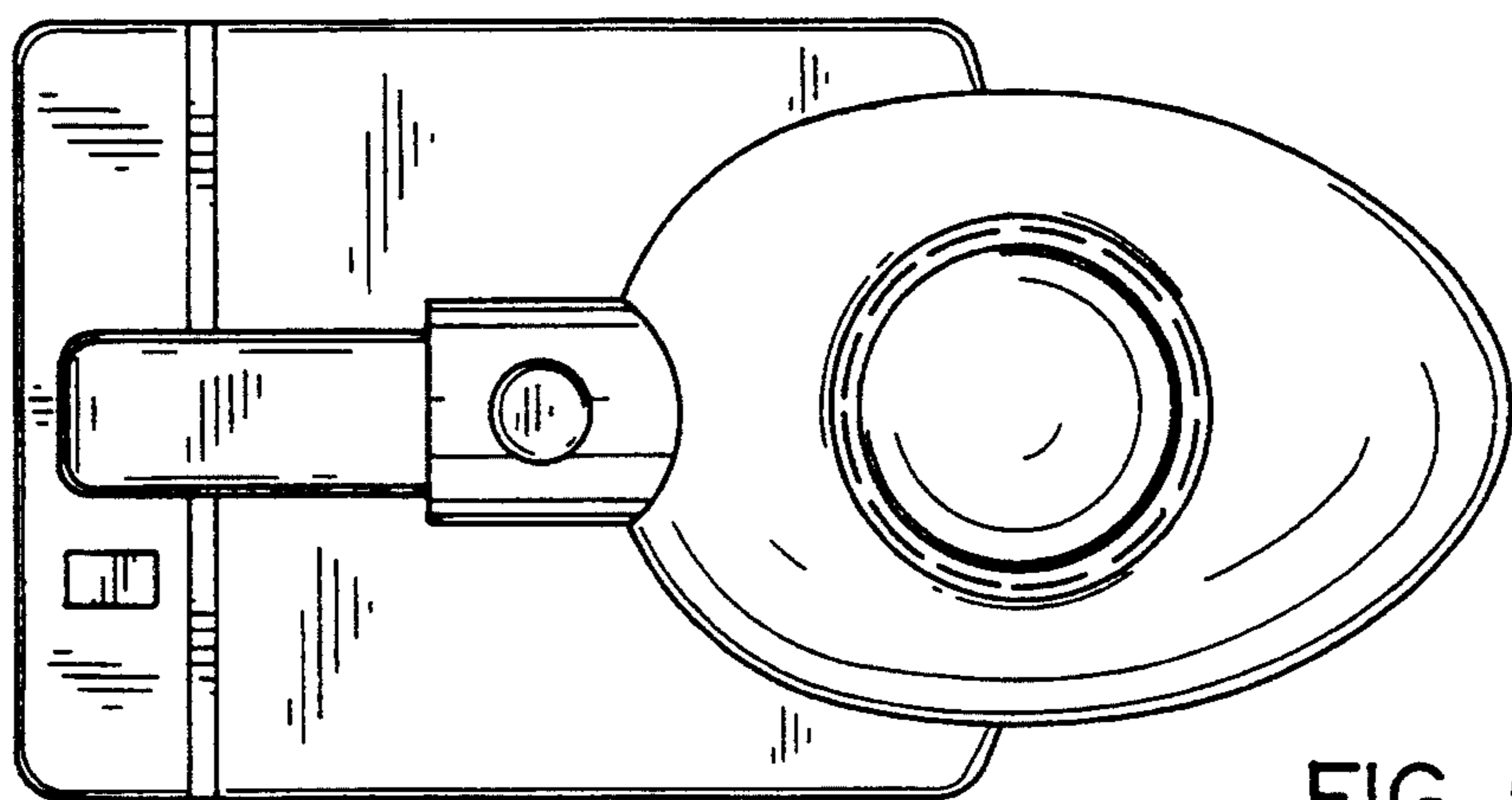


FIG. 5

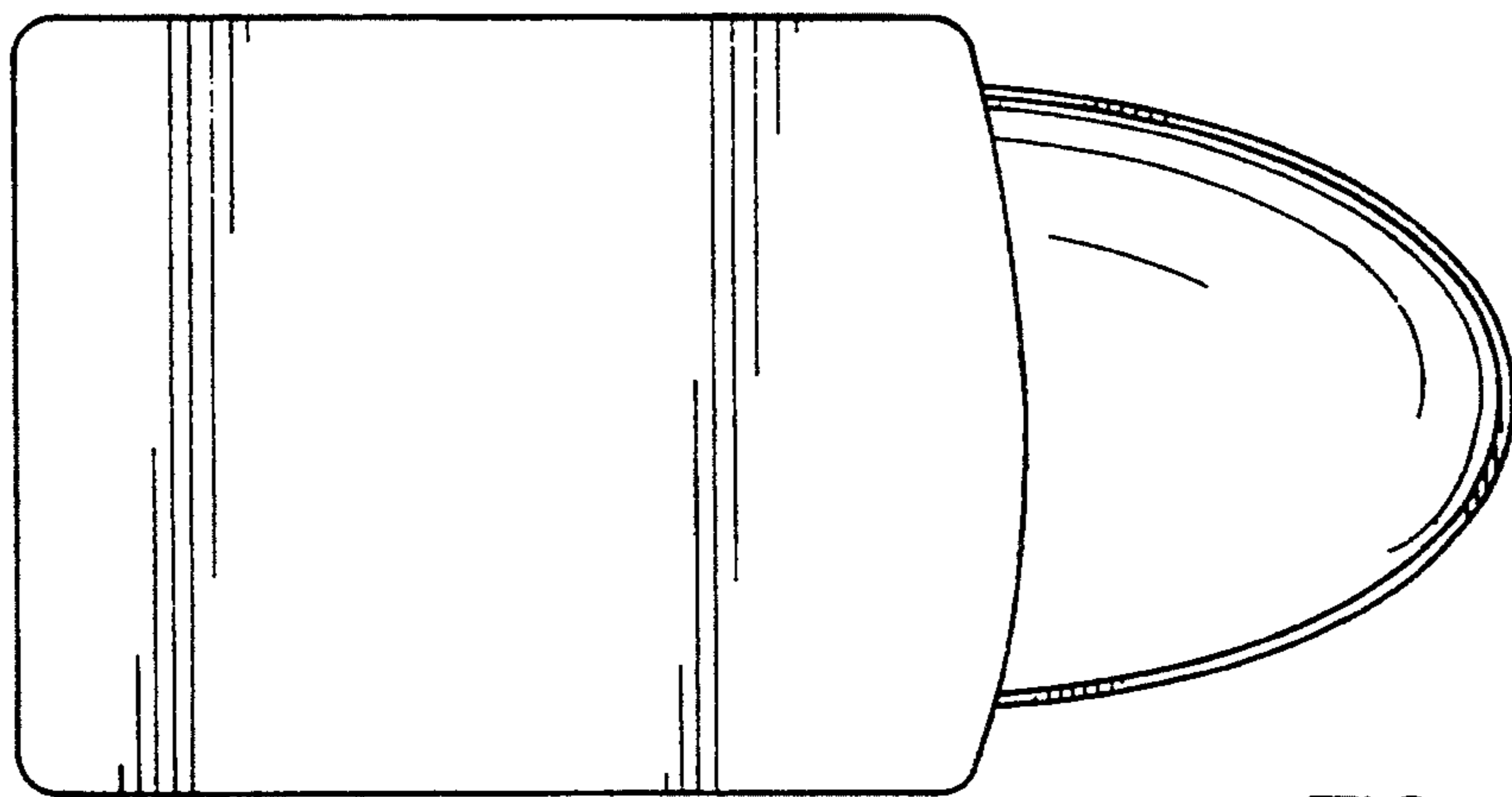


FIG. 6

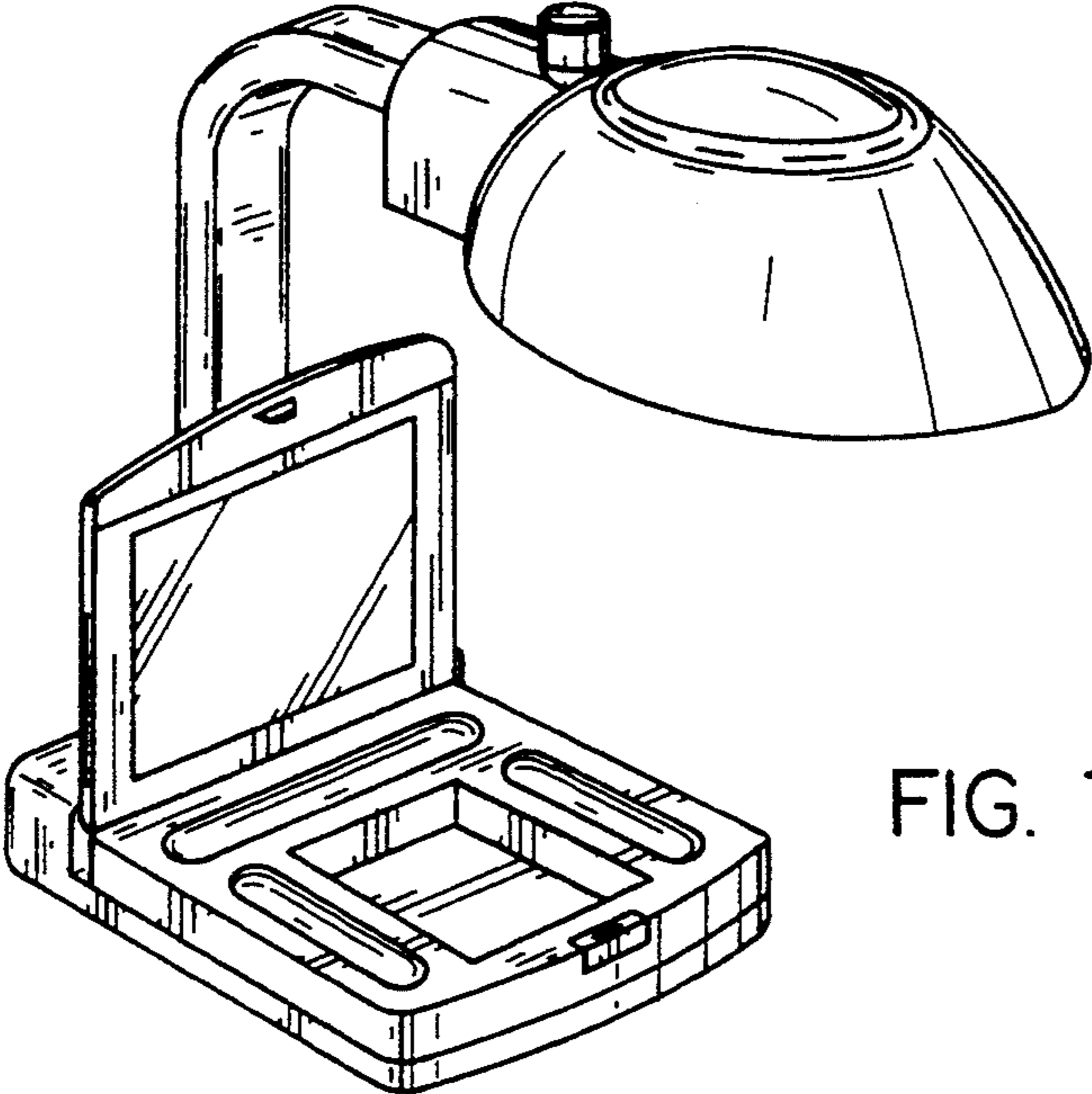


FIG. 7

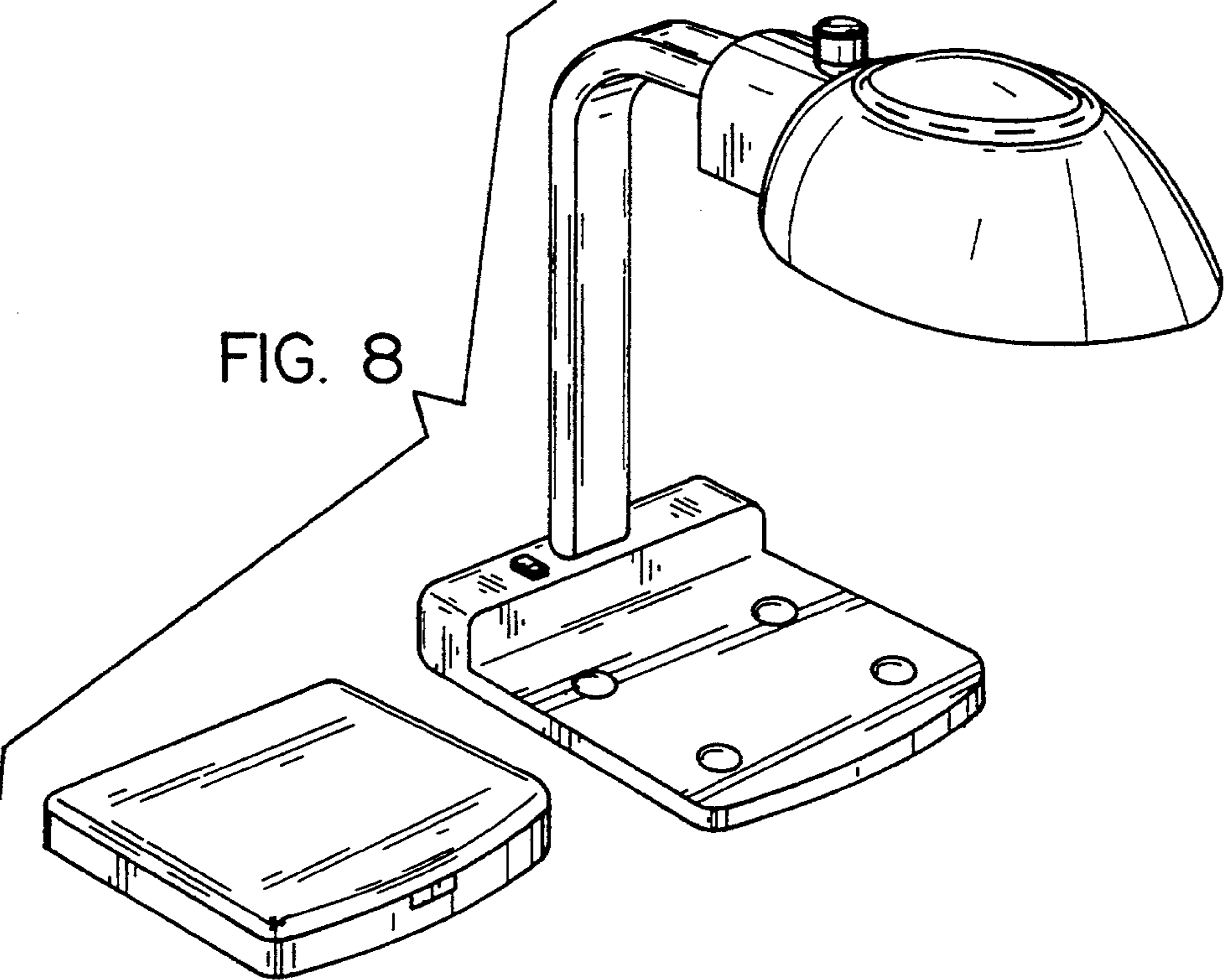


FIG. 8