



US00D351918S

United States Patent [19]
Poon

[11] **Patent Number: Des. 351,918**

[45] **Date of Patent: ** Oct. 25, 1994**

[54] **TWIN LAMP FLUORESCENT LANTERN**

[56] **References Cited**

[75] **Inventor: Tit Wing Poon, Hong Kong, Hong Kong**

U.S. PATENT DOCUMENTS

D. 312,317 11/1990 Tang D26/42
D. 334,437 3/1993 Poon D26/42
D. 343,242 1/1994 Poon D26/42
3,767,904 10/1973 Cook 362/184

[73] **Assignee: Flying Dragon Development Limited, Chai Wan, Hong Kong**

Primary Examiner—Susan J. Lucas
Attorney, Agent, or Firm—Oliff & Berridge

[**] **Term: 14 Years**

[57] **CLAIM**

The ornamental design for twin lamp fluorescent lantern, as shown.

[21] **Appl. No.: 8,145**

DESCRIPTION

[22] **Filed: May 11, 1993**

FIG. 1 is a top plan view of the article the subject of my invention;

FIG. 2 is an underplan view of the above article;

FIG. 3 is a view from one side of the above article;

FIG. 4 is a view from the opposite side to that of FIG. 3;

FIG. 5 is an end view of the article;

FIG. 6 is a view from the opposite end of FIG. 5; and,

FIG. 7 is a perspective view of the article.

[30] **Foreign Application Priority Data**

Mar. 4, 1993 [GB] United Kingdom 2029579

[52] **U.S. Cl. D26/42**

[58] **Field of Search 362/157, 158, 183, 184, 362/188-203; D26/37-50**

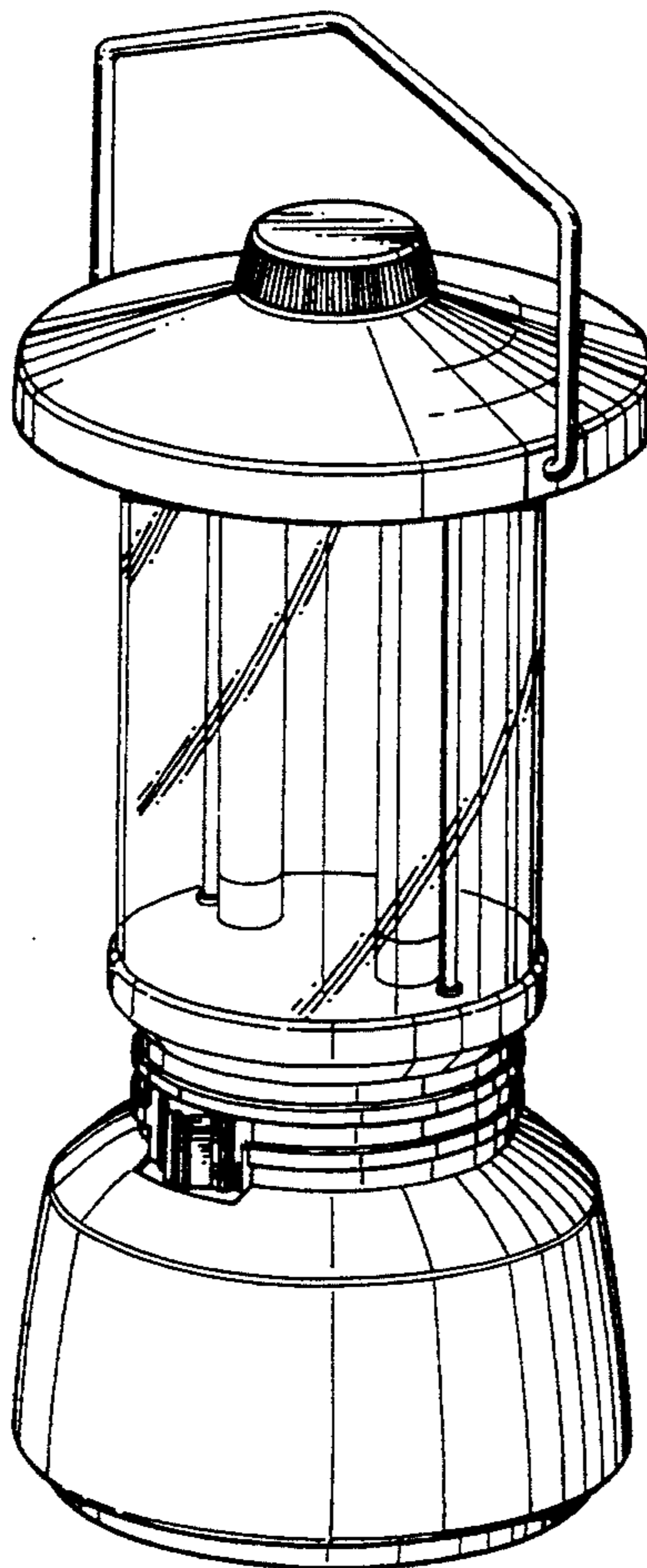


FIG. 1

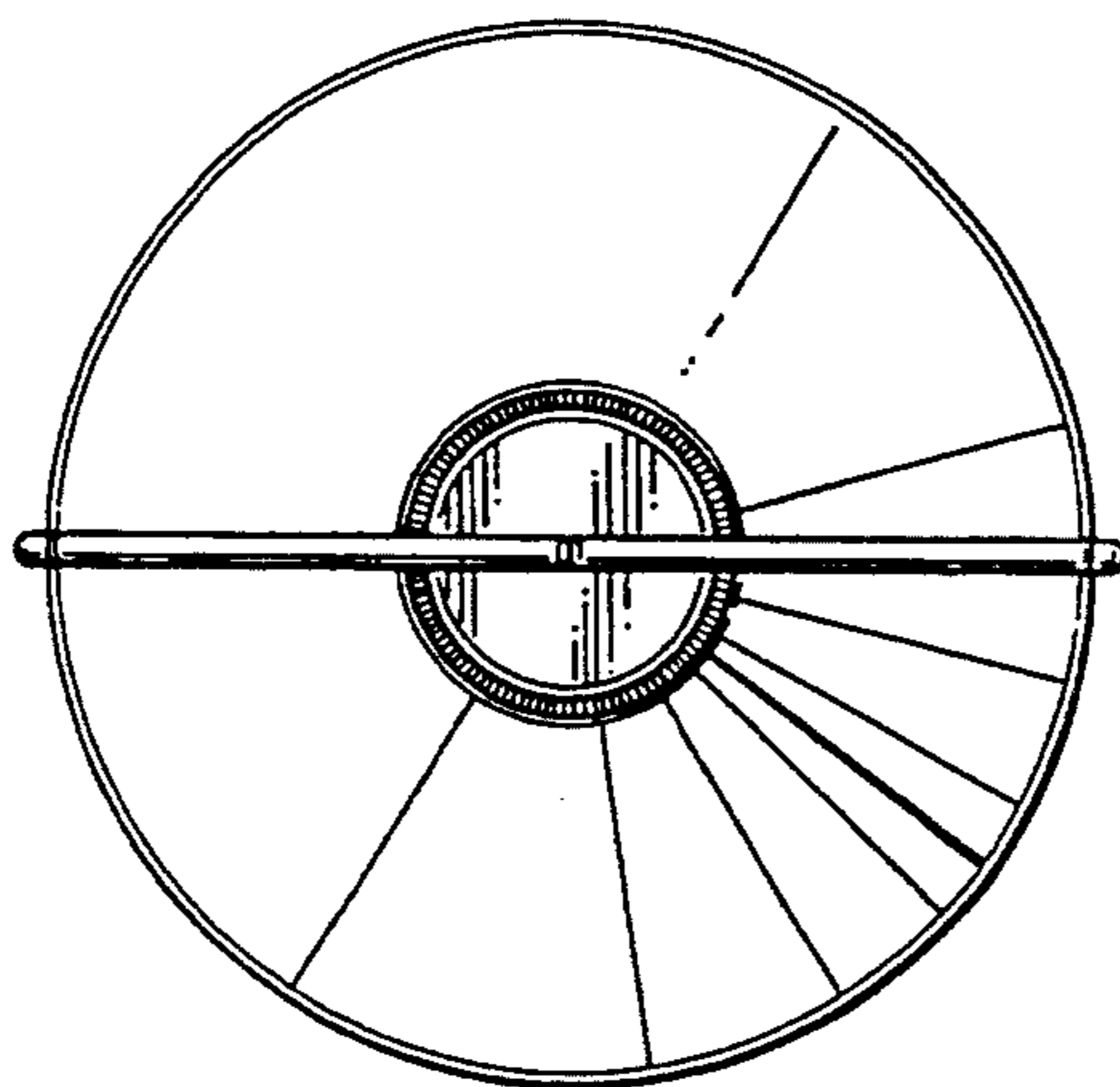


FIG. 2

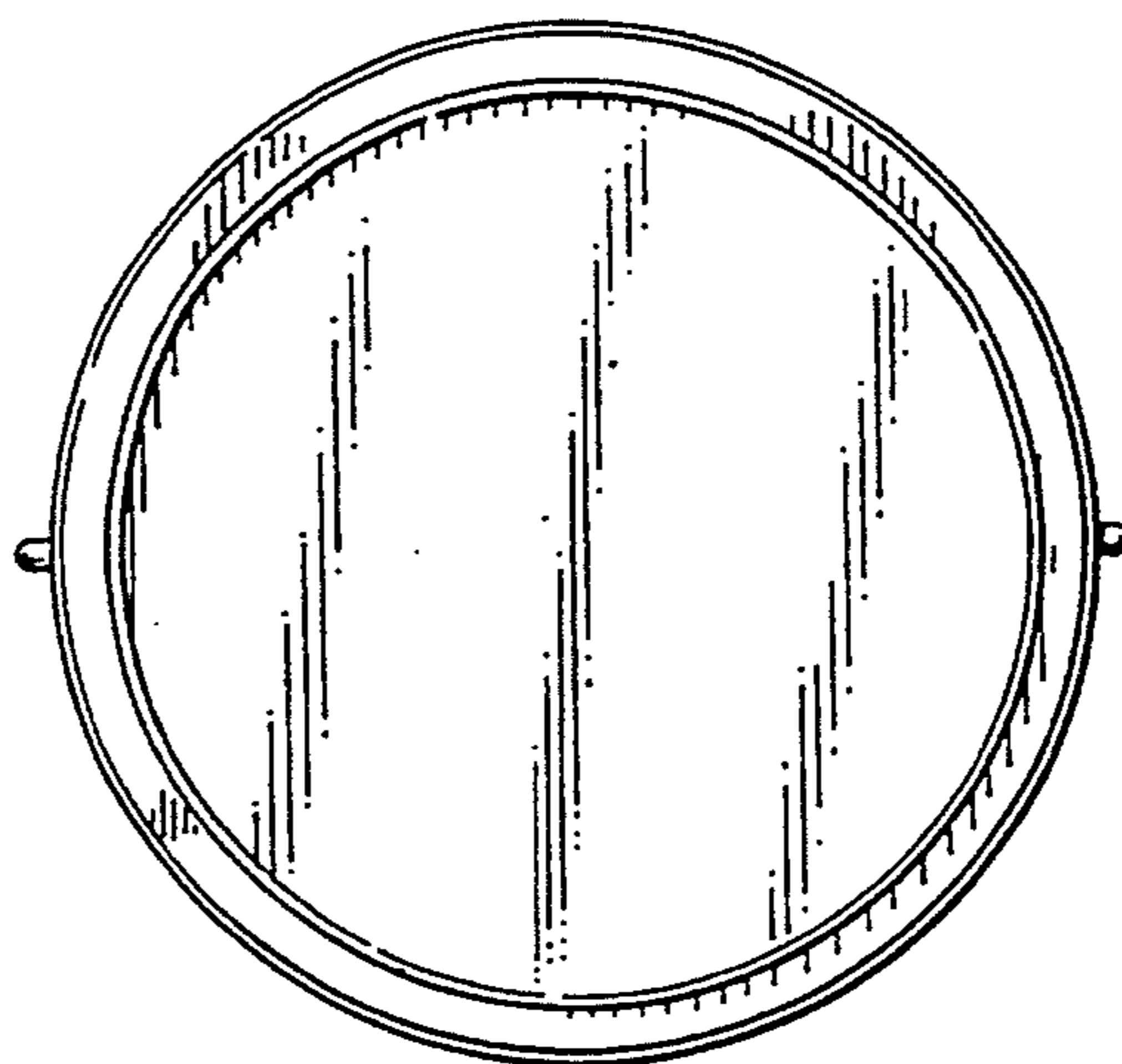


FIG. 5

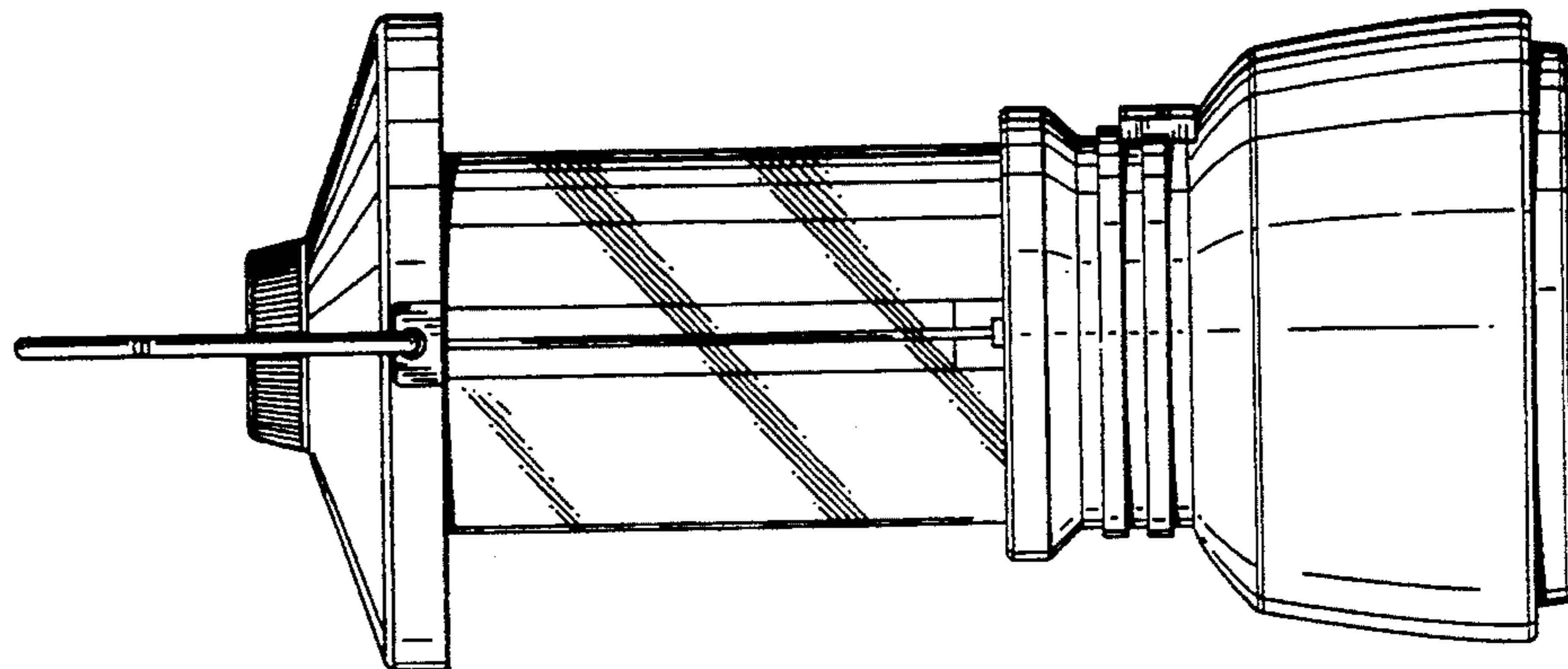


FIG. 4

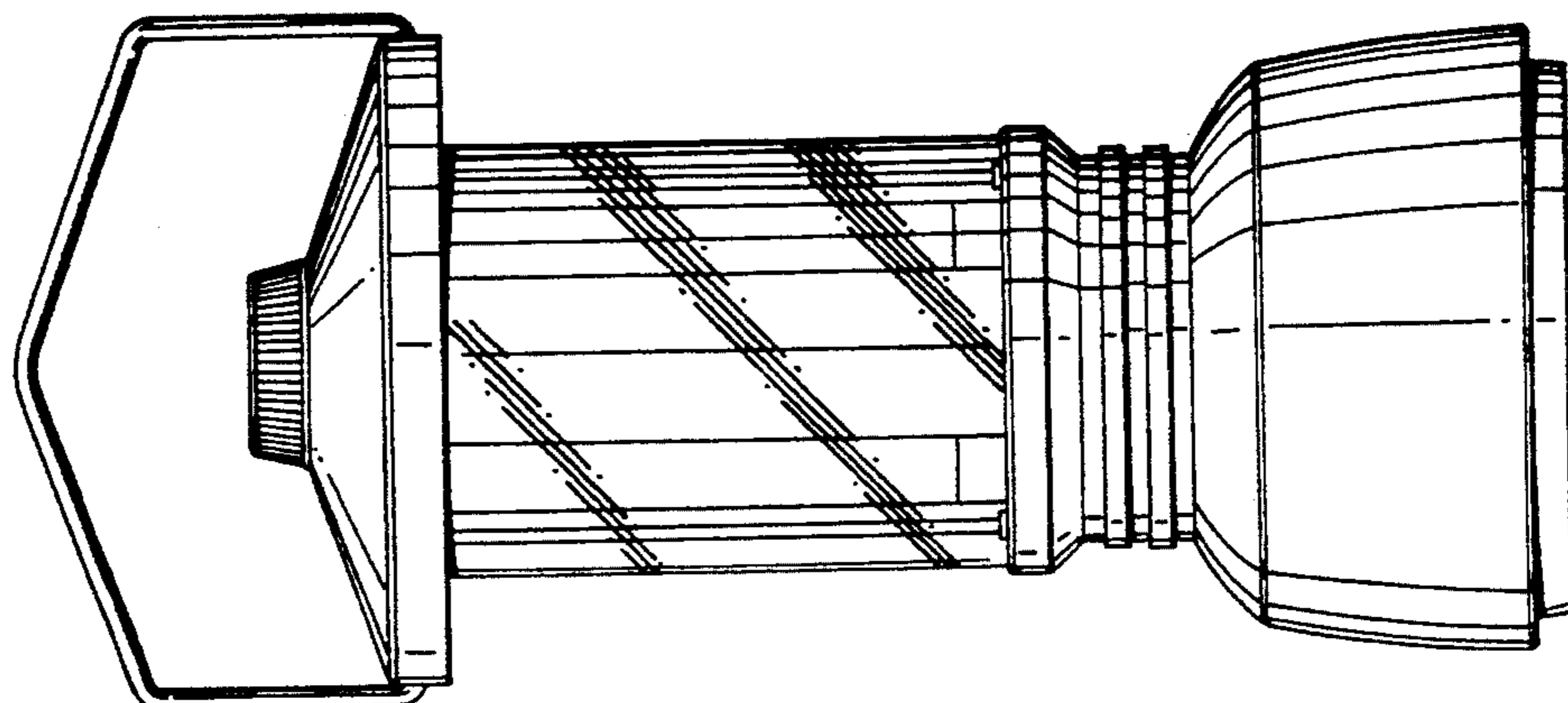


FIG. 3

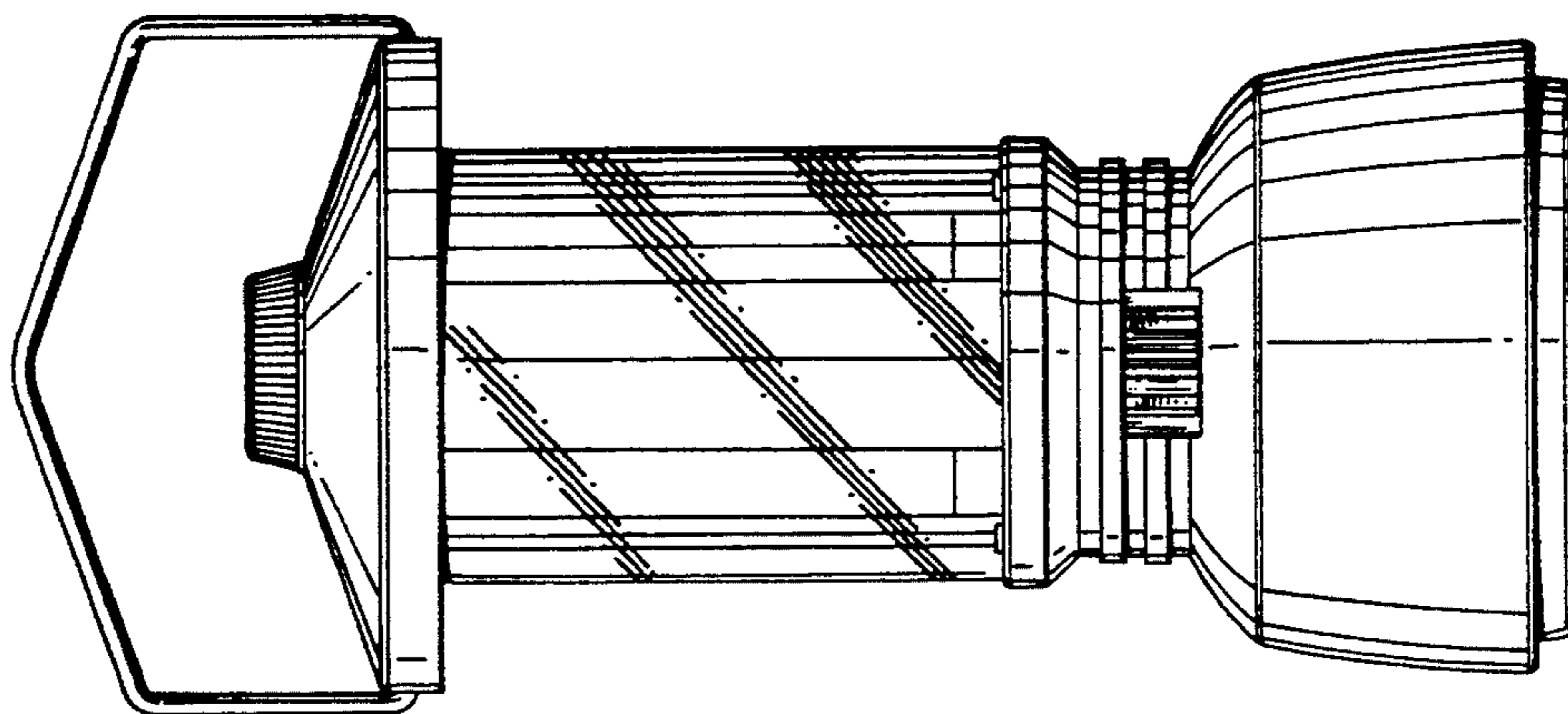


FIG. 6

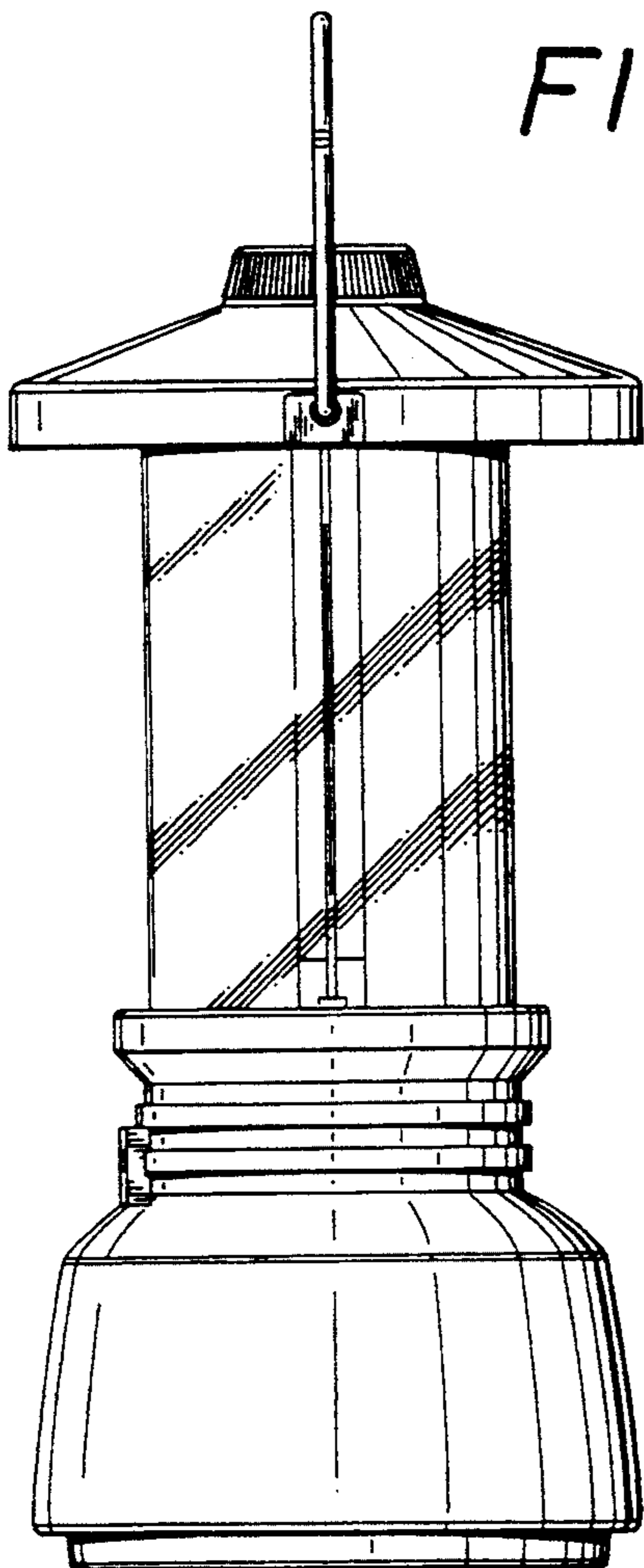


FIG. 7

