



US00D351916S

United States Patent [19]
Goble

[11] **Patent Number: Des. 351,916**
[45] **Date of Patent: ** Oct. 25, 1994**

[54] **VEHICLE WHEEL WELL LIGHT**
[76] **Inventor: Rowland H. Goble, 145 W. Crystal Lake Ave., Lake Mary, Fla. 32746-2913**
[**] **Term: 14 Years**
[21] **Appl. No.: 13,566**
[22] **Filed: Sep. 27, 1993**
[52] **U.S. Cl. D26/28**
[58] **Field of Search 362/61, 74, 80.1, 80, 362/83, 83.2, 147, 432, 362; D26/28-36, 72, 85, 87**

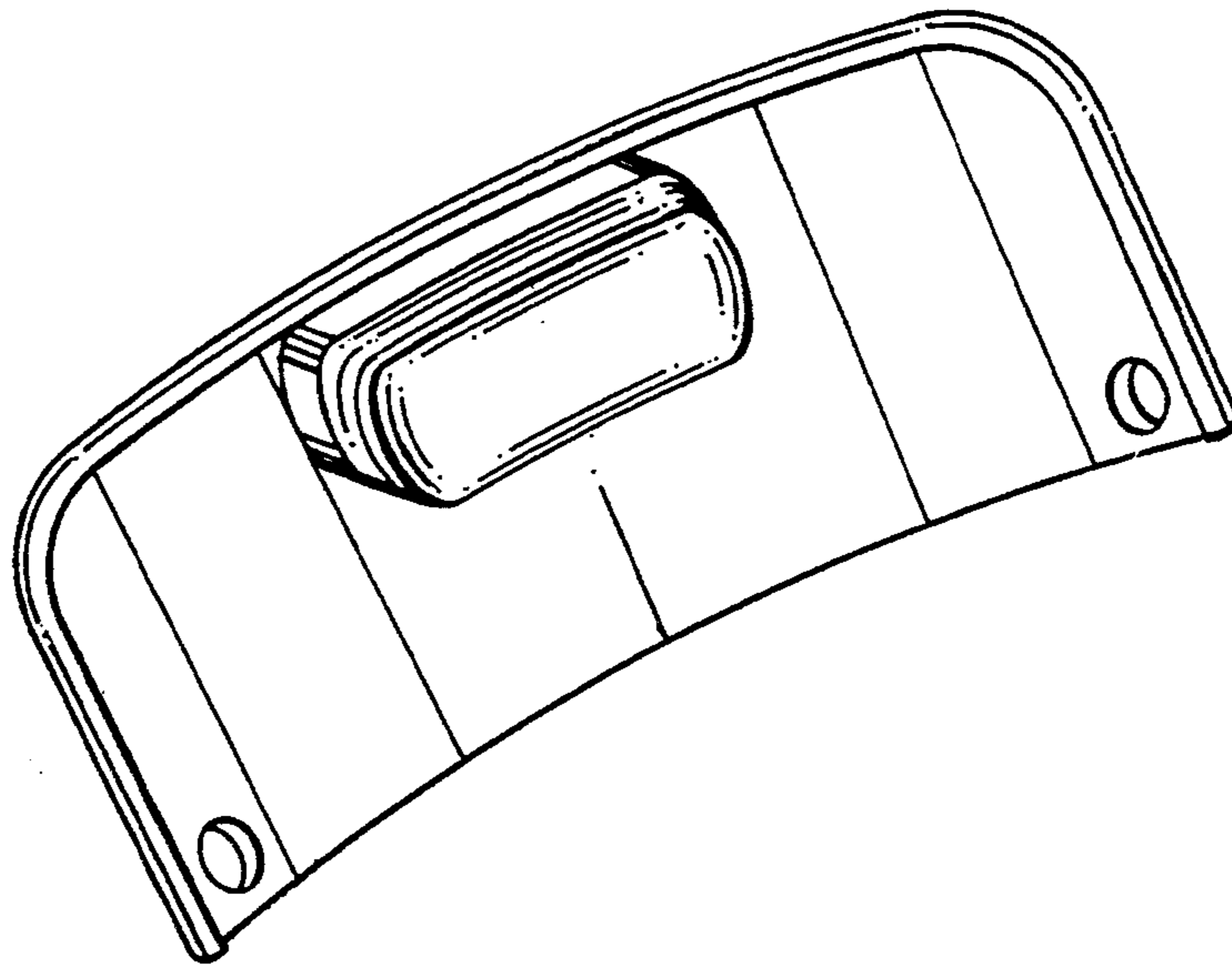
3,005,089 10/1961 Robbins 362/80
Primary Examiner—Wallace R. Burke
Assistant Examiner—Marcus Jackson
Attorney, Agent, or Firm—William M. Hobby, III

[57] **CLAIM**
The ornamental design for a vehicle wheel well light, as shown.

DESCRIPTION

FIG. 1 is a perspective view showing my new vehicle wheel well light;
FIG. 2 is a bottom plan view;
FIG. 3 is a top plan view;
FIG. 4 is a rear side elevation;
FIG. 5 is a left side elevation;
FIG. 6 is a right side elevation; and,
FIG. 7 is a front side elevation.

[56] **References Cited**
U.S. PATENT DOCUMENTS
D. 283,555 4/1986 Zevi D26/85
D. 336,964 6/1993 Janssen et al. D26/28



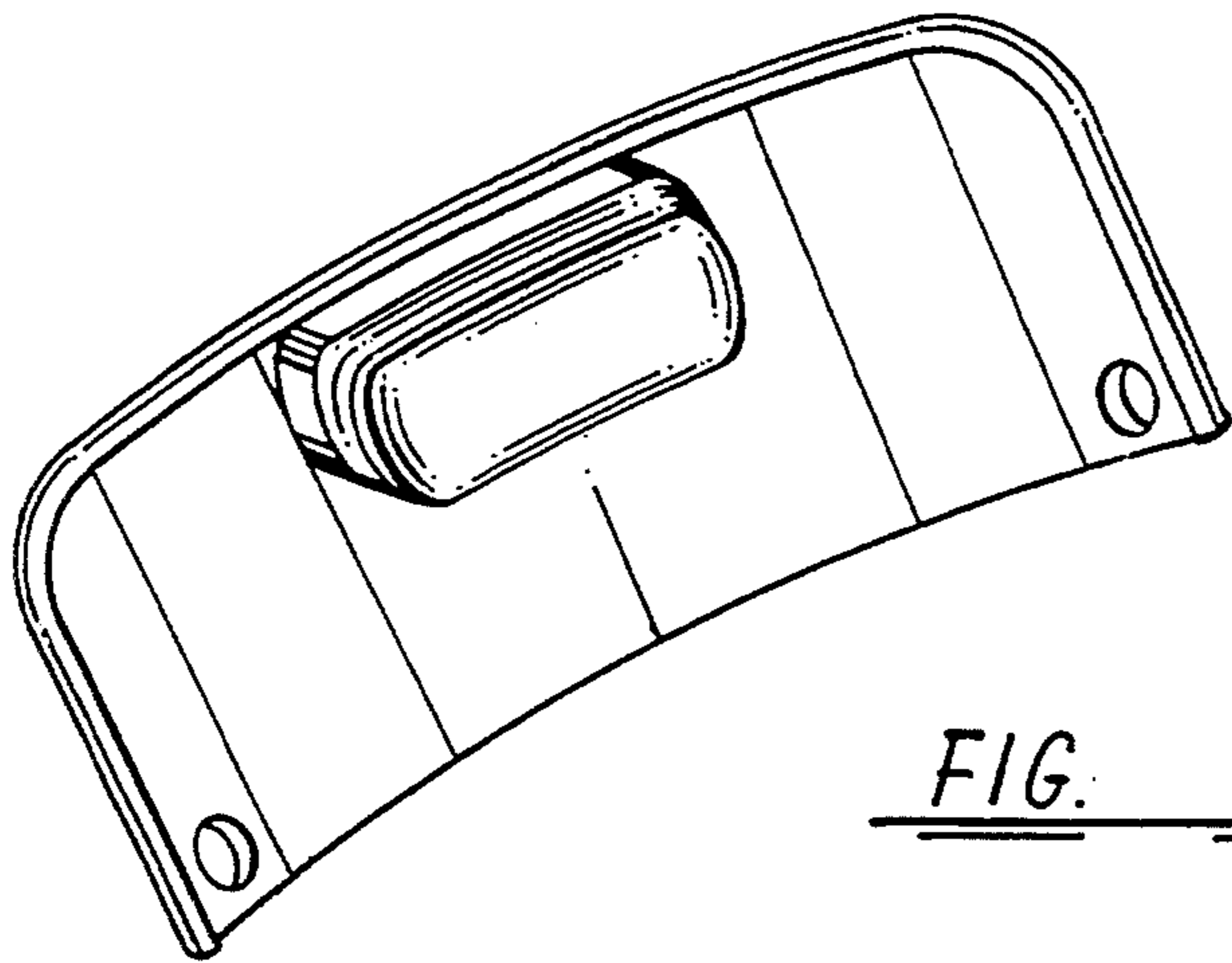


FIG. 1

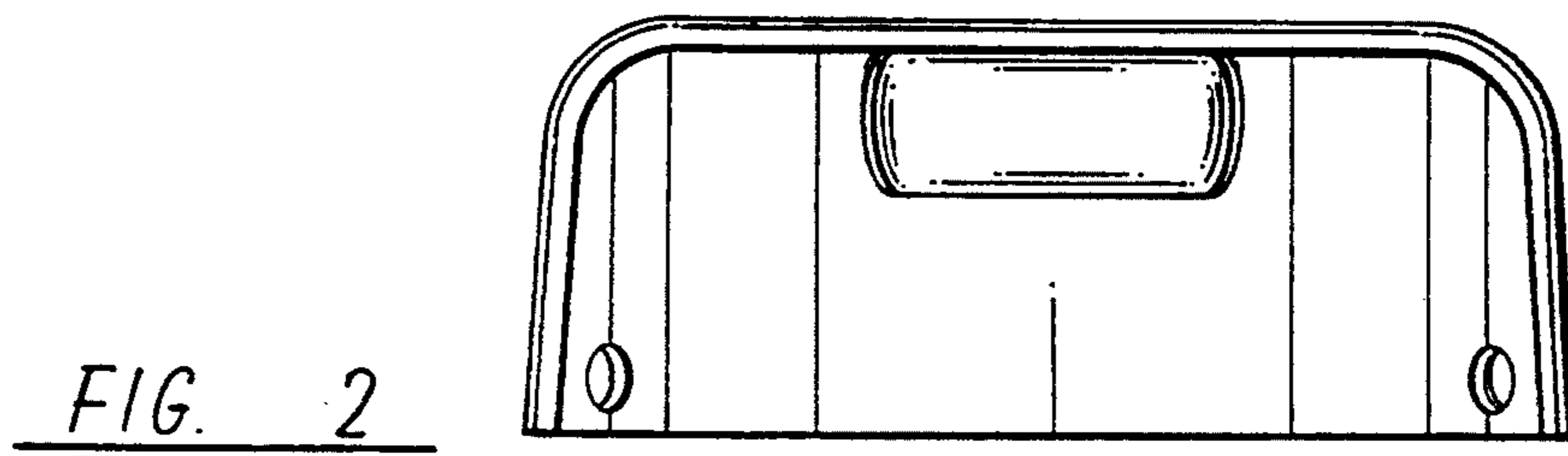


FIG. 2

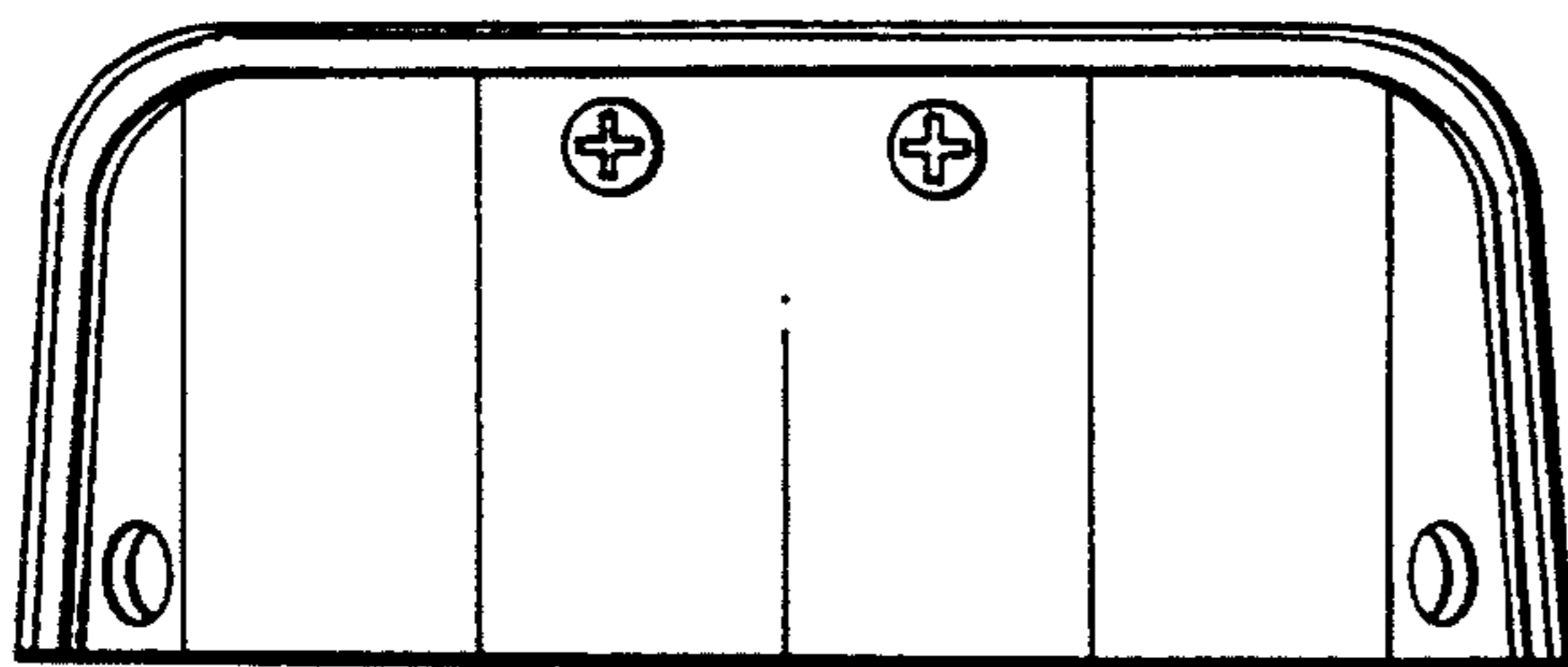


FIG. 3

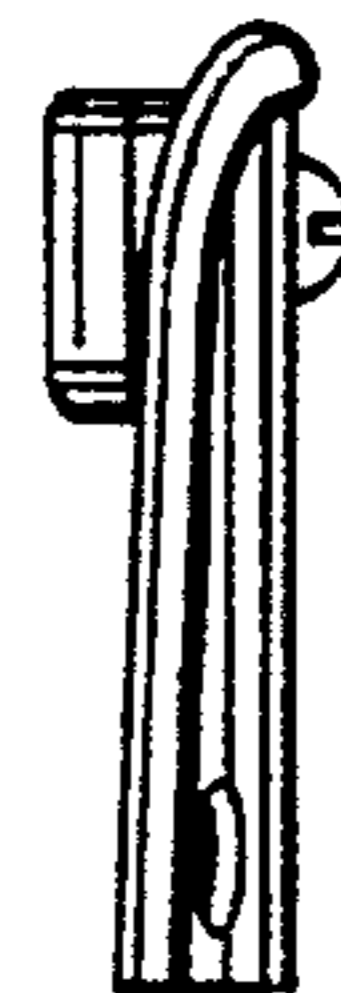


FIG. 4

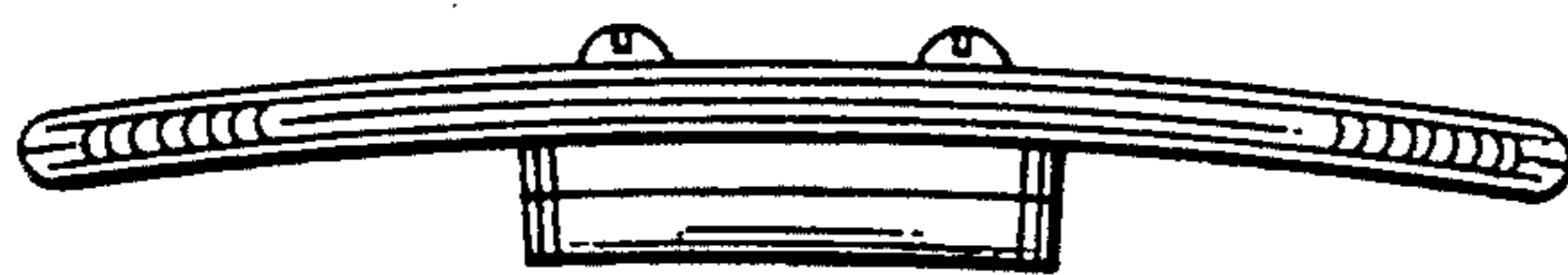


FIG. 5

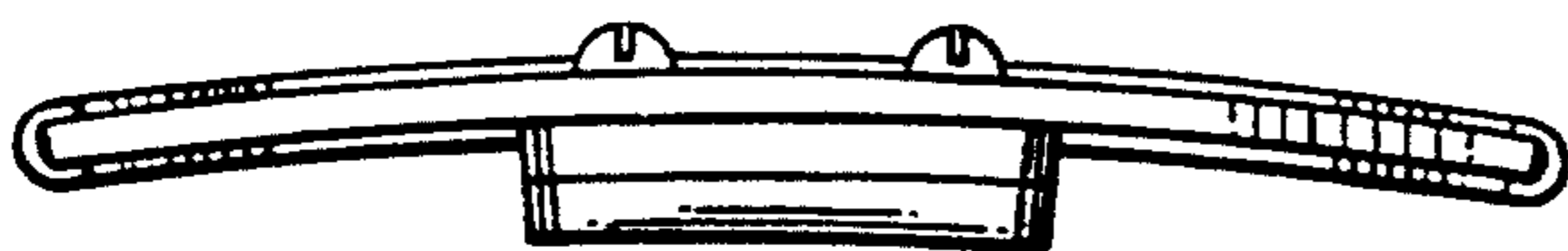


FIG. 6



FIG. 7