



US00D351914S

United States Patent [19]
Landry, Jr.

[11] **Patent Number: Des. 351,914**
[45] **Date of Patent: ** Oct. 25, 1994**

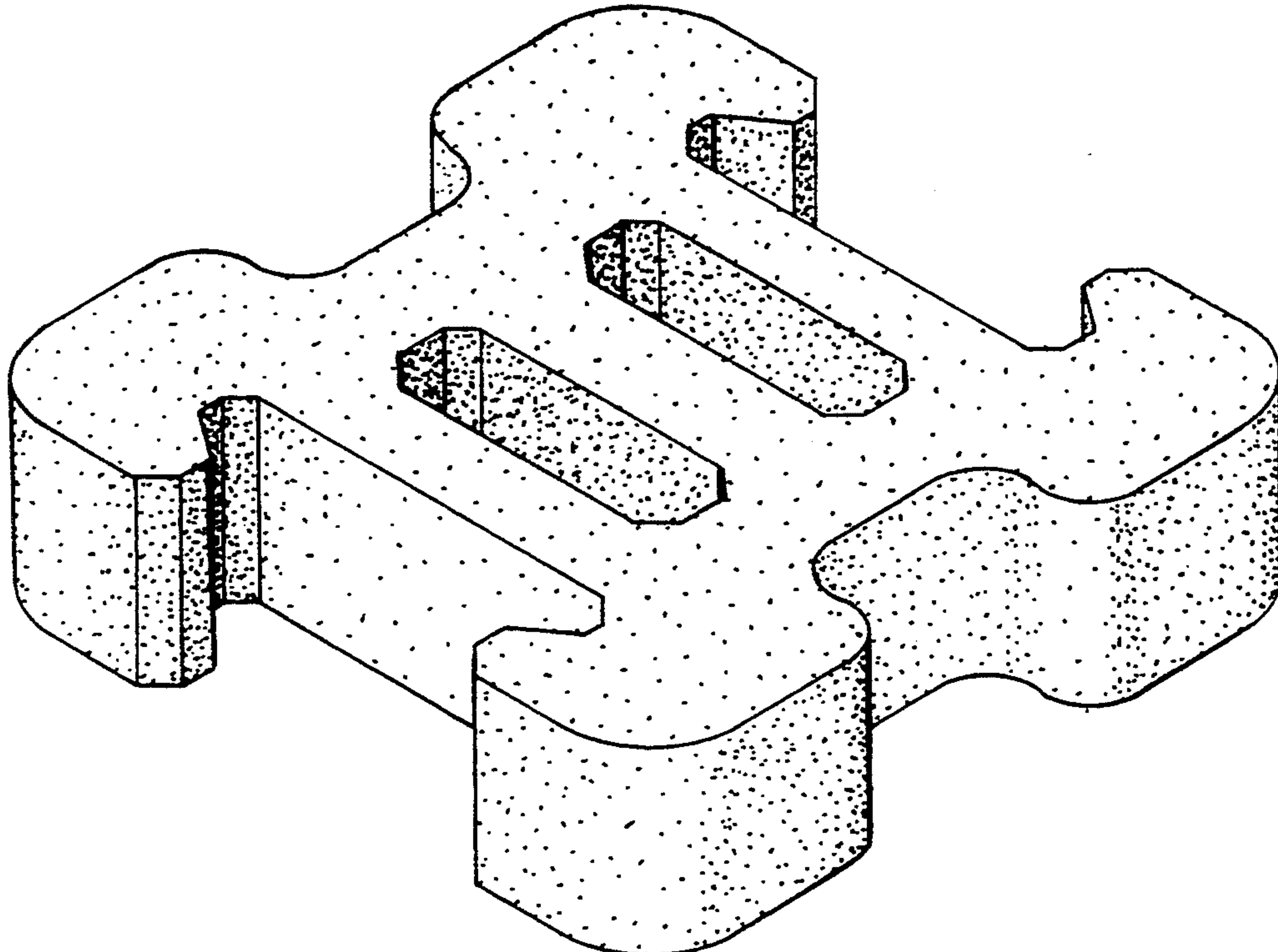
[54] **SOIL EROSION PREVENTION BLOCK**
[76] **Inventor: Kossuth J. Landry, Jr., P.O. Box 518, Humble, Tex. 77347**
[**] **Term: 14 Years**
[21] **Appl. No.: 5,230**
[22] **Filed: Feb. 22, 1993**
[52] **U.S. Cl. D25/115**
[58] **Field of Search 52/596, 602, 607-609; 405/284, 286; D25/112-115, 118, 151**

[56] **References Cited**
U.S. PATENT DOCUMENTS
D. 317,048 5/1991 Forsberg D25/114
1,350,399 8/1920 Wilson 52/609
3,222,830 12/1965 Ivang 52/607
4,413,924 11/1983 Ijima D25/113
4,514,949 5/1985 Crespo 52/607

Primary Examiner—A. Hugo Word
Assistant Examiner—Doris Clark
Attorney, Agent, or Firm—Kenneth A. Roddy

[57] **CLAIM**
The ornamental design for a soil erosion prevention block, as shown and described.

DESCRIPTION
FIG. 1 is a perspective view of a soil erosion prevention block showing my new design as seen from the top; FIG. 2 is a perspective view thereof as seen from the bottom; FIG. 3 is a top perspective view of a second embodiment of a soil erosion prevention block; FIG. 4 is a bottom perspective view thereof; FIG. 5 is a top perspective view of a third embodiment of a soil erosion prevention block; FIG. 6 is a bottom perspective view thereof; FIG. 7 is a top perspective view of a fourth embodiment of a soil erosion prevention block; FIG. 8 is a bottom perspective view thereof; FIG. 9 is a top perspective view of a fifth embodiment of a soil erosion prevention block; FIG. 10 is a bottom perspective view thereof; FIG. 11 is a top perspective view of a sixth embodiment of a soil erosion prevention block; and, FIG. 12 is a bottom perspective view thereof.



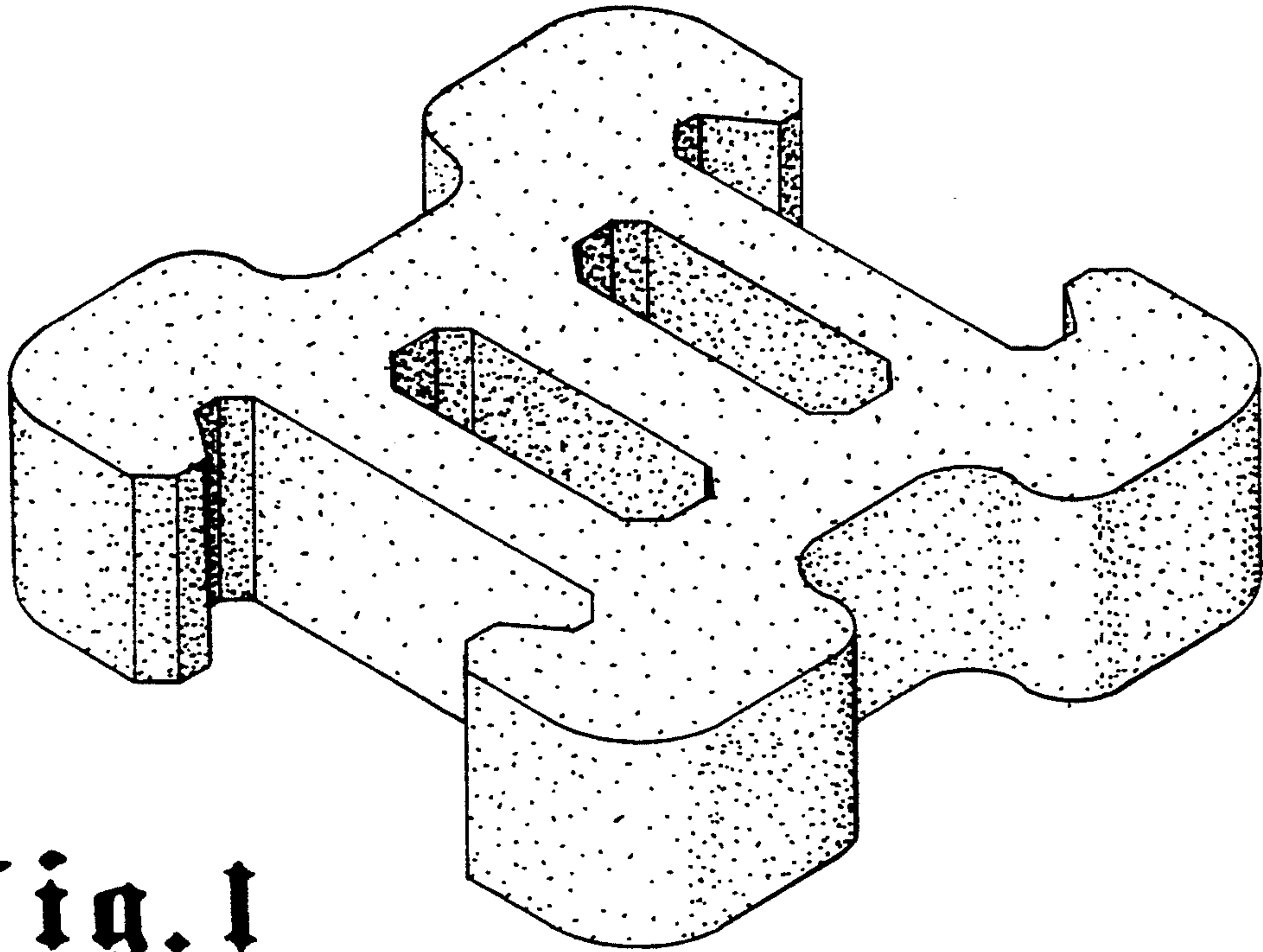


fig. 1

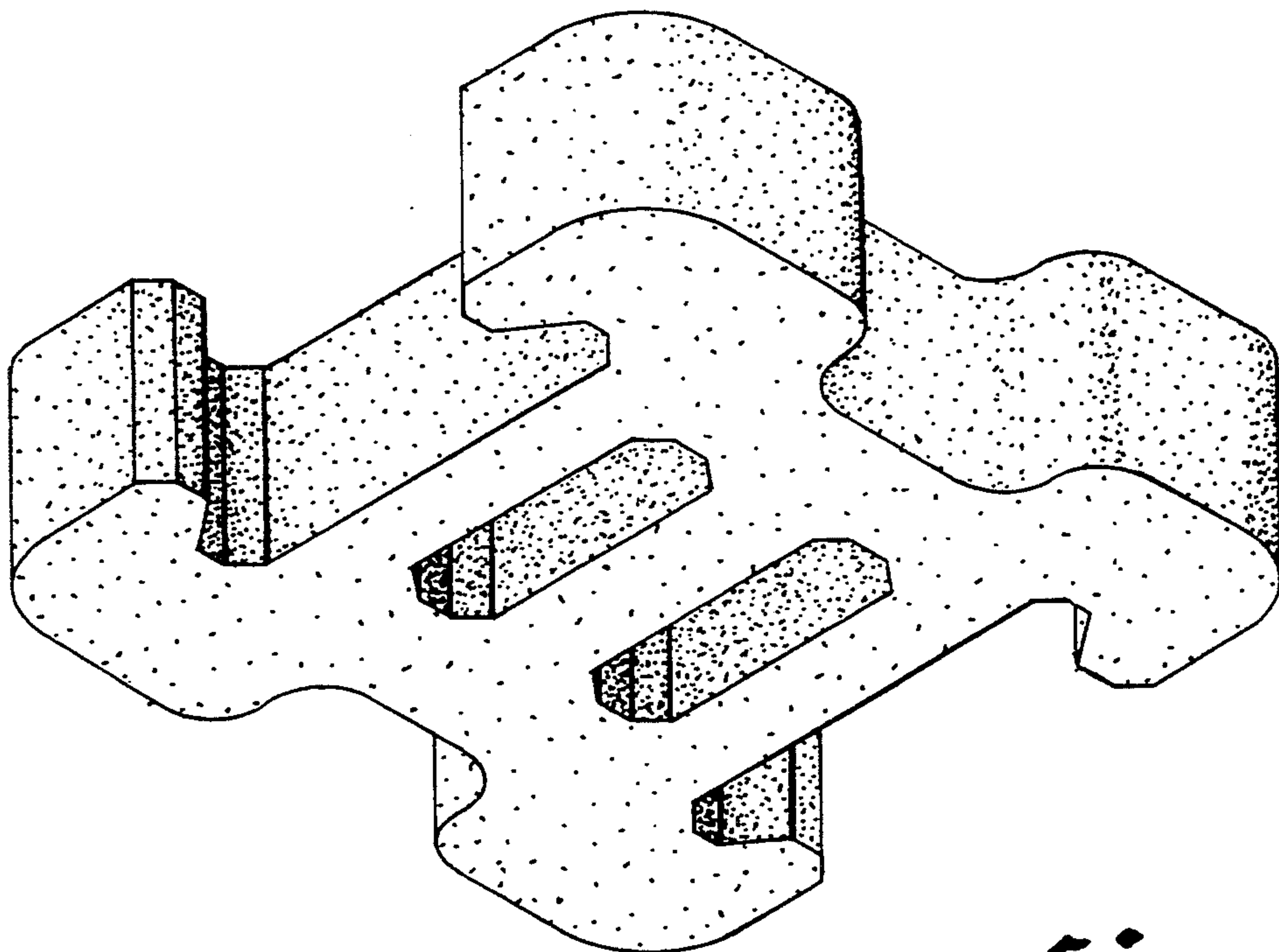


fig. 2

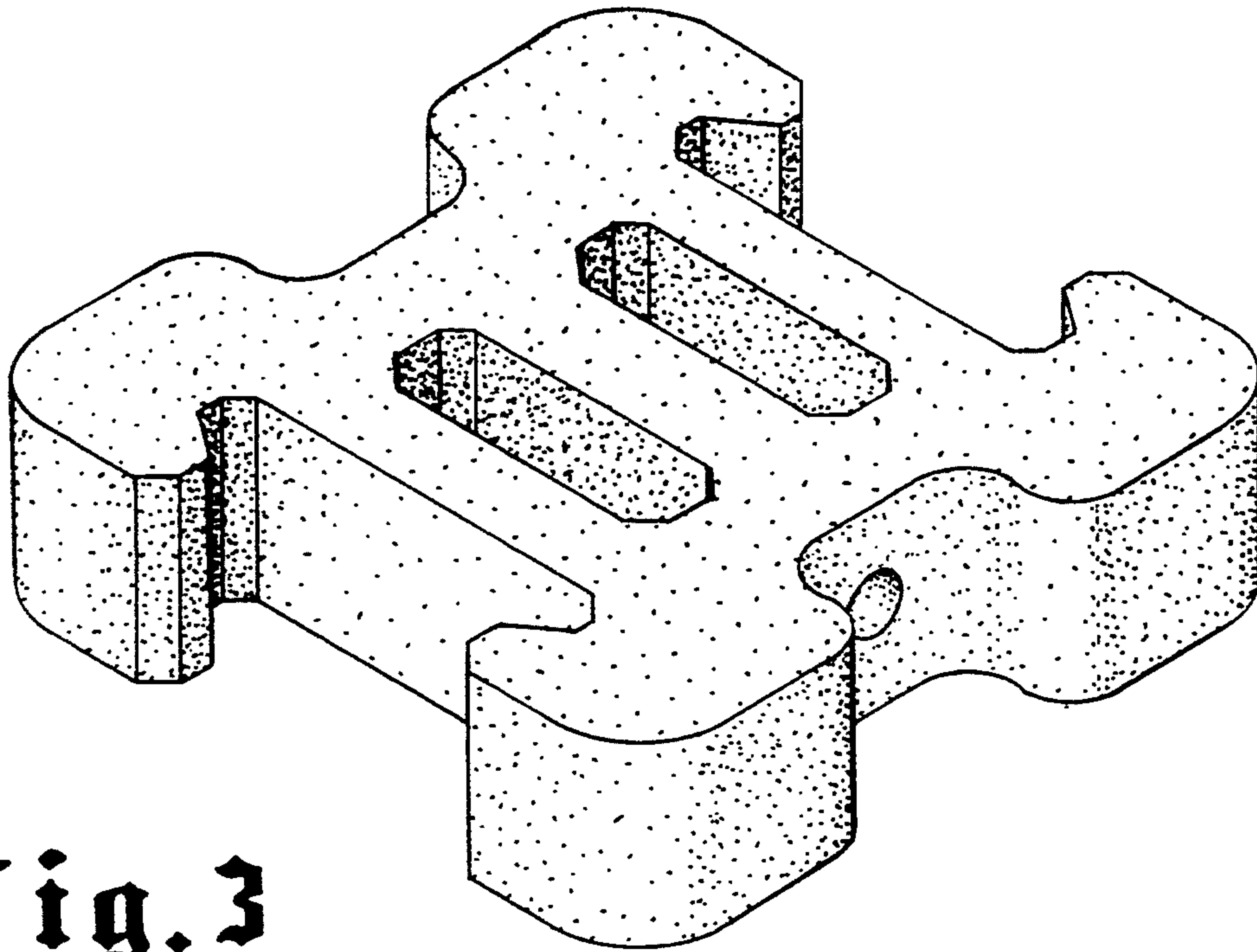


fig. 3

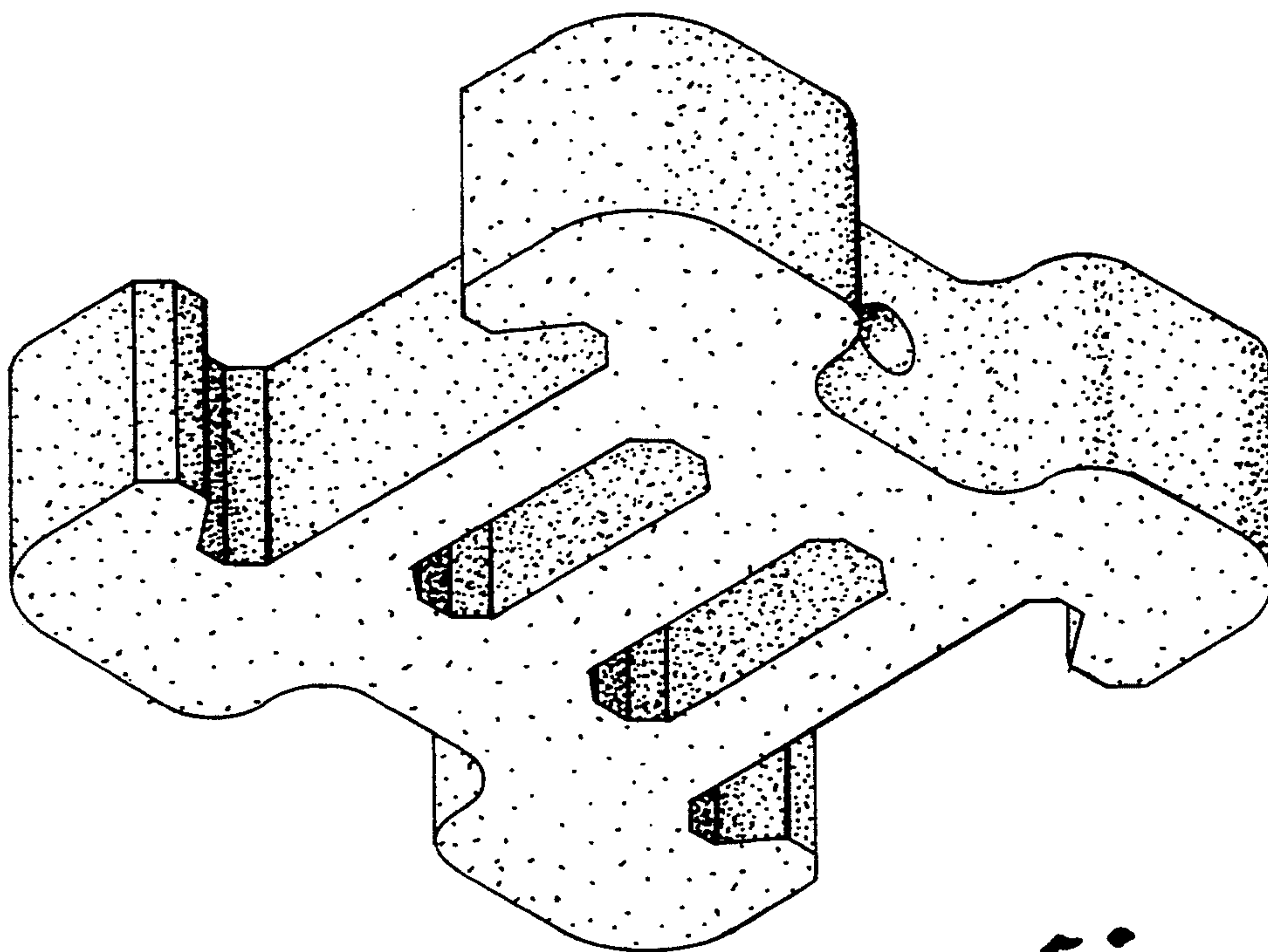


fig. 4

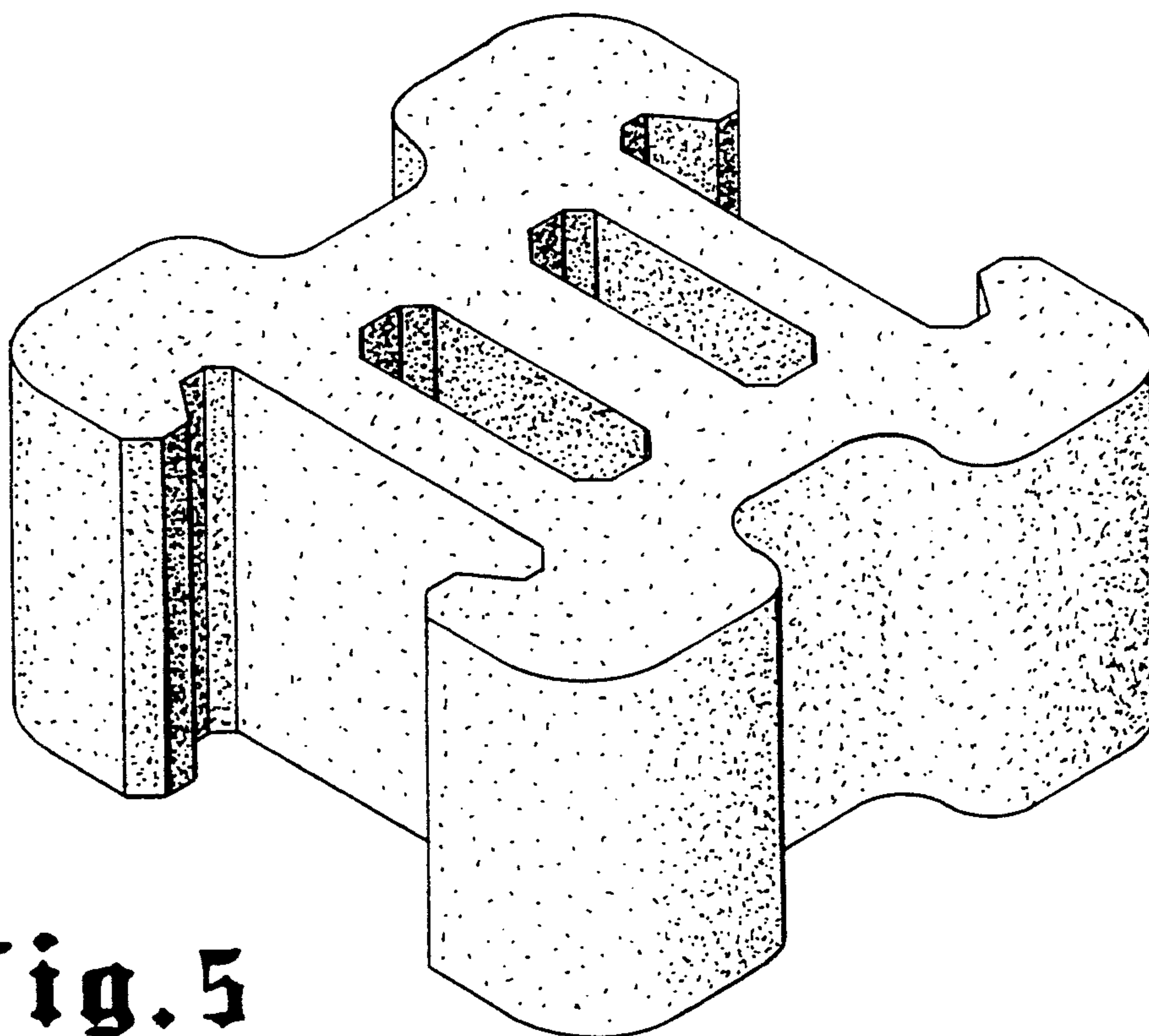


fig. 5

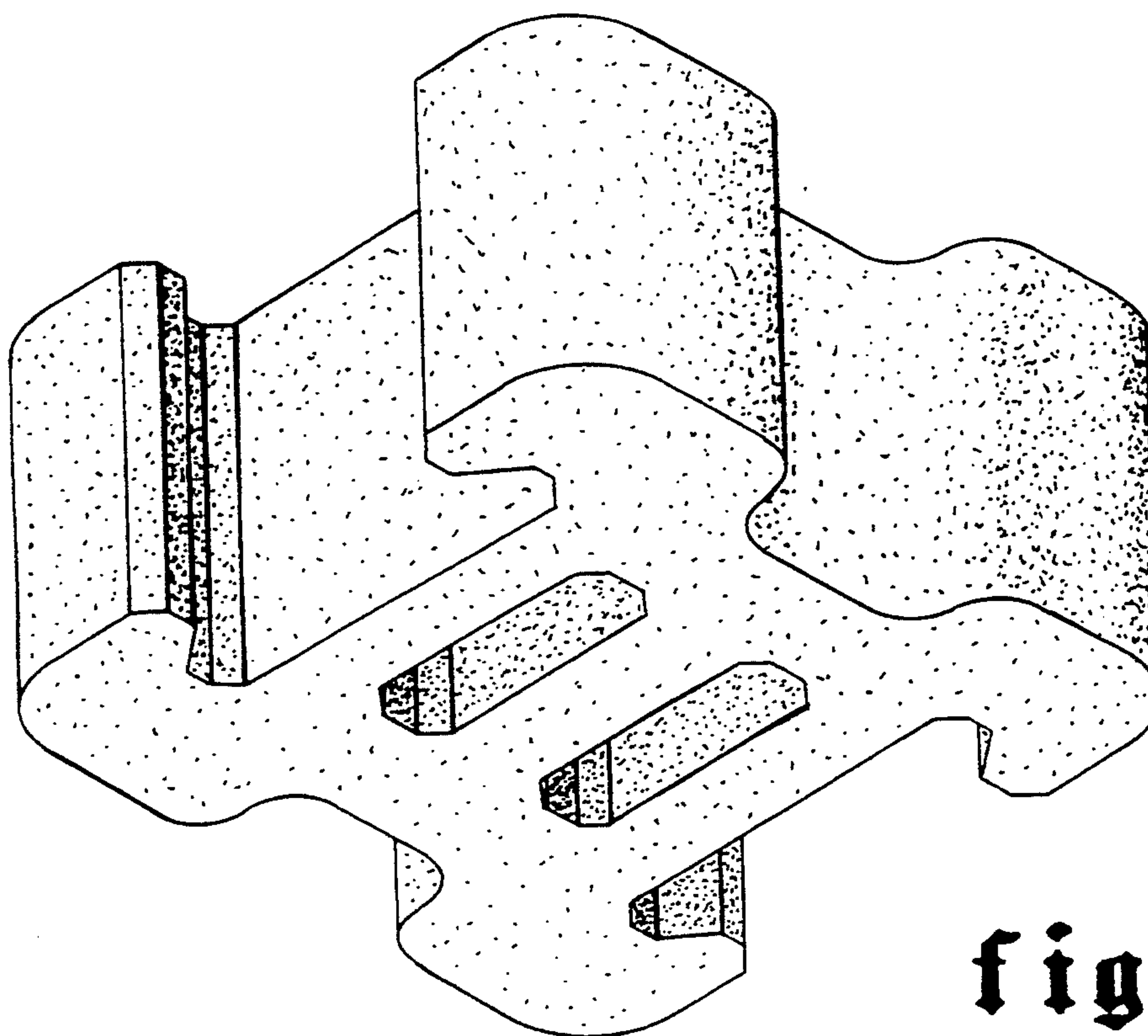


fig. 6

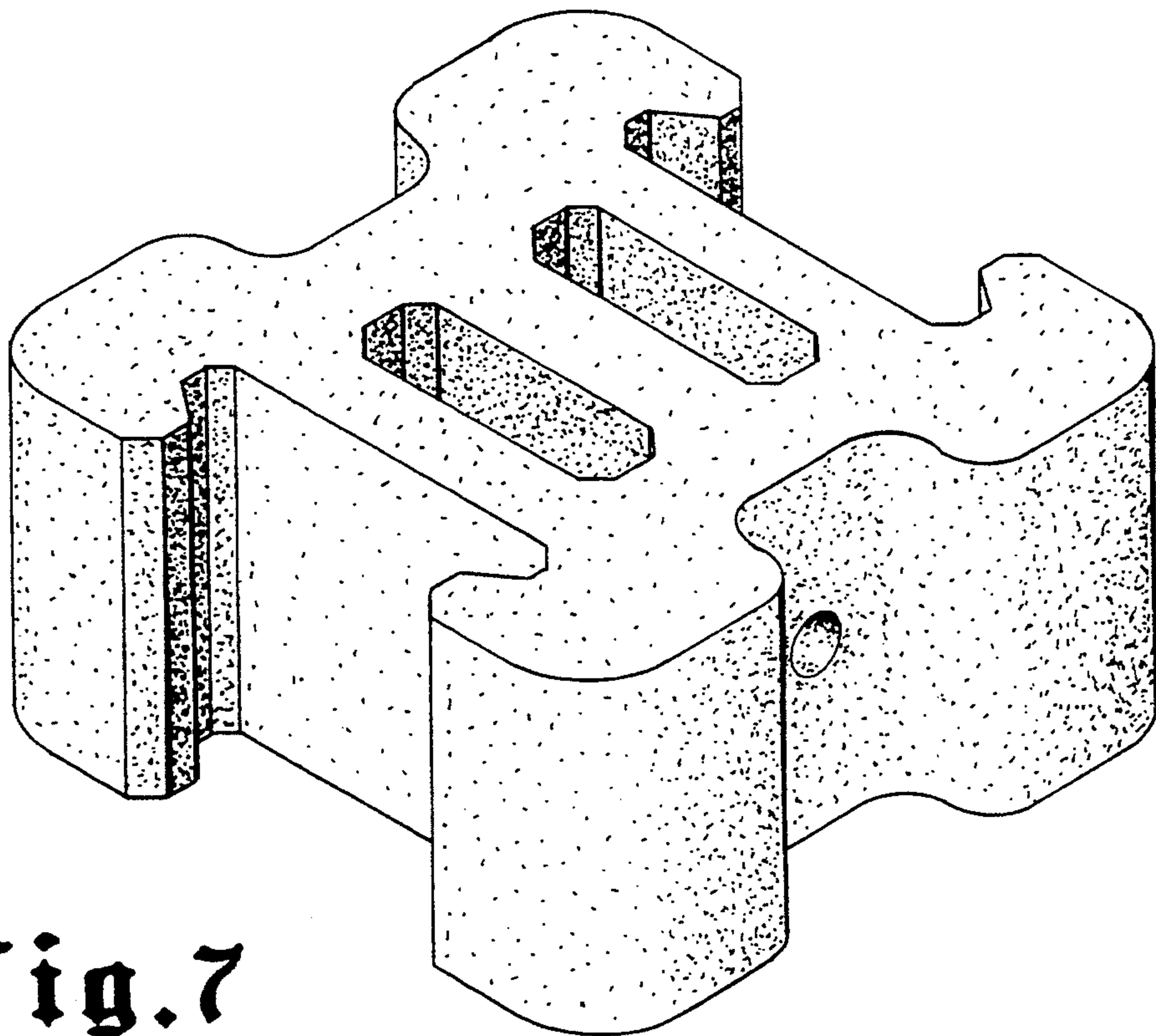


fig. 7

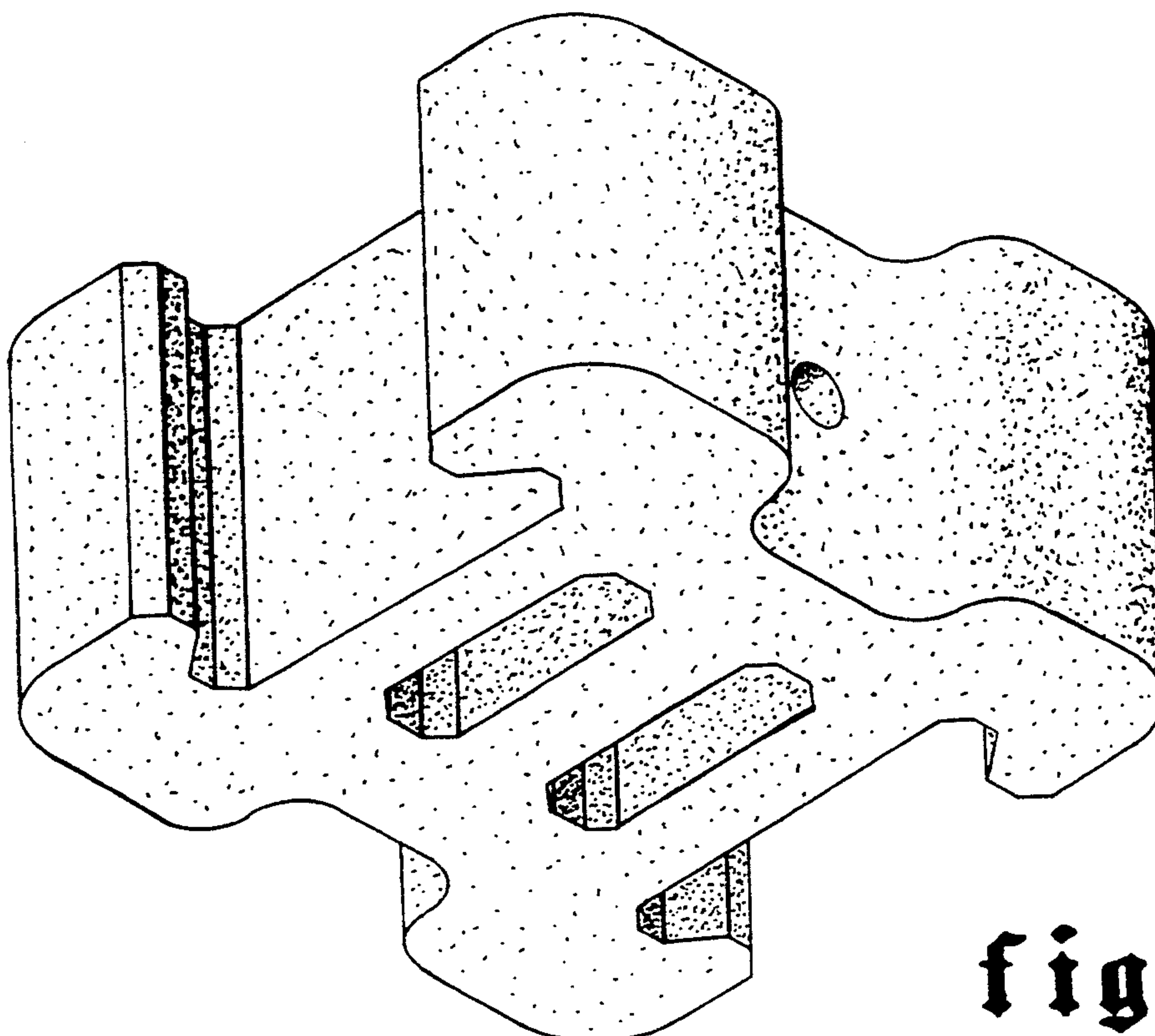


fig. 8

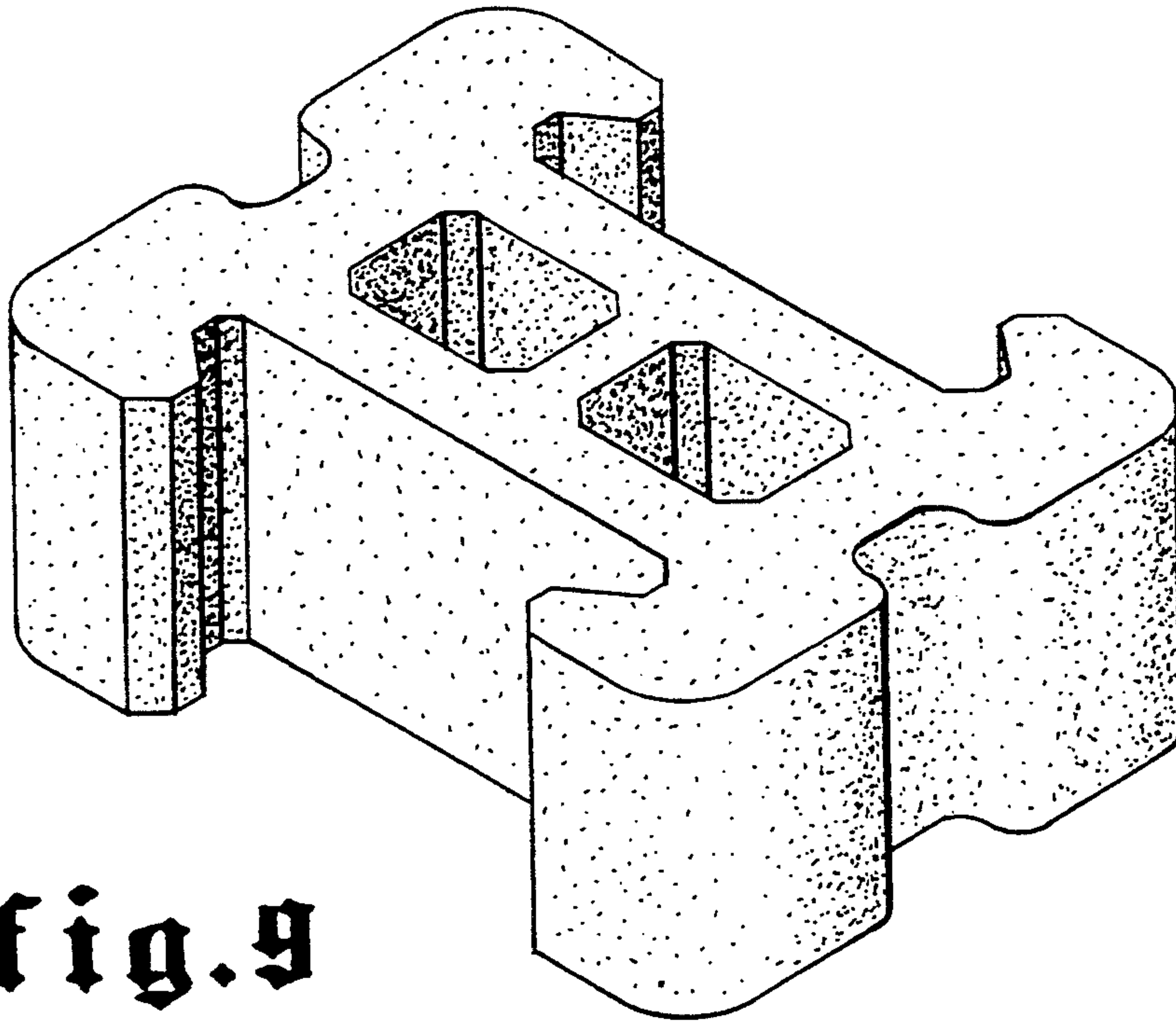


fig. 9

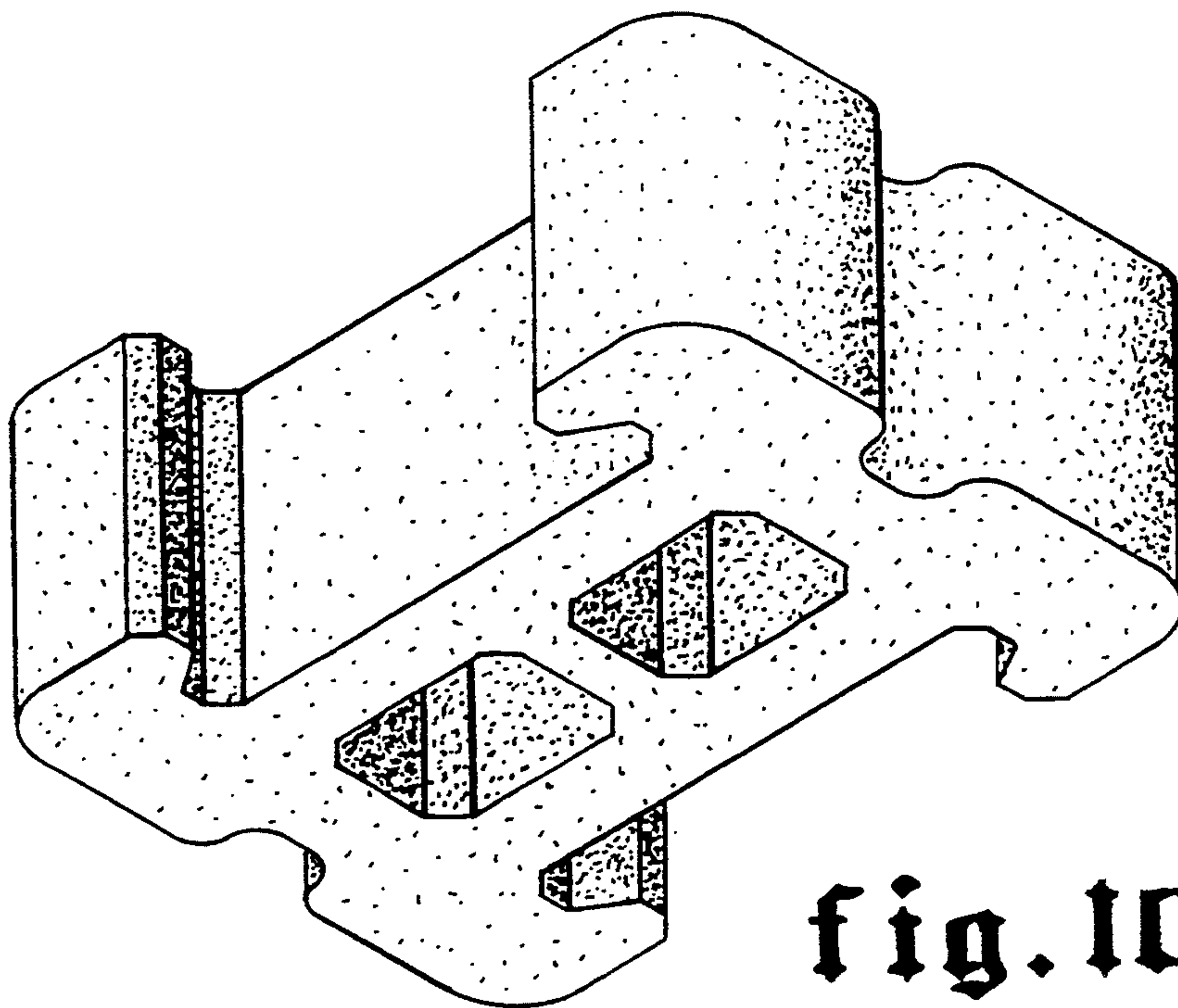


fig. 10

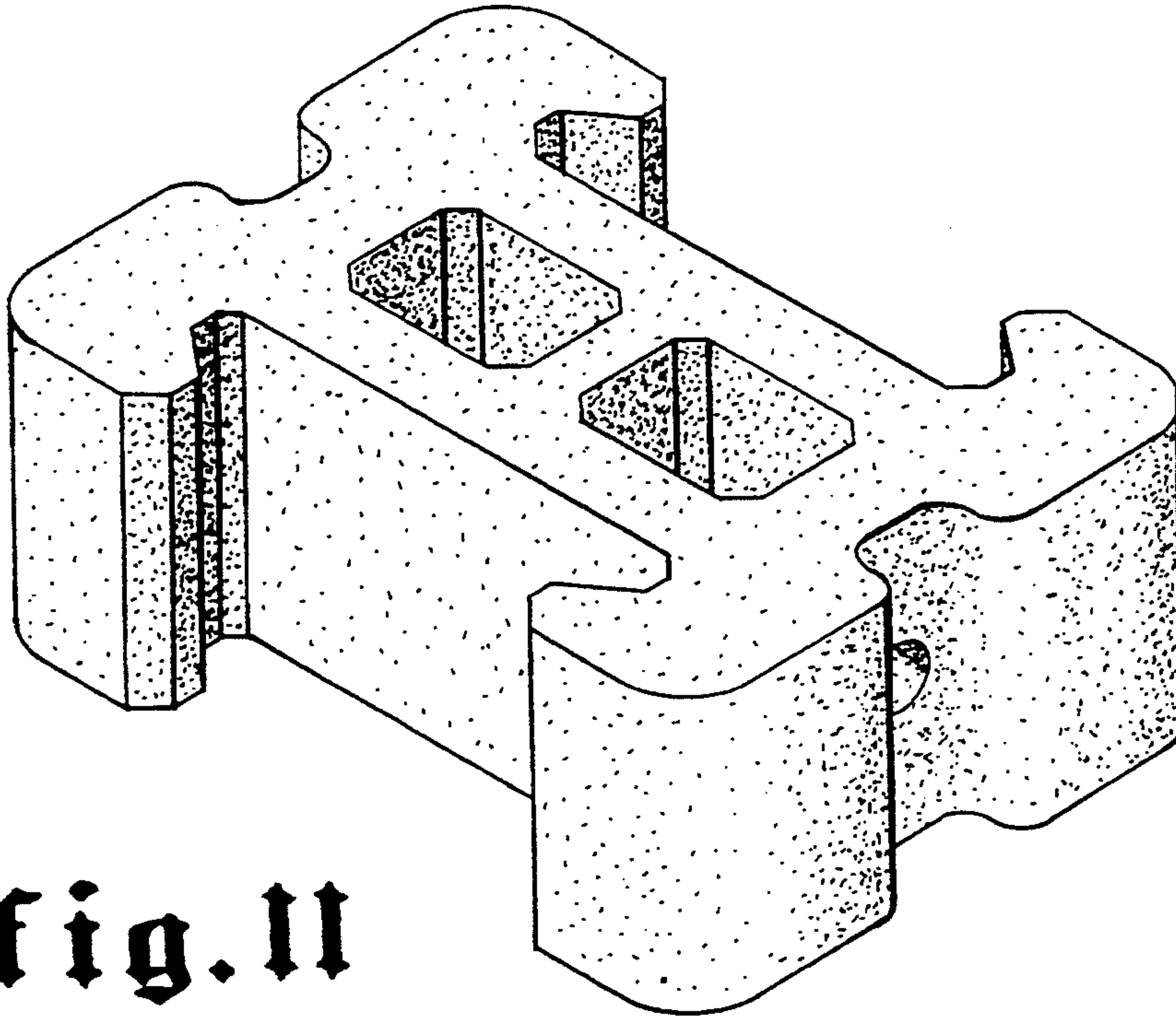


fig. 11

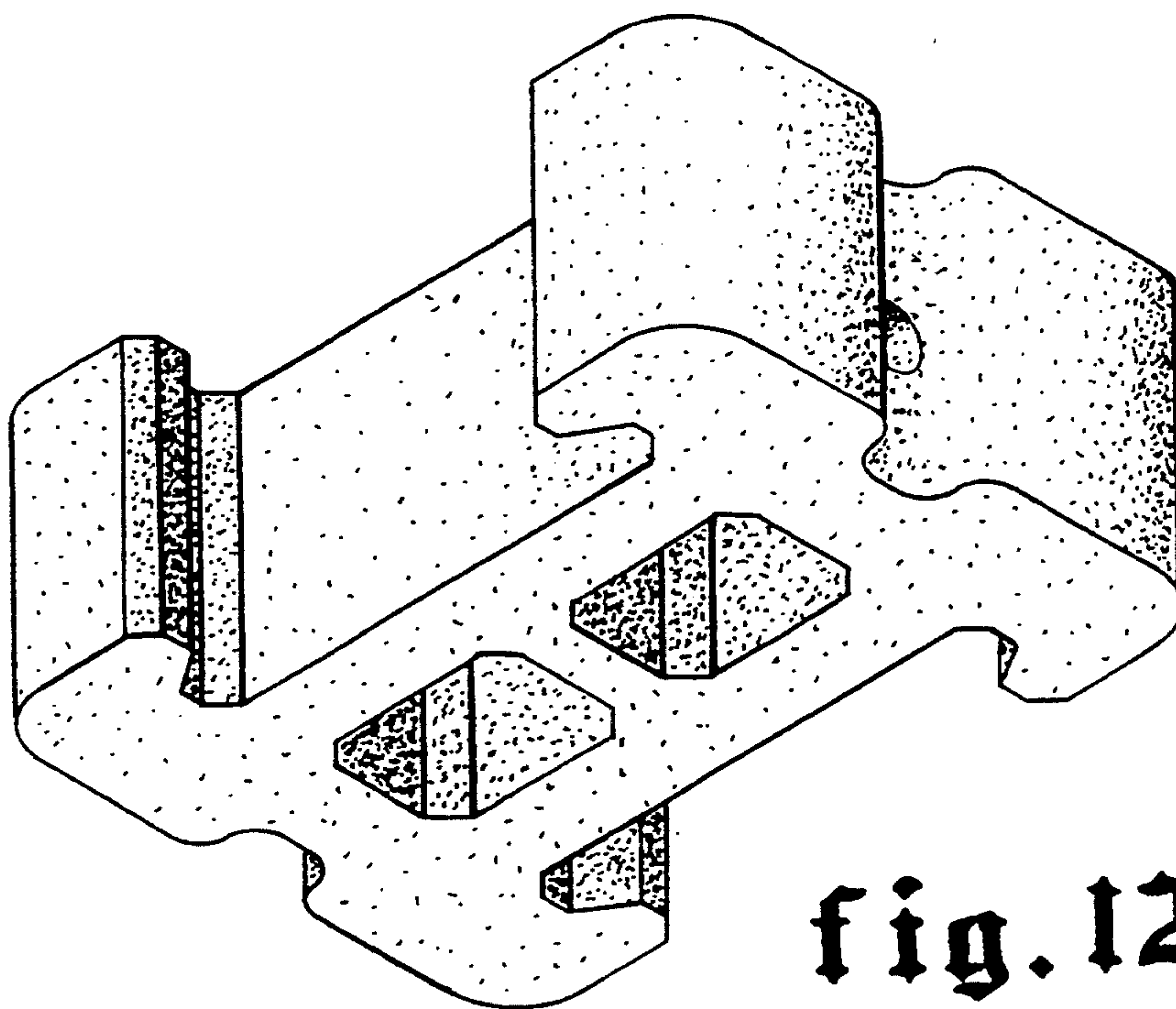


fig. 12