



US00D351909S

United States Patent [19]

[11] Patent Number: **Des. 351,909**

Nogawa et al.

[45] Date of Patent: **** Oct. 25, 1994**

[54] OXYGENATOR

[75] Inventors: **Atsuhiko Nogawa, Nakai; Tetsuya Arioka**, Tokyo, both of Japan

[73] Assignee: **Terumo Kabushiki Kaisha**, Tokyo, Japan

[**] Term: **14 Years**

[21] Appl. No.: **4,429**

[22] Filed: **Feb. 4, 1993**

[30] Foreign Application Priority Data

Aug. 7, 1992 [JP] Japan 4-23506

[52] U.S. Cl. **D24/169**

[58] Field of Search 604/4; 261/DIG. 28; 210/321.6, 321.8, 321.9, 321.74, 321.79, 321.83, 321.88; 422/44-48; D24/169

[56] References Cited

U.S. PATENT DOCUMENTS

- D. 290,875 7/1987 Badolato et al. D24/169
- D. 320,445 10/1991 Jones et al. .
- D. 320,661 10/1991 Sone D24/169
- 4,282,180 8/1981 Raible D24/169 X
- 4,407,777 10/1983 Wilkinson et al. 422/46
- 4,698,207 10/1987 Bringham et al. .
- 4,948,560 8/1990 Deguchi et al. 422/48
- 5,039,482 8/1991 Panzani et al. .

OTHER PUBLICATIONS

Dideco, Biomedical Product Division of Roerig Farmaceutici Italiana S.r.l., Pfizer Hospital Products Group, D703 Compactflo, Adult Hollow Fibre Oxygenator, Jul. 1991.

Dideco, Italy, D705 Midiflo Paediatric Hollow Fibre Oxygenator, Apr. 1992.

JMS, Brochure Showing Model No. LH-760, Apr. 1962.

Bard Cardiopulmonary Division, C. R. Bard, Inc., The New William Harvey H-1300 Infant, Pediatric Oxygenator Dec. 1982.

Primary Examiner—Stella Reid

Attorney, Agent, or Firm—Frishauf, Holtz, Goodman & Woodward

[57] CLAIM

The ornamental design for an oxygenator, as shown and described.

DESCRIPTION

FIG. 1 is a top, front left side perspective view of an oxygenator showing our new design;
 FIG. 2 is a front elevational view thereof;
 FIG. 3 is a rear elevational view thereof;
 FIG. 4 is a left side elevational view thereof;
 FIG. 5 is a right side elevational view thereof;
 FIG. 6 is a top plan view thereof; and,
 FIG. 7 is a bottom plan view thereof.

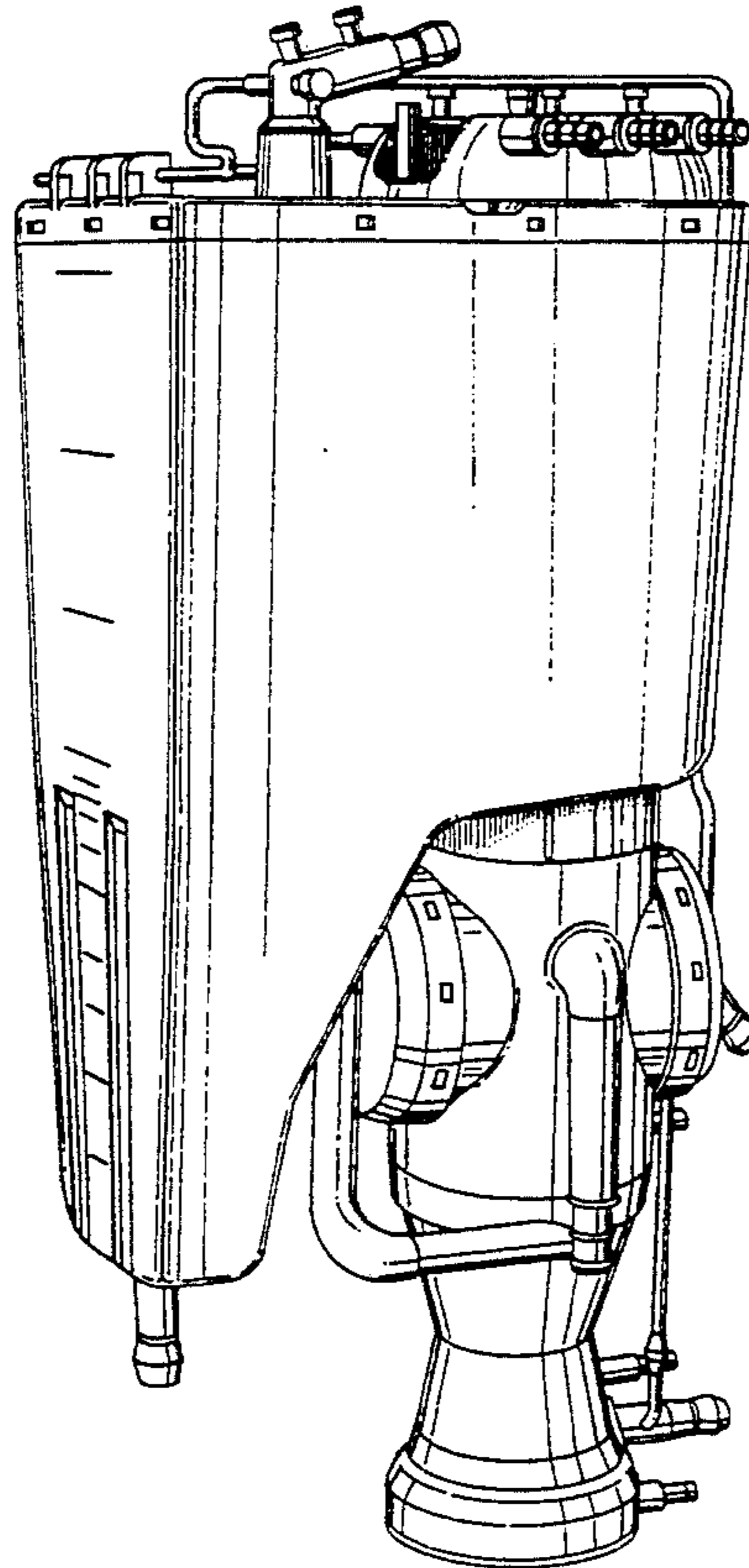


FIG. 1

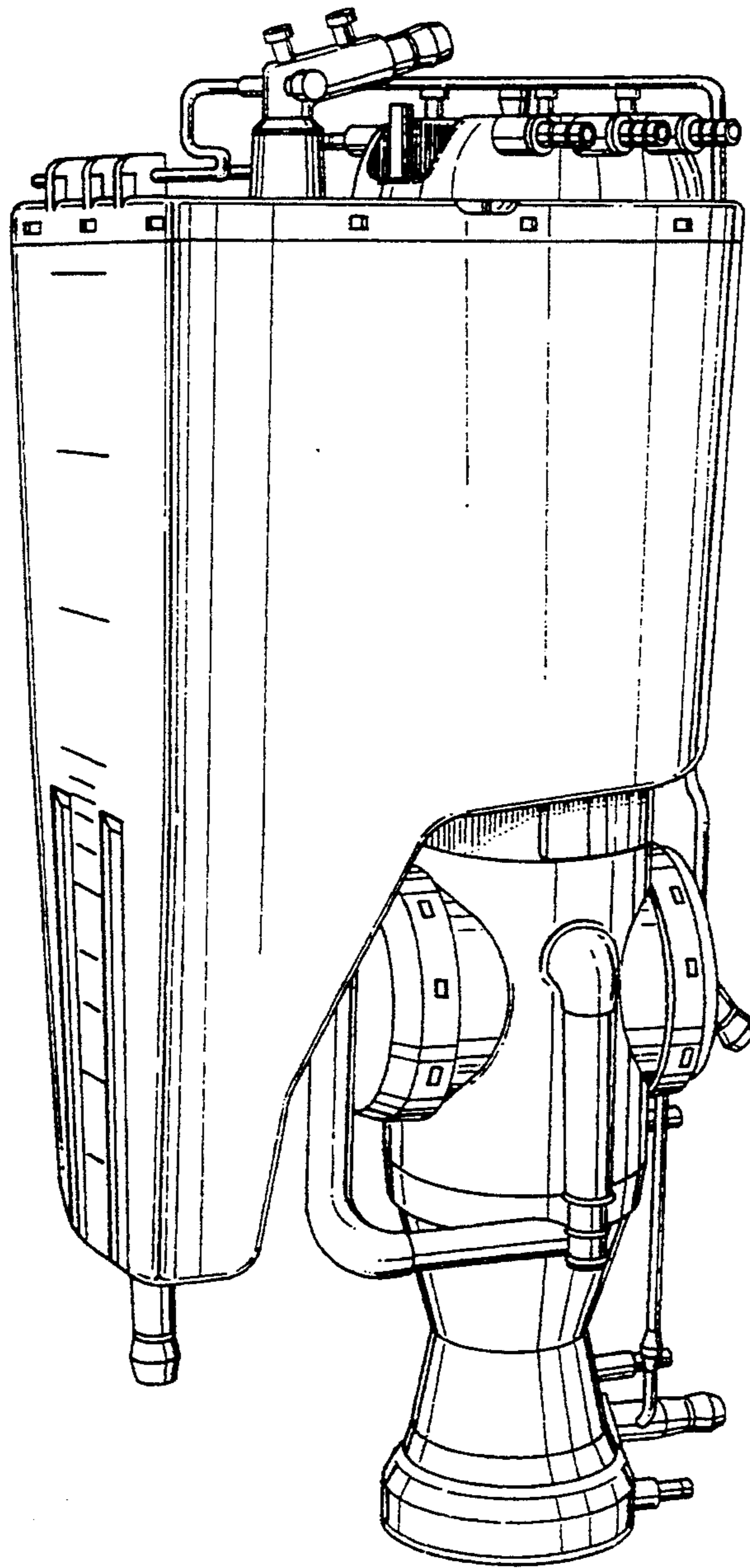


FIG.2

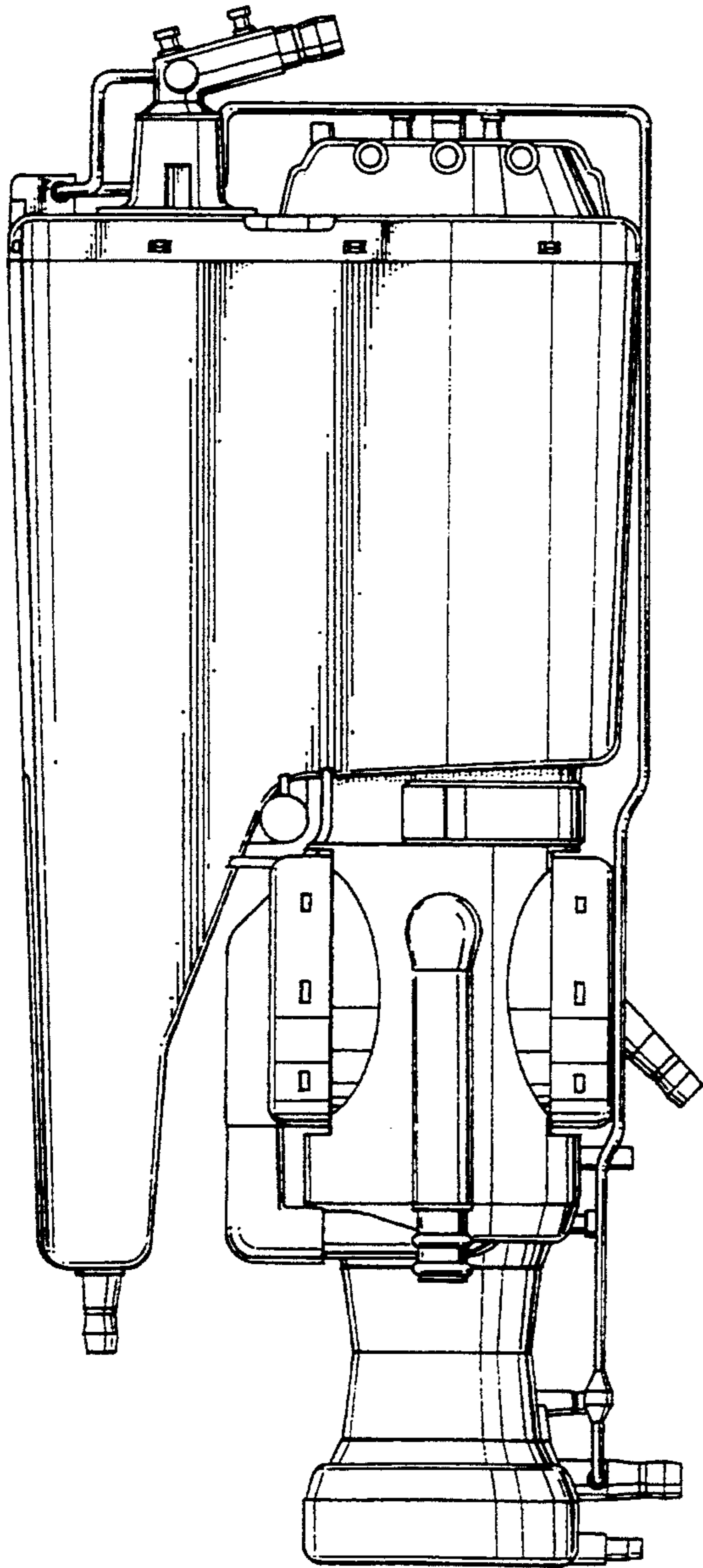


FIG.3

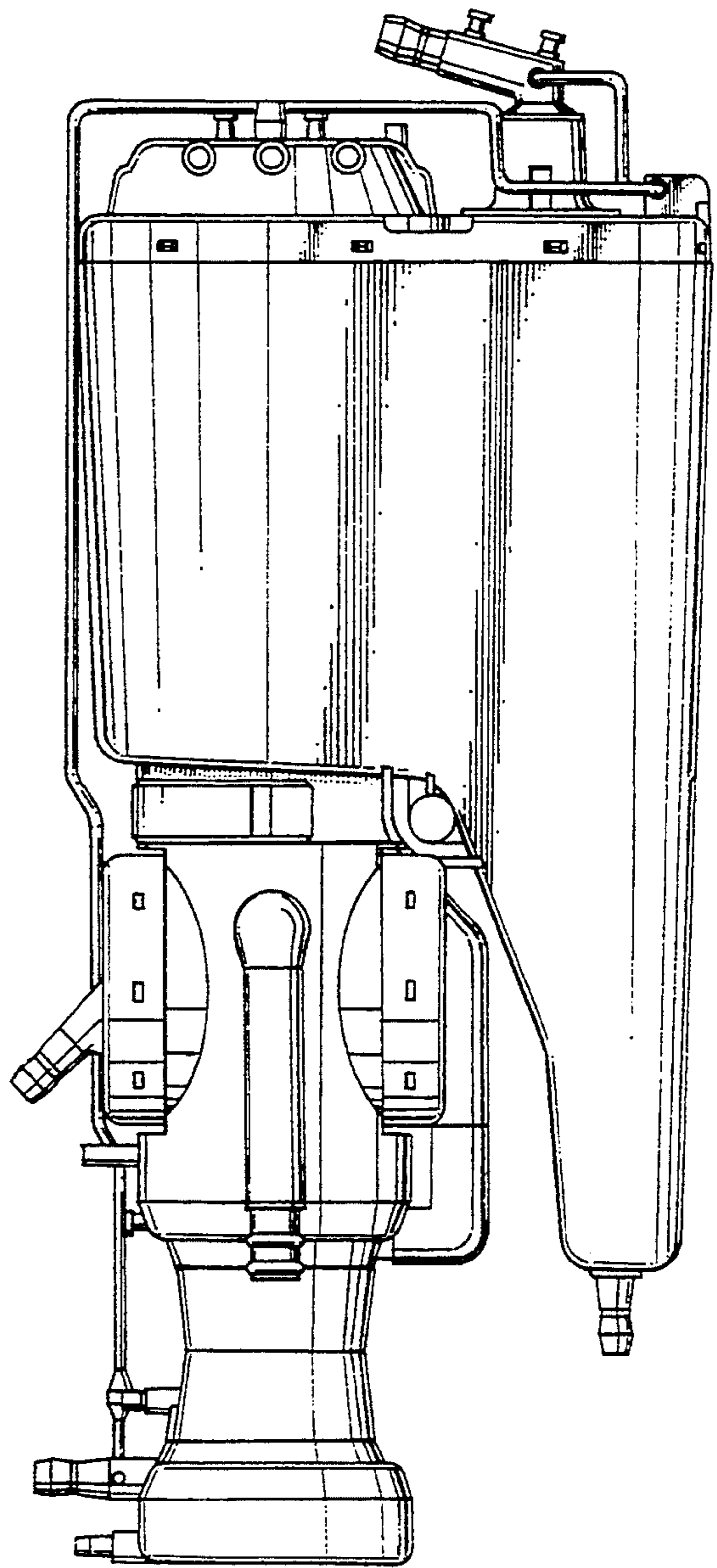


FIG.4

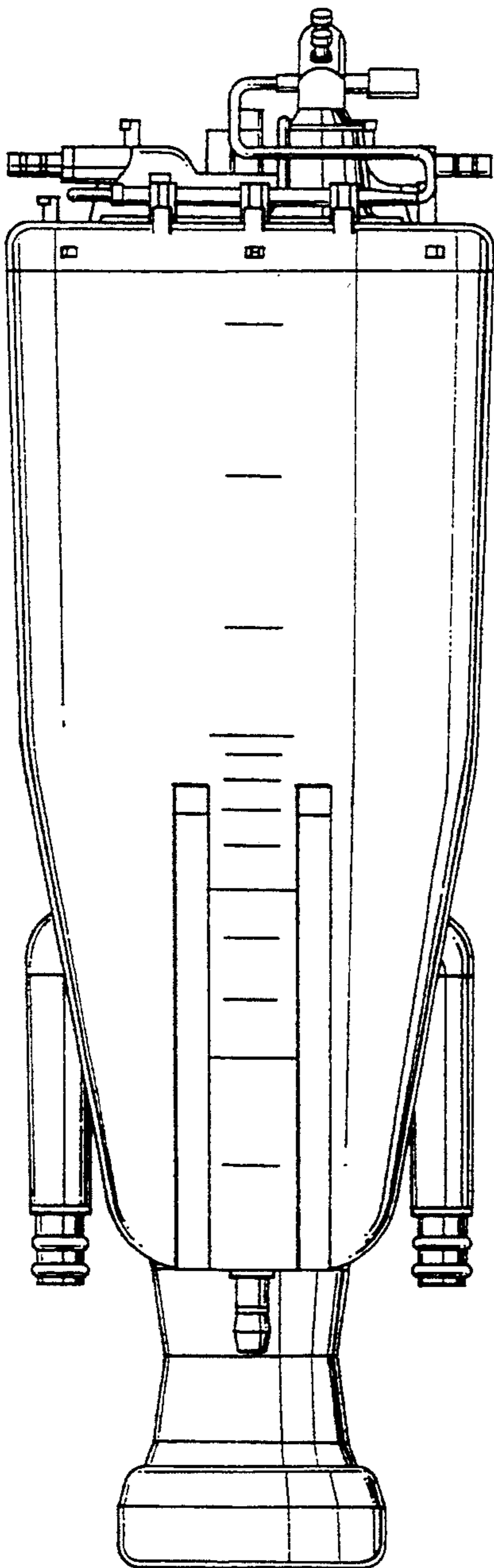


FIG.5

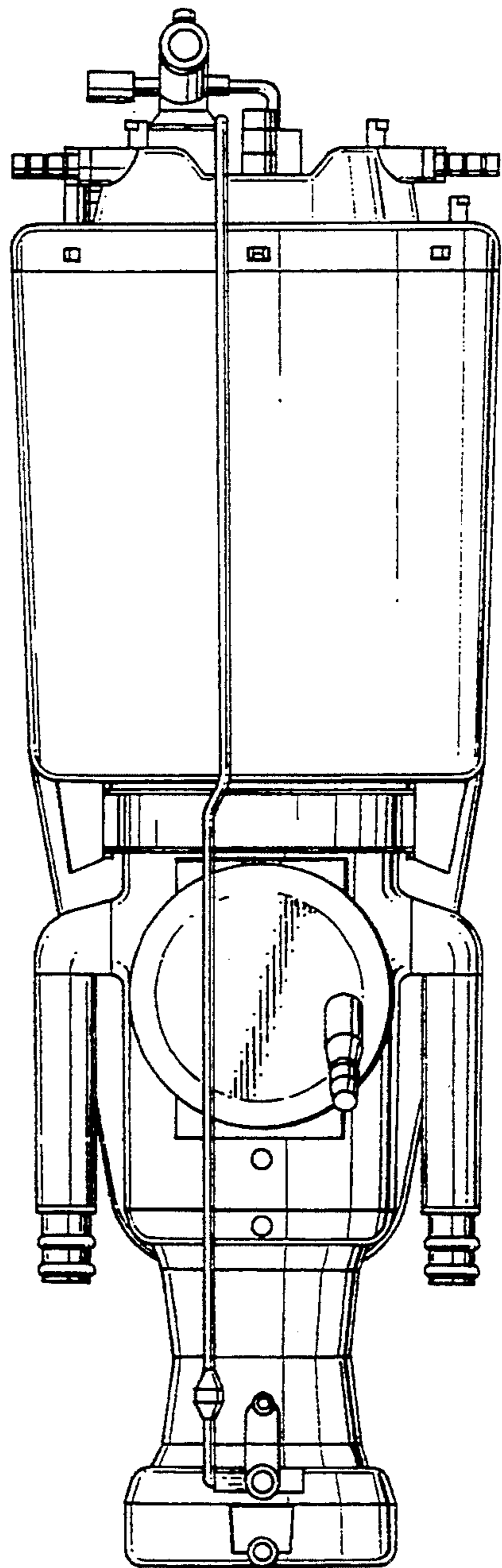


FIG.6

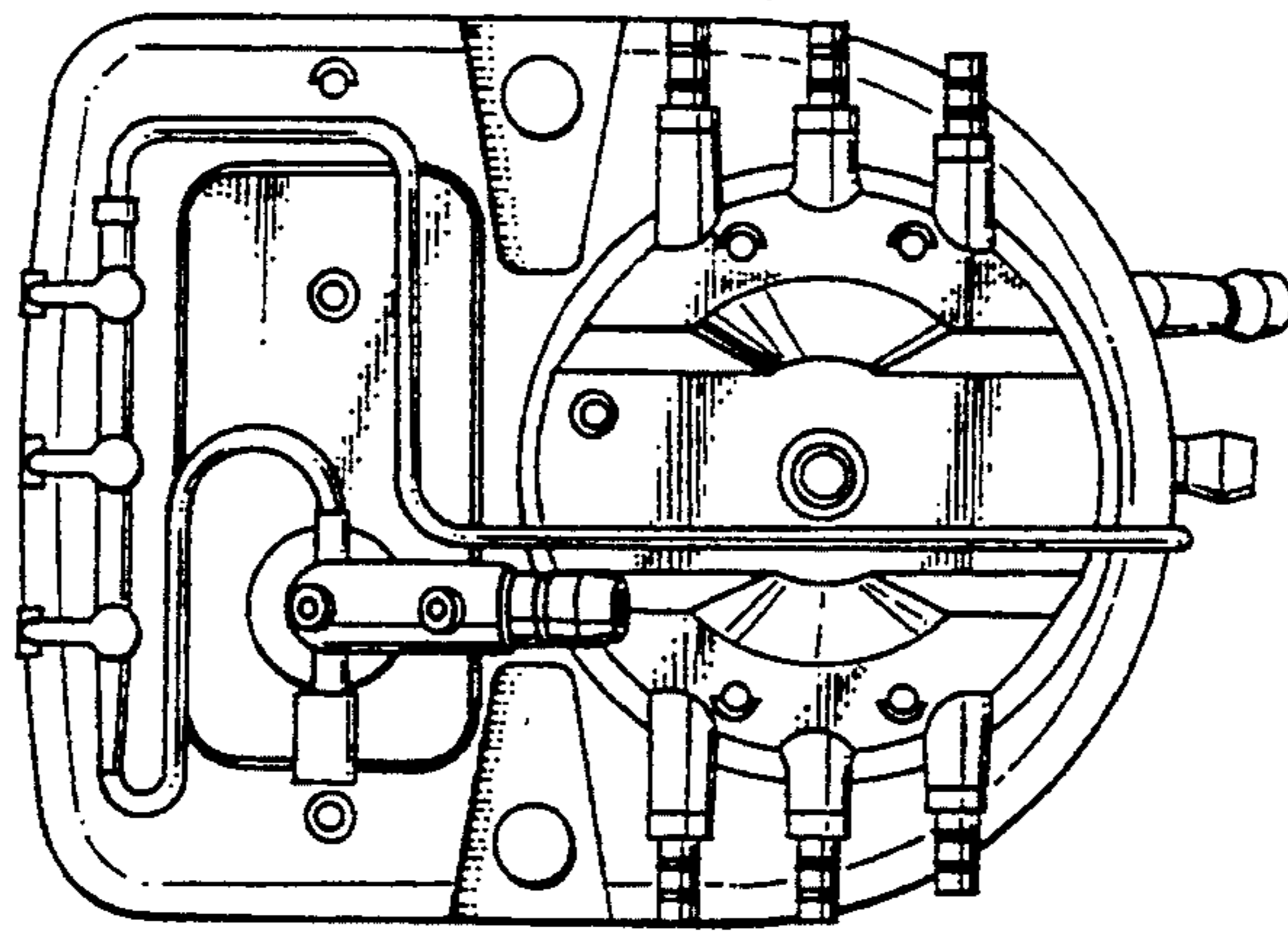


FIG.7

