



US00D351906S

United States Patent [19] Marsh

[11] Patent Number: **Des. 351,906**
[45] Date of Patent: **** Oct. 25, 1994**

[54] **MEDICAL WASTE DISPOSAL CONTAINER LID**

[75] Inventor: **Gordon Marsh, West Hills, Calif.**

[73] Assignee: **Devon Industries, Inc., Chatsworth, Calif.**

[**] Term: **14 Years**

[21] Appl. No.: **6,786**

[22] Filed: **Apr. 7, 1993**

[52] U.S. Cl. **D24/131; D34/11**

[58] Field of Search **206/366, 364, 365; 220/254, 908, 339, 366; D24/131; D34/7, 8, 11**

[56] **References Cited**

U.S. PATENT DOCUMENTS

D. 300,974	5/1989	Dewing	D34/11
D. 304,493	11/1989	Bemis	D24/131
D. 326,753	6/1992	De Busk	D34/11 X
D. 332,680	1/1993	Ramirez .	
4,759,478	7/1988	Richardson et al.	270/254 X
4,842,138	6/1989	Sandel et al. .	
4,874,103	10/1989	Quisenberry et al.	206/366 X
4,890,733	1/1990	Anderson	220/908 X

5,058,764 10/1991 Gaba .

5,080,251 1/1992 Noack .

5,107,990 4/1992 Wicherski et al. .

5,273,161 12/1993 Sagstetter 206/366

Primary Examiner—A. Hugo Word

Assistant Examiner—I. Simmons

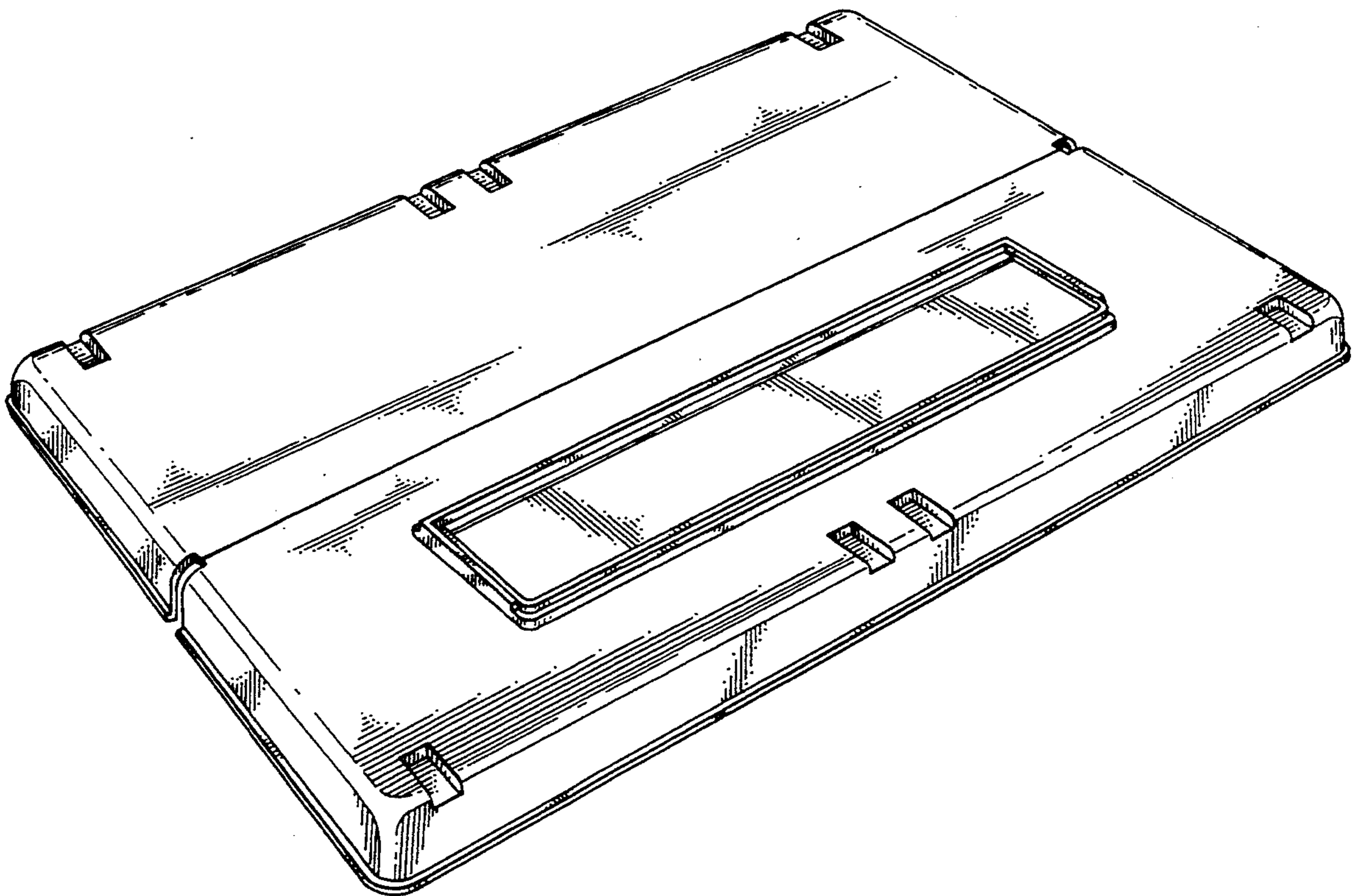
Attorney, Agent, or Firm—Poms, Smith, Lande & Rose

[57] **CLAIM**

The ornamental design for a medical waste disposal container lid, as shown and described.

DESCRIPTION

FIG. 1 is a top plan view of a medical waste disposal container lid showing my new design;
 FIG. 2 is a top plan view thereof;
 FIG. 3 is a front elevational view thereof;
 FIG. 4 is a bottom plan view thereof;
 FIG. 5 is a rear elevational view thereof;
 FIG. 6 is a side elevational view thereof, the opposite side elevational view being a mere image of that shown;
 FIG. 7 is a top perspective view thereof with its lid in open condition; and,
 FIG. 8 is a top perspective view thereof, showing the lid in a partially folded position.



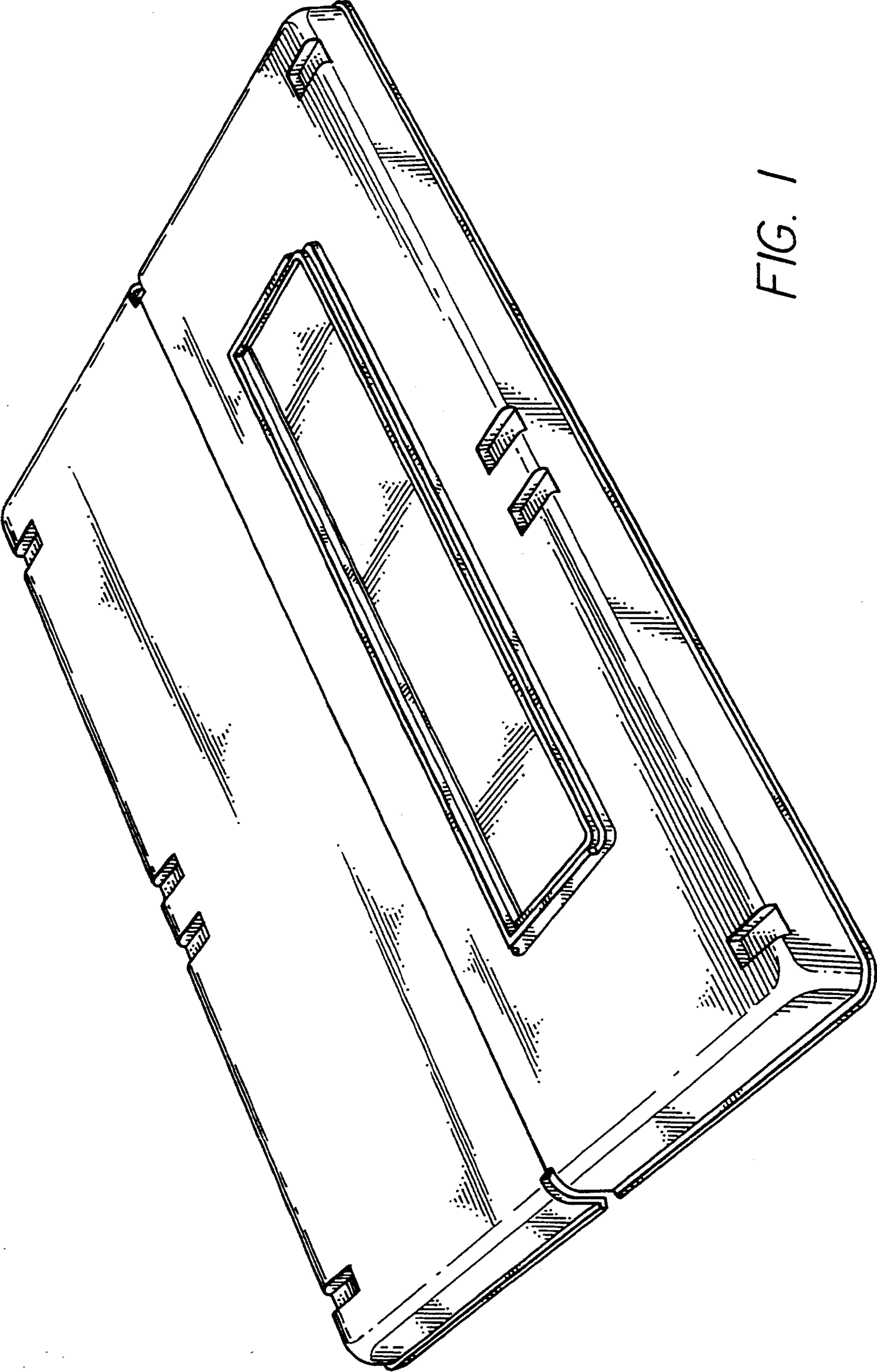


FIG. 1

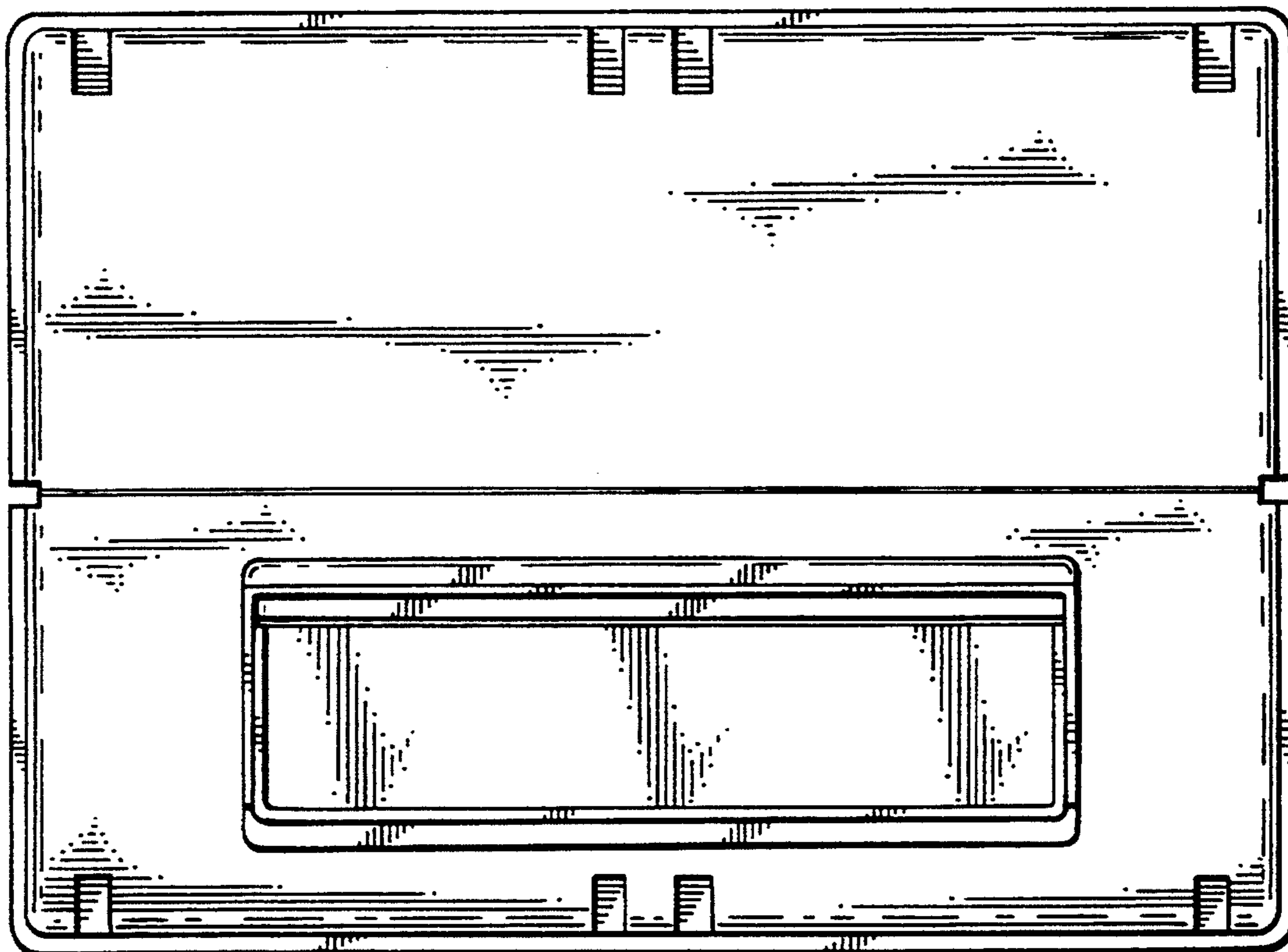


FIG. 2

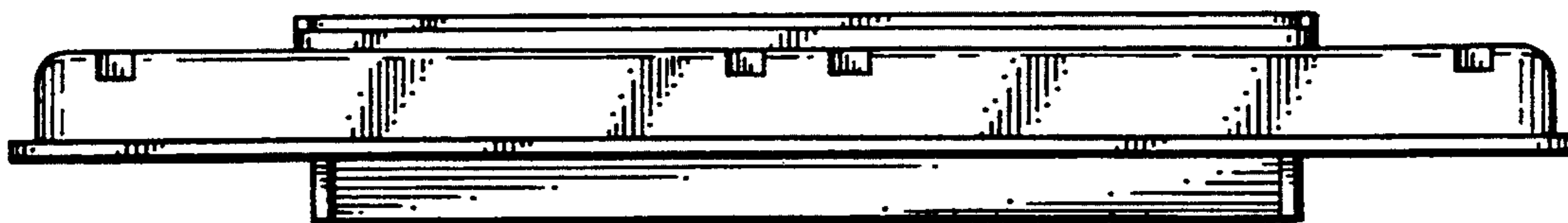


FIG. 3

FIG. 4

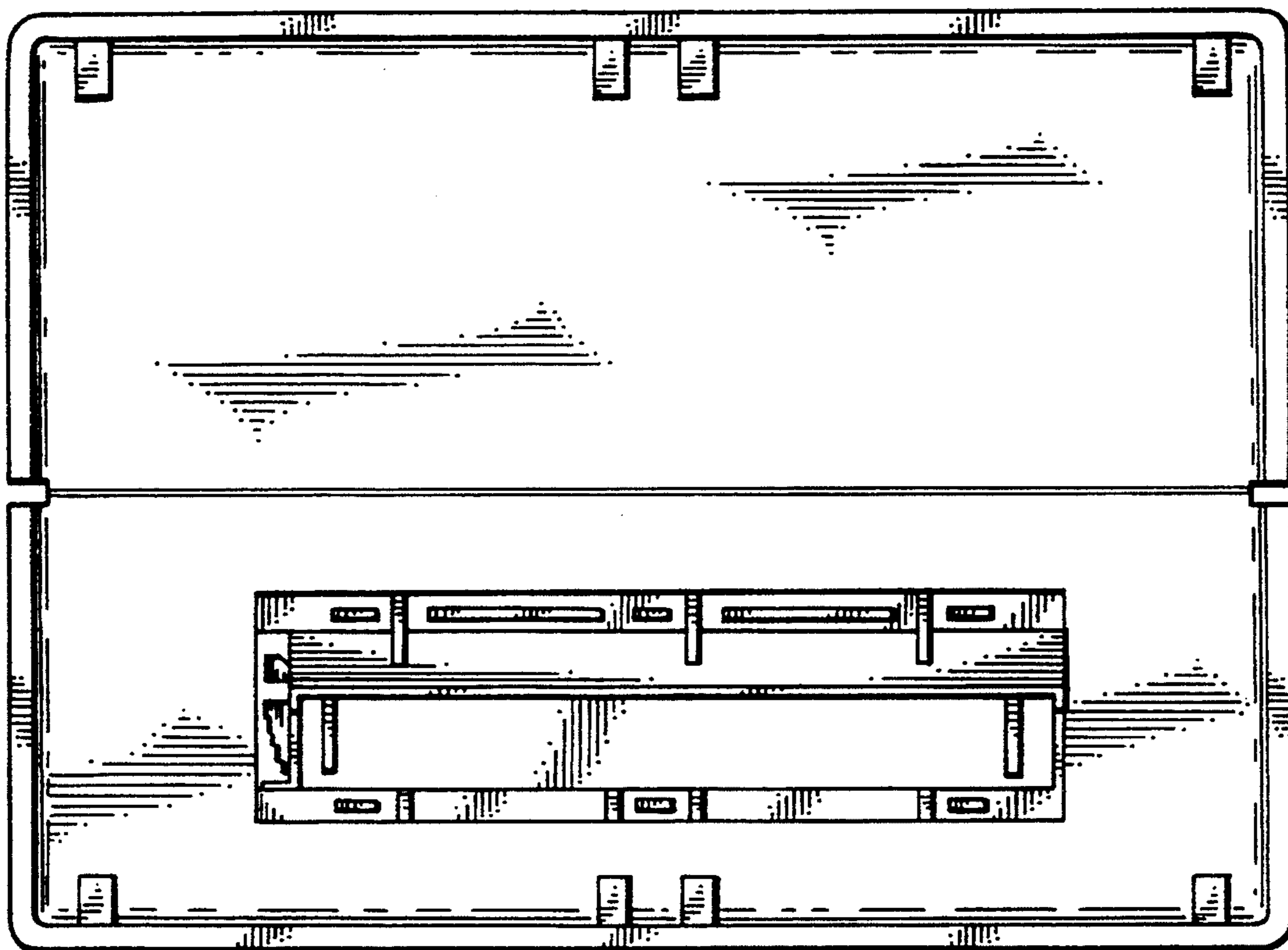


FIG. 5

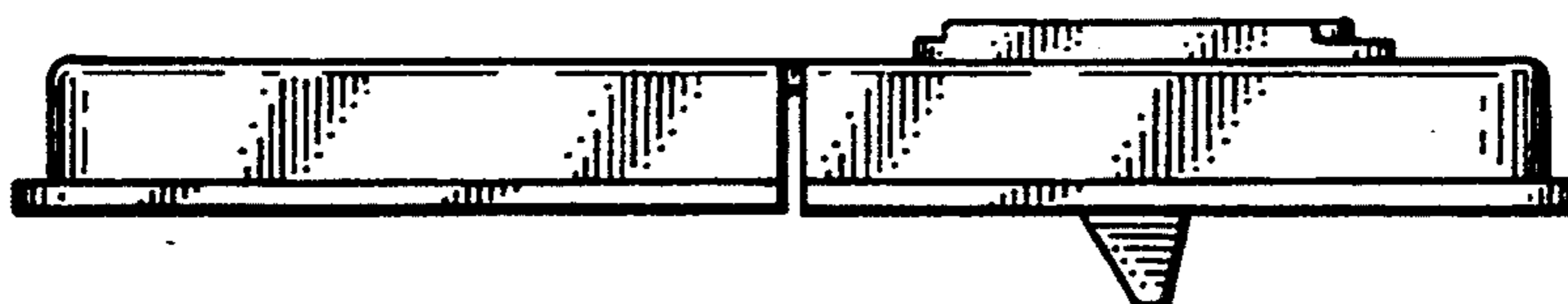
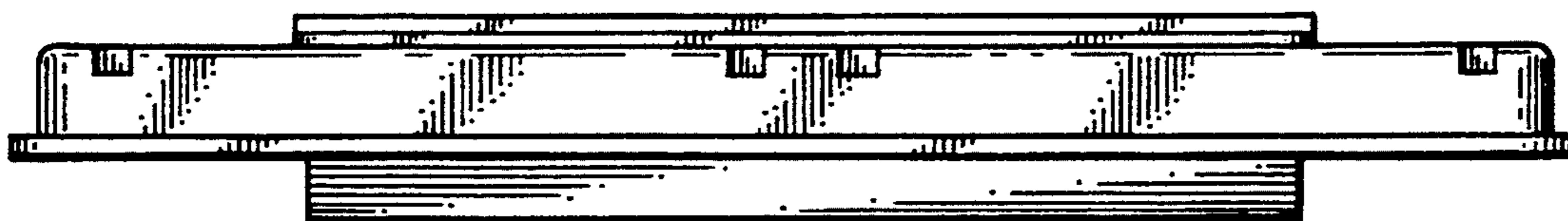


FIG. 6

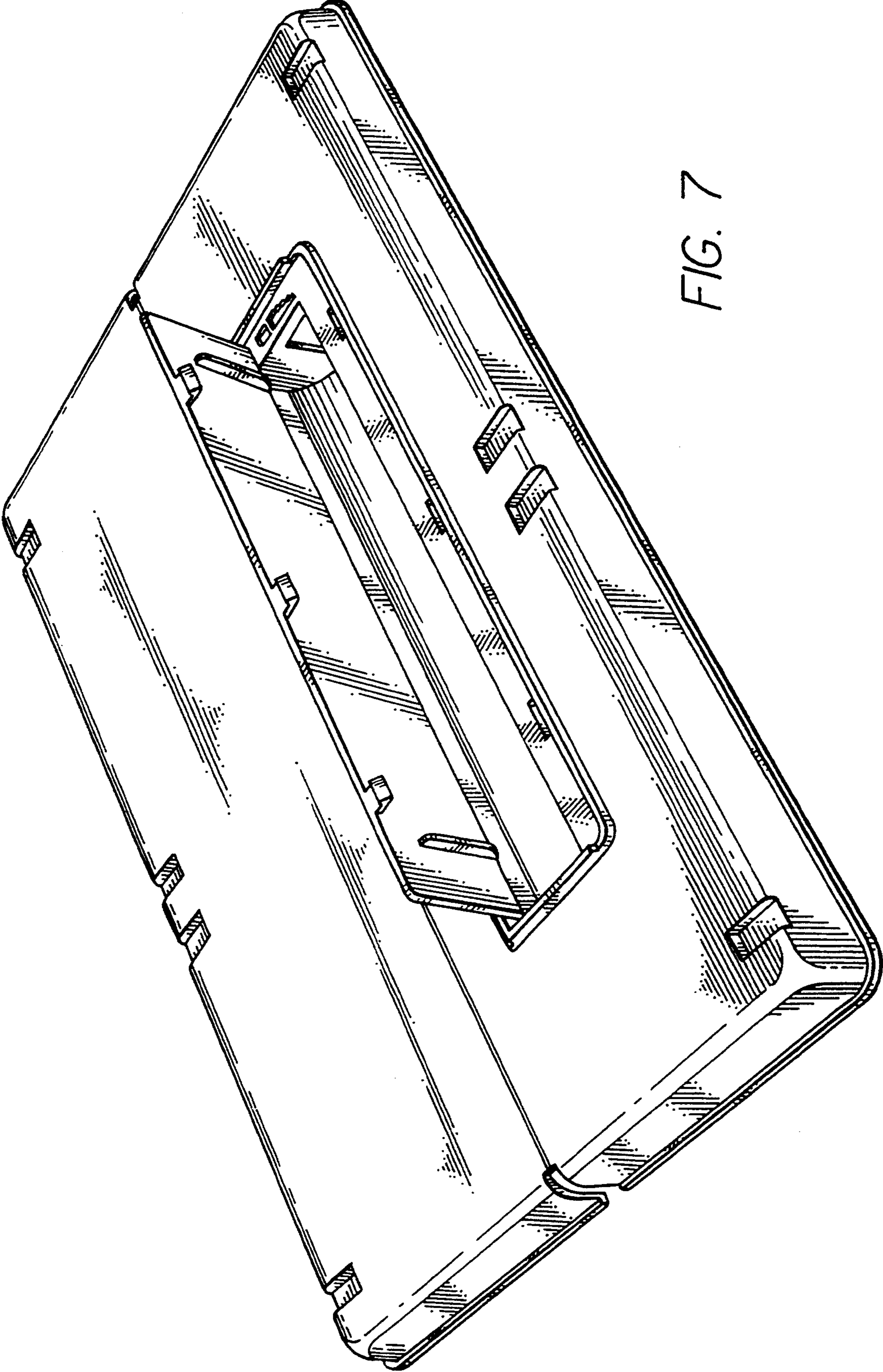


FIG. 7

FIG. 8

