



US00D351904S

United States Patent [19]

[11] Patent Number: Des. 351,904

Maze

[45] Date of Patent: ** Oct. 25, 1994

[54] COMBINED MEDICATION STORAGE AND DISPENSING CONTAINER

2,799,427 7/1957 Shekter 220/23.83
3,510,376 5/1970 Freire et al. D3/202 X

[76] Inventor: David L. Maze, 121 Greenland La., St. Louis, Mo. 63125

Primary Examiner—A. Hugo Word
Assistant Examiner—I. Simmons
Attorney, Agent, or Firm—Kalish & Gilster

[**] Term: 14 Years

[21] Appl. No.: 874,365

[57] CLAIM

[22] Filed: Apr. 27, 1992

The ornamental design for a combined medication storage and dispensing container, as described and shown.

[52] U.S. Cl. D24/121

[58] Field of Search D9/529, 517; 220/505, 220/506, 516, 519, 524, 375; 215/6, 300; D3/202, 203; D7/510, 511, 513; D24/103, 121

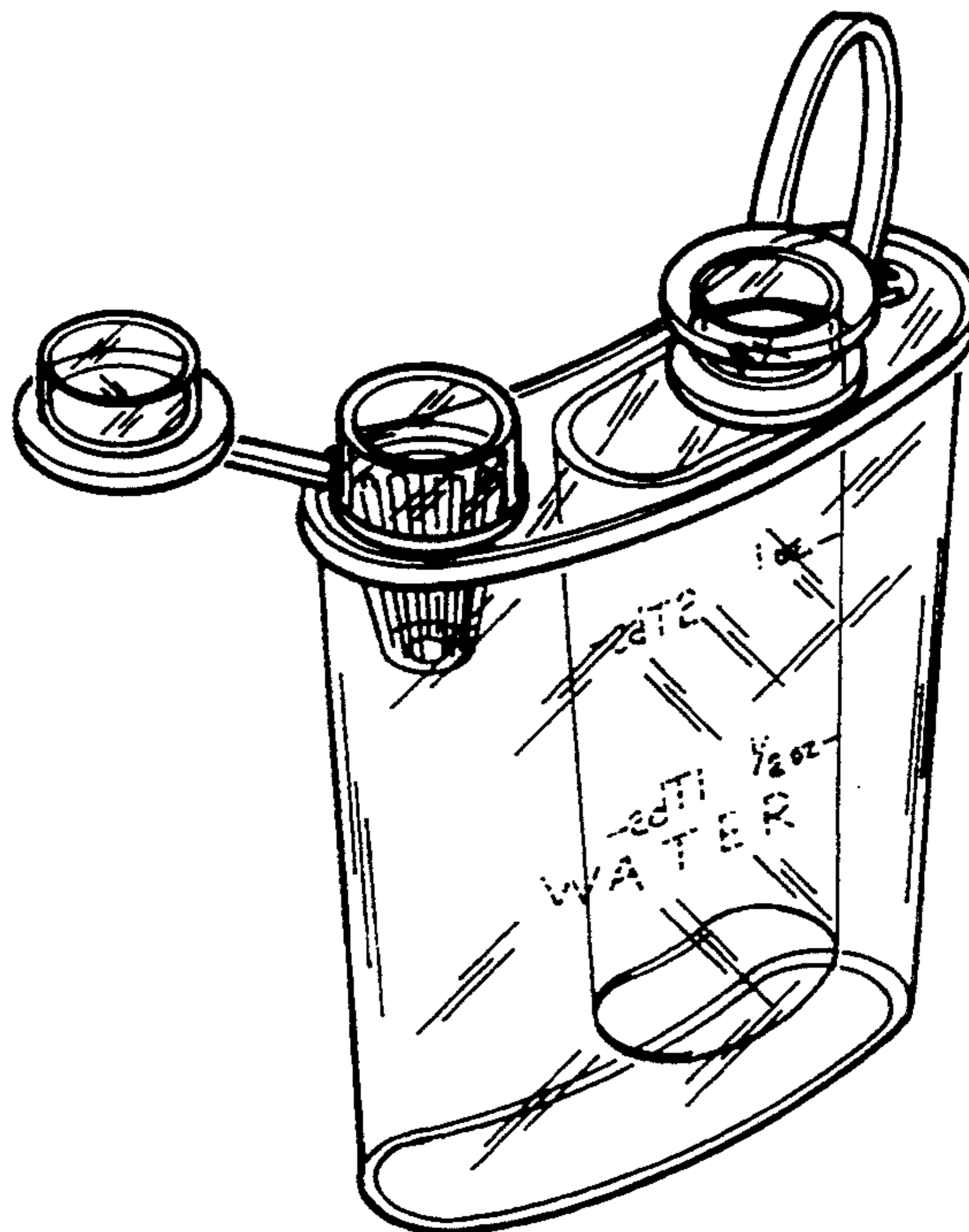
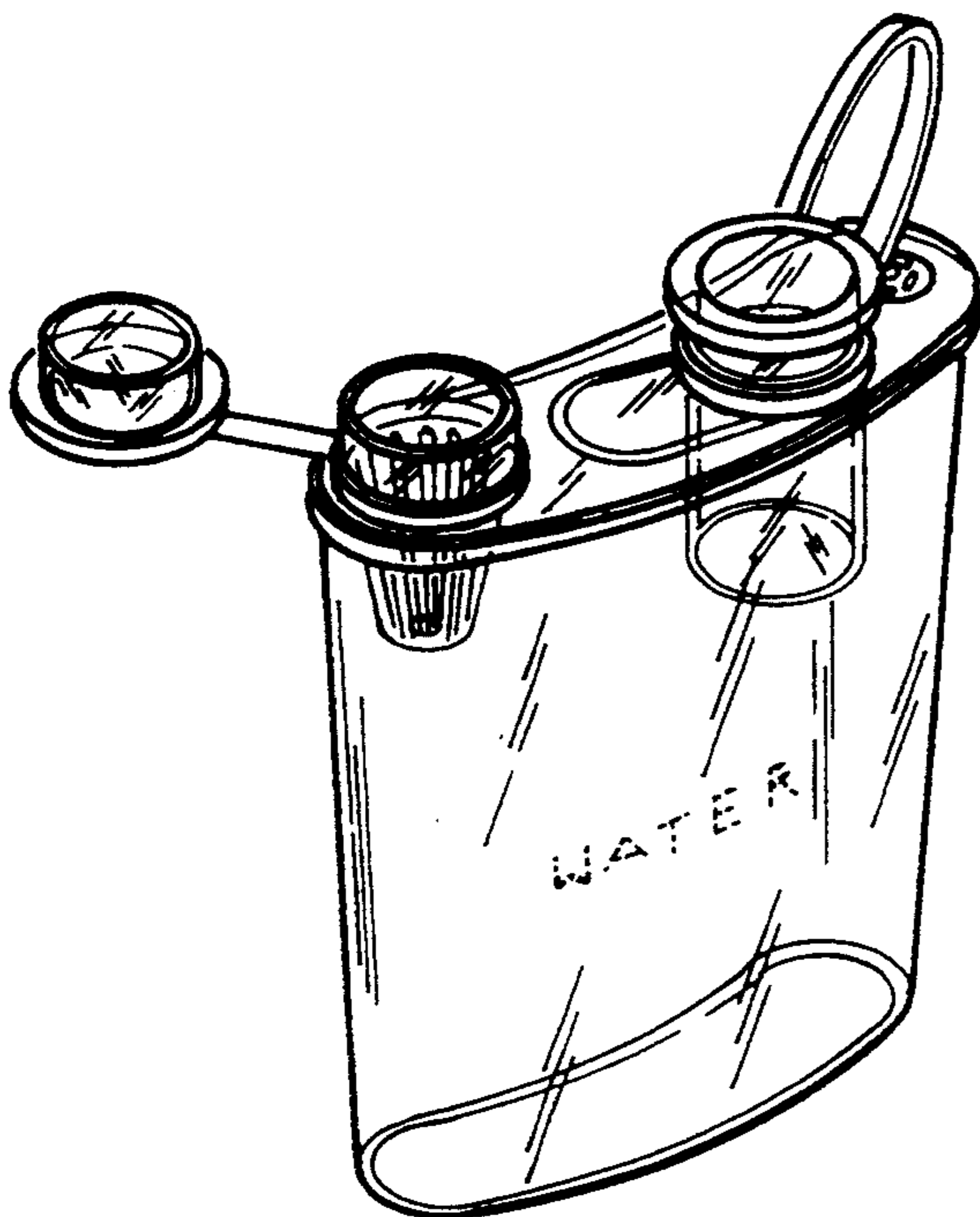
DESCRIPTION

[56] References Cited

U.S. PATENT DOCUMENTS

D. 44,371 7/1913 Kopecky D3/202
D. 58,948 9/1921 Sebring D9/522 X
1,471,793 10/1923 Israel 220/524 X
1,600,758 9/1926 Goldstein 220/516 X
2,750,066 6/1956 Shekter 220/516 X
2,766,796 10/1956 Tupper 220/505

FIG. 1 is a top front perspective view of a combined medication storage and dispensing container embodying my new design;
FIG. 2 is a bottom rear perspective view thereof;
FIG. 3 is a top plan view thereof;
FIG. 4 is a bottom plan view thereof;
FIG. 5 is an top front perspective view of a second embodiment thereof;
FIG. 6 is a bottom rear perspective view thereof;
FIG. 7 is a top plan view thereof; and,
FIG. 8 is a bottom plan view thereof.



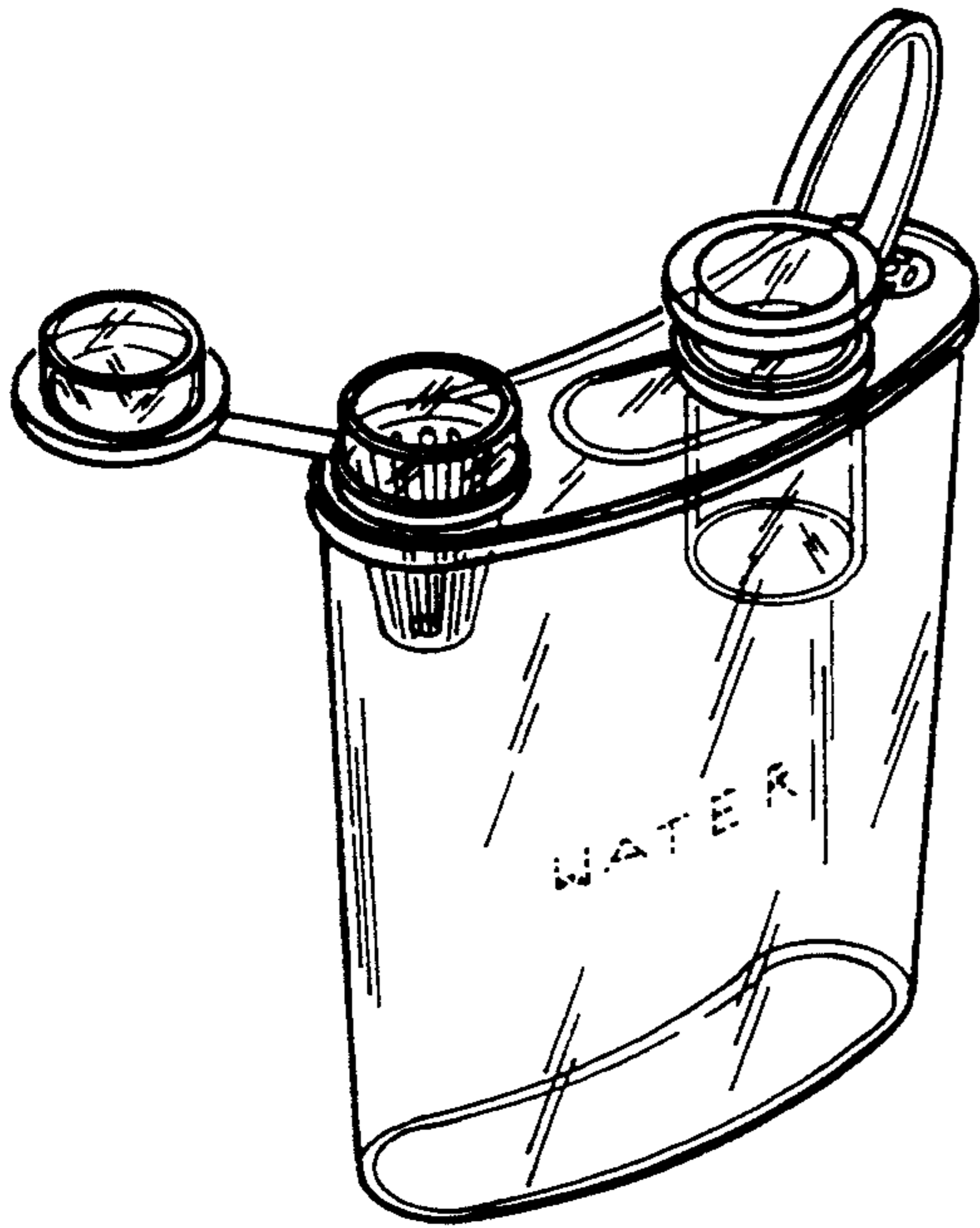


Fig. 1

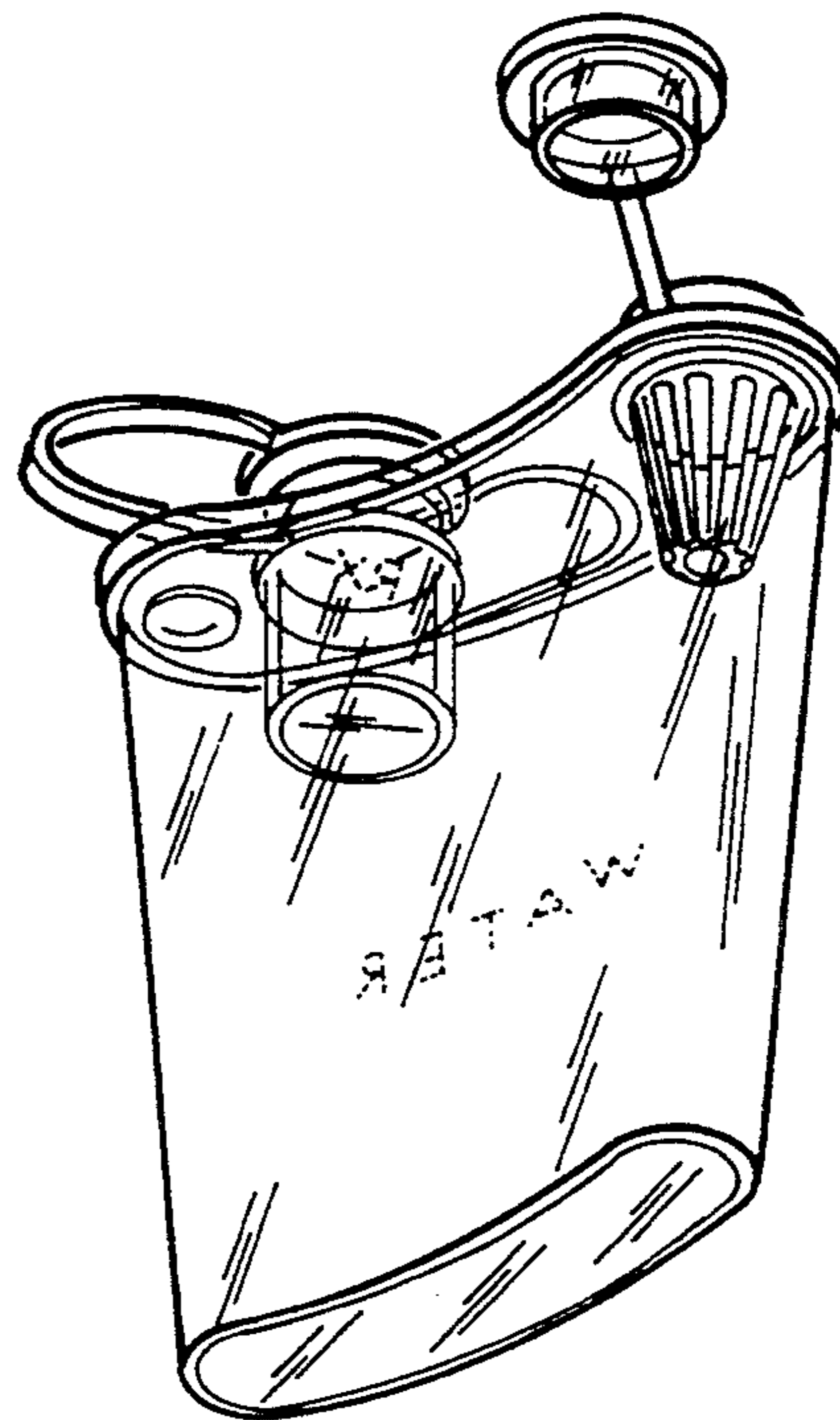


Fig. 2

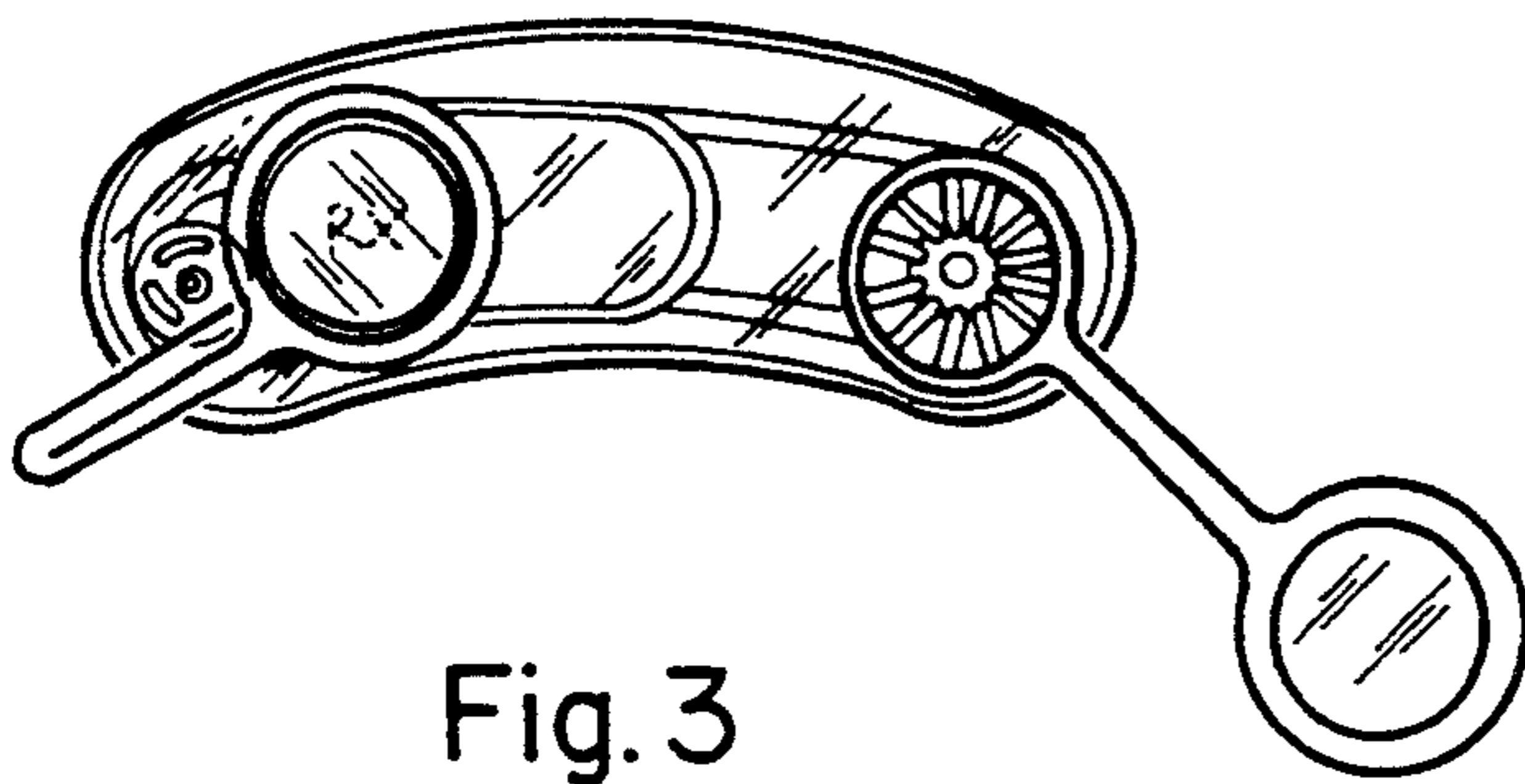


Fig. 3

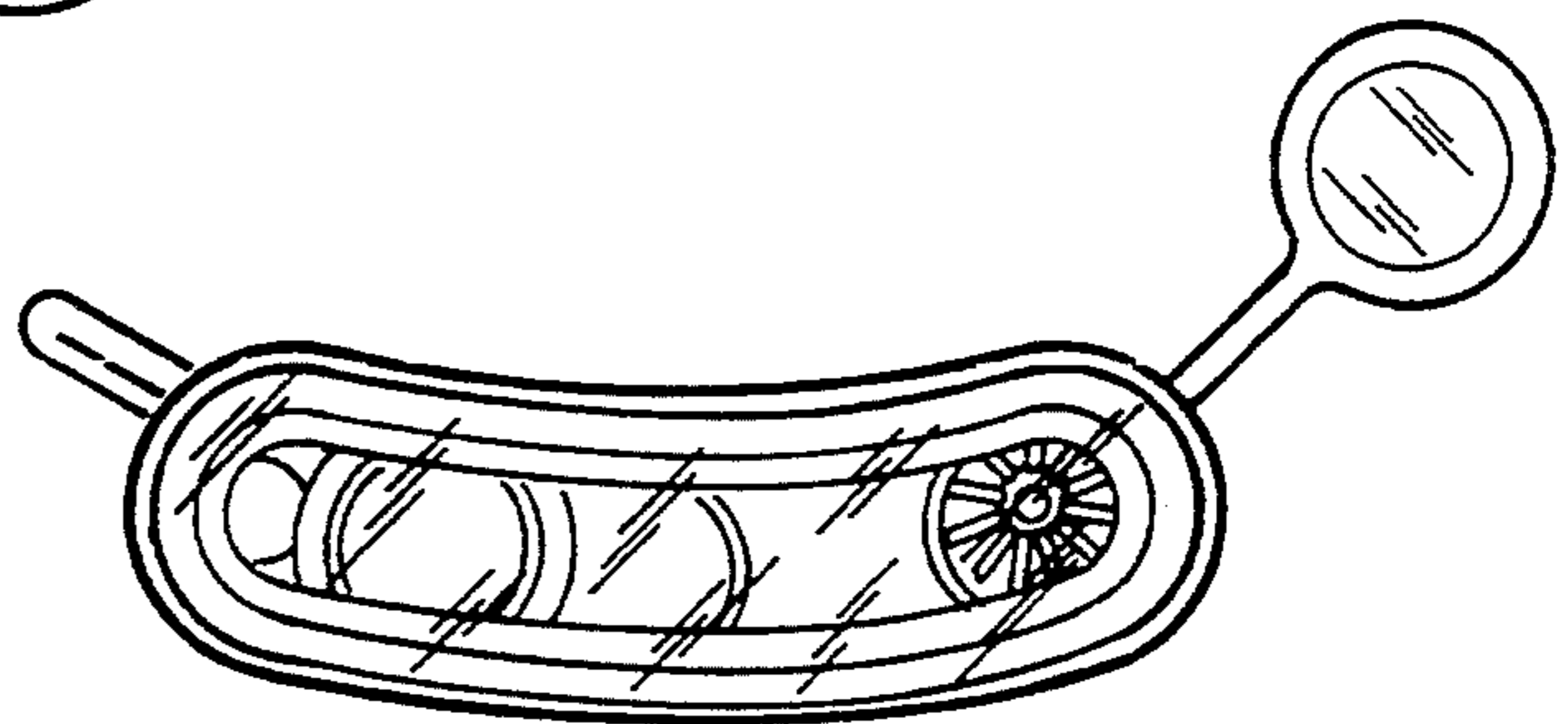


Fig. 4

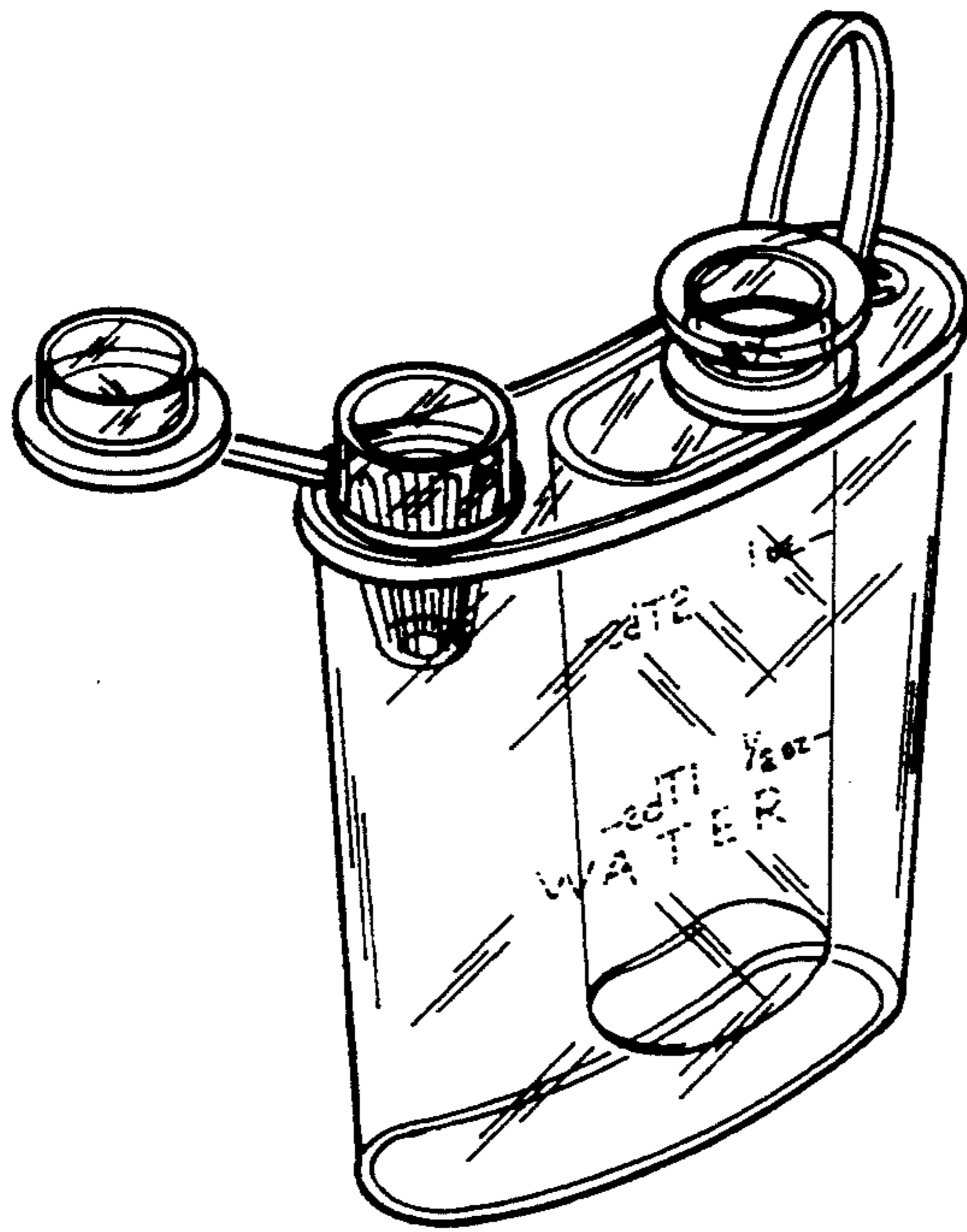


Fig. 5

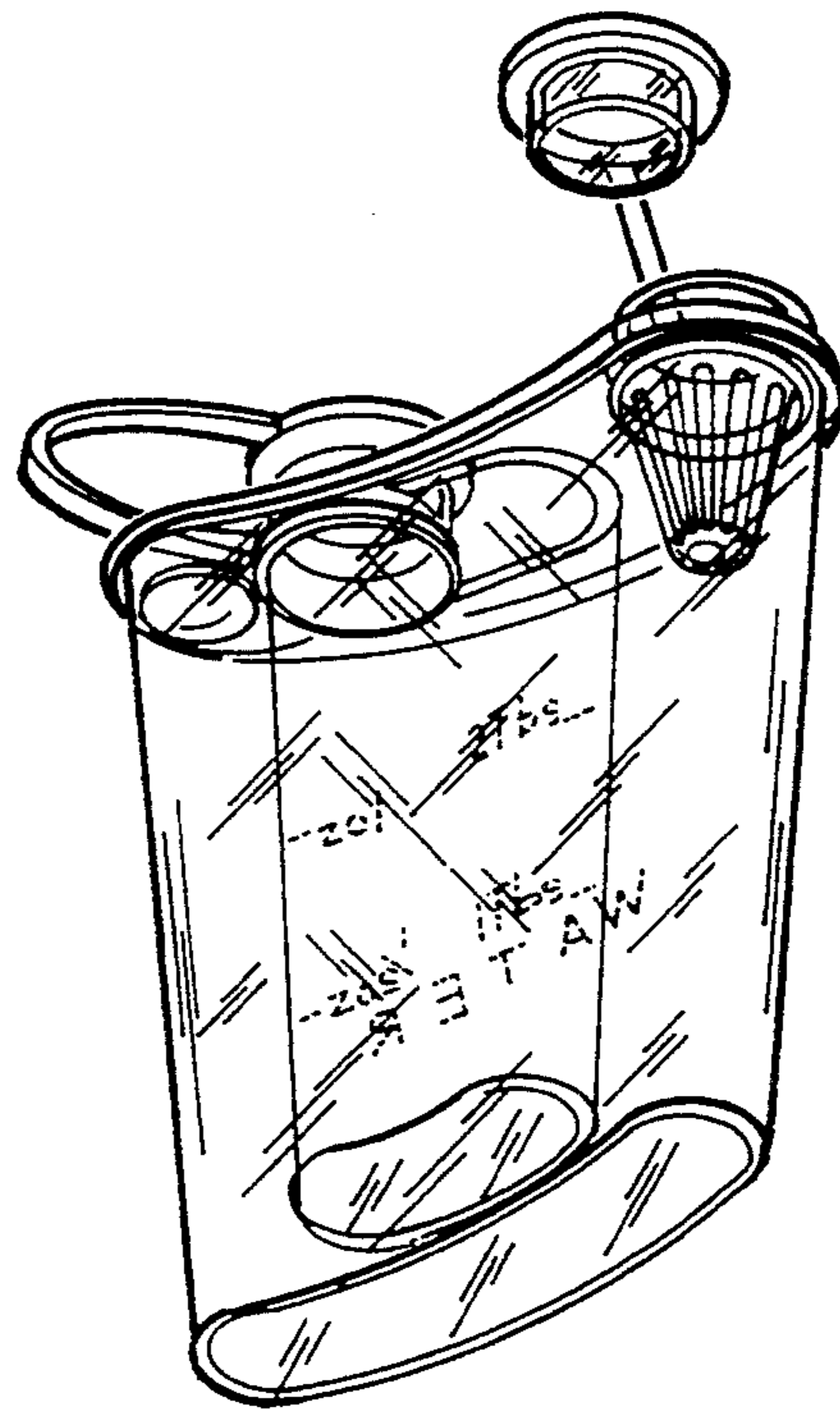


Fig. 6

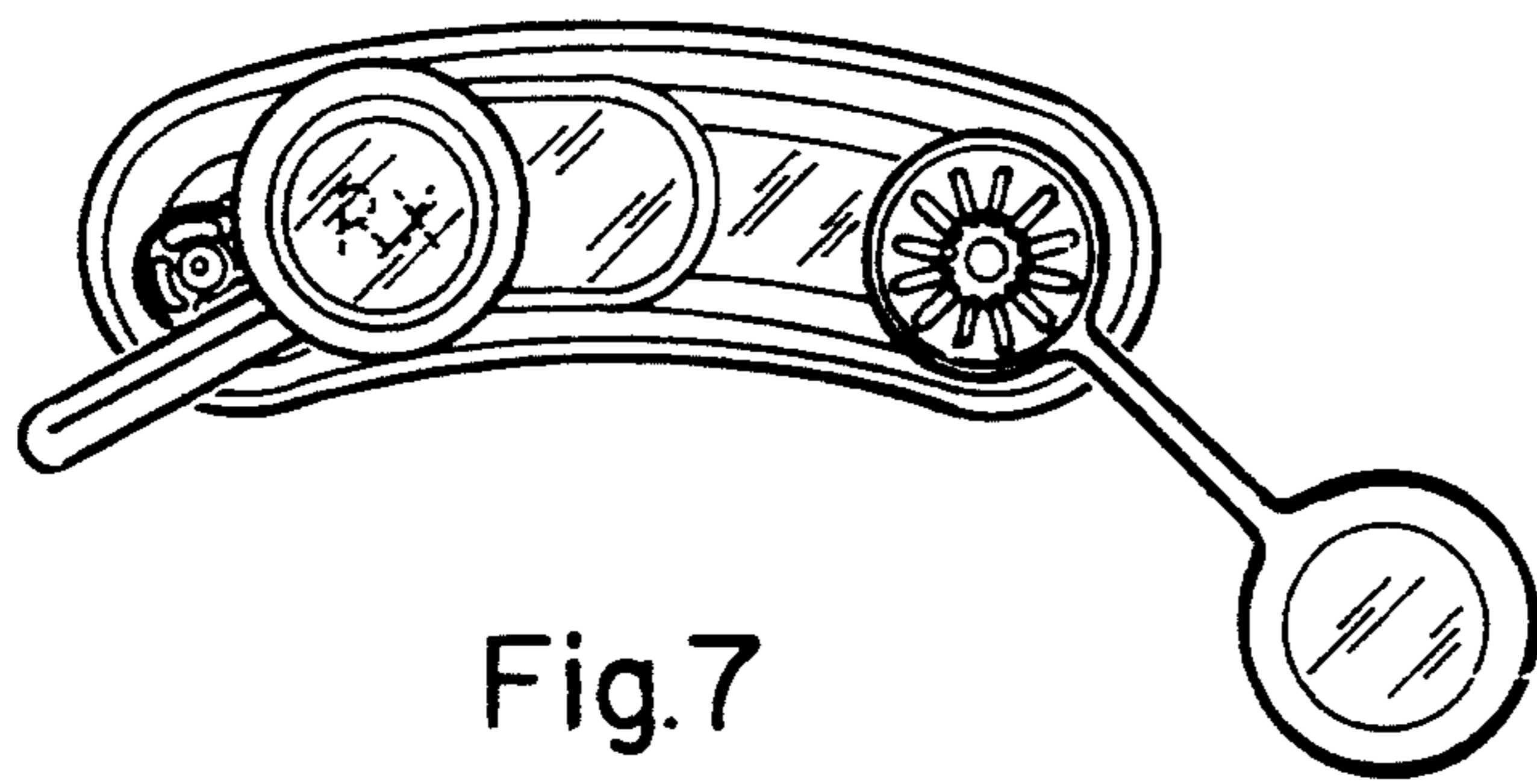


Fig. 7

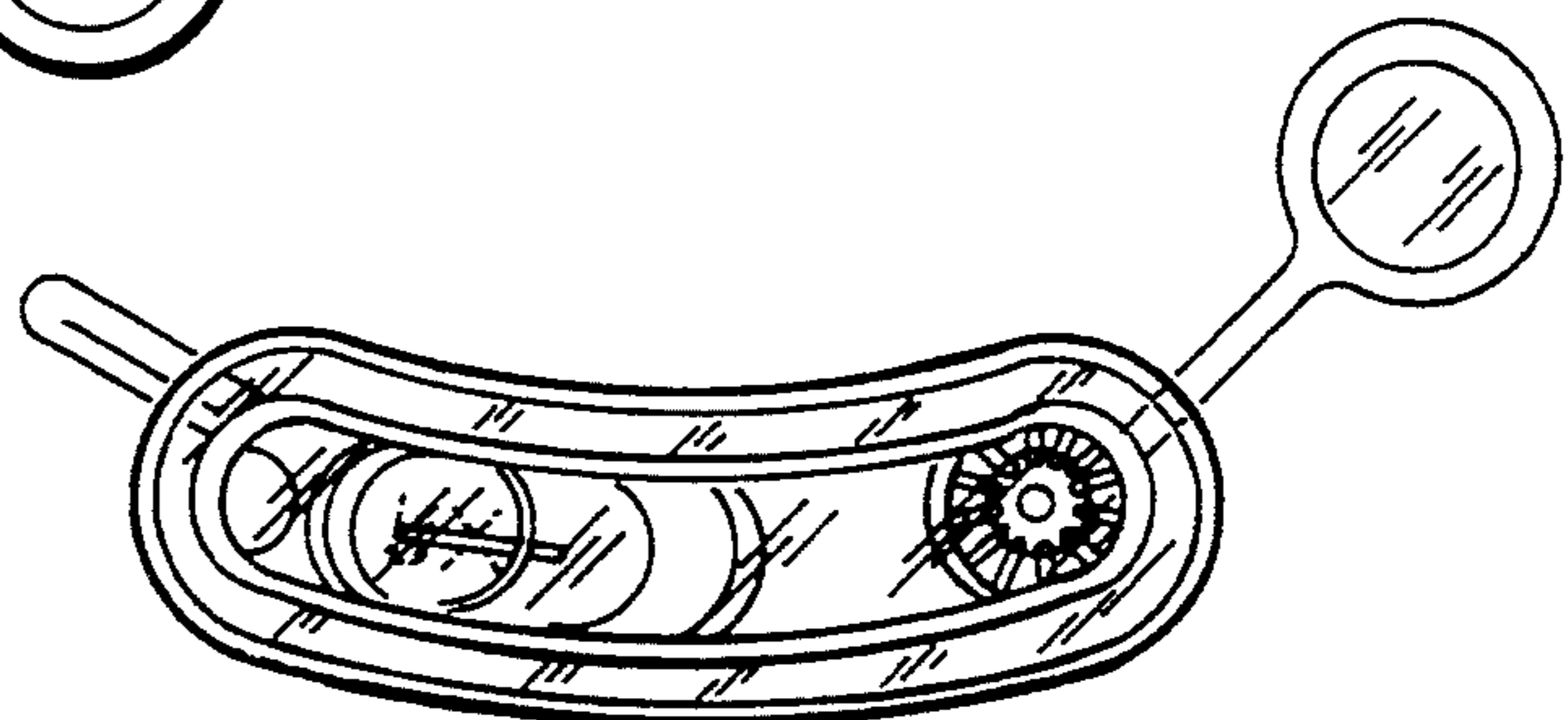


Fig. 8