



US00D351902S

United States Patent [19]

[11] Patent Number: **Des. 351,902**

Shaw

[45] Date of Patent: **** Oct. 25, 1994**

[54] THERAPEUTIC IONISER

[76] Inventor: **Joshua Shaw**, P.O. Box 686, Surfers Paradise, Queensland, Australia

[**] Term: **14 Years**

[21] Appl. No.: **3,595**

[22] Filed: **Jan. 11, 1993**

[52] U.S. Cl. **D23/364; D23/366**

[58] Field of Search **422/121, 122; D23/364, D23/365, 366, 368, 369, 355**

[56] **References Cited**

U.S. PATENT DOCUMENTS

D. 296,468 6/1988 Greubel D23/364

OTHER PUBLICATIONS

Sharper Image Cat., p. 35, Travel Ion, top right side of page.

Primary Examiner—Lisa P. Lichtenstein
Attorney, Agent, or Firm—Lockwood Alex Fitzbiggon & Cummings

[57] **CLAIM**

The ornamental design for a therapeutic ioniser, as shown.

DESCRIPTION

FIG. 1 is a perspective view of the therapeutic ioniser showing my new design;
FIG. 2 is a front elevational view thereof;
FIG. 3 is an elevational view of one side thereof;
FIG. 4 is an elevational view of the other side thereof;
FIG. 5 is the back elevational view thereof;
FIG. 6 is a top plan view thereof; and,
FIG. 7 is a bottom view thereof, with the slidable bottom cover shown removed.

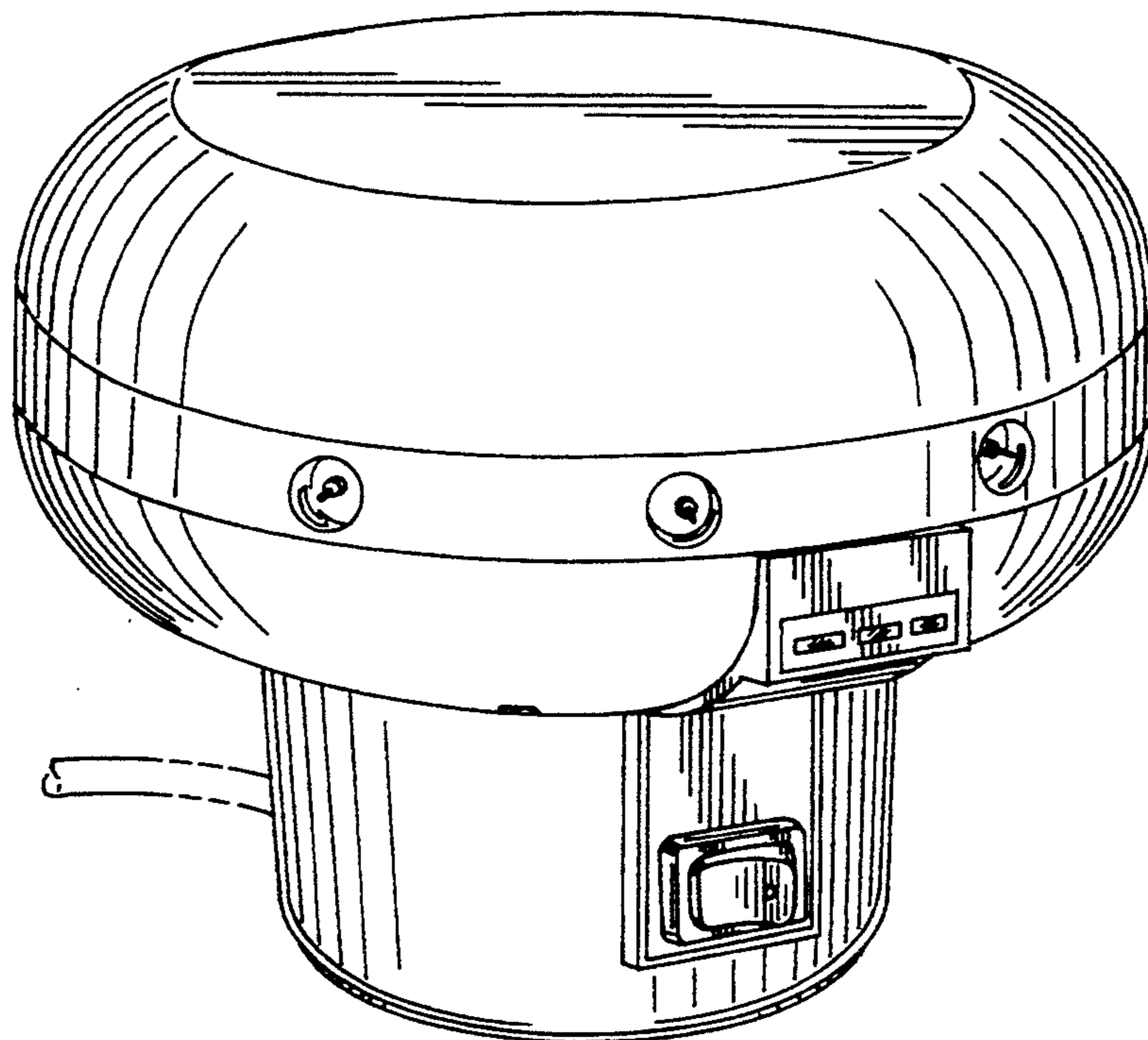


FIG. 1

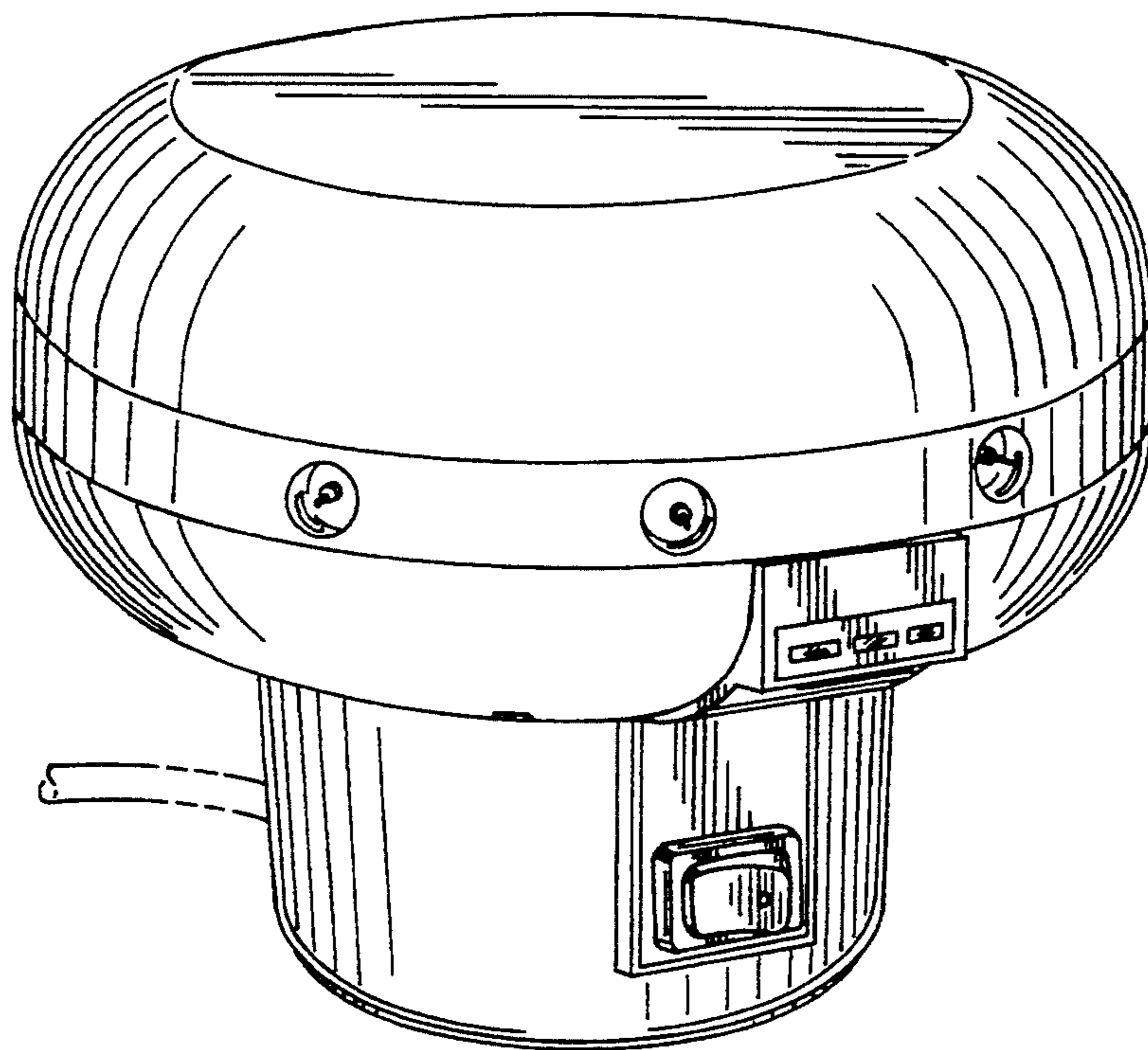


FIG. 2

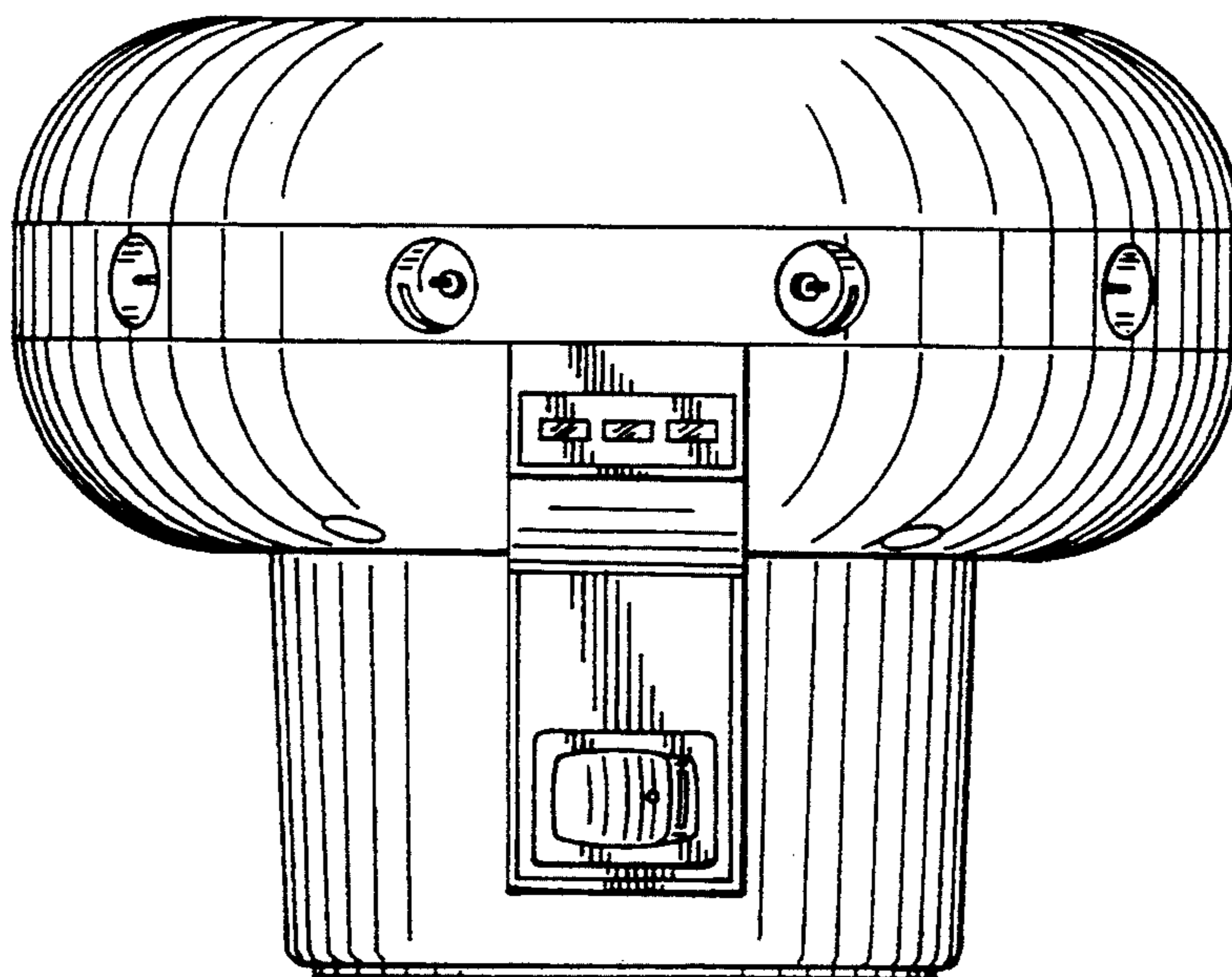


FIG. 3

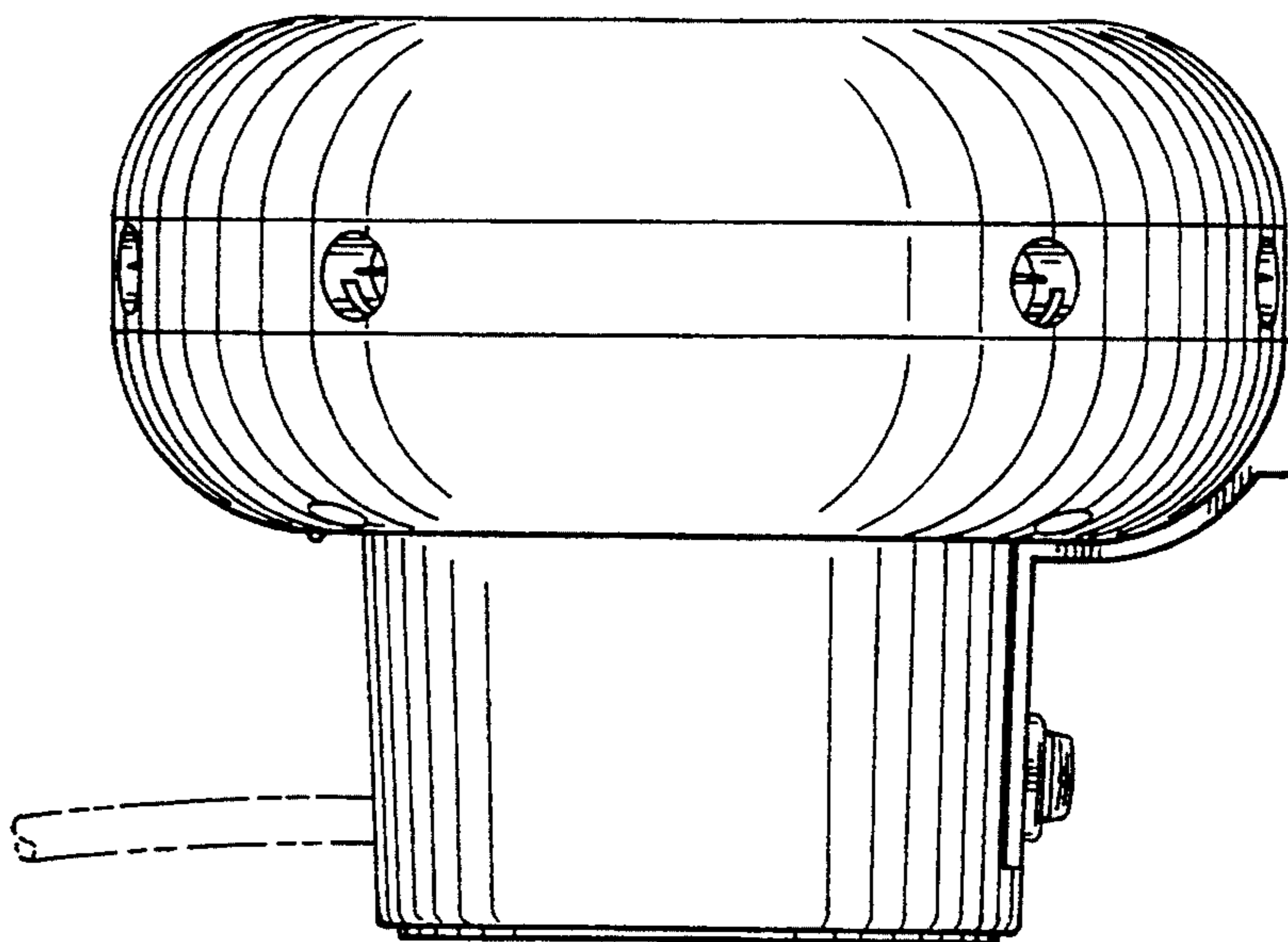


FIG. 4

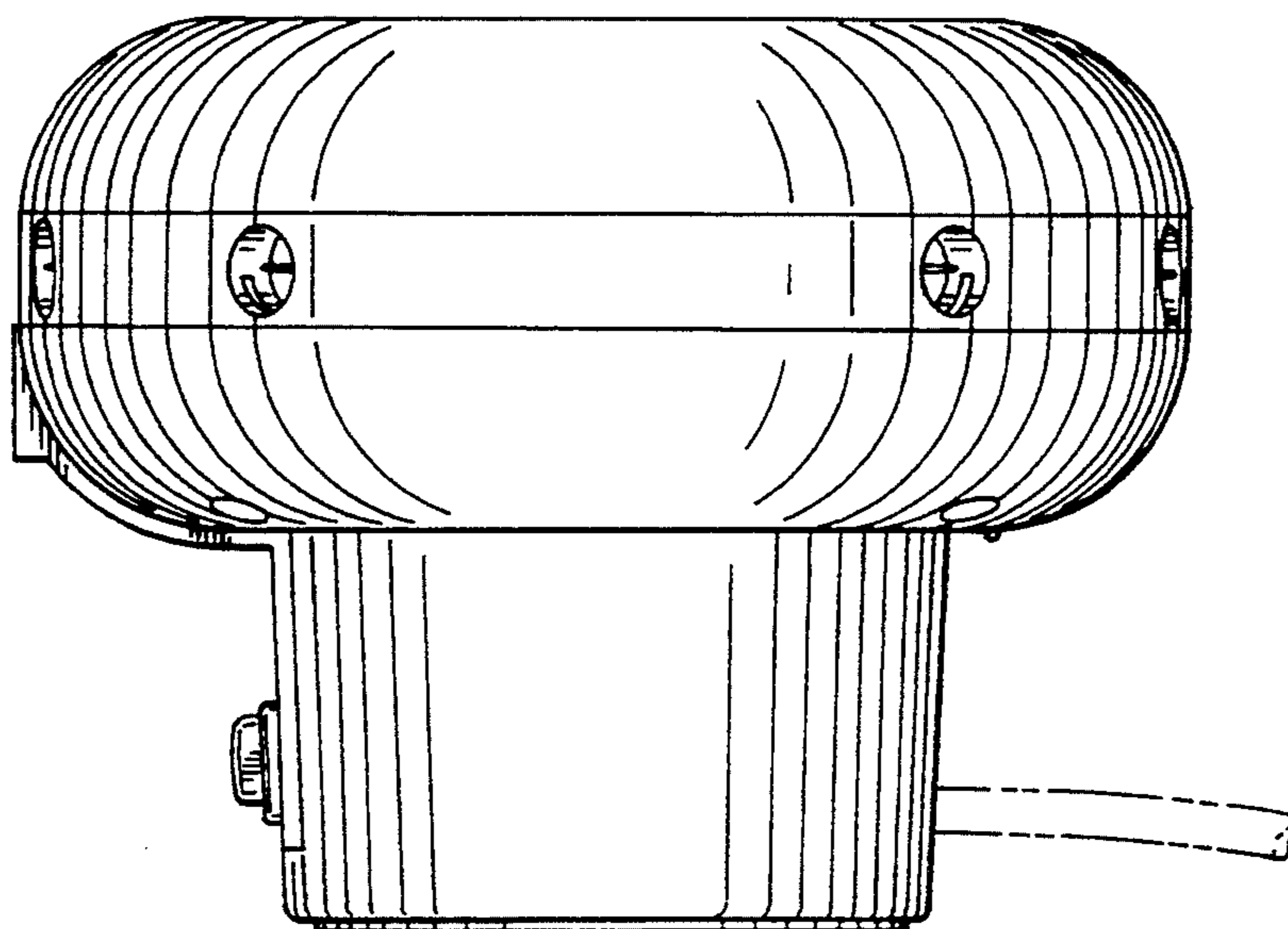


FIG. 5

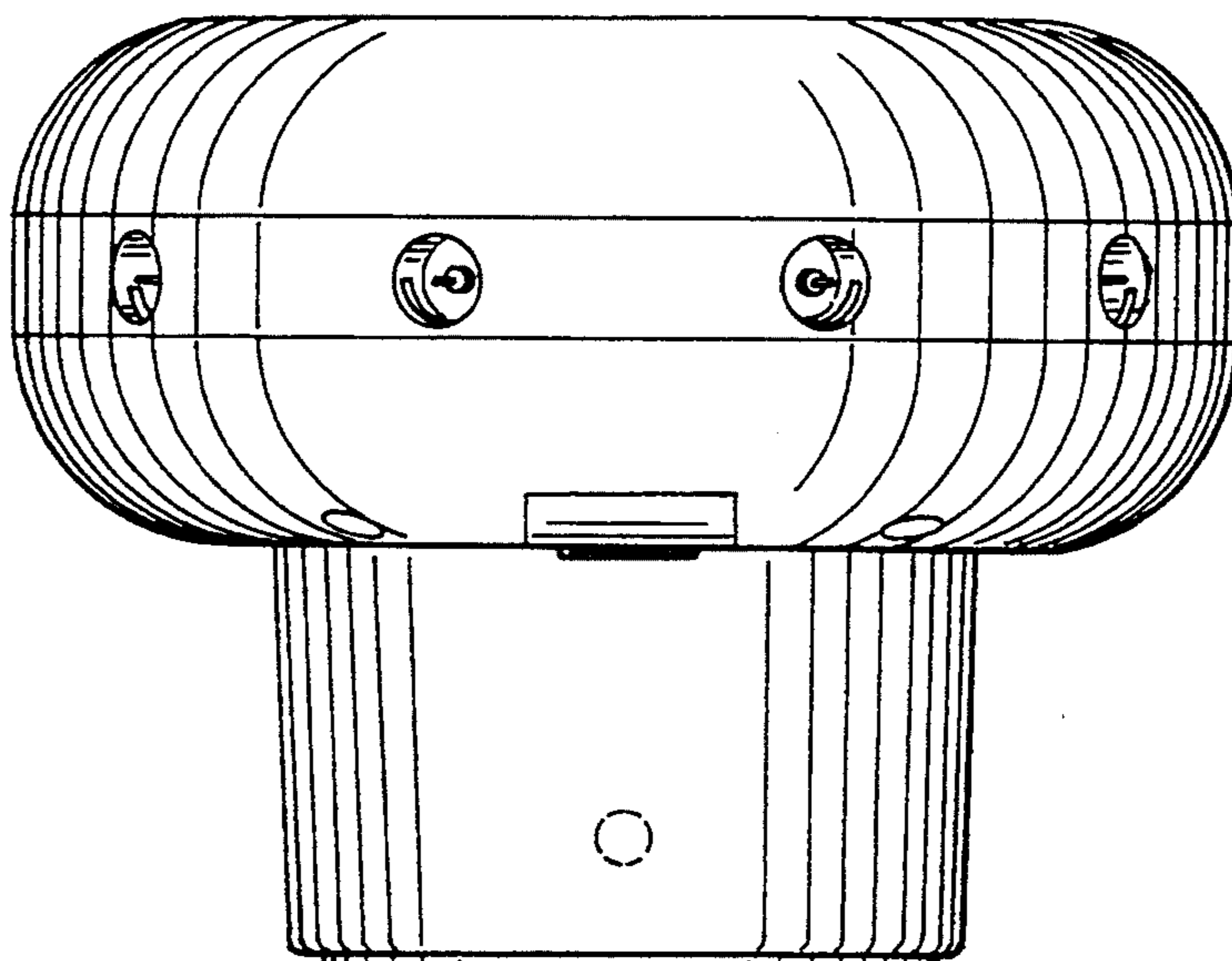


FIG. 6

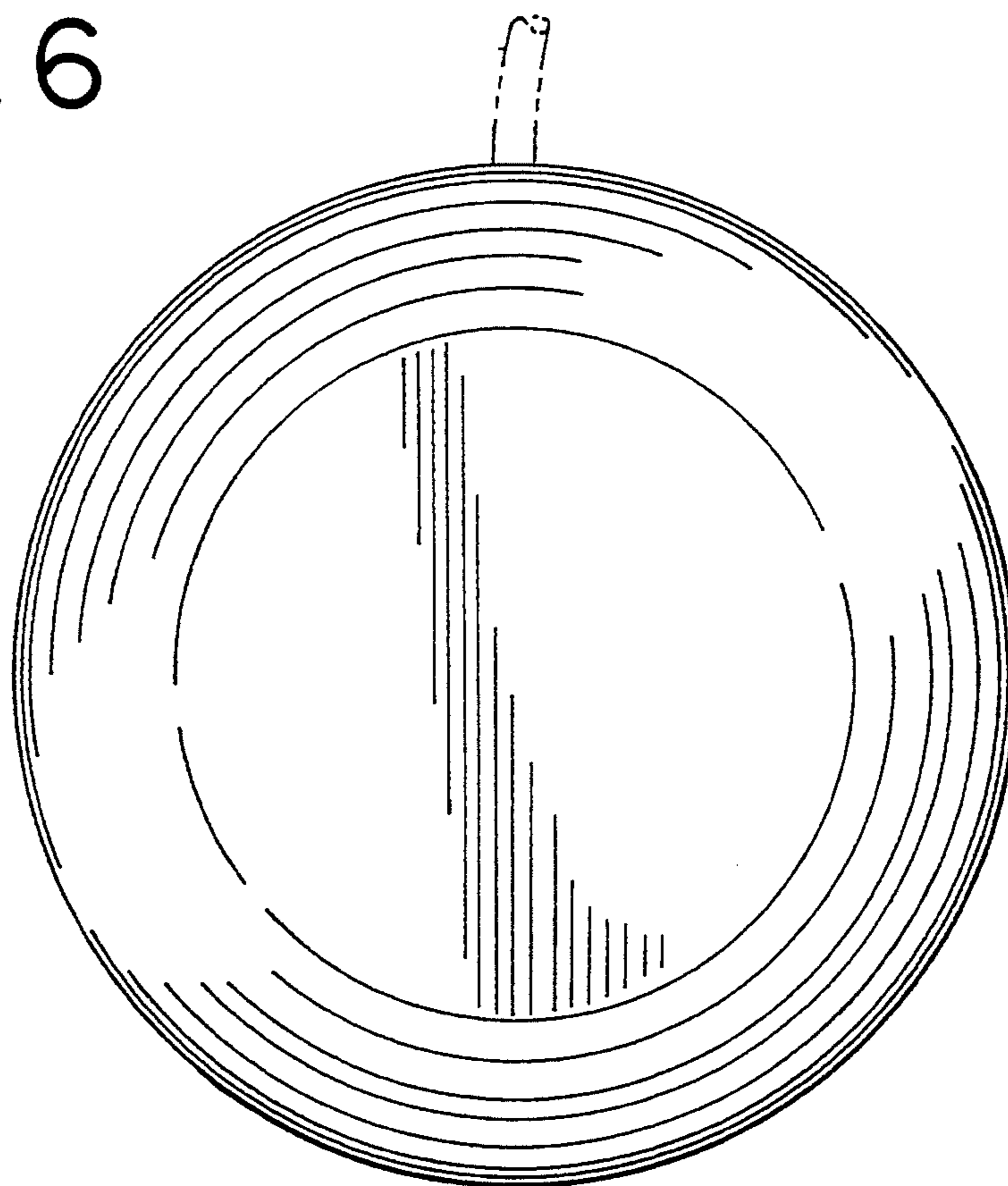


FIG. 7

