



US00D351901S

United States Patent [19]

[11] Patent Number: **Des. 351,901**

Boruch et al.

[45] Date of Patent: **** Oct. 25, 1994**

[54] **COMBINATION HAND-HELD FAN AND FLASHLIGHT**

D. 322,844 12/1991 Leon, Jr. D23/382
4,045,663 8/1977 Young 362/253

[76] Inventors: **Stanley T. Boruch; Annette H. Boruch**, both of 2 Utah Ct., Jackson, N.J. 08527

FOREIGN PATENT DOCUMENTS

3337241 5/1984 Fed. Rep. of Germany 416/63

[**] Term: **14 Years**

Primary Examiner—Lisa P. Lichtenstein
Attorney, Agent, or Firm—Rhodes & Ascolillo

[21] Appl. No.: **18,176**

[57] CLAIM

[22] Filed: **Jan. 31, 1994**

The ornamental design for a combination hand-held fan and flashlight, as shown.

[52] U.S. Cl. **D23/328; D23/332; D23/382; D26/38; D26/59**

DESCRIPTION

[58] **Field of Search** 362/96, 109, 253; 416/5, 63, 146 R; D23/370, 328, 332, 335, 381, 382, 411, 412; D26/38, 59, 50

FIG. 1 is a perspective view of a combination hand-held fan and flashlight showing our new design thereof; FIG. 2 is a front elevational view; FIG. 3 is a rear elevational view; FIG. 4 is a top plan view; FIG. 5 is a left side elevational view; FIG. 6 is a right side elevational view; and, FIG. 7 is a bottom plan view.

[56] References Cited

U.S. PATENT DOCUMENTS

D. 275,328 8/1984 Yin et al. D26/38
D. 314,617 2/1991 Yuen D23/370

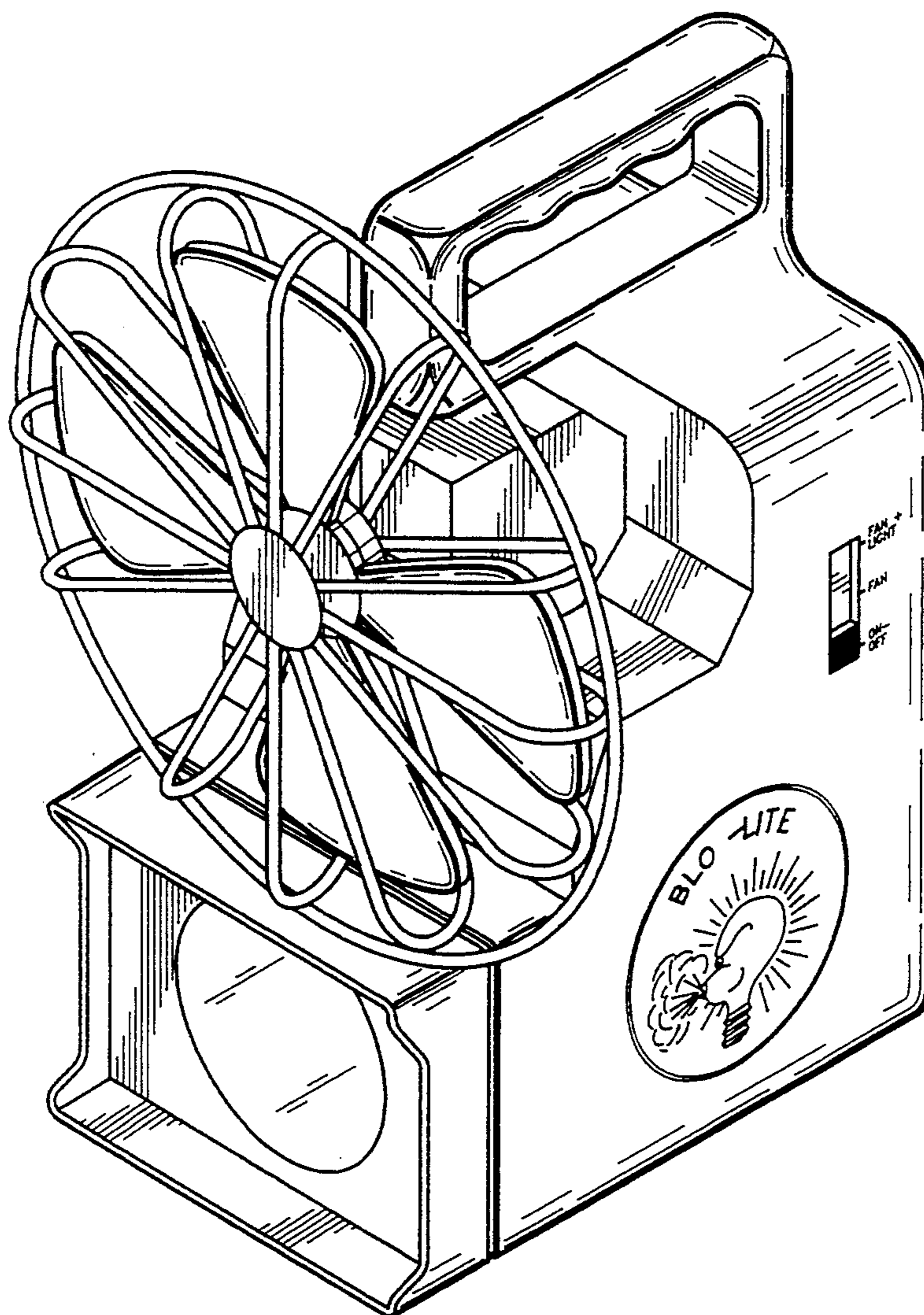


Fig. 1

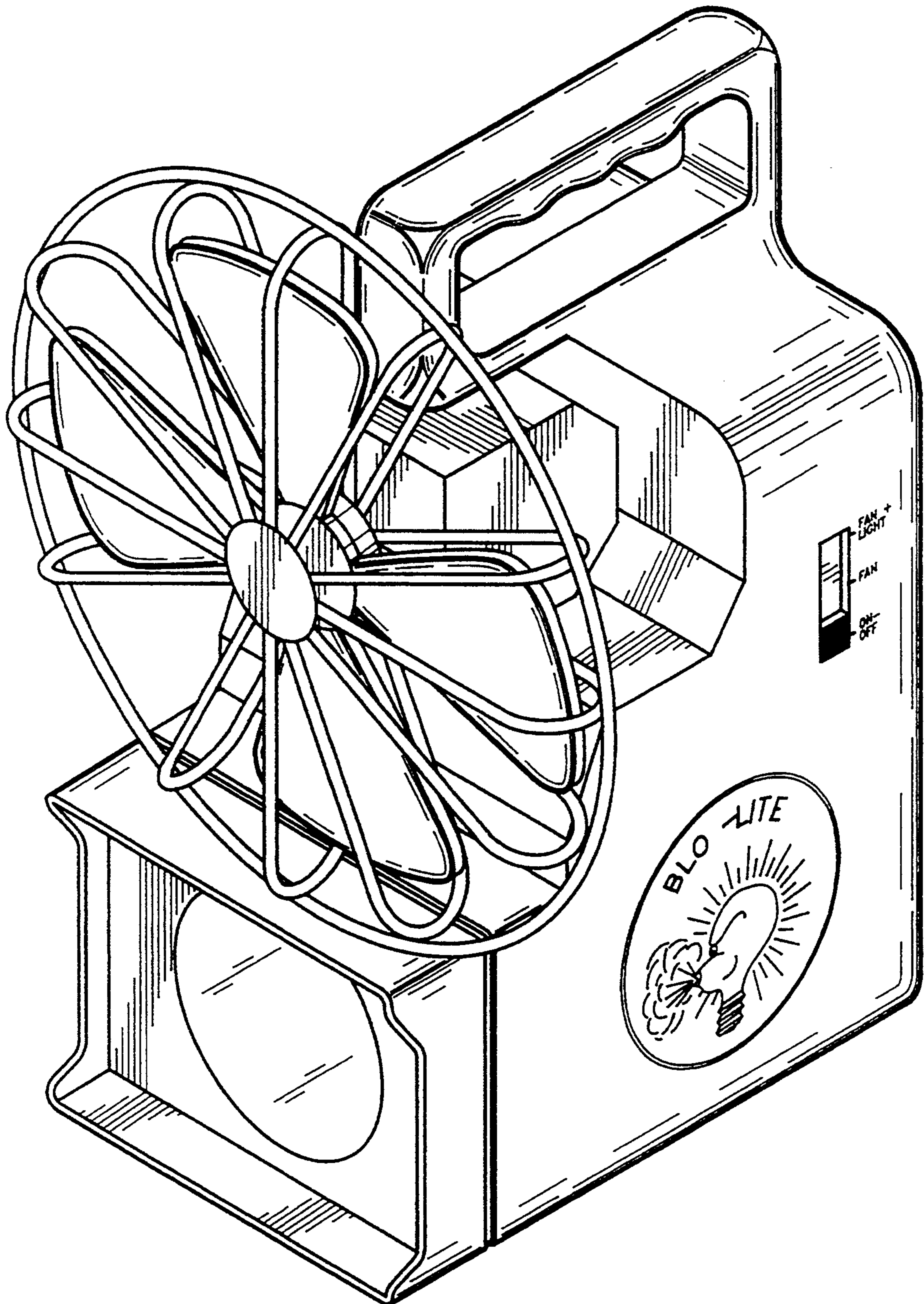


Fig. 3

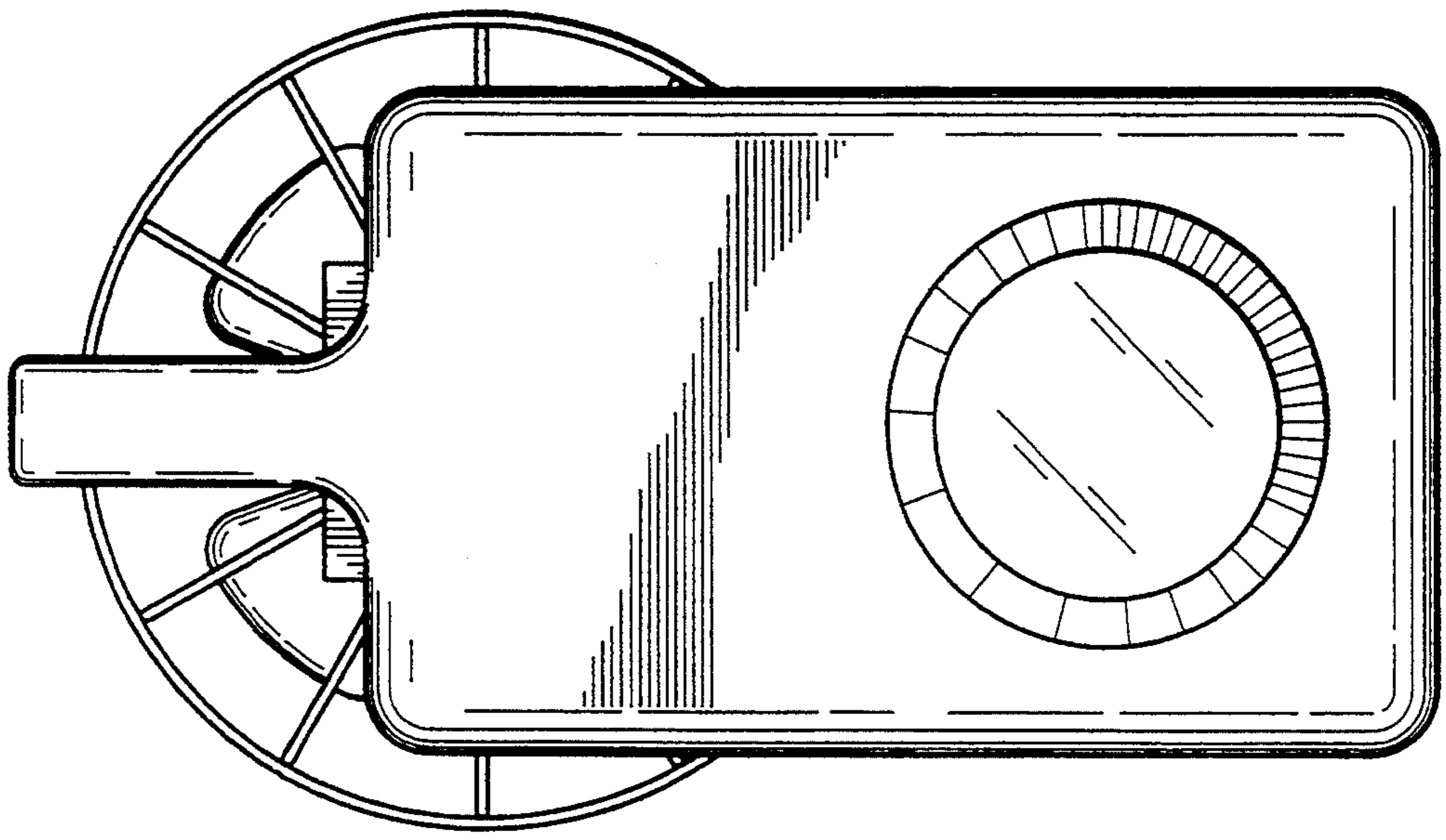


Fig. 2

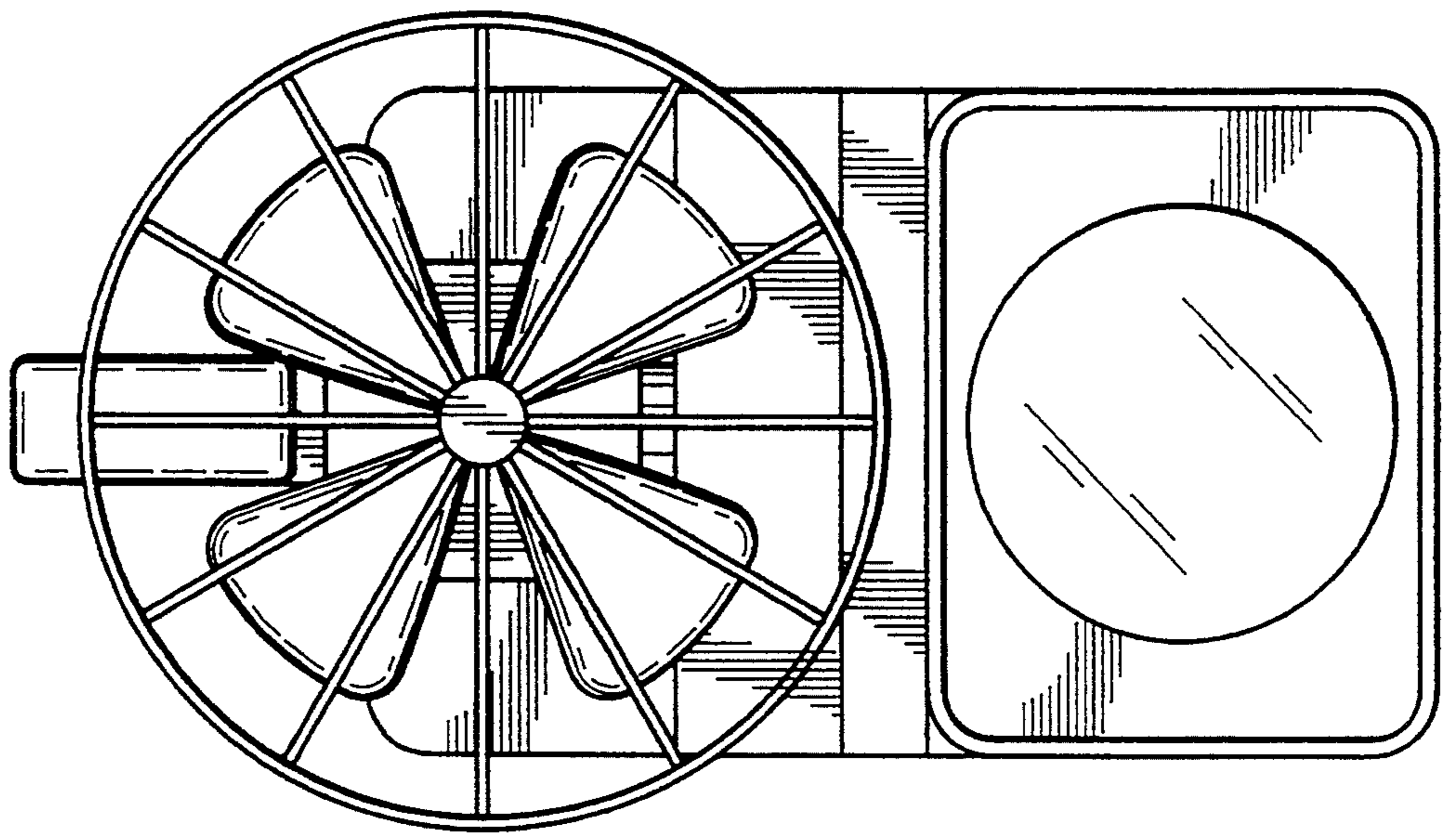


Fig. 4

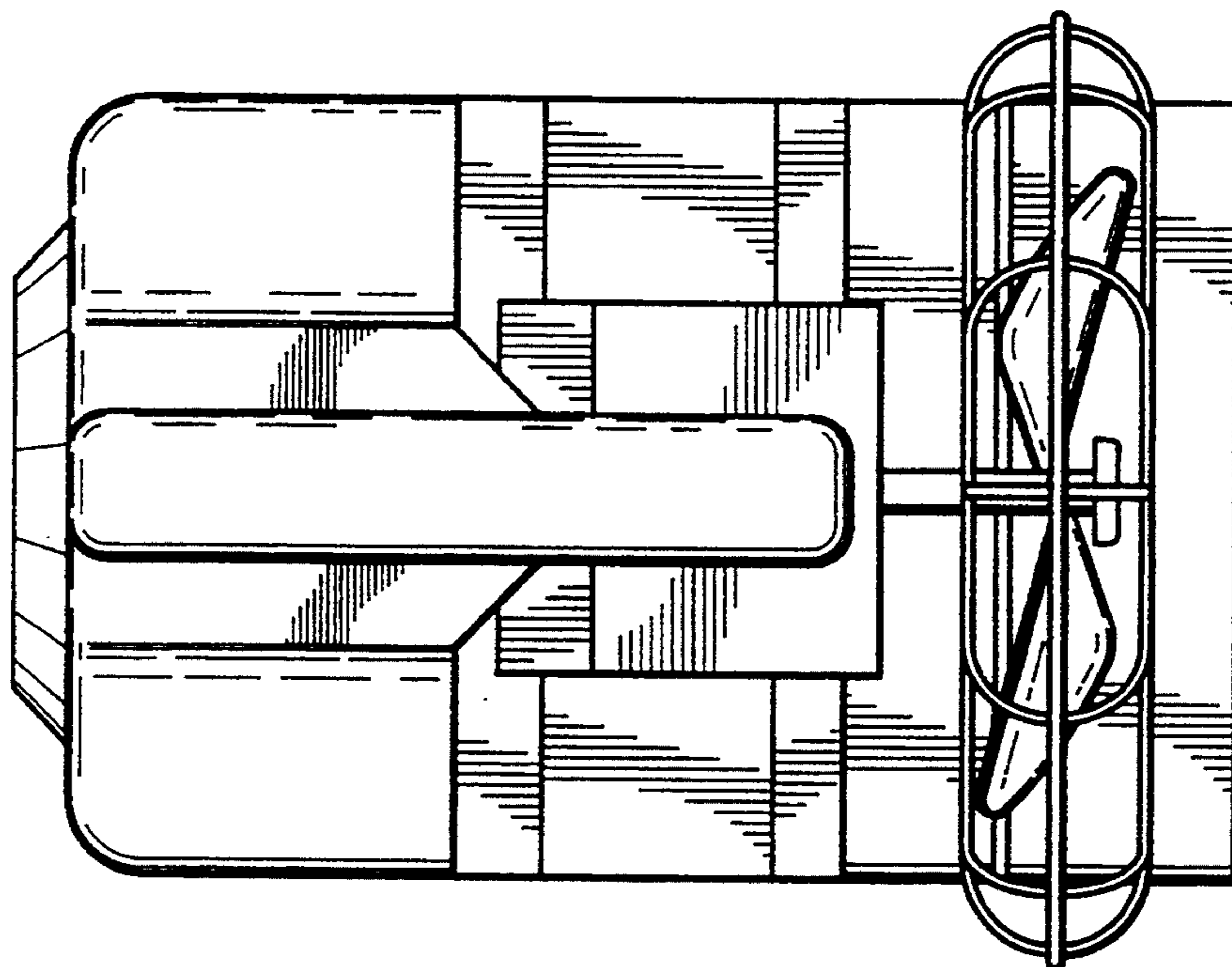


Fig. 7

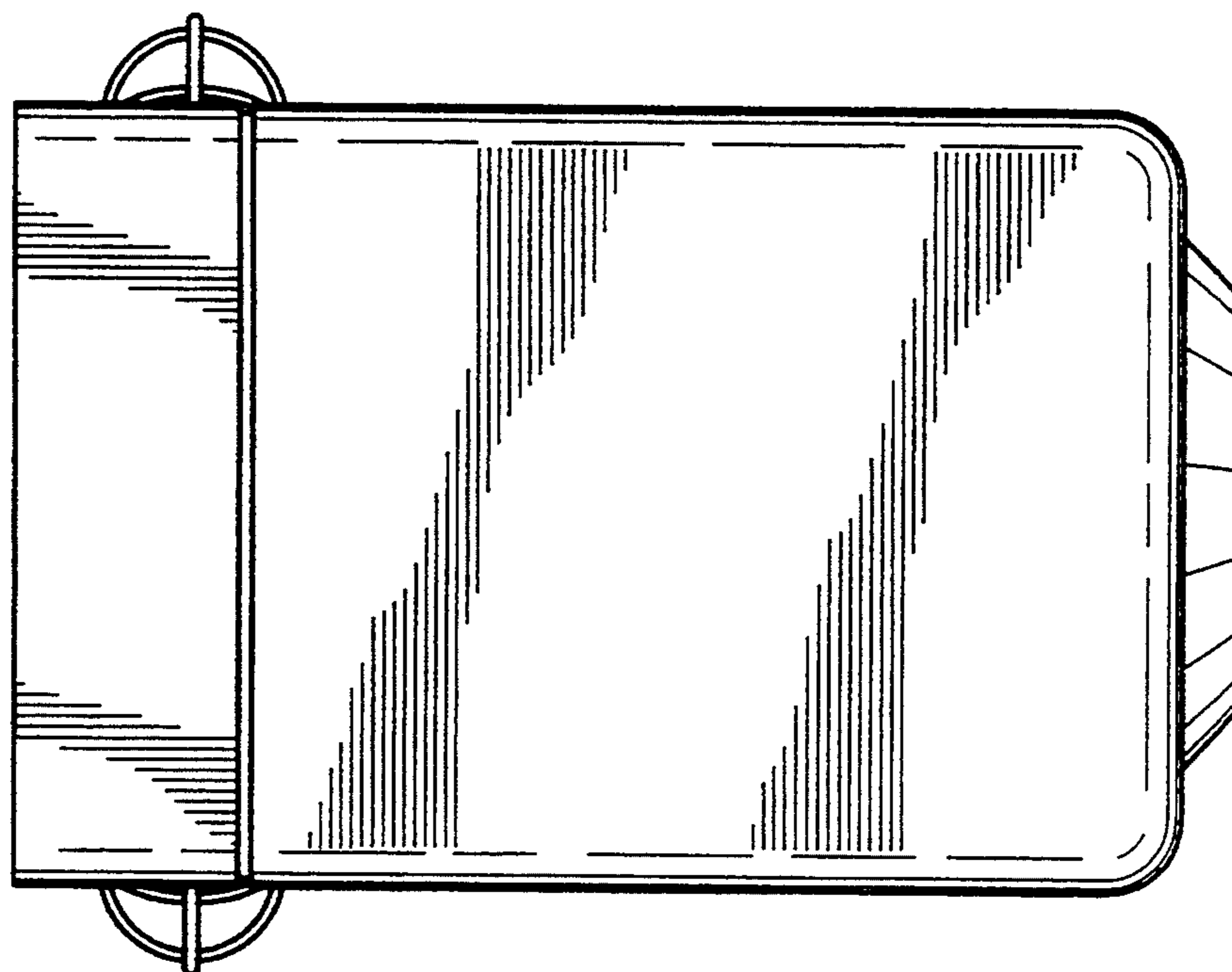


Fig. 6

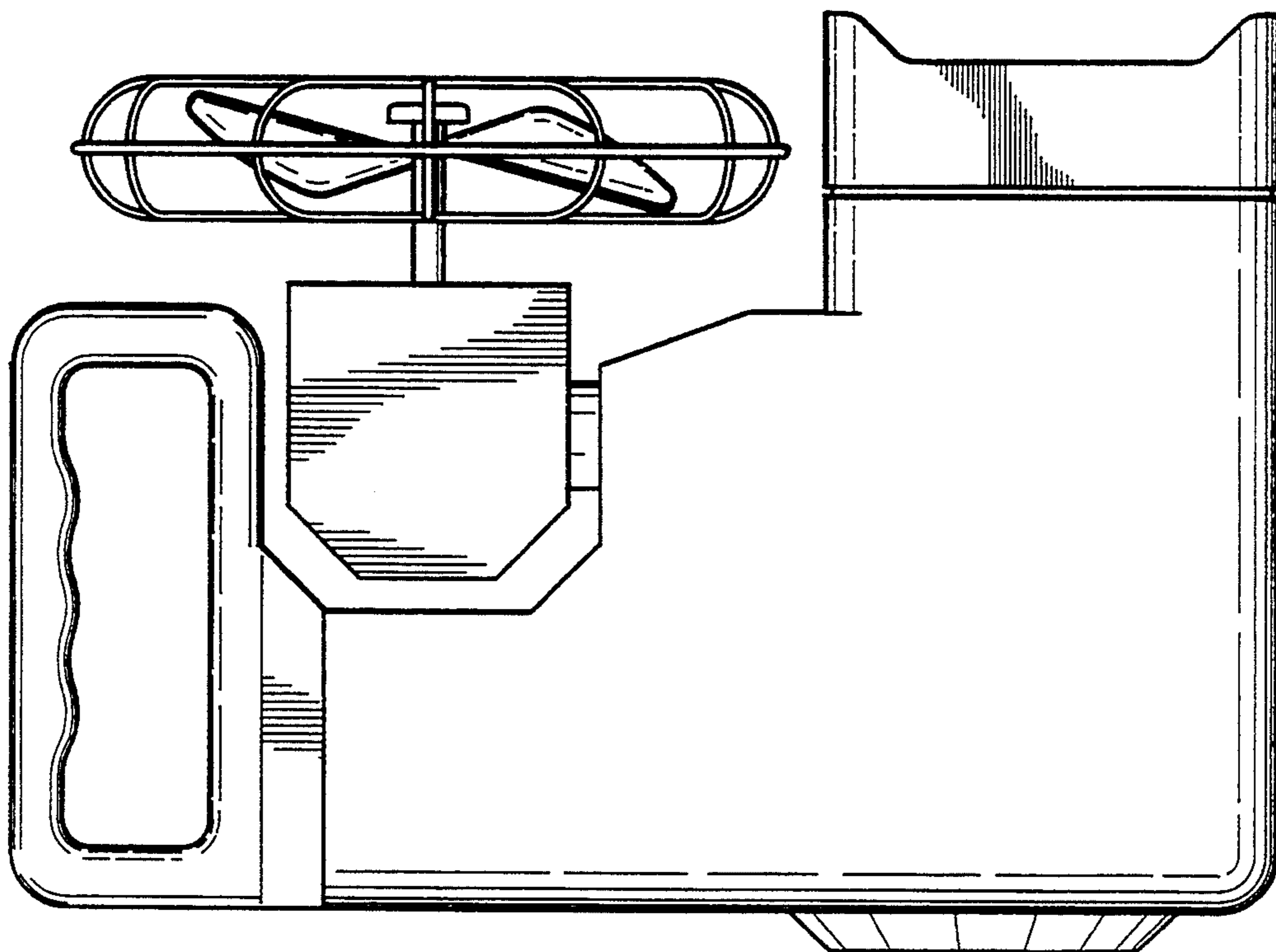


Fig. 5

