



US00D351897S

# United States Patent [19]

[11] Patent Number: **Des. 351,897**

**Keeslar**

[45] Date of Patent: **\*\* Oct. 25, 1994**

- [54] HOUSING FOR DIAPHRAM VALVE
- [76] Inventor: **Donald J. Keeslar**, 1601 Bay Meadows Dr., Modesto, Calif. 95350
- [\*\*] Term: **14 Years**
- [21] Appl. No.: **13,801**
- [22] Filed: **Oct. 1, 1993**
- [52] U.S. Cl. .... **D23/233**
- [58] Field of Search ..... 251/61.1, 331;  
D23/233-237, 244-249

*Primary Examiner*—A. Hugo Word  
*Assistant Examiner*—Eric Watterson  
*Attorney, Agent, or Firm*—Basil Travis

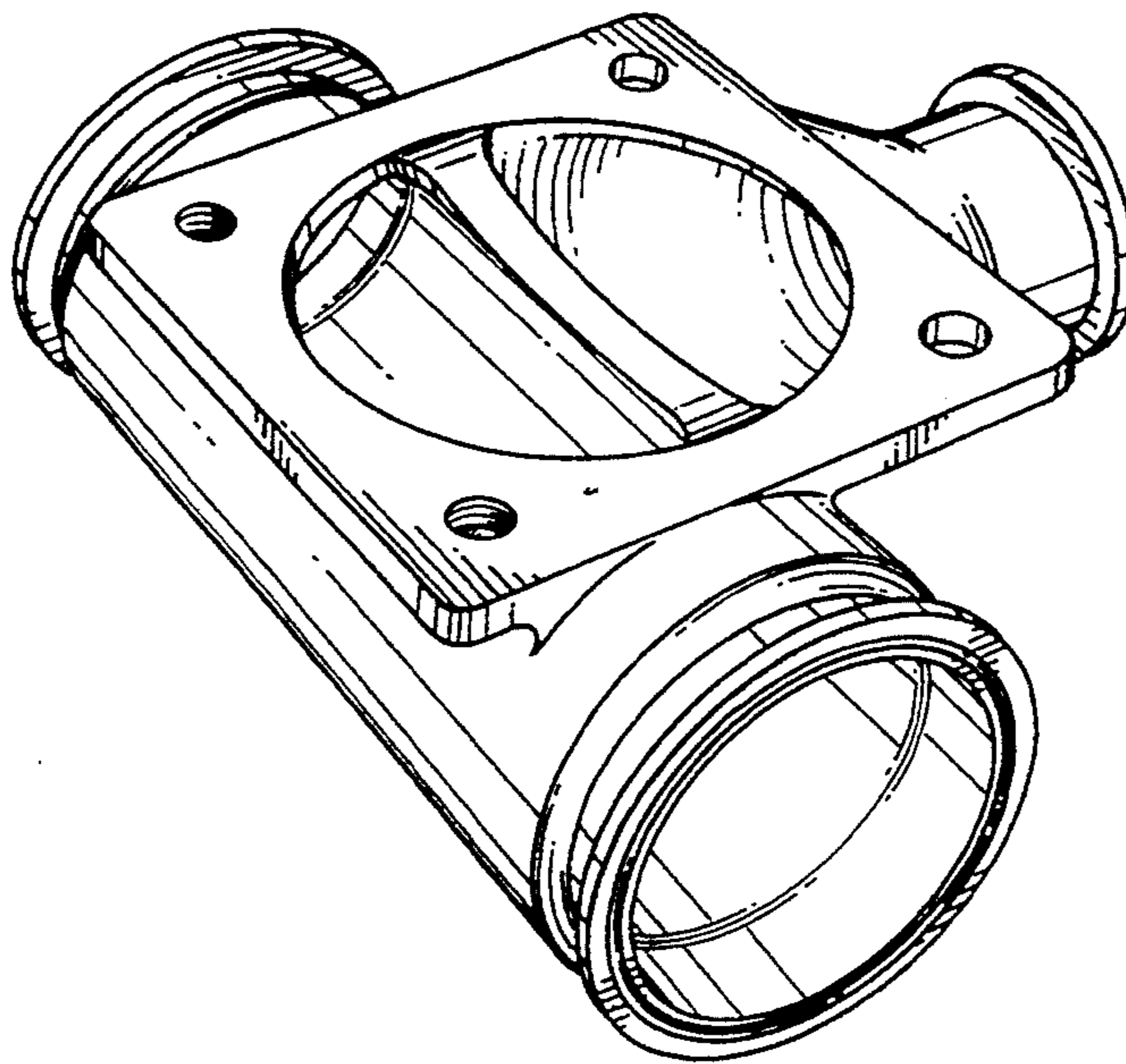
### [57] CLAIM

The ornamental design for a housing for diaphragm valve, as shown and described.

### DESCRIPTION

FIG. 1 is a bottom perspective view as viewed from the rear and one side;  
 FIG. 2 is a top plan view;  
 FIG. 3 is a front elevational view;  
 FIG. 4 is a bottom plan view;  
 FIG. 5 is a rear elevational view; and,  
 FIG. 6 is a left side elevational view, the opposite side being a mirror image thereof.

- [56] **References Cited**
- U.S. PATENT DOCUMENTS**
- 4,221,361 9/1980 Weingarten ..... 251/61.1 X
- 4,274,452 6/1987 Schmitt ..... 251/61.1 X
- 5,201,492 4/1993 Beauvir ..... 251/331



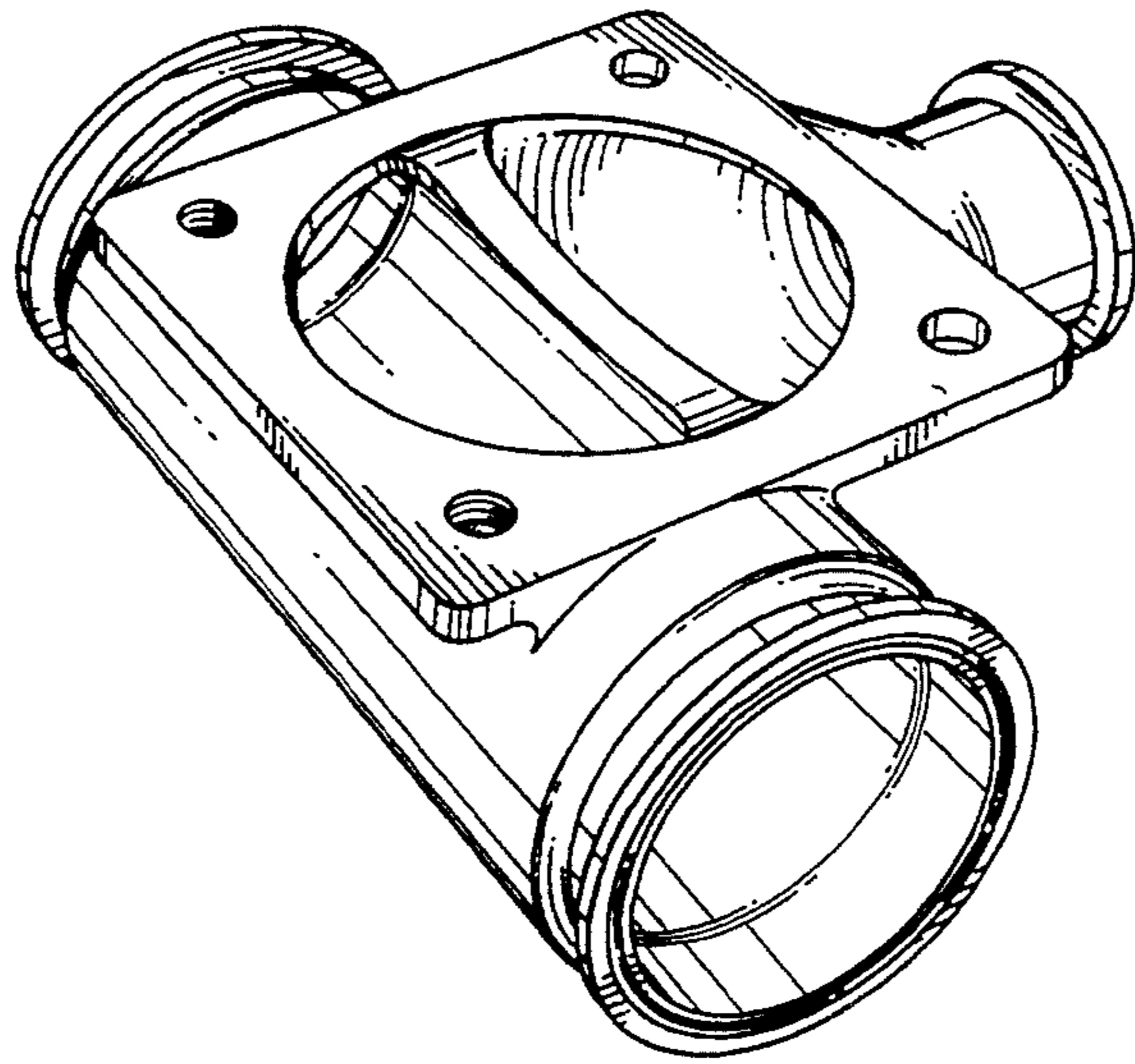


FIG. 1

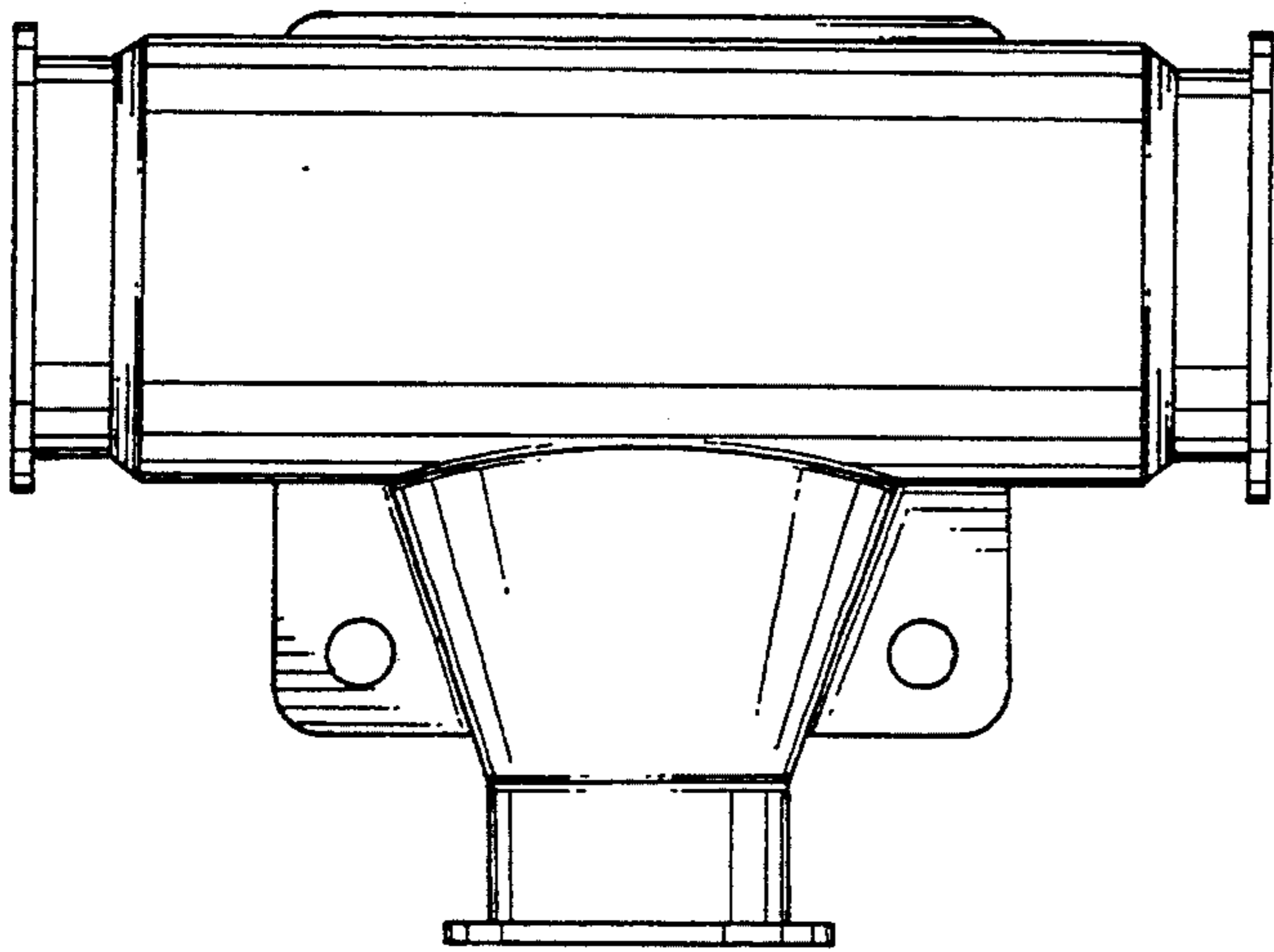
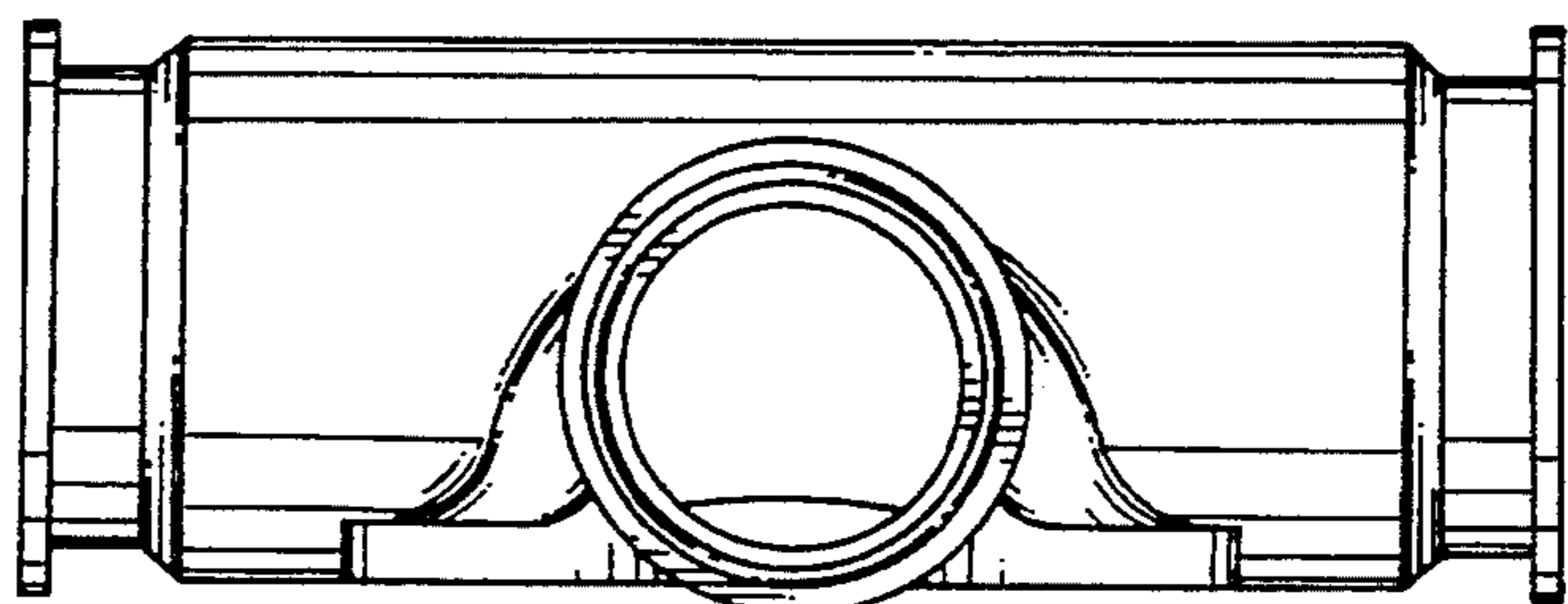


FIG. 2

FIG. 3



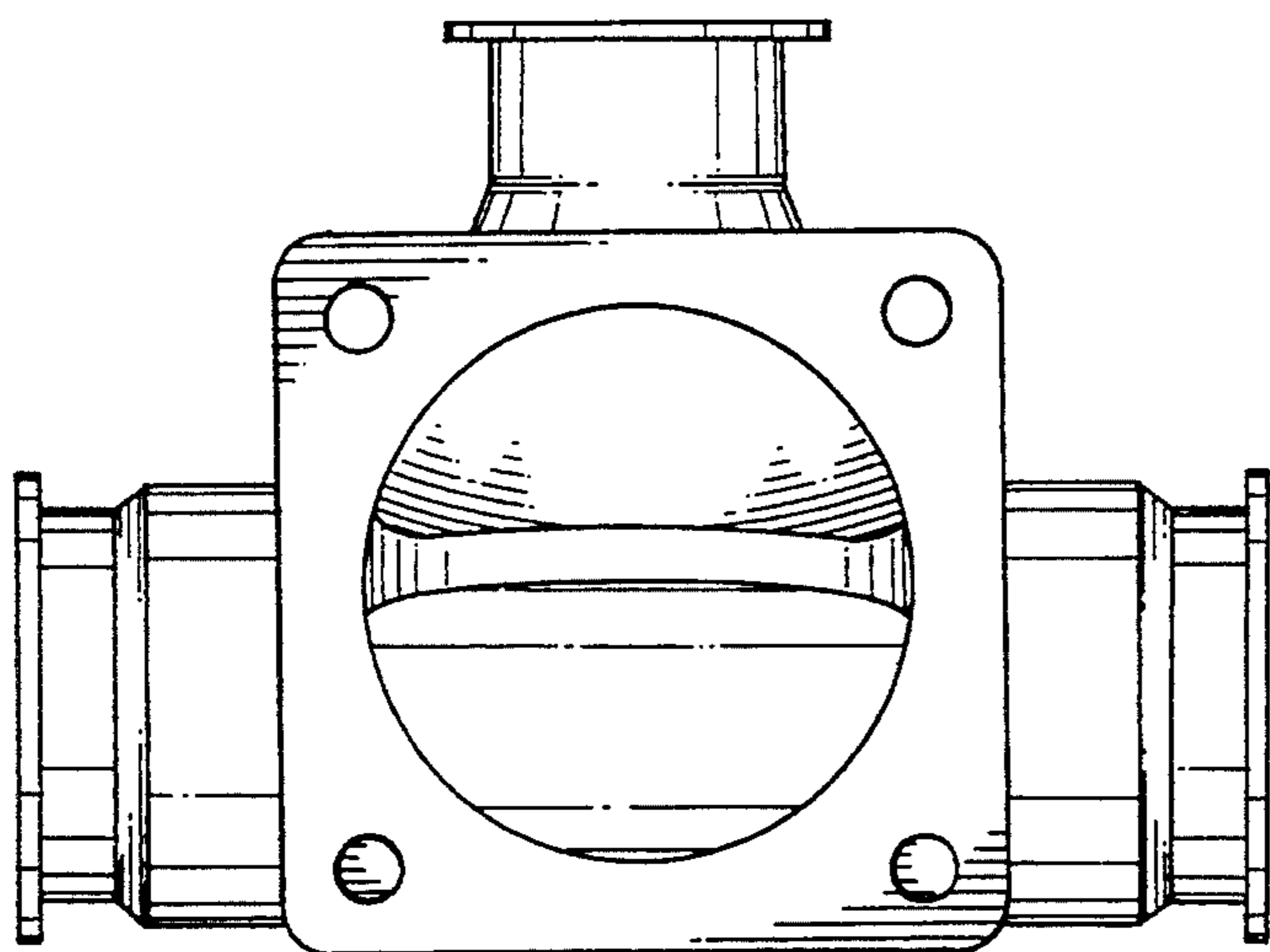


FIG. 4

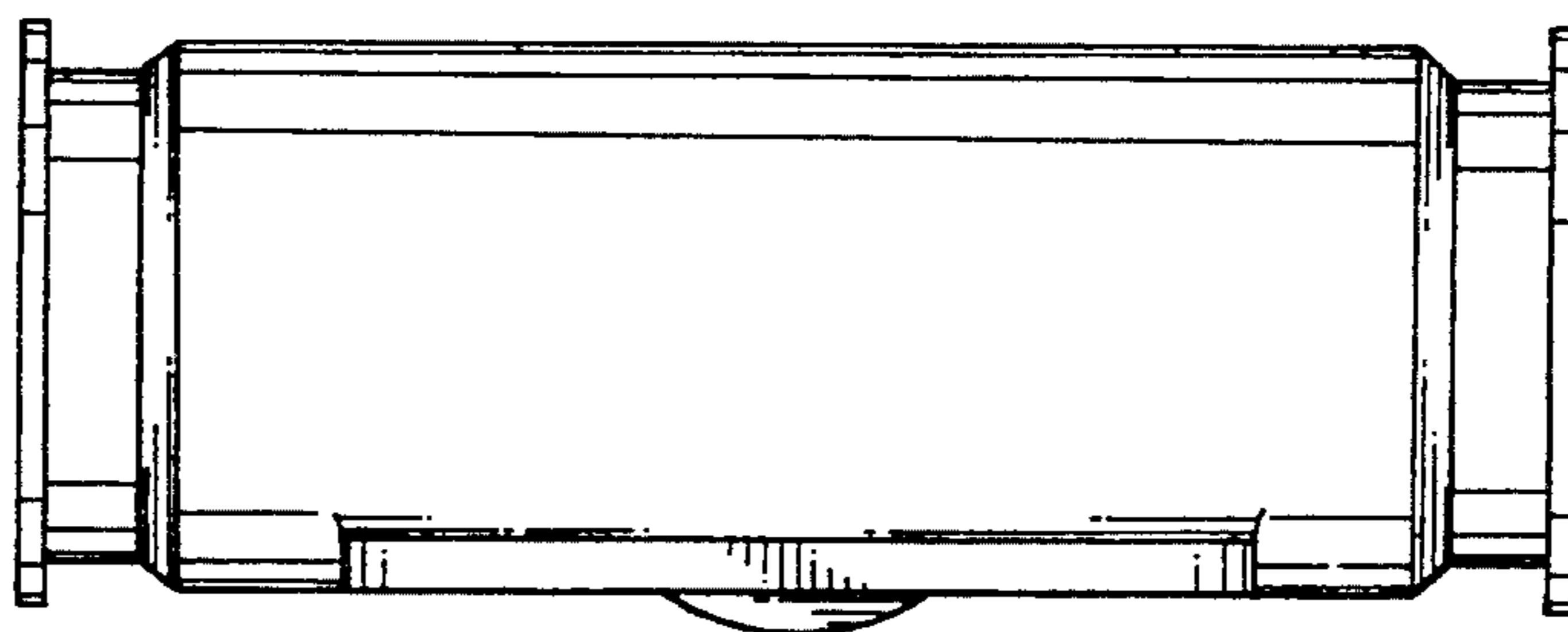


FIG. 5

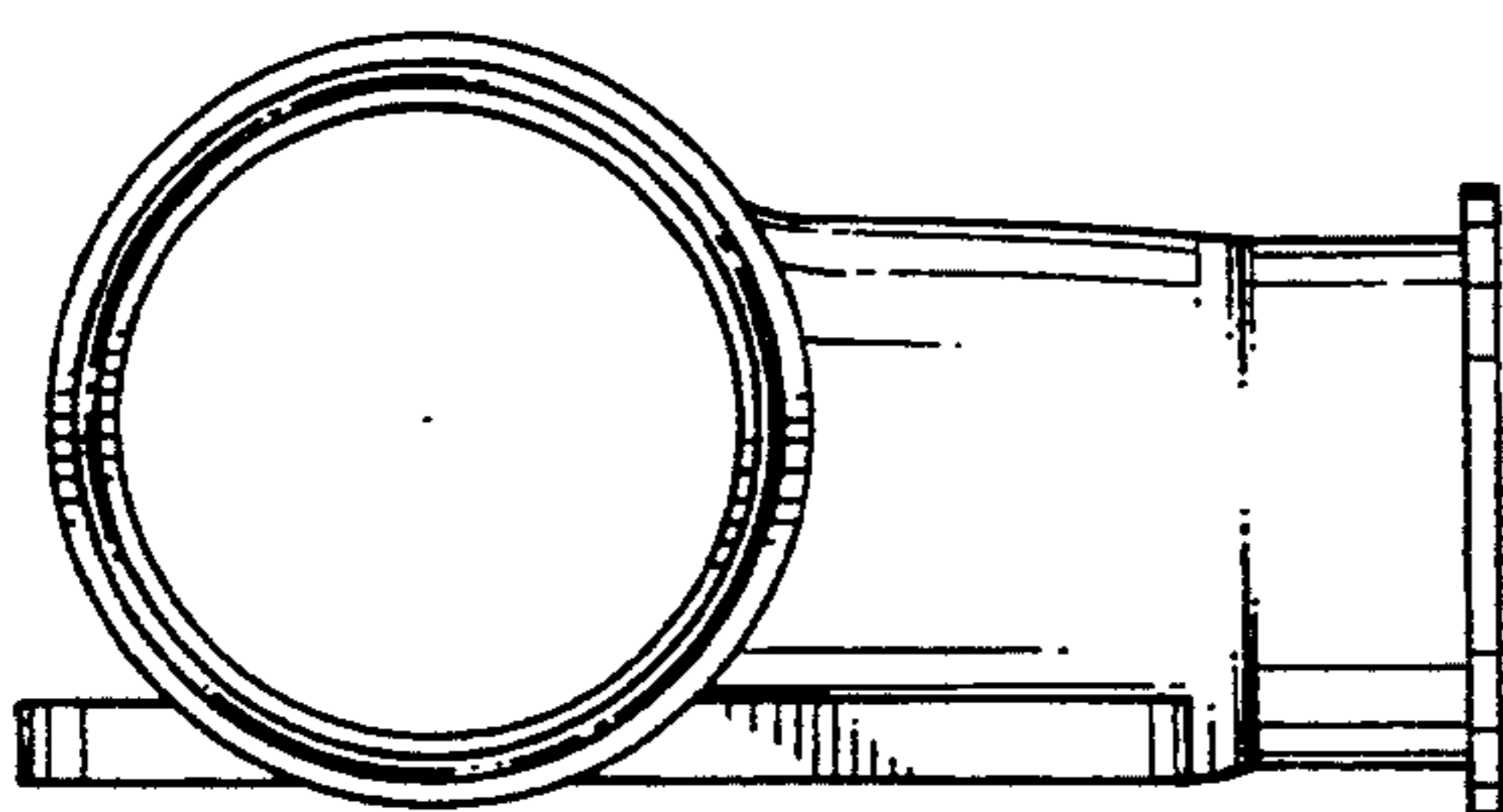


FIG. 6