



US00D351895S

United States Patent [19]

[11] Patent Number: **Des. 351,895**

Fritz et al.

[45] Date of Patent: **** Oct. 25, 1994**

[54] **SPRAY GUN HEAD**

5,236,129 8/1993 Grime et al. 239/528

[75] Inventors: **Alan H. Fritz**, Toledo, Ohio; **William E. Whitt**, Temperance, Mich.

Primary Examiner—Wallace R. Burke

Assistant Examiner—Robin V. Taylor

Attorney, Agent, or Firm—MacMillan, Sobanski & Todd

[73] Assignee: **Ransburg Corporation**, Indianapolis, Ind.

[57] CLAIM

[**] Term: **14 Years**

The ornamental design for a spray gun head, as shown and described.

[21] Appl. No.: **13,065**

DESCRIPTION

[22] Filed: **Sep. 17, 1993**

[52] U.S. Cl. **D23/213**

[58] Field of Search 239/301, 394, 280-283, 239/414-415, 525-528, 532, 332, 556-558, 443-449, 288, 288.3, 288.5; D23/213, 223-229

FIG. 1 is a right side elevational view of a spray gun head showing our new design;

FIG. 2 is a rear view thereof;

FIG. 3 is a left side view thereof;

FIG. 4 is a front view thereof;

FIG. 5 is a top plan view thereof;

FIG. 6 is a bottom view thereof;

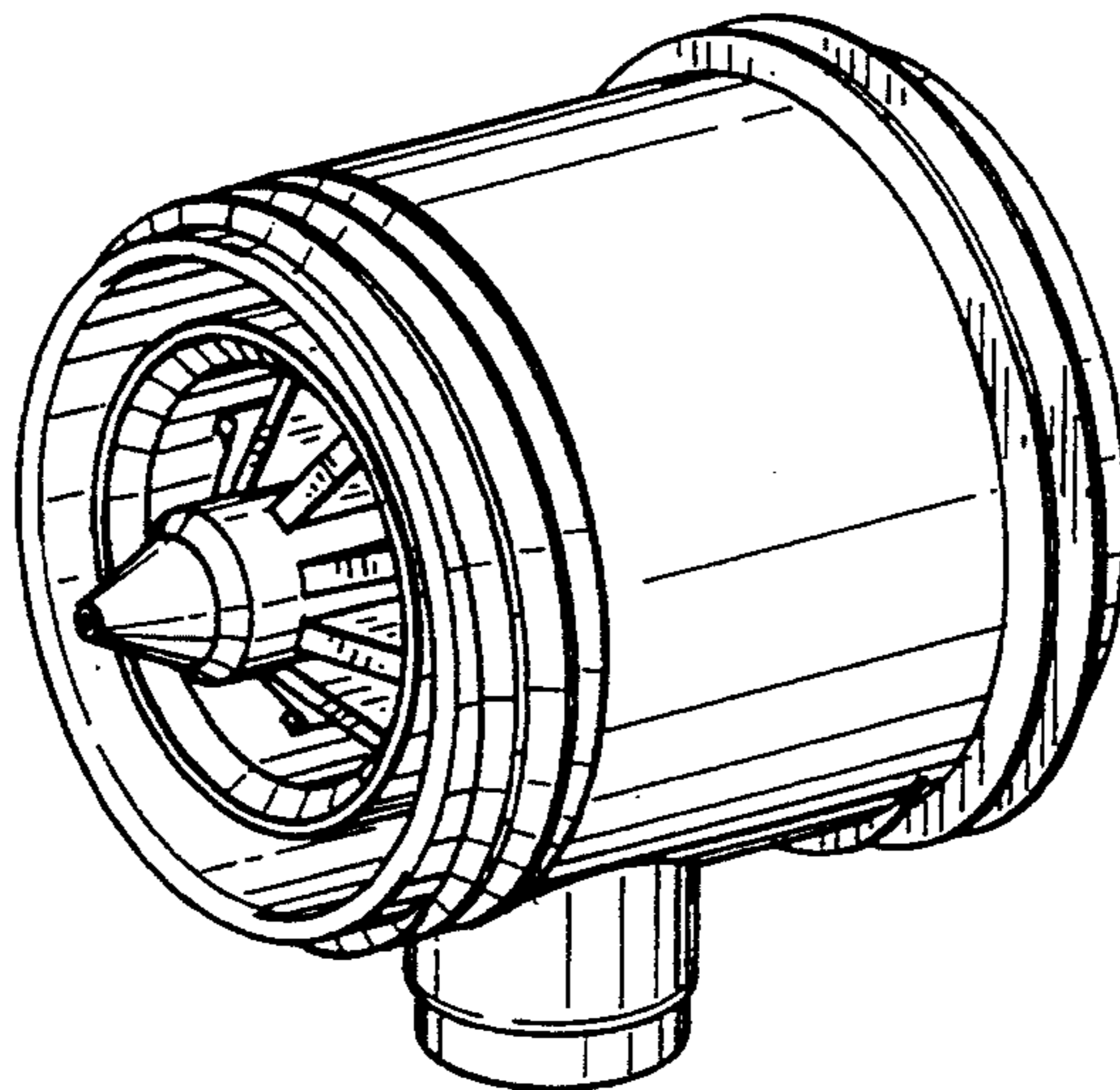
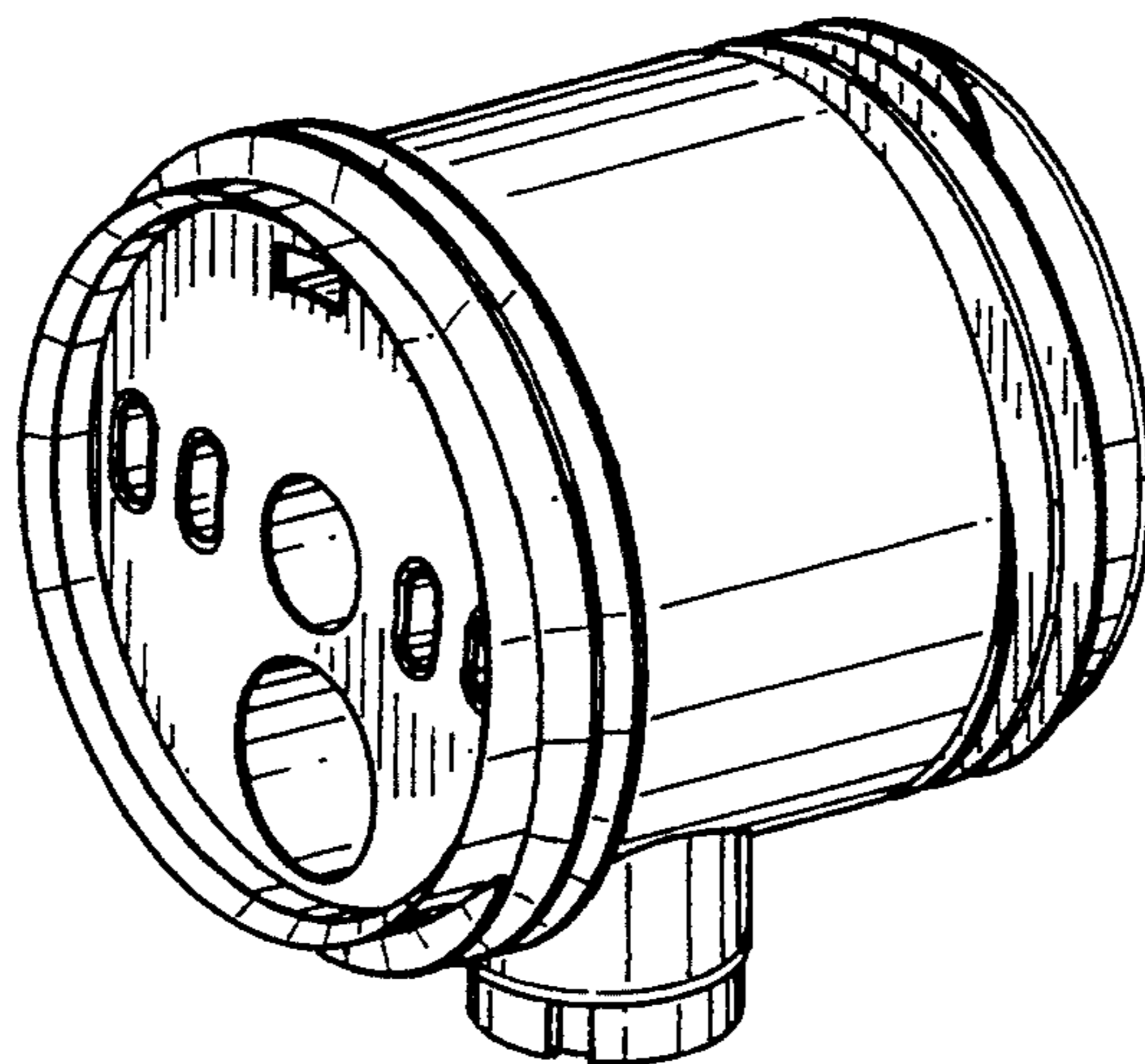
FIG. 7 is a perspective view thereof as seen from the rear right side; and,

FIG. 8 is a perspective view thereof as seen from the front left side.

[56] References Cited

U.S. PATENT DOCUMENTS

D. 225,185	11/1972	Kittner	D23/213
1,654,059	12/1927	Urbach	239/527
1,940,268	12/1933	Peterson	239/526



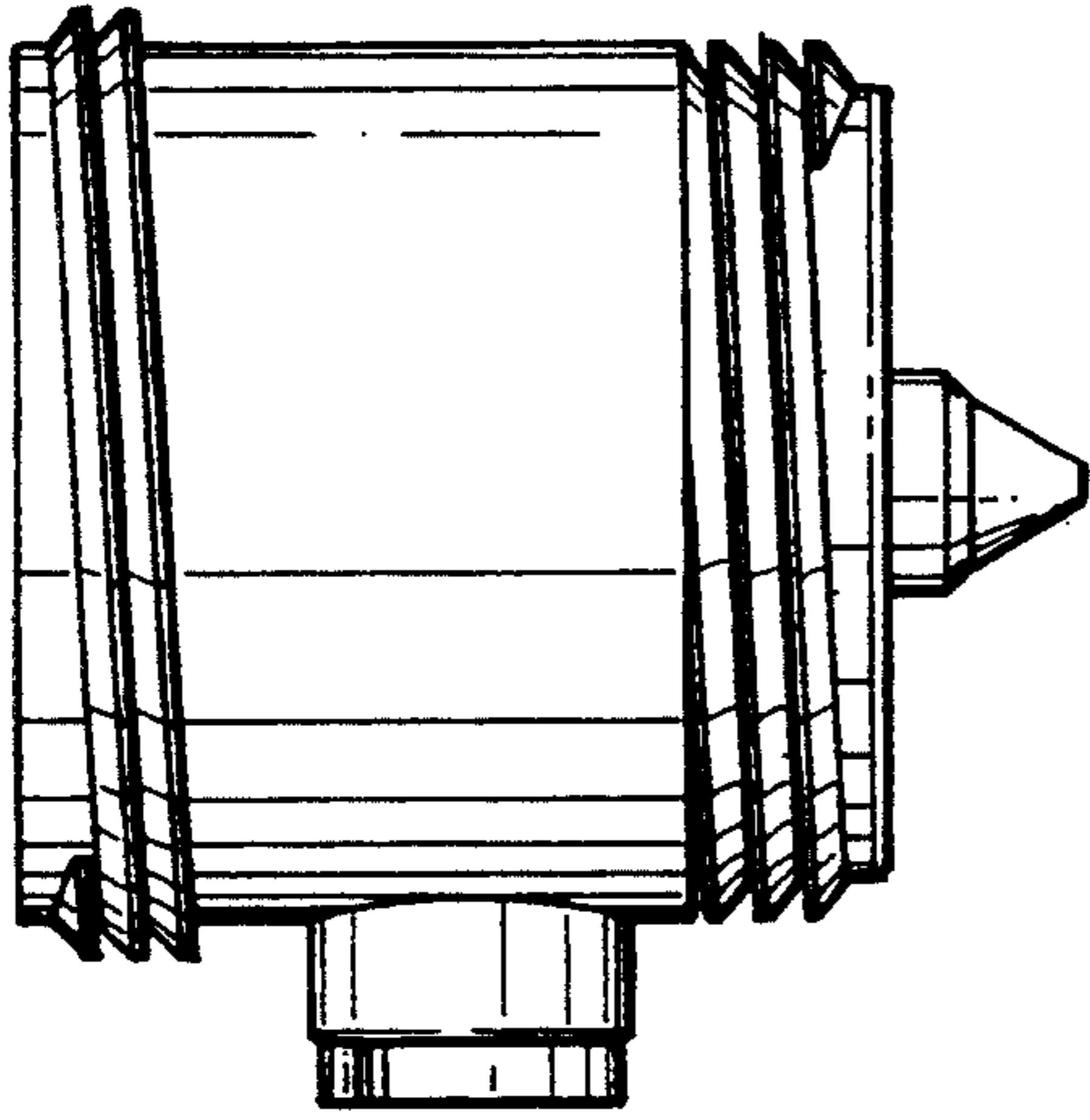


FIG. 1

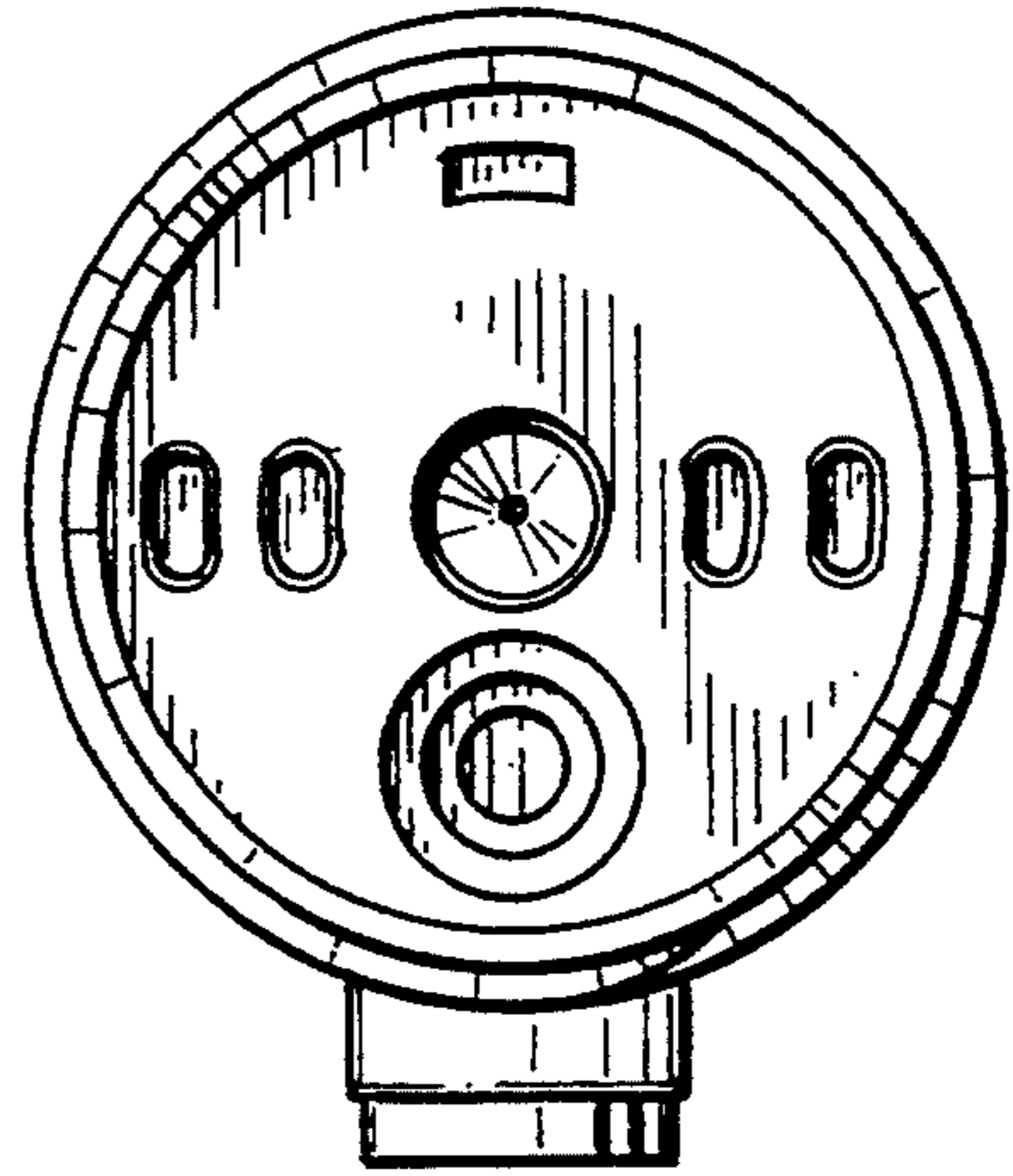


FIG. 2

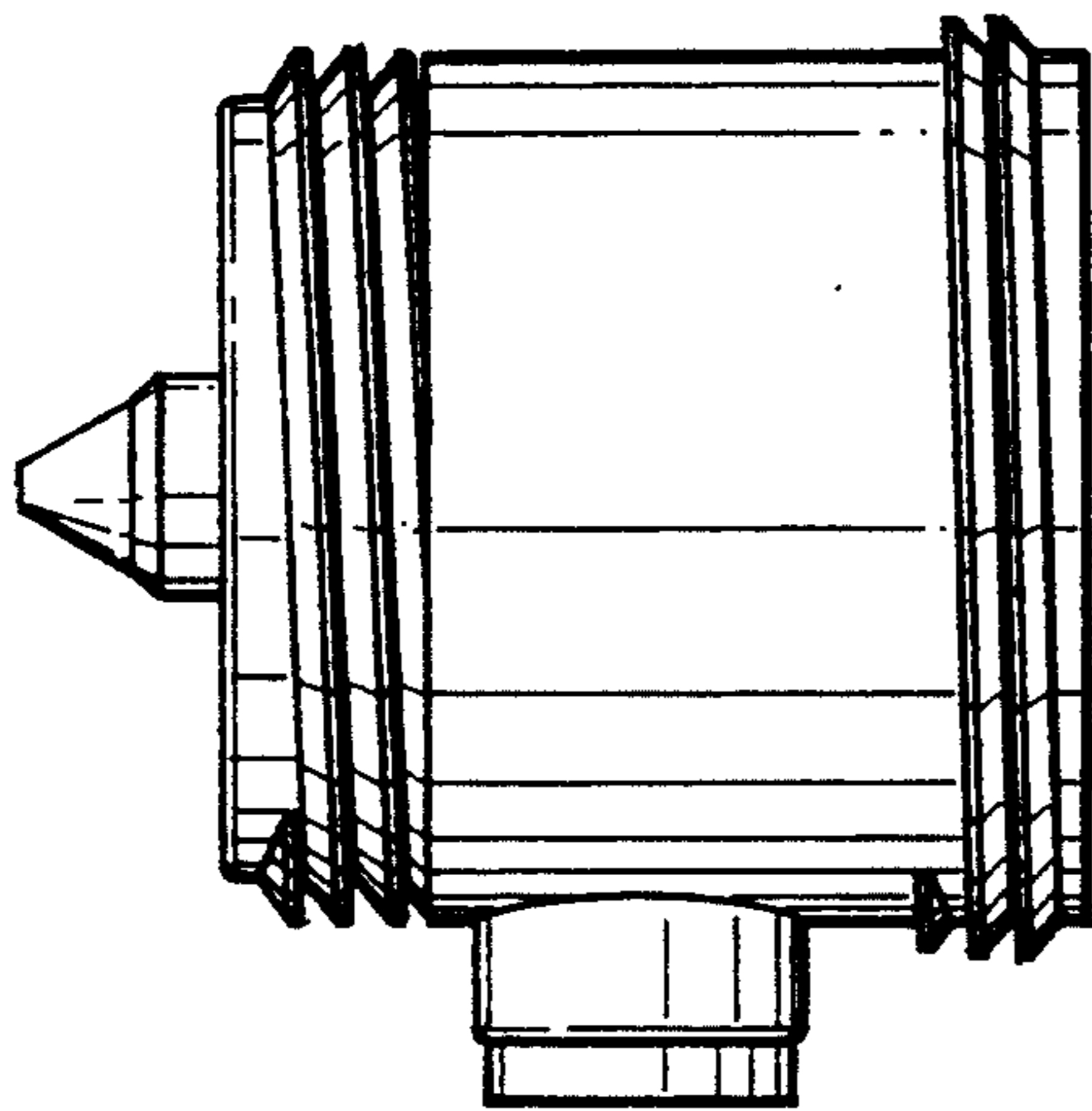


FIG. 3

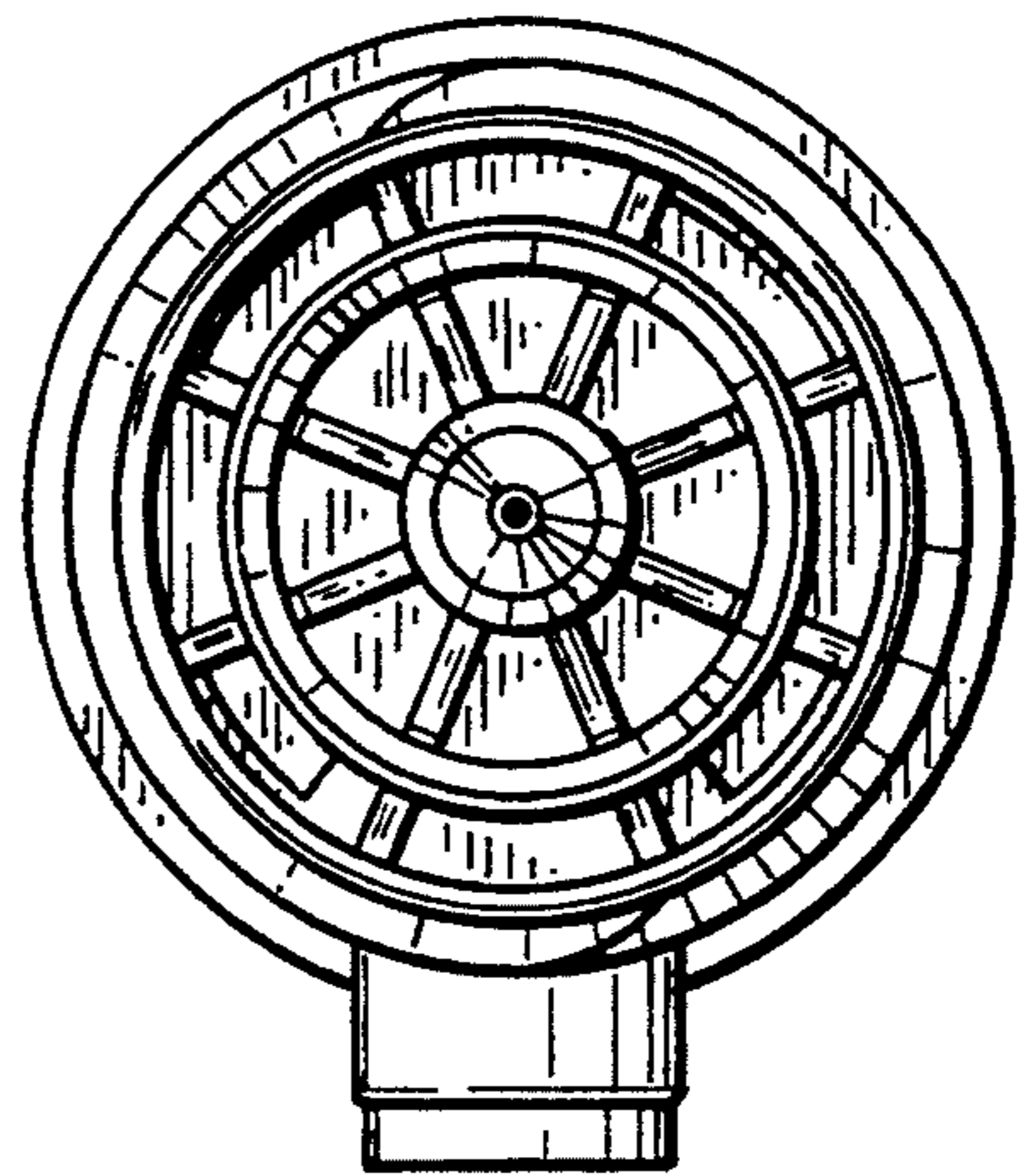


FIG. 4

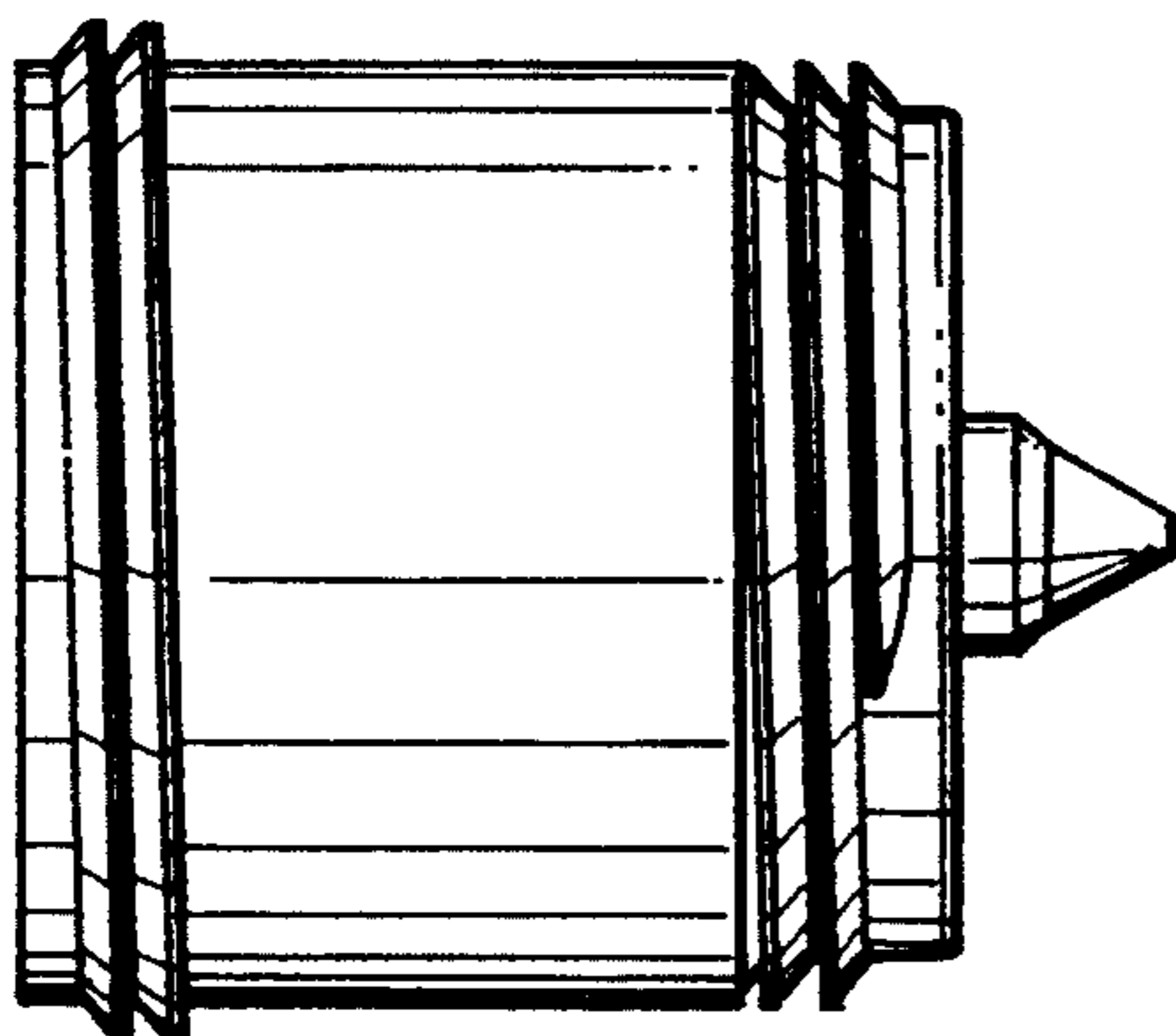


FIG. 5

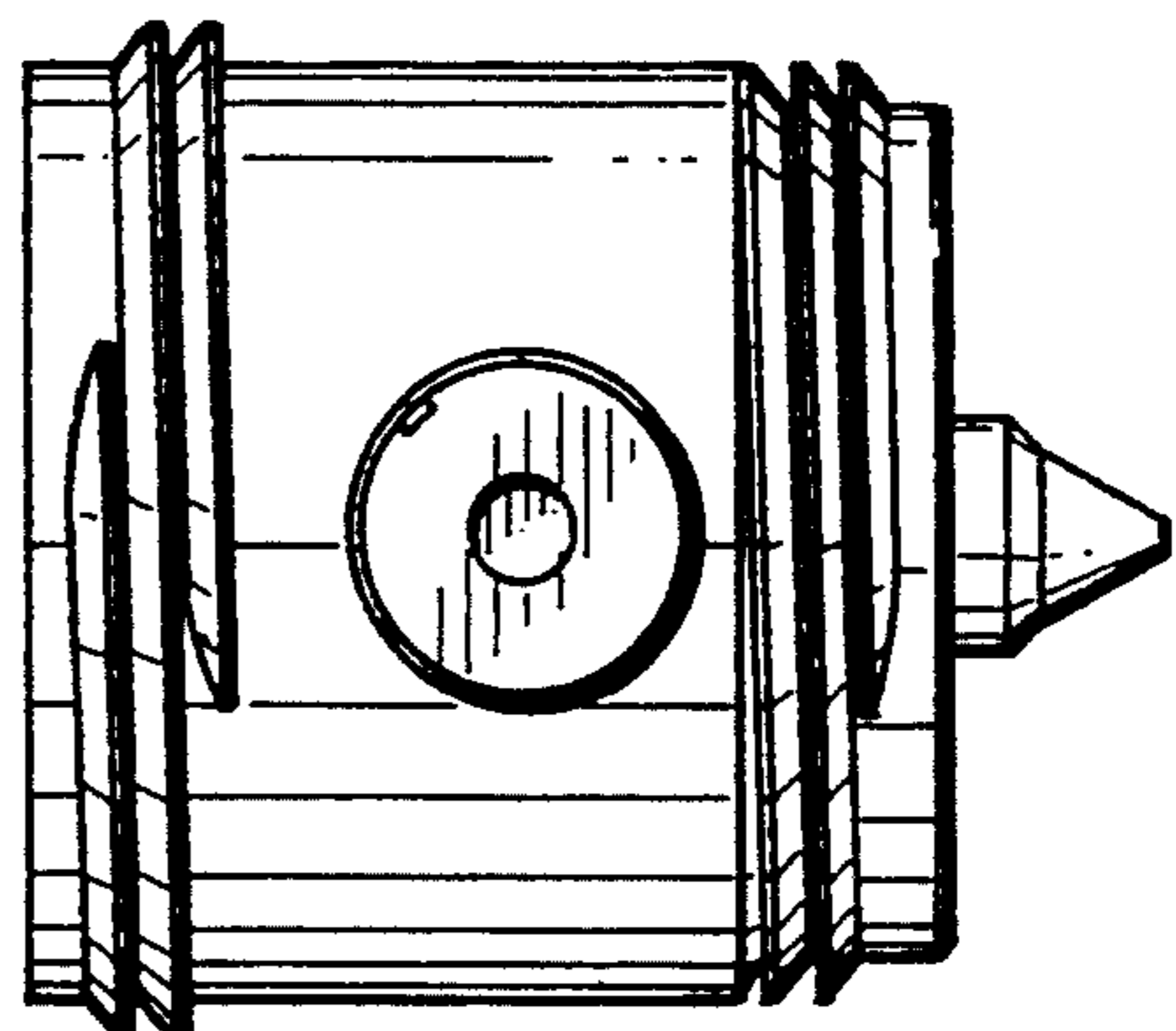


FIG. 6

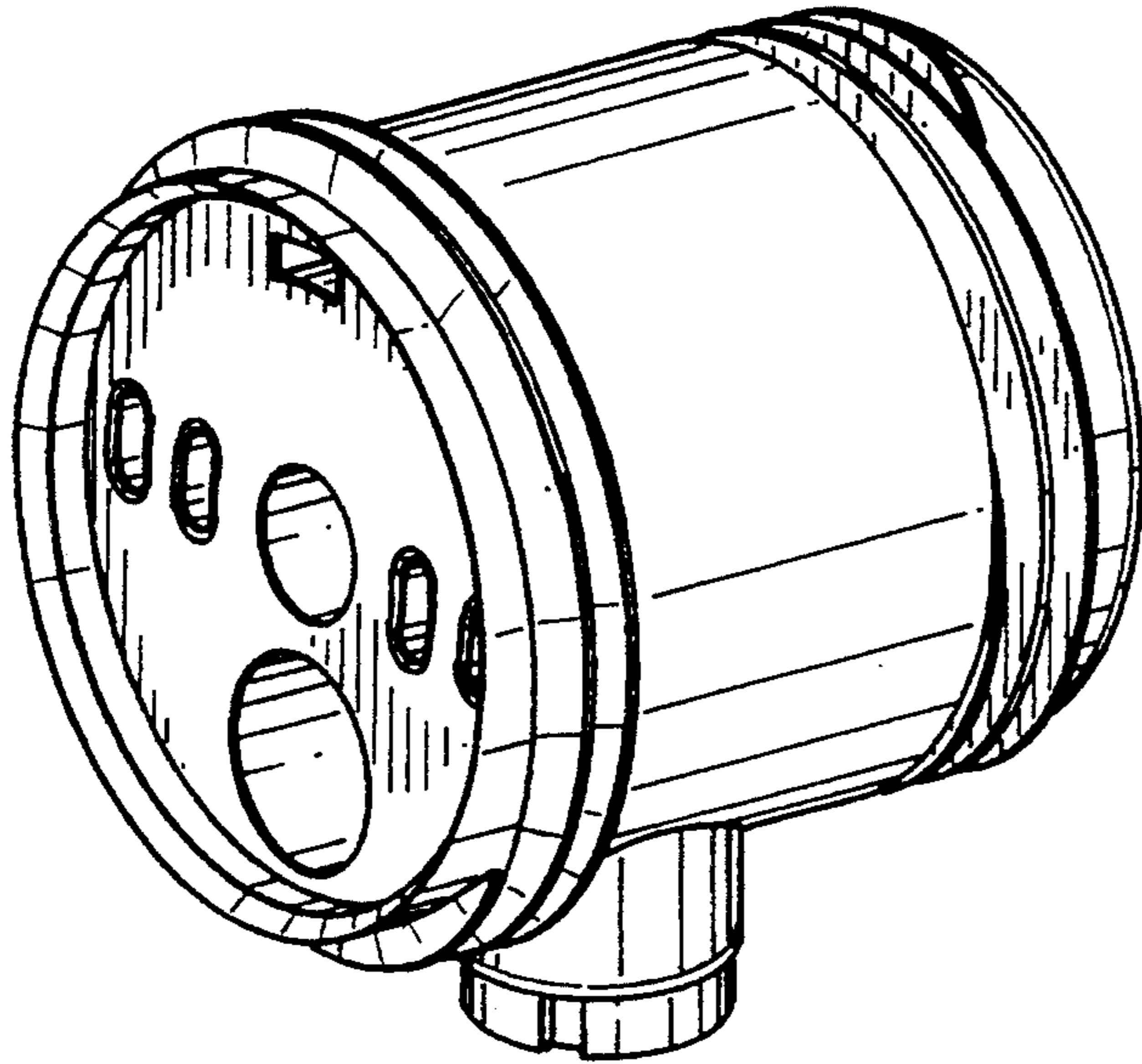


FIG. 7

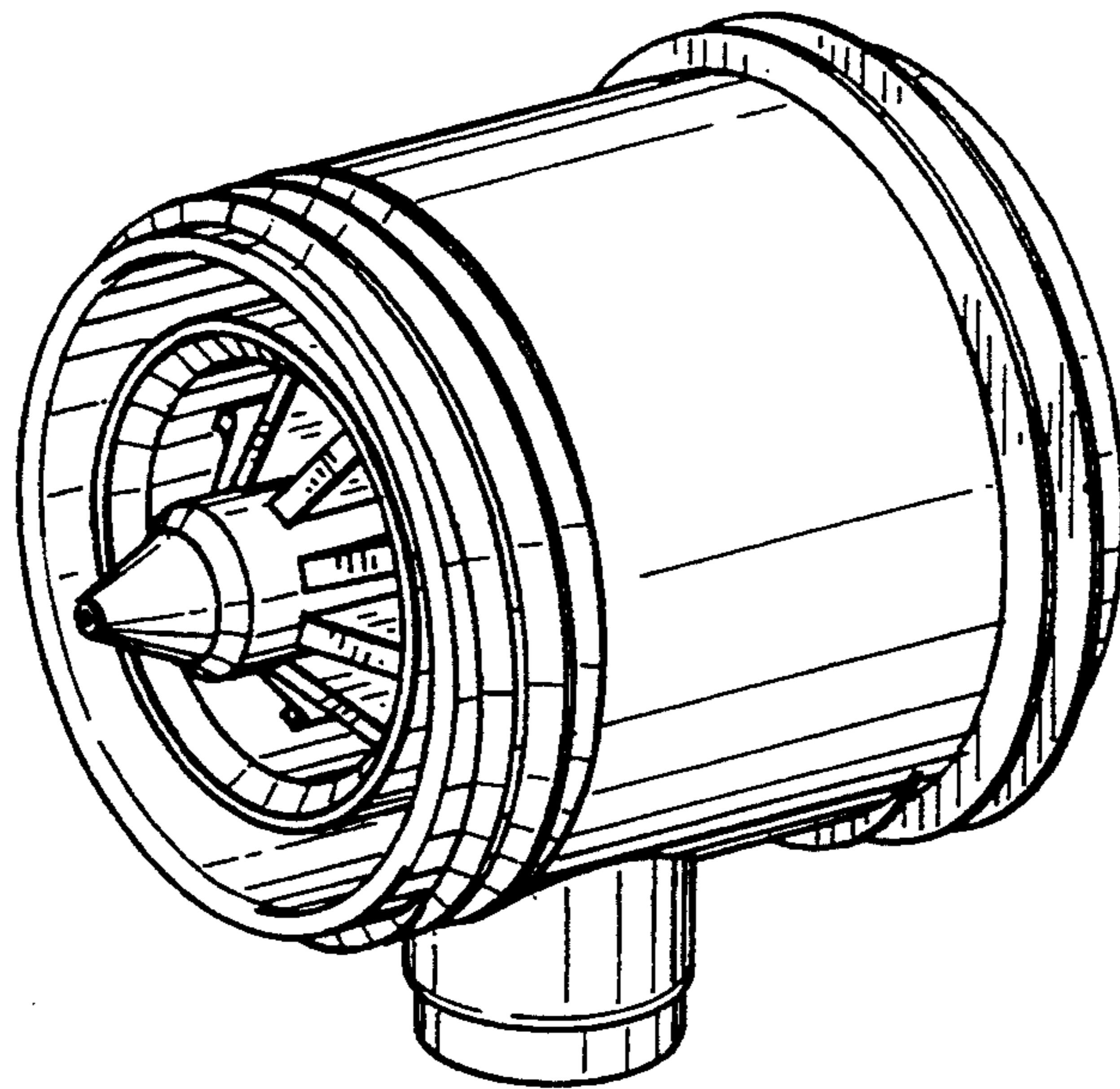


FIG. 8