



US00D351893S

# United States Patent [19]

[11] Patent Number: **Des. 351,893**

Whitesel

[45] Date of Patent: **\*\* Oct. 25, 1994**

[54] **ULTRA-VIOLET WATER TREATMENT DEVICE**

[76] Inventor: **James P. Whitesel**, 318 S. Sequoia Ave., Brea, Calif. 92621

[\*\*] Term: **14 Years**

[21] Appl. No.: **2,860**

[22] Filed: **Dec. 21, 1992**

[52] U.S. Cl. .... **D23/207**

[58] Field of Search ..... 210/97, 198.1, 205-206, 210/231, 241-242, 244-246, 257.1-257.2, 258, 260-261, 275, 282, 287-290, 295, 321.6, 321.78, 348, 461.3, 443-449; D23/207-210

[56] **References Cited**

**U.S. PATENT DOCUMENTS**

- D. 273,695 5/1984 Johnson et al. .... D23/207
- D. 328,327 7/1992 Karamian ..... D23/207

- D. 331,098 11/1992 Boehme ..... D23/209
- D. 331,447 12/1992 Boehme et al. .... D23/209
- D. 332,301 1/1993 Adeberg ..... D23/207
- 4,049,550 9/1977 Obidniak ..... 210/244
- 5,205,932 4/1993 Solomon et al. .... 210/288 X

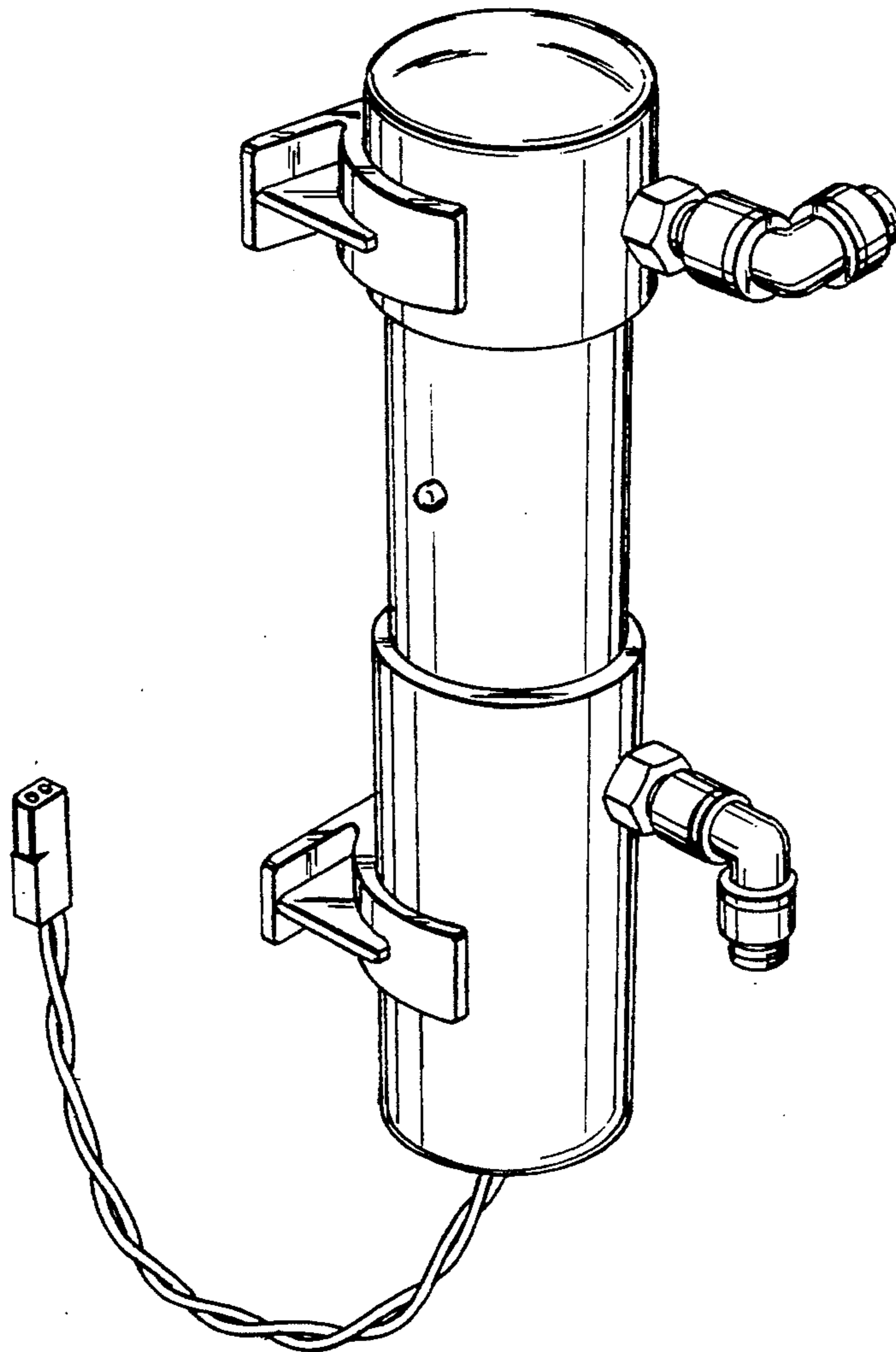
*Primary Examiner*—Wallace R. Burke  
*Assistant Examiner*—M. H. Tung  
*Attorney, Agent, or Firm*—Stetina and Brunda

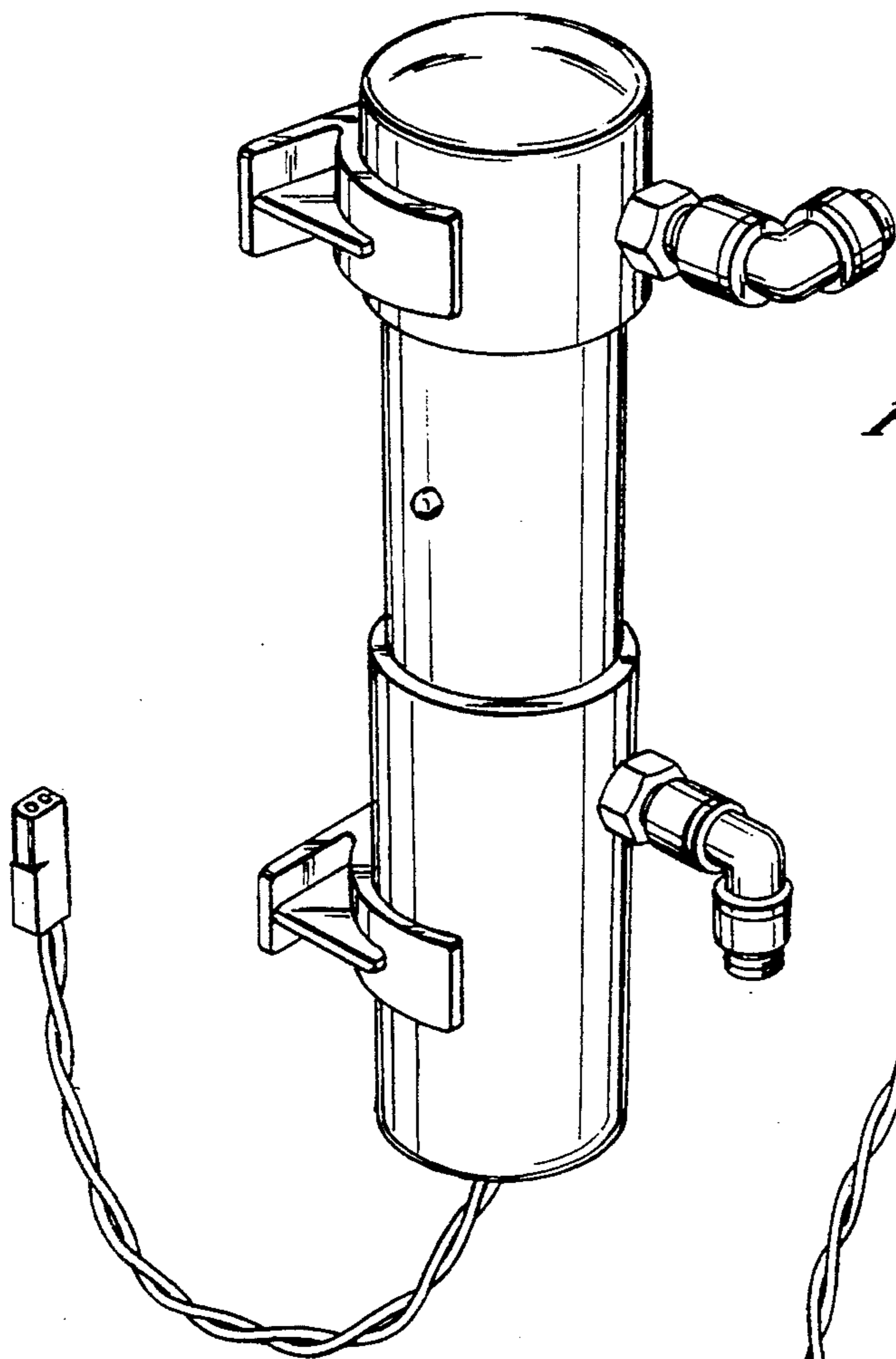
[57] **CLAIM**

The ornamental design for an ultra-violet water treatment device, as shown and described.

**DESCRIPTION**

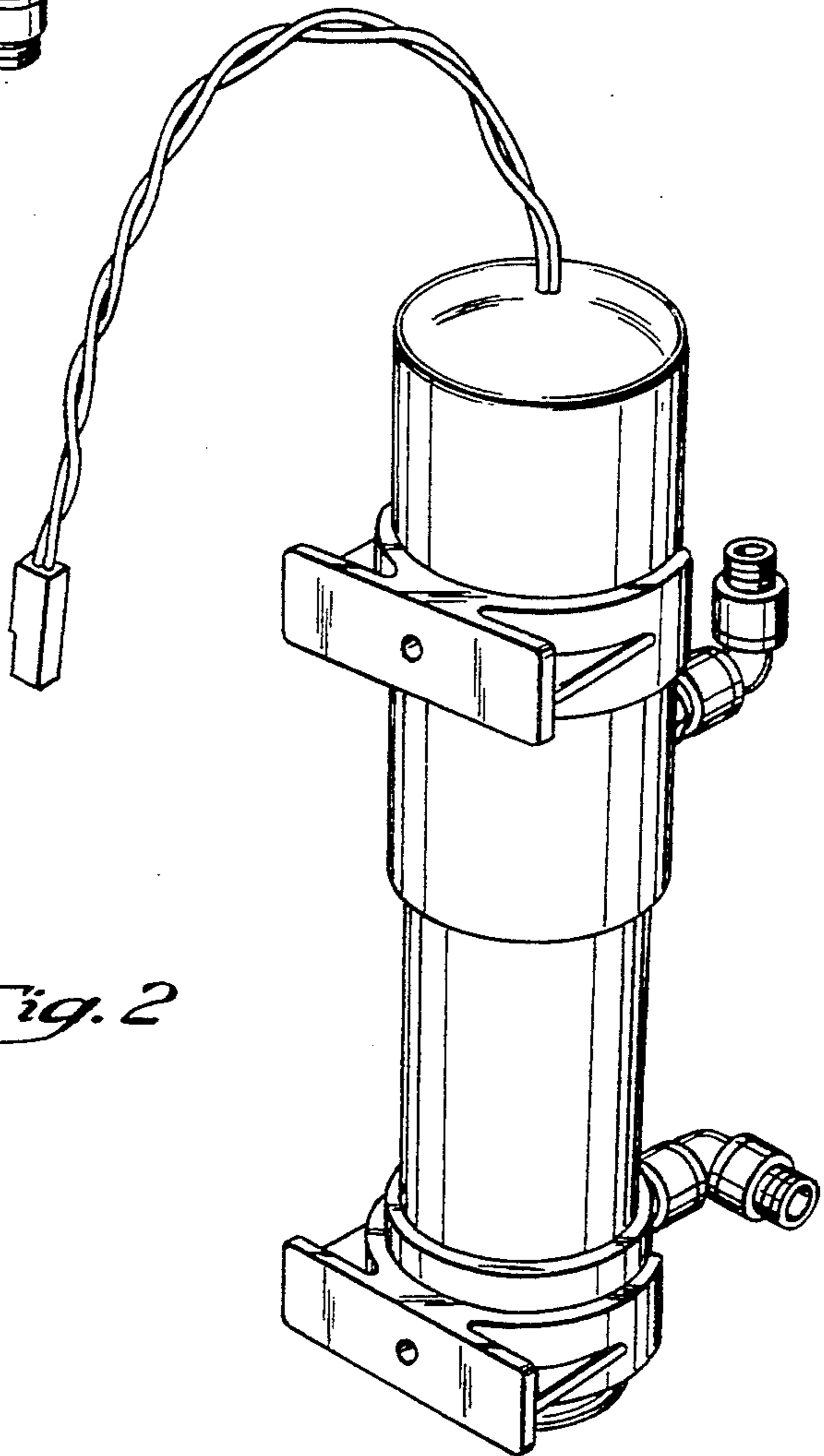
FIG. 1 is a front, top perspective view of the ultra-violet water treatment device of the present invention showing my new design;  
FIG. 2 is a rear, bottom perspective view thereof;  
FIG. 3 is a top plan view thereof;  
FIG. 4 is a bottom plan view thereof; and,  
FIG. 5 is a front elevational view thereof.

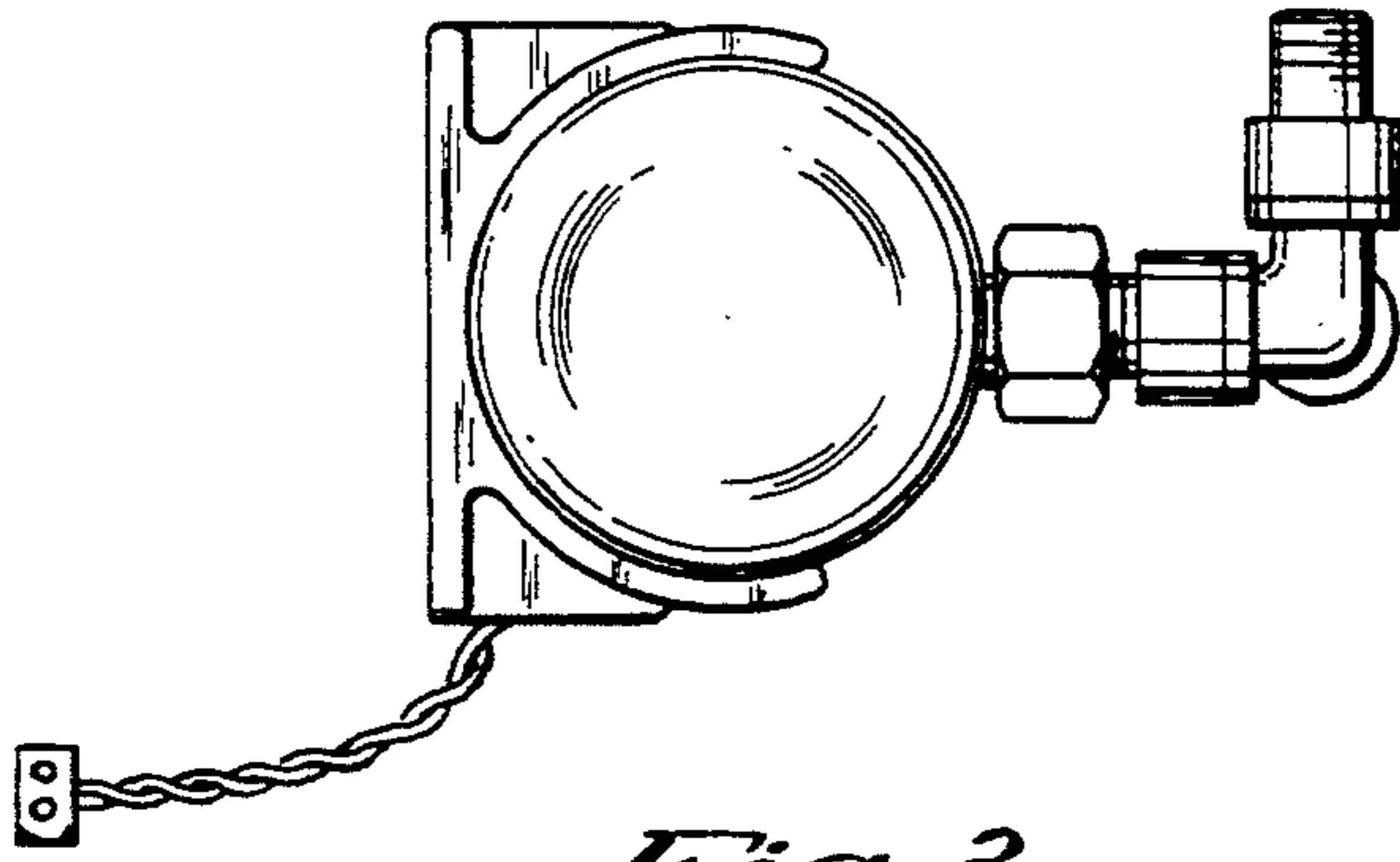




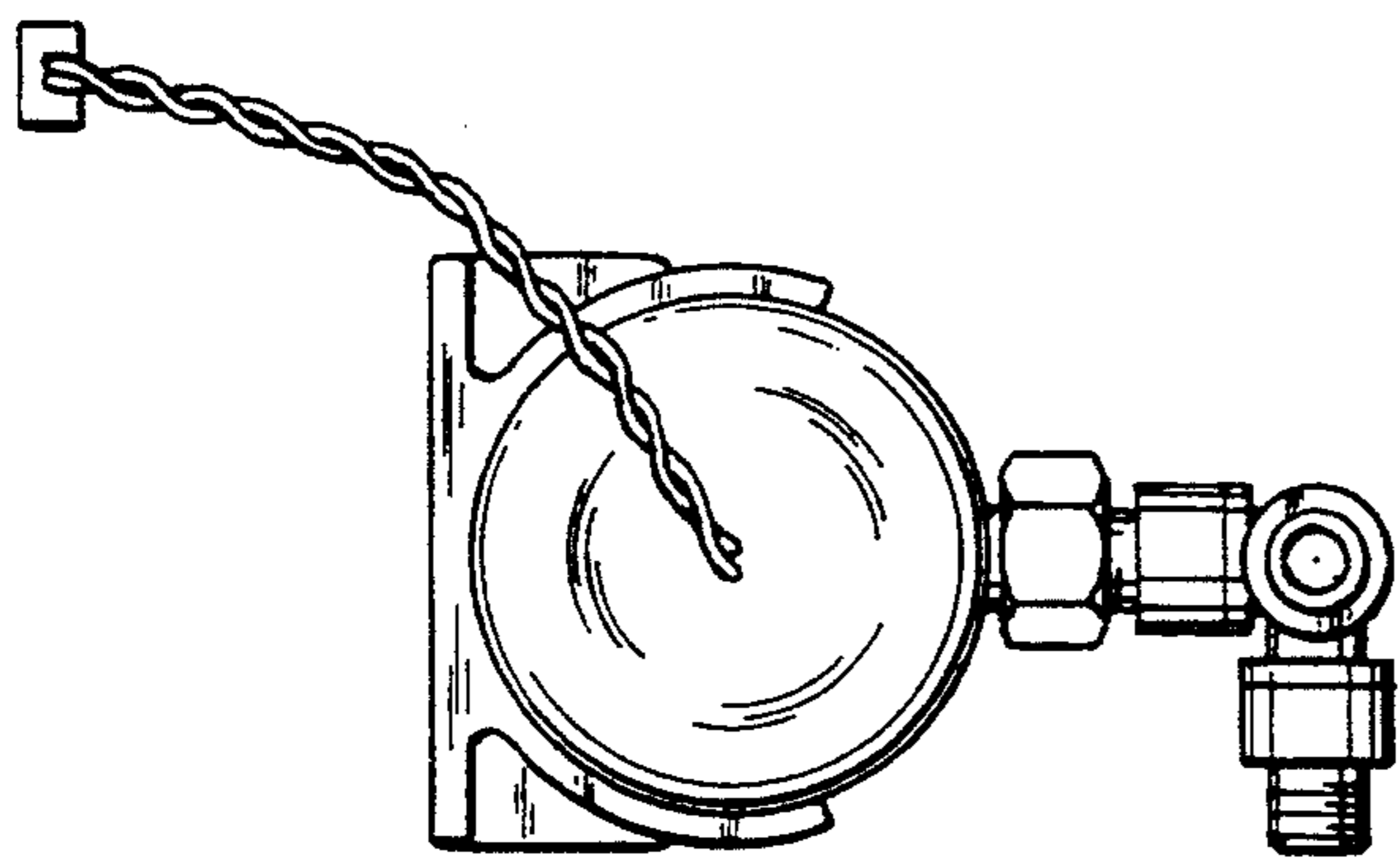
*Fig. 1*

*Fig. 2*

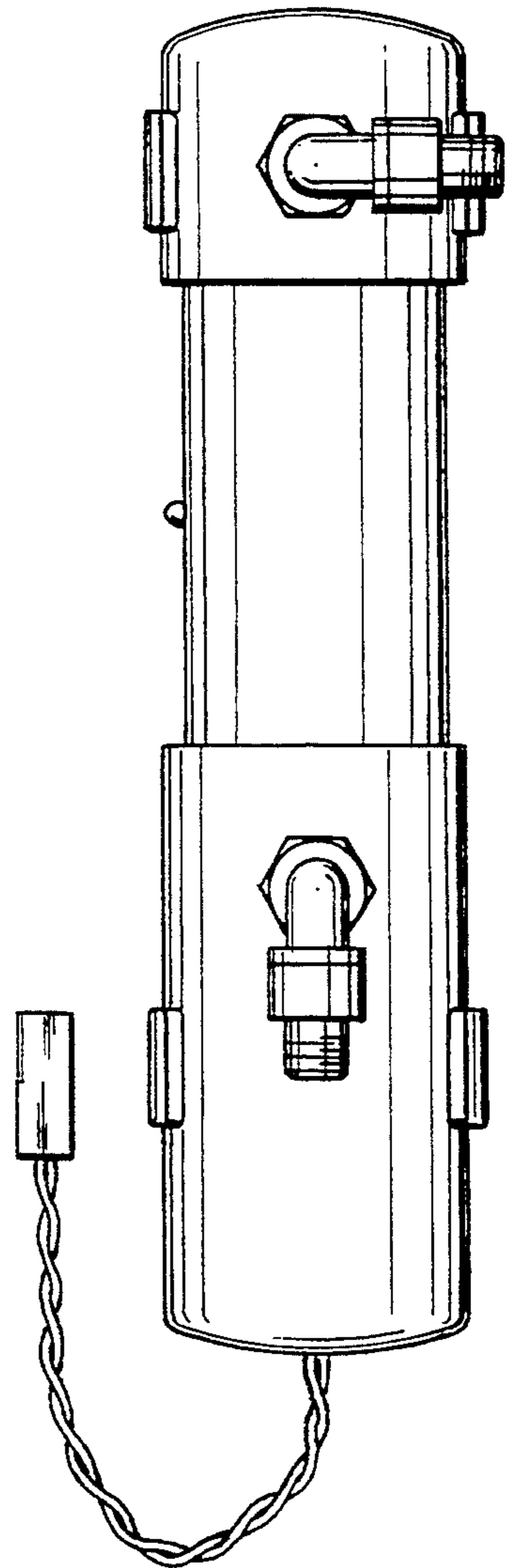




*Fig. 3*



*Fig. 4*



*Fig. 5*