



US00D351891S

**United States Patent** [19]  
**Tinsley**

[11] **Patent Number: Des. 351,891**  
[45] **Date of Patent: \*\* Oct. 25, 1994**

[54] **ARROWHEAD**

[76] **Inventor: Greg E. Tinsley, 17231 Tuba St., Northridge, Calif. 91325**

[\*\*] **Term: 14 Years**

[21] **Appl. No.: 1,071**

[22] **Filed: Nov. 2, 1992**

[52] **U.S. Cl. .... D22/115**

[58] **Field of Search ..... 273/420, 422, 423, 416, 273/419; D22/115**

[56] **References Cited**

**U.S. PATENT DOCUMENTS**

4,651,999	3/1987	Sturm .....	273/416
4,807,889	2/1989	Johnson .....	273/422
4,943,067	7/1990	Saunders .....	273/416
5,083,798	1/1992	Massey .....	273/421
5,167,417	12/1992	Stacey et al. ....	273/416
5,178,399	1/1993	Garoutte .....	273/422
5,192,081	3/1993	Cooper .....	273/422

*Primary Examiner*—A Hugo Word  
*Assistant Examiner*—Doris V. Coles  
*Attorney, Agent, or Firm*—Lawrence S. Cohen

[57] **CLAIM**

The ornamental design for an arrowhead, as shown and described.

**DESCRIPTION**

FIG. 1 is a front elevational view of the arrowhead, showing my new design;  
FIG. 2 is a top plan view thereof the bottom plan view being a mirror image thereof;  
FIG. 3 is a right side elevational view thereof;  
FIG. 4 is a left side elevational view thereof;  
FIG. 5 is a bottom plan view thereof;  
FIG. 6 is a front elevational view of an alternative embodiment of the arrowhead, showing my new design;  
FIG. 7 is a top plan view of the alternative embodiment, the bottom plan view being a mirror image thereof;  
FIG. 8 is a right side elevational view thereof;  
FIG. 9 is a left side elevational view thereof; and,  
FIG. 10 is a bottom plan view thereof.

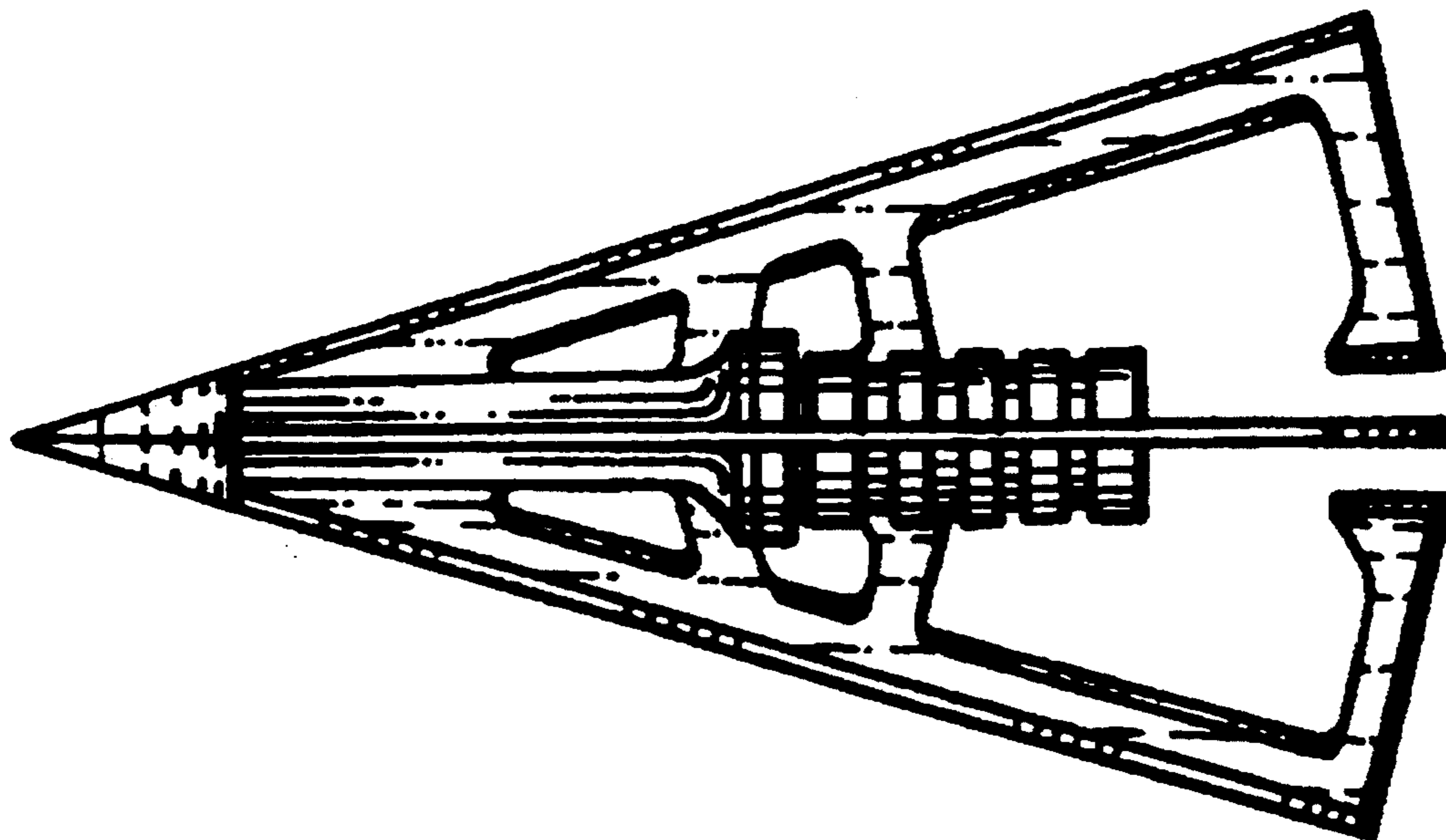


FIG. 1

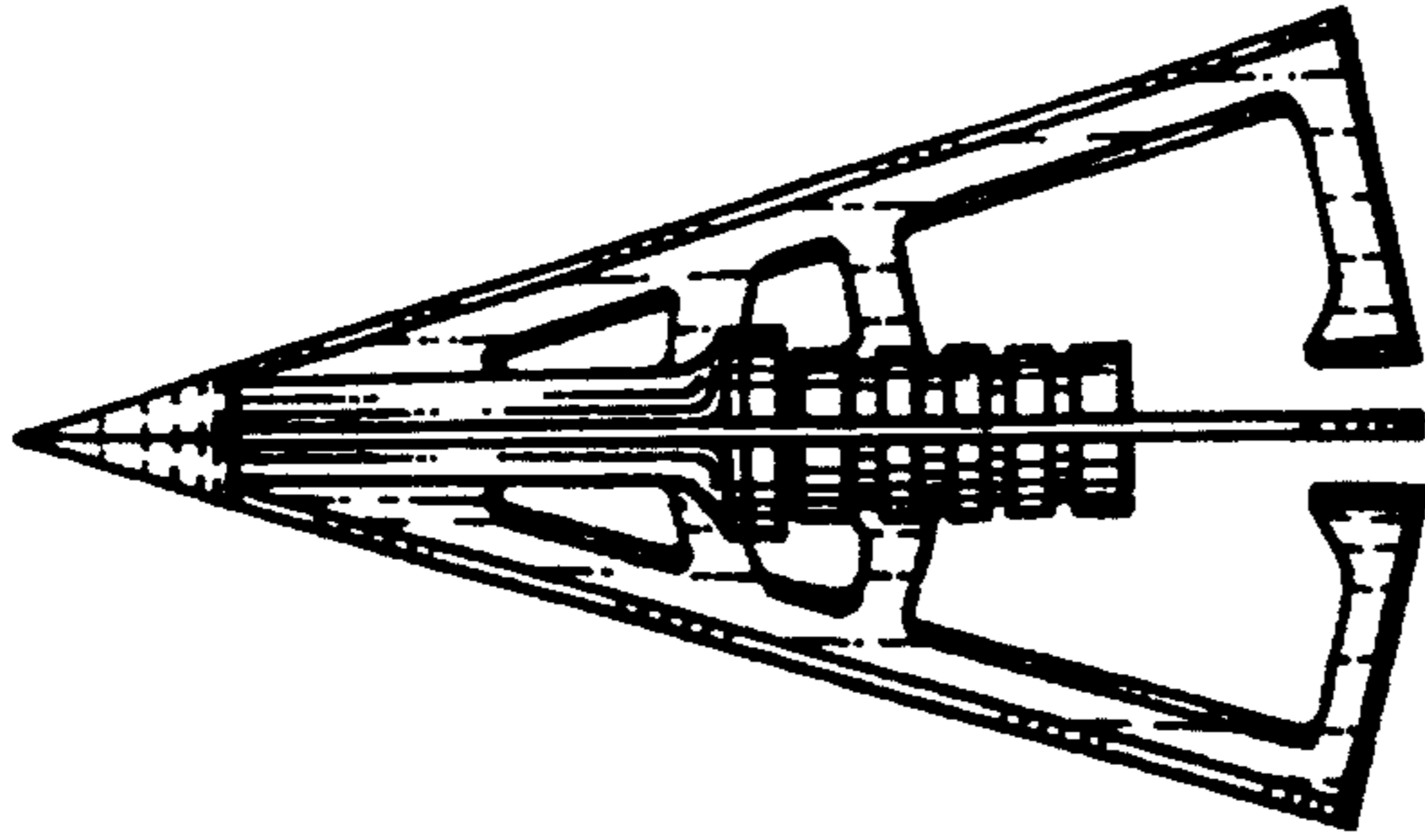


FIG. 3

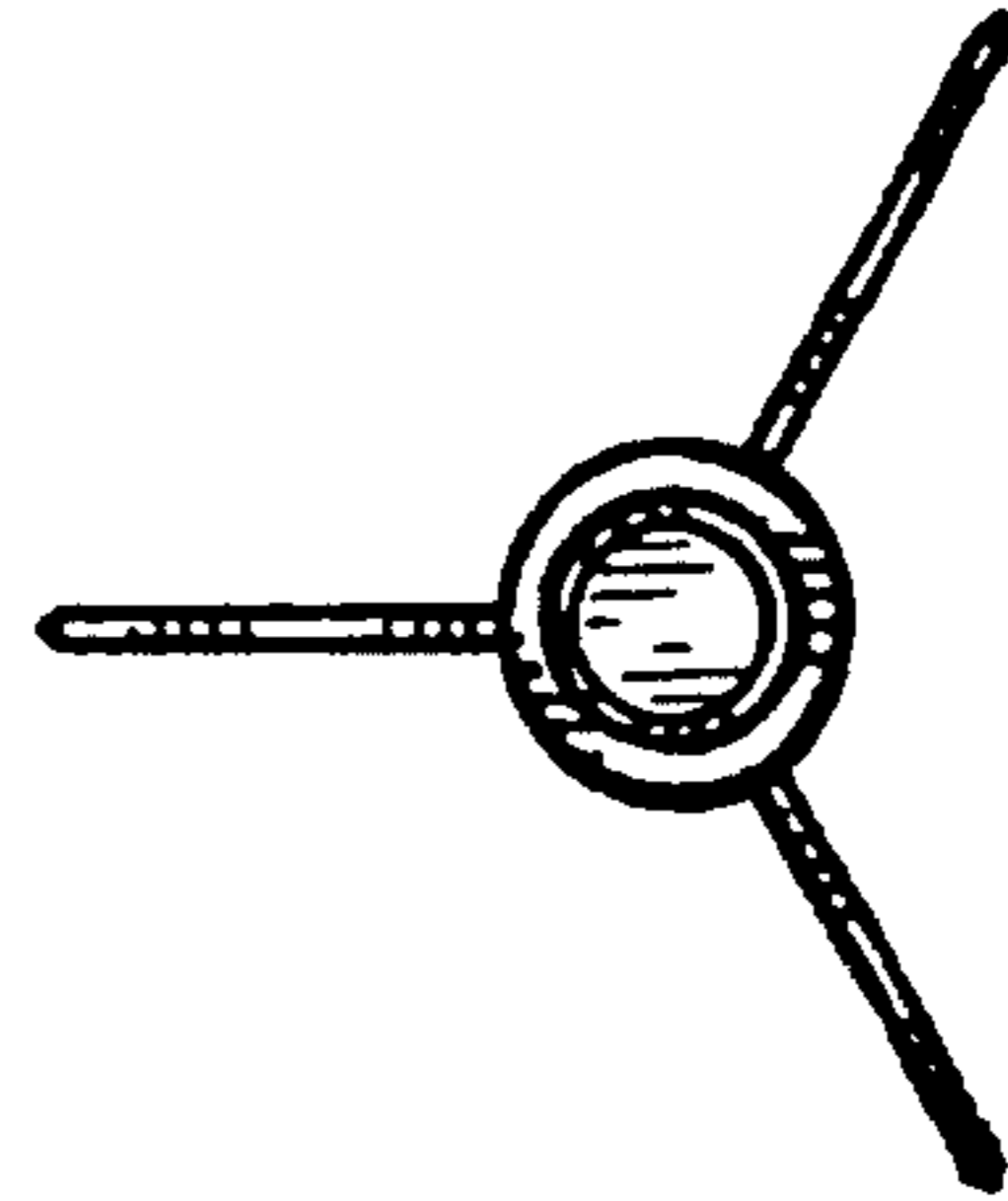


FIG. 2

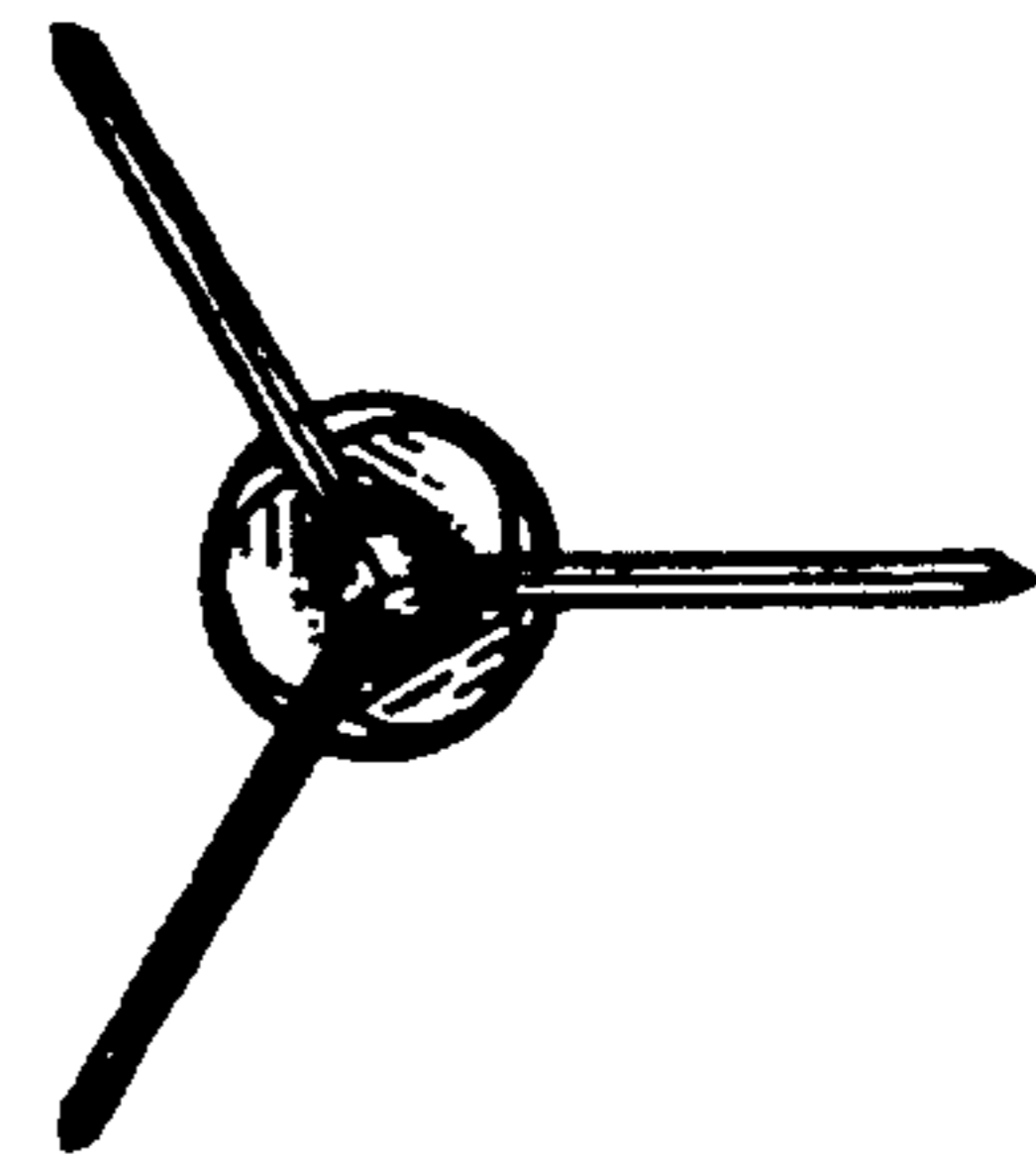
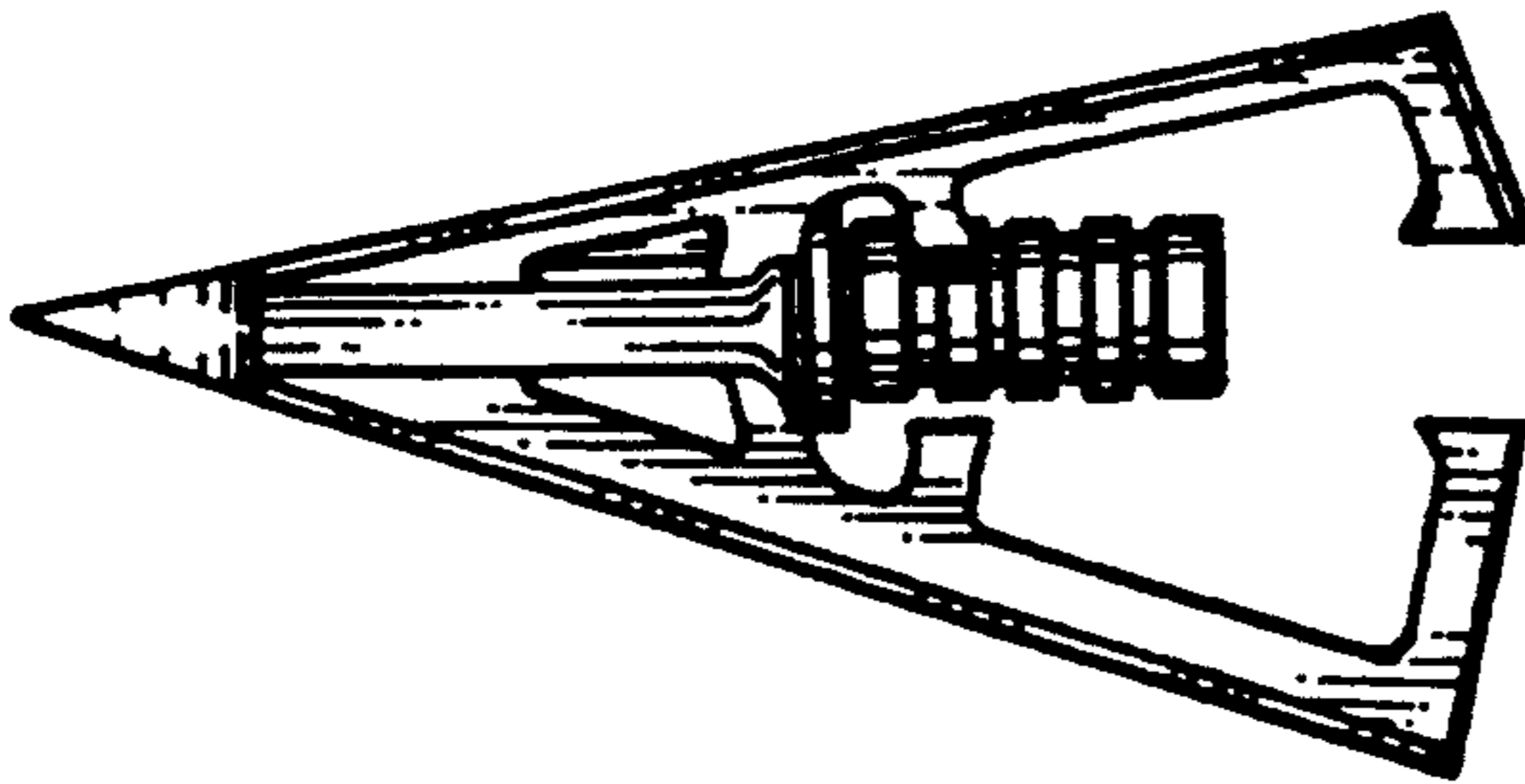


FIG. 4

FIG. 5

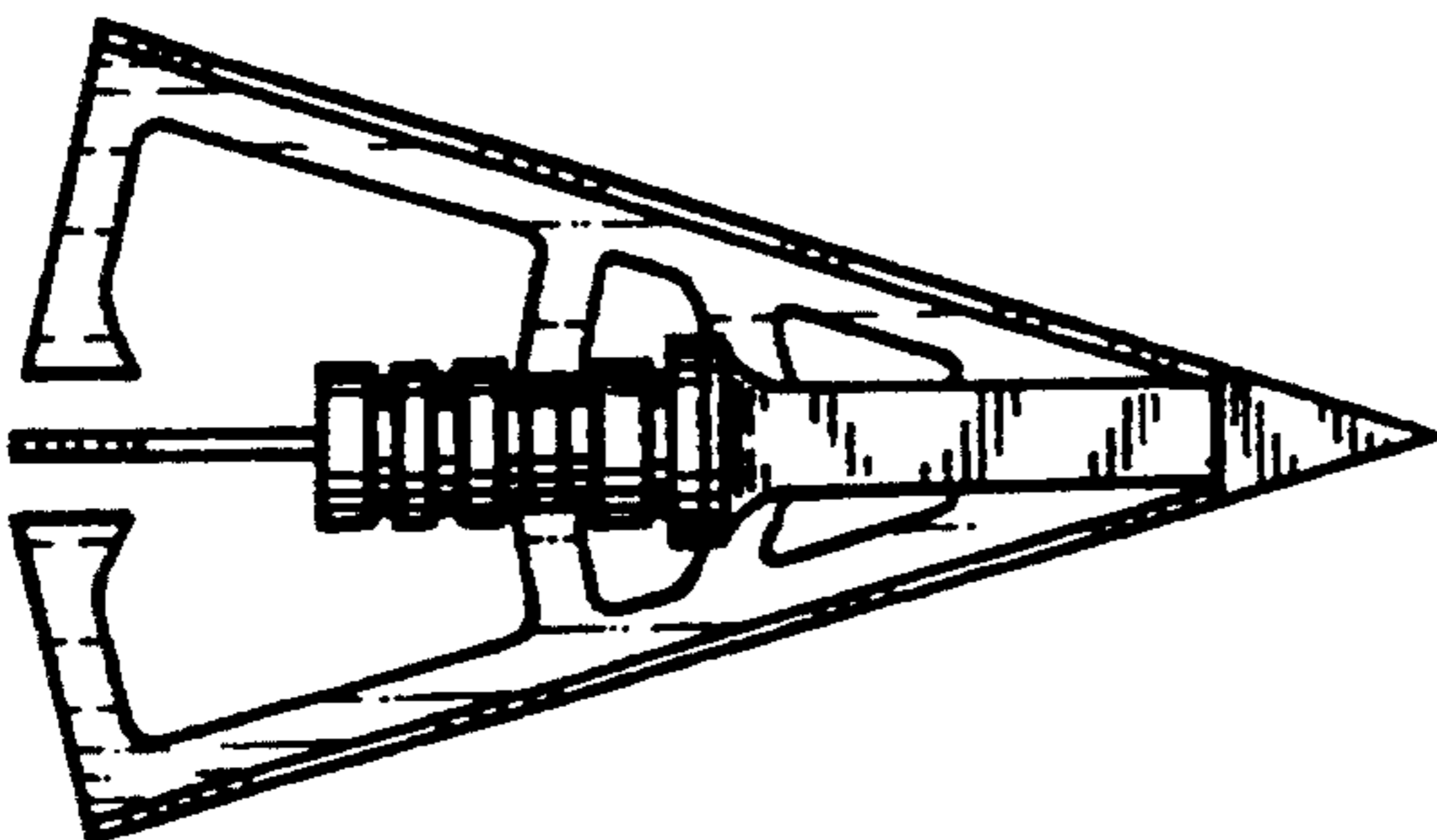


FIG. 6

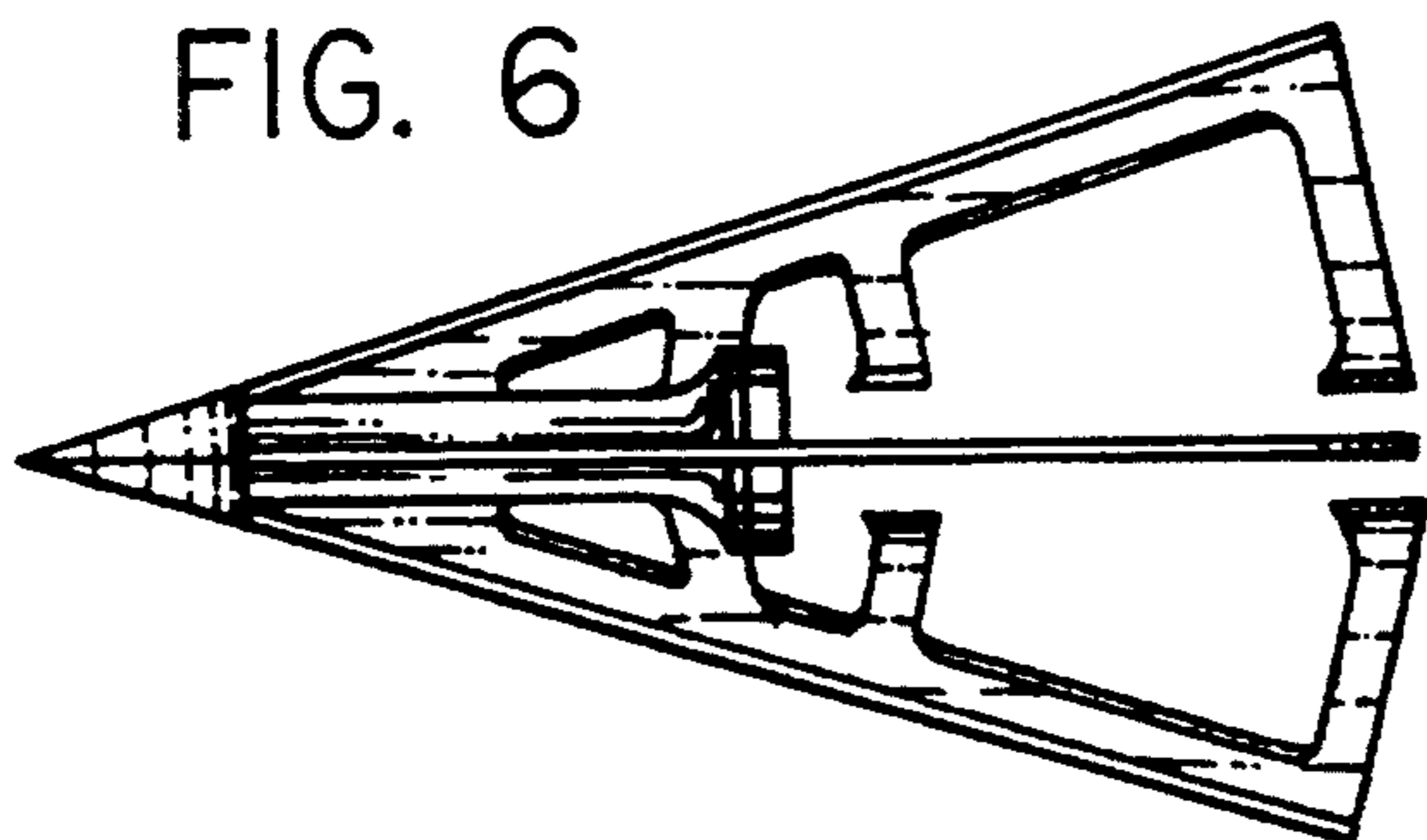


FIG. 8

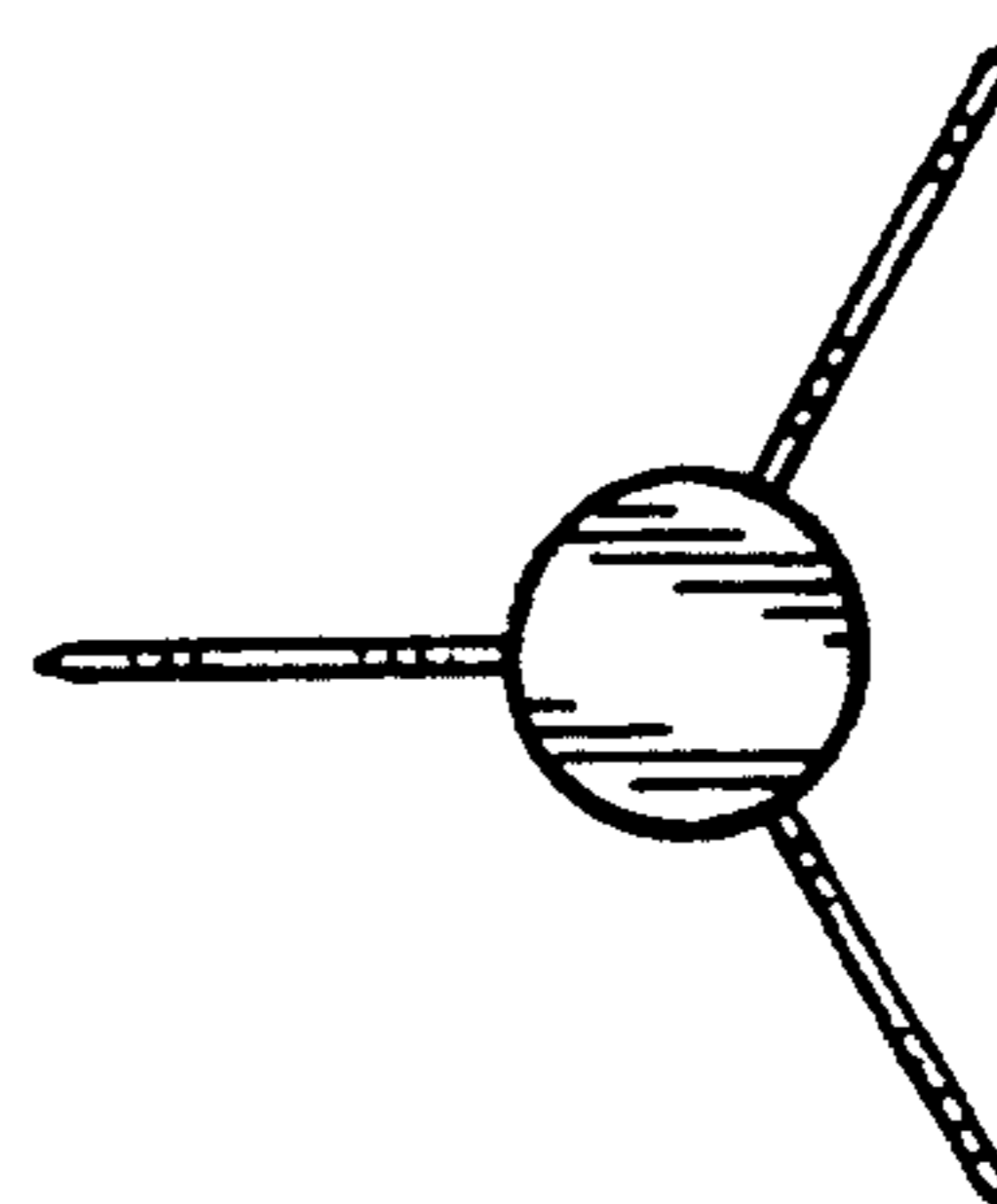


FIG. 7

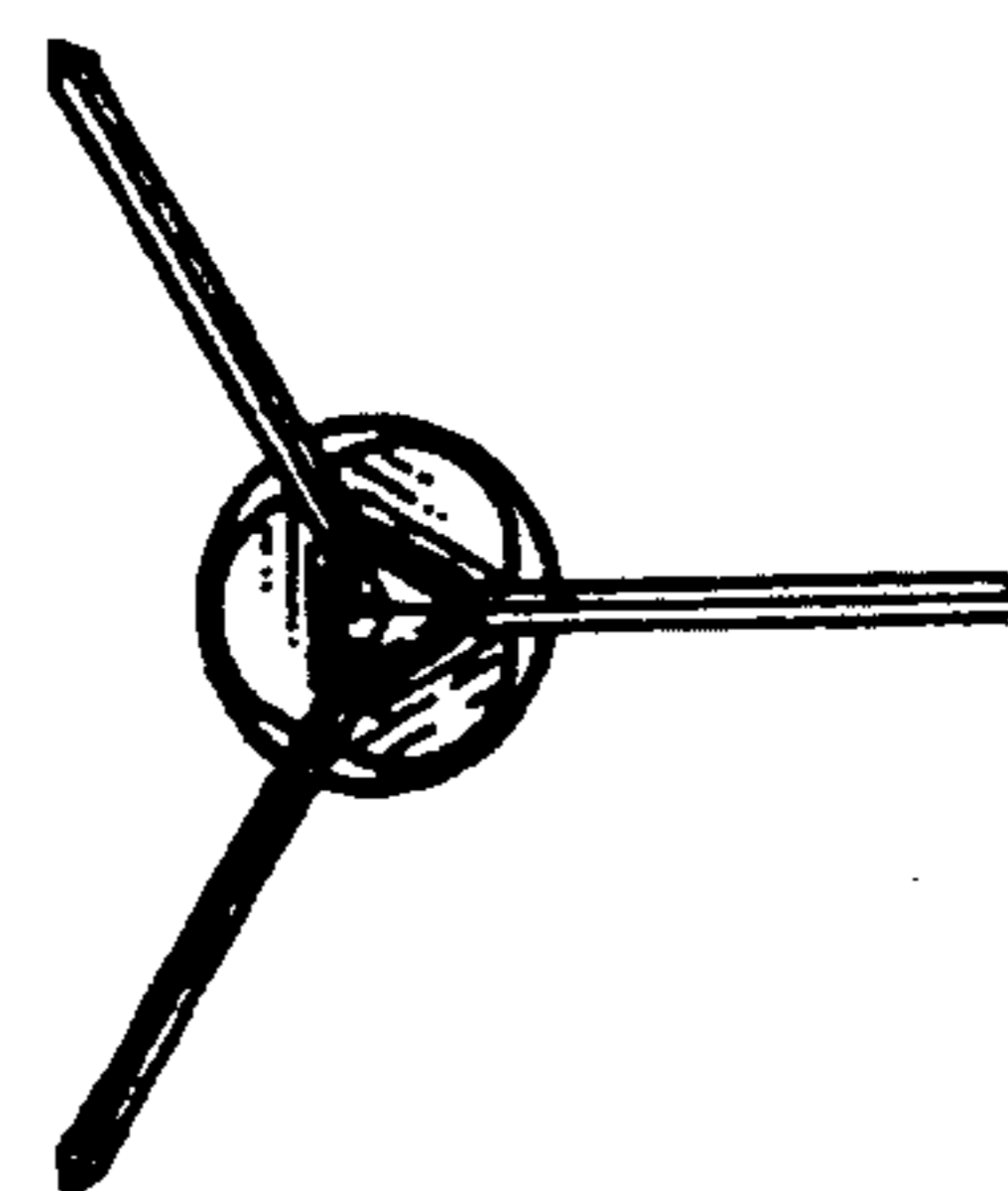
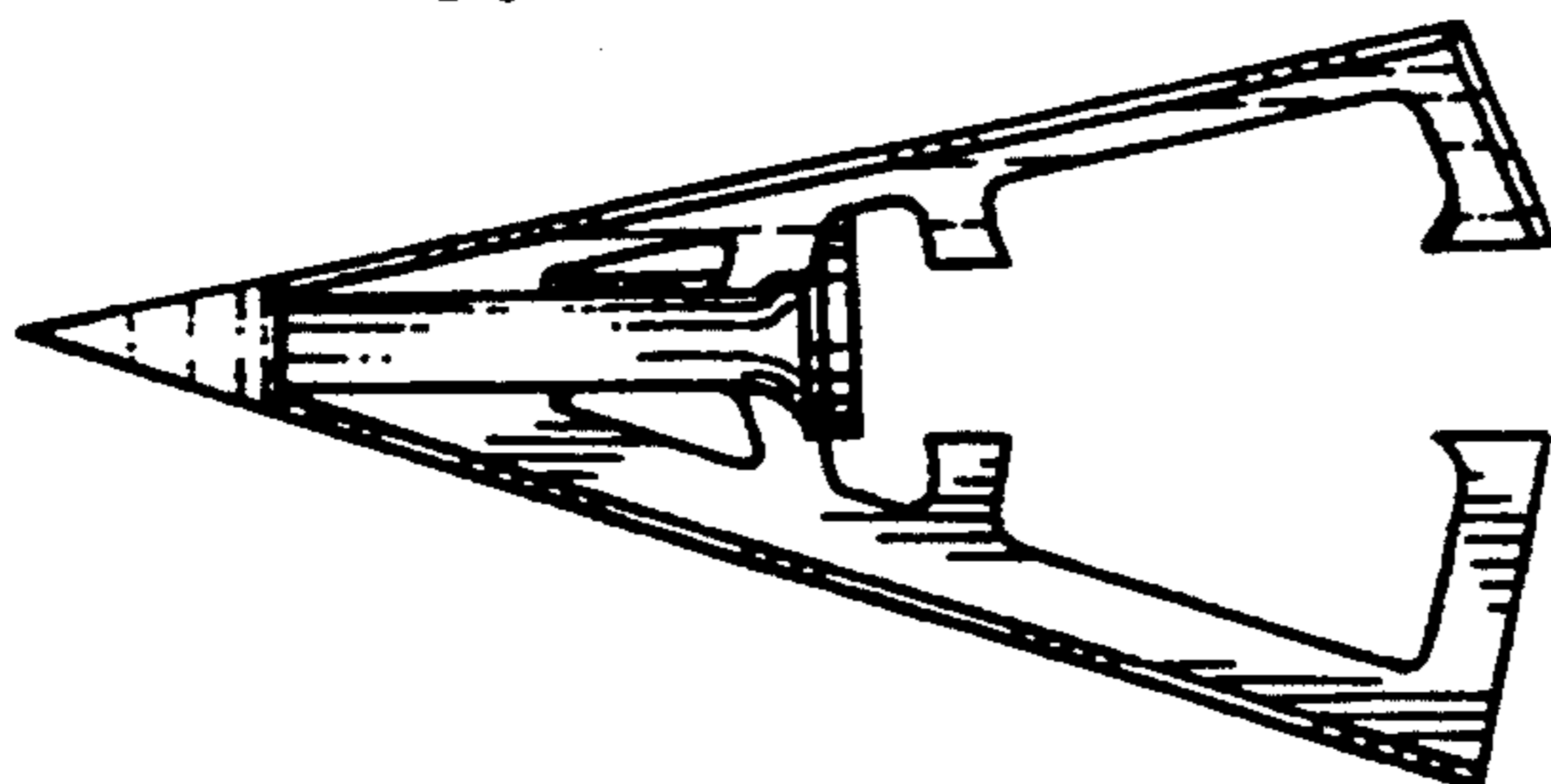


FIG. 9

FIG. 10

