



US00D351888S

United States Patent [19]

[11] Patent Number: **Des. 351,888**

Stephens

[45] Date of Patent: **** Oct. 25, 1994**

[54] **BOWLING ALLEY BOUNCE BOARD**

[75] Inventor: **Michael W. Stephens**, Richmond, Va.

[73] Assignee: **AMF Bowling, Inc.**, Mechanicsville, Va.

[**] Term: **14 Years**

[21] Appl. No.: **10,584**

[22] Filed: **Jul. 13, 1993**

[52] U.S. Cl. **D21/233**

[58] Field of Search 473/115, 116, 117, 55,
473/58, 74, 106, 109, 114; 273/287, 285, 286;
D21/233, 14

[56] **References Cited**

U.S. PATENT DOCUMENTS

D. 191,791	11/1961	Konves	D21/233	X
D. 197,565	2/1964	Meyer	D21/233	
D. 226,099	1/1973	Schaefer	D21/233	
D. 238,380	1/1976	Meade	D21/233	
2,247,769	7/1941	Constant	473/116	
4,320,898	3/1982	Brunst et al.	473/117	
4,910,073	3/1990	Tamura et al.	D21/233	X

OTHER PUBLICATIONS

Brunswick Supplies and Equipment, 1961-1962 Cat p. 15, item #5.

Primary Examiner—Prabhakar G. Deshmukh
Attorney, Agent, or Firm—Bacon & Thomas

[57] **CLAIM**

The ornamental design of the bowling alley bounce board, as shown.

DESCRIPTION

FIG. 1 is a perspective view illustrating the top of a bowling alley bounce board in accordance with the present invention;

FIG. 2 is a perspective view illustrating the bowling alley bounce board as shown in FIG. 1 as seen from a position below the bounce board;

FIG. 3 is a top plan view of the bowling alley bounce board shown in FIGS. 1 and 2;

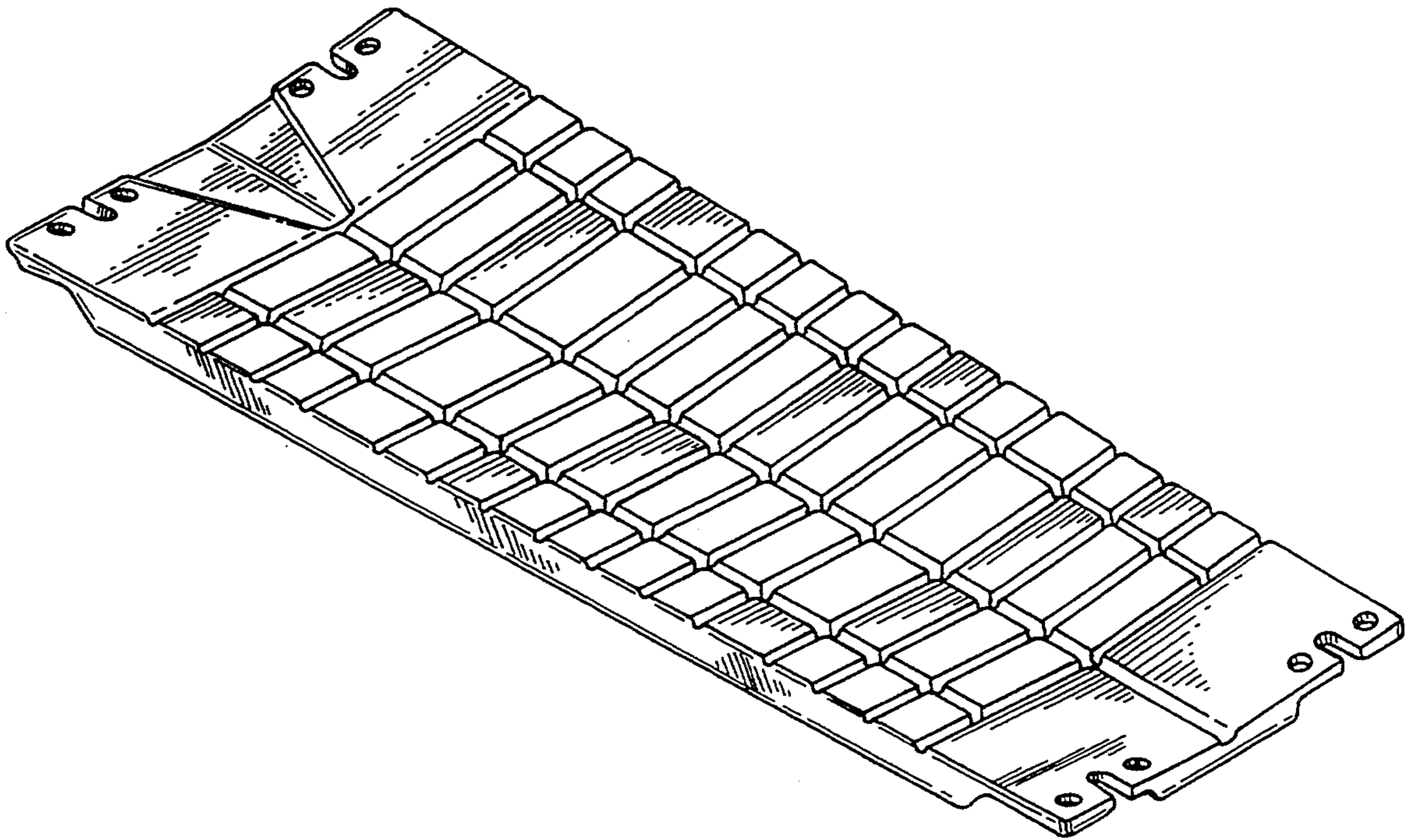
FIG. 4 is a bottom plan view of a bowling alley bounce board in accordance with the invention;

FIG. 5 is a first side-elevation view of the bowling alley bounce board according to the invention;

FIG. 6 is a side view of a bowling alley bounce board according to the invention taken from the opposite side of that shown in FIG. 5;

FIG. 7 is an end view of a bowling alley bounce board taken from one end of the bounce board; and,

FIG. 8 is an end view of the bounce board shown in FIG. 7 but taken from the opposite end.



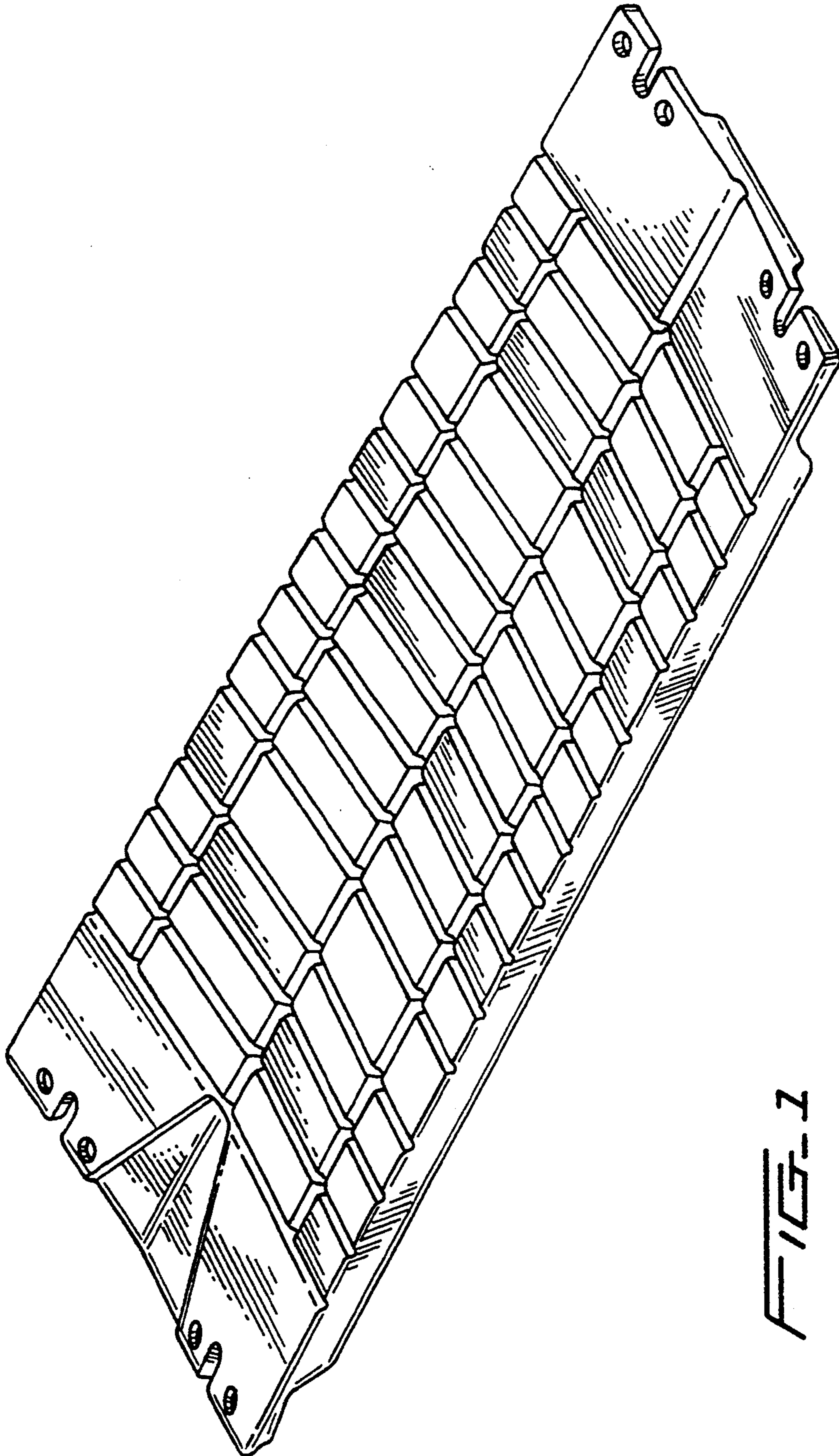


FIG. 1

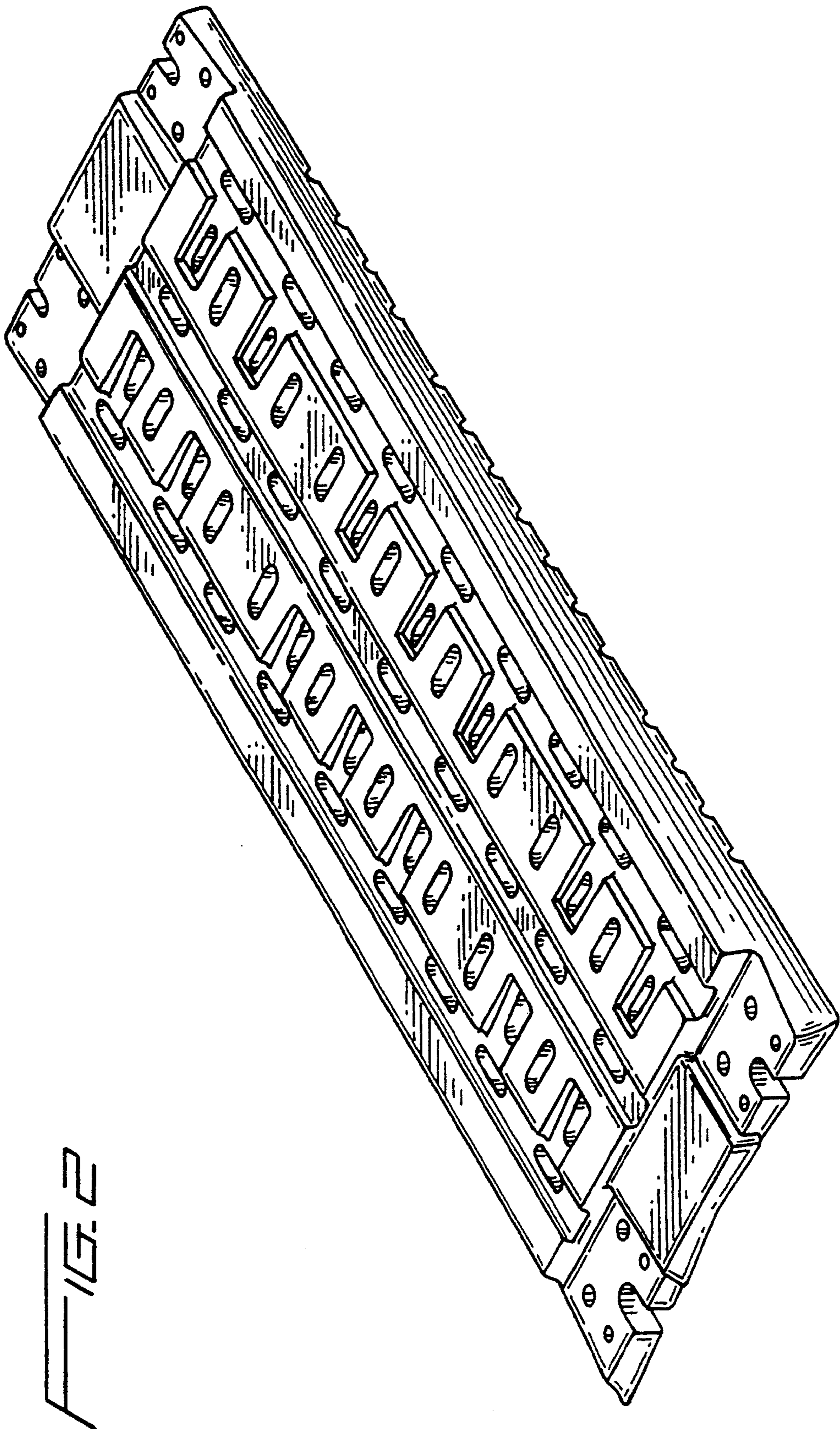


FIG. 2

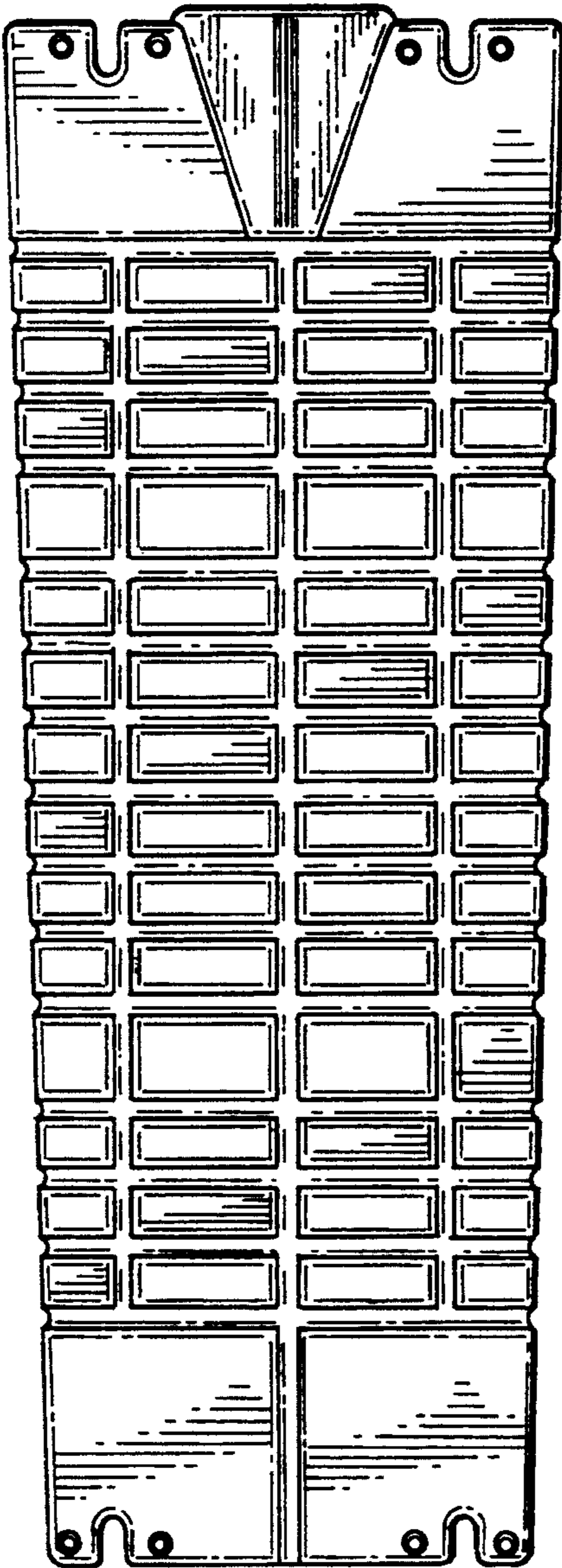


FIG. 3

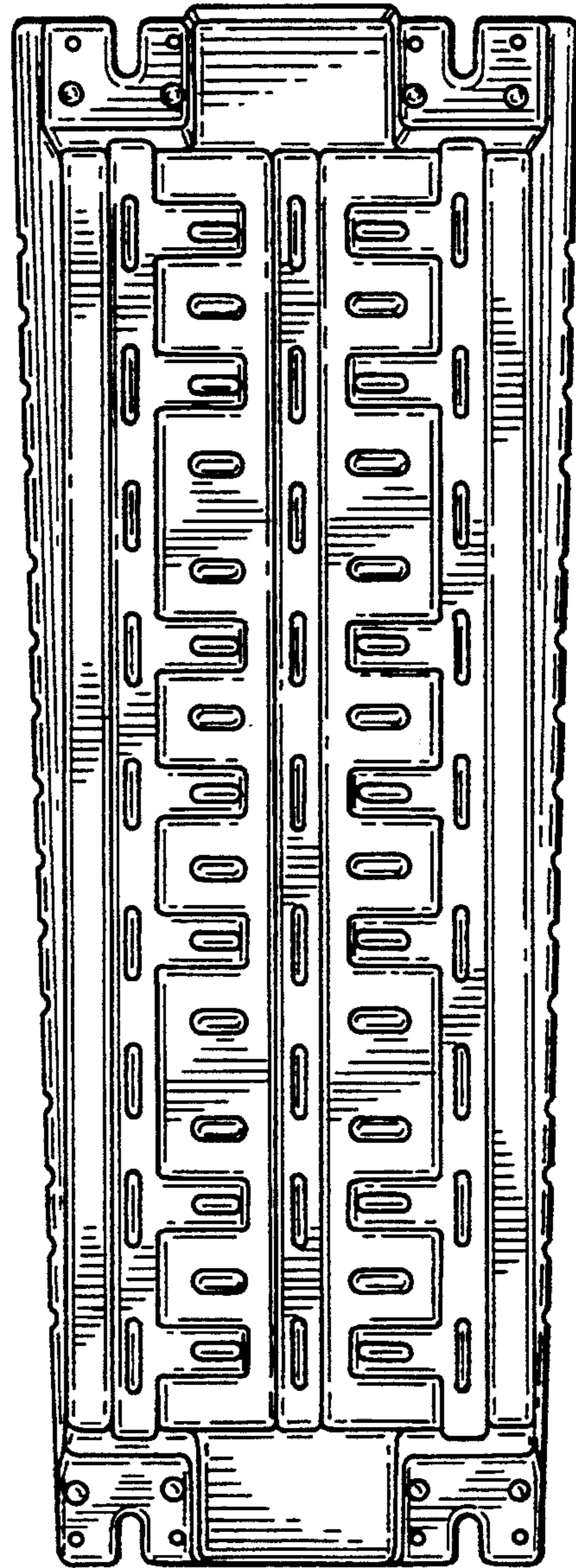


FIG. 4



FIG. 5



FIG. 6



FIG. 8



FIG. 7