



US00D351887S

United States Patent [19]

[11] Patent Number: **Des. 351,887**

Zimmerman

[45] Date of Patent: **** Oct. 25, 1994**

[54] SKI POLE BASKET

Primary Examiner—Kay H. Chin
Attorney, Agent, or Firm—H. Gordon Shields

[76] Inventor: **David W. Zimmerman**, 45 N. Phyllis,
#213, Mesa, Ariz. 85201

[57] **CLAIM**

[**] Term: **14 Years**

The ornamental design for a ski pole basket, as shown and described.

[21] Appl. No.: **14,756**

DESCRIPTION

[22] Filed: **Nov. 1, 1993**

[52] U.S. Cl. **D21/230**

[58] Field of Search 280/824, 819, 809;
D21/229, 230

FIG. 1 is an upper right front perspective view of a ski pole basket showing my new design, the broken lines are for illustrative purposes only;
FIG. 2 is a left side elevational view thereof;
FIG. 3 is a front elevational view thereof;
FIG. 4 is a rear elevational view thereof;
FIG. 5 is a top view thereof;
FIG. 6 is a bottom view thereof;
FIG. 7 is an upper right front perspective view of a second embodiment of the ski pole basket;
FIG. 8 is a left side elevational view of FIG. 7;
FIG. 9 is a front elevational view of FIG. 7;
FIG. 10 is a rear elevational view of FIG. 7;
FIG. 11 is a top view of FIG. 7; and,
FIG. 12 is a bottom view of FIG. 7.

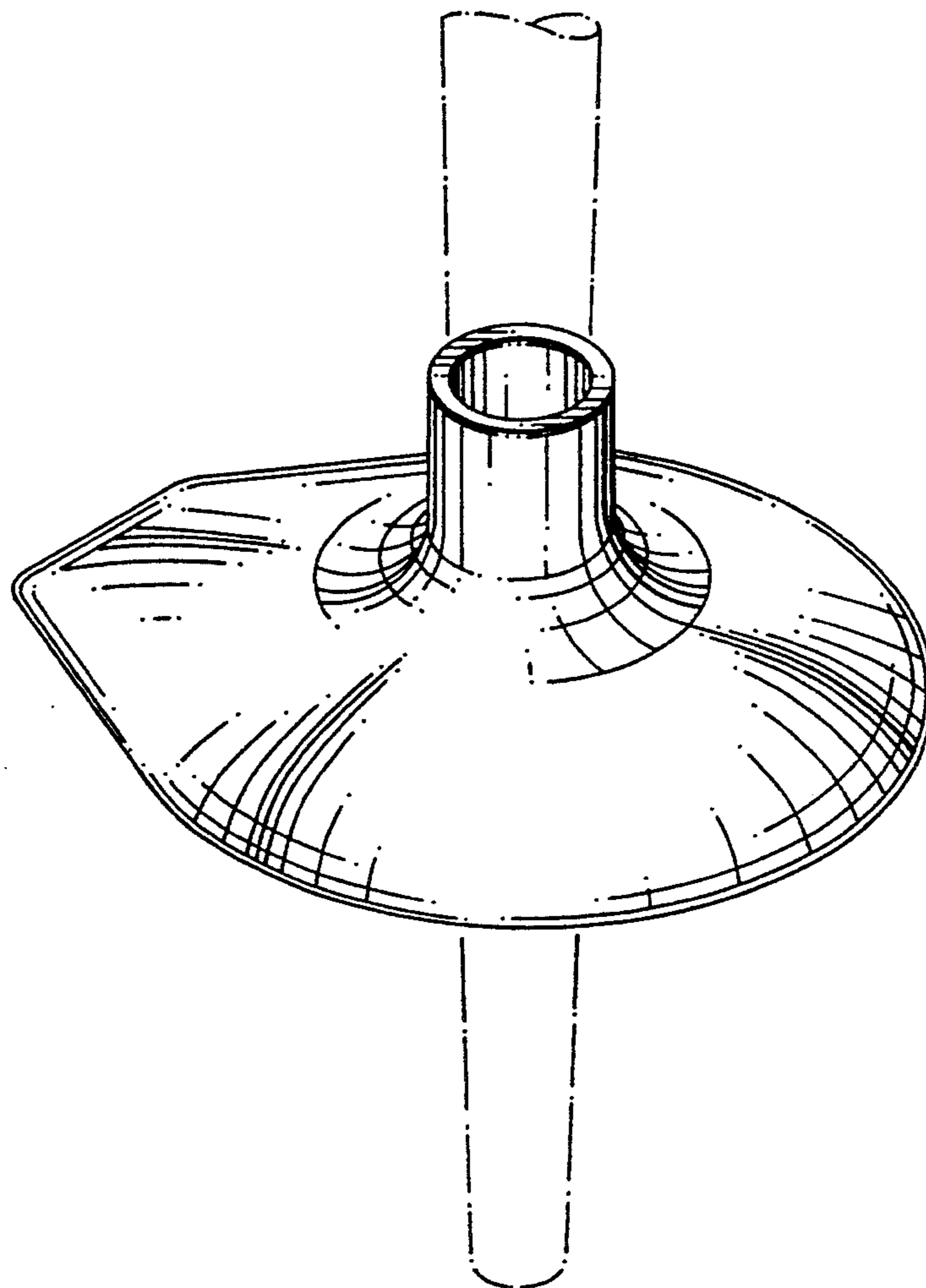
[56] References Cited

U.S. PATENT DOCUMENTS

D. 302,288 7/1989 Filice D21/230
D. 343,217 1/1994 Järvinen D21/230
4,221,392 9/1980 Aho 280/824

FOREIGN PATENT DOCUMENTS

598841 5/1978 Switzerland 280/824
9009822 9/1990 World Int. Prop. O. 280/824



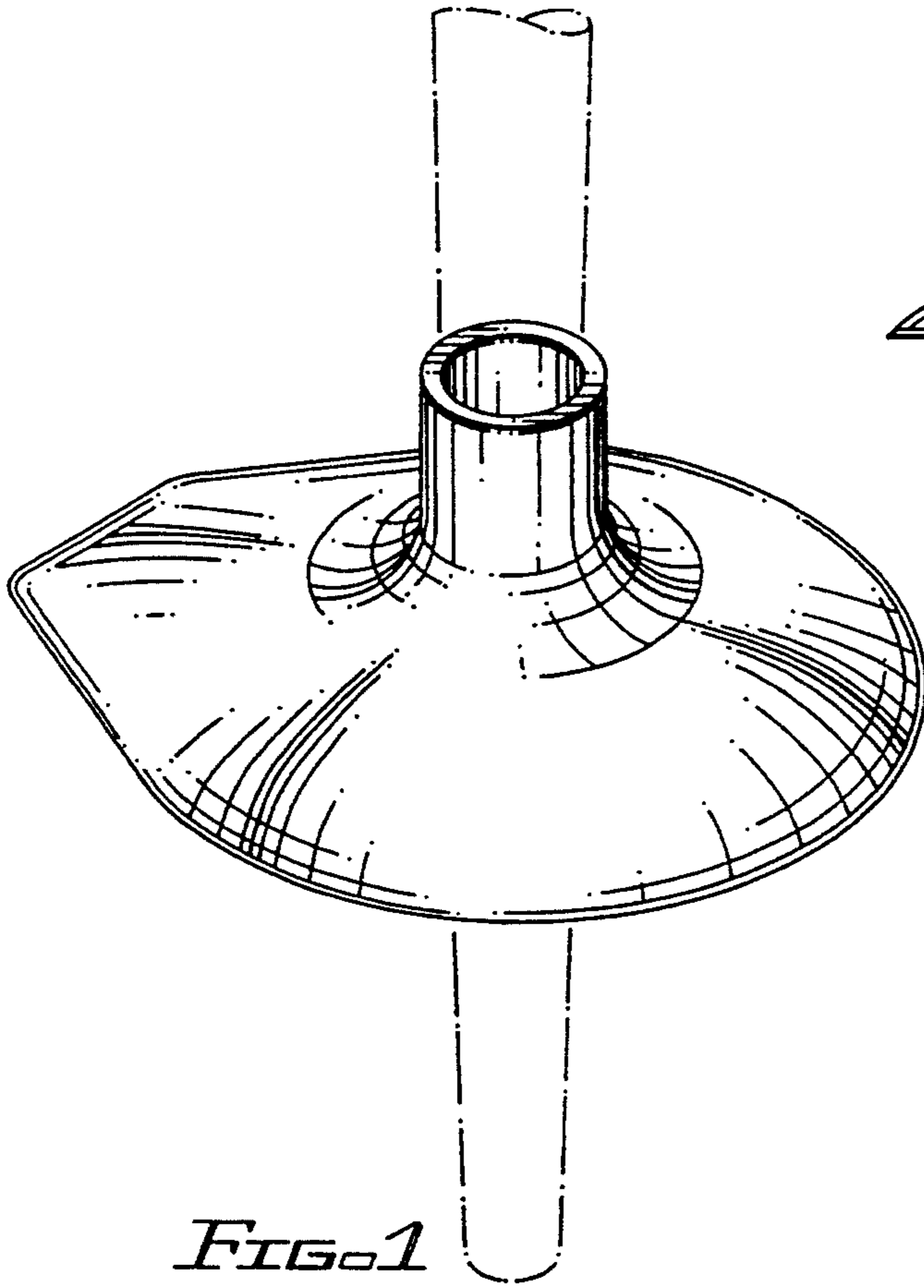


FIG. 1

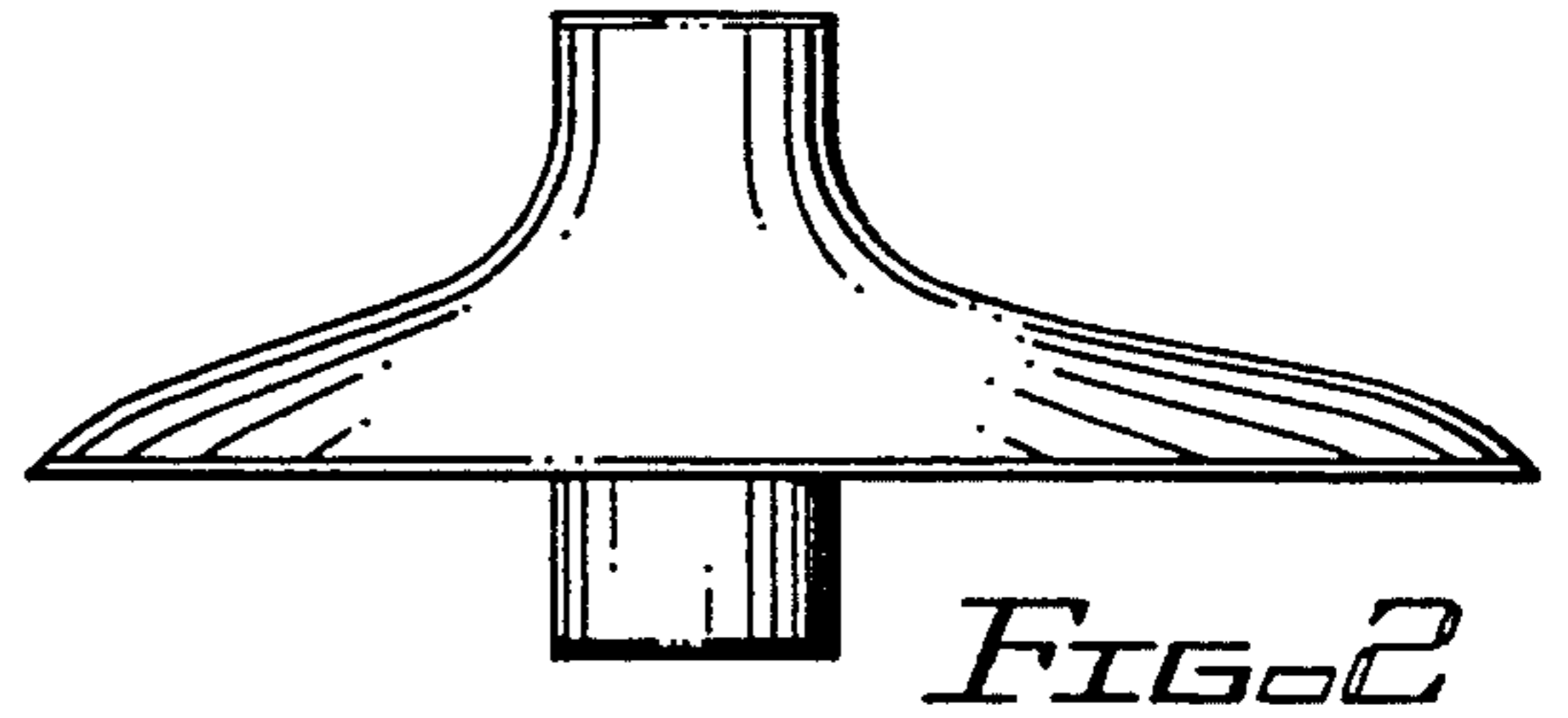


FIG. 2

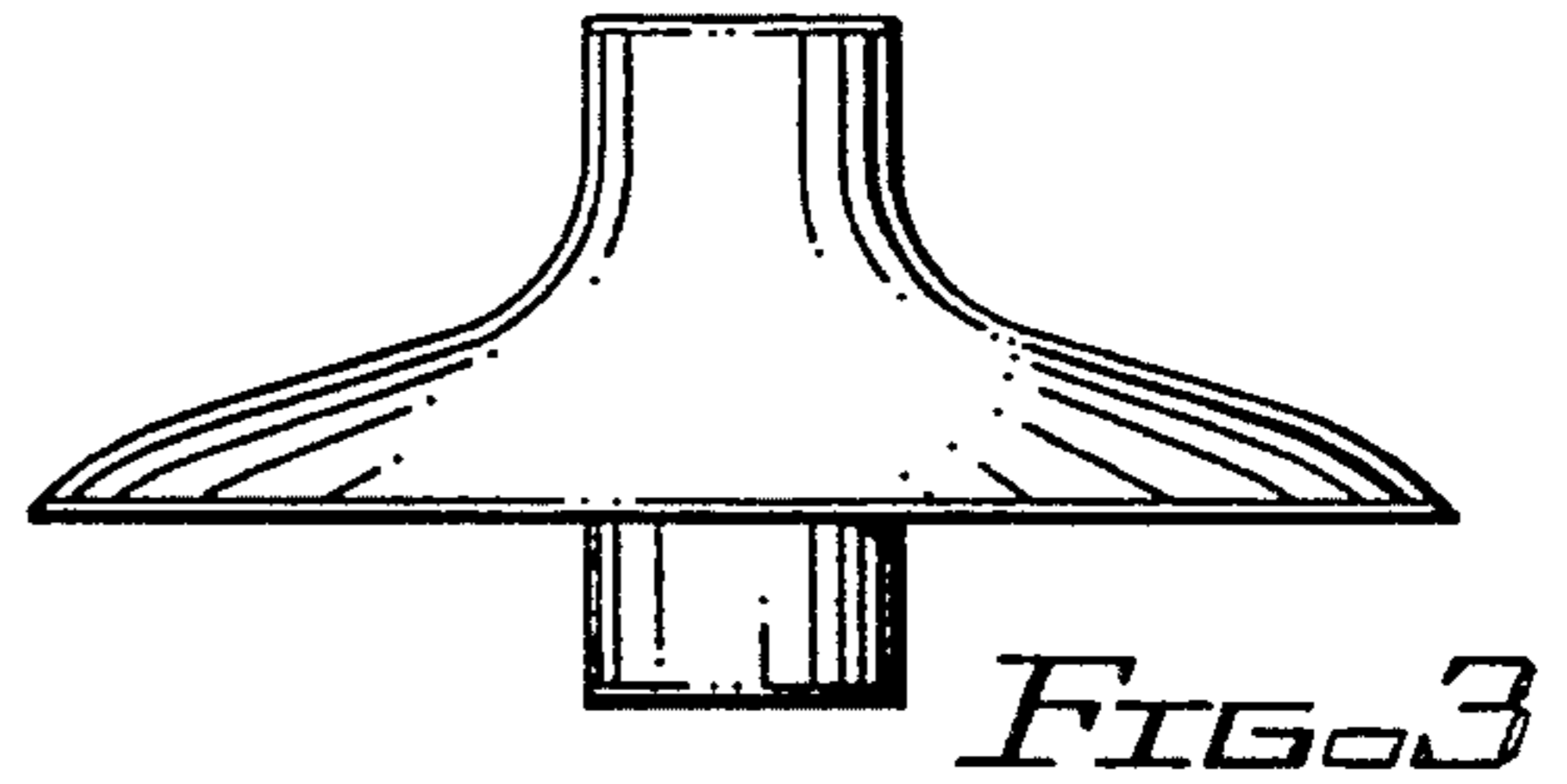


FIG. 3

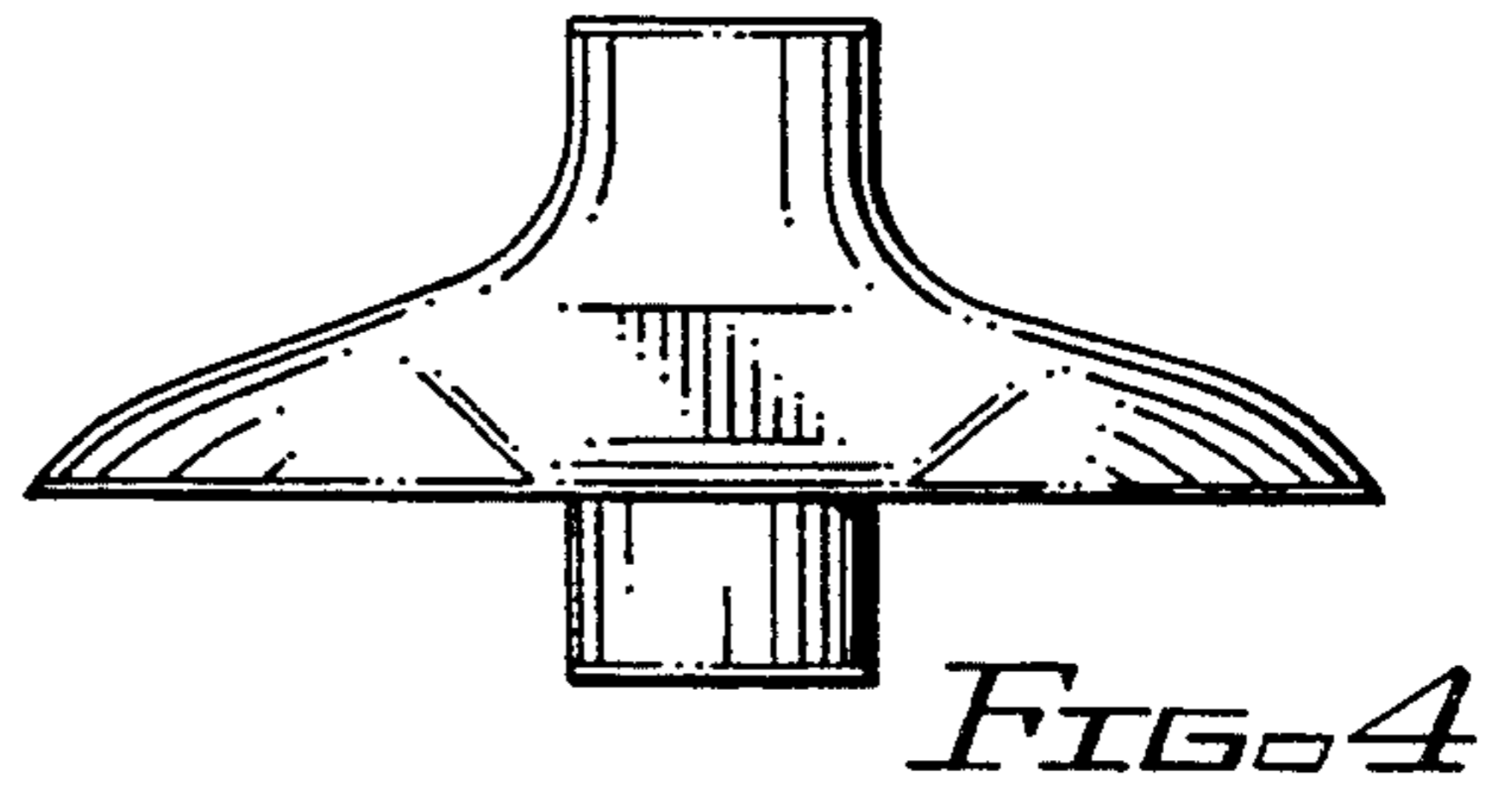


FIG. 4

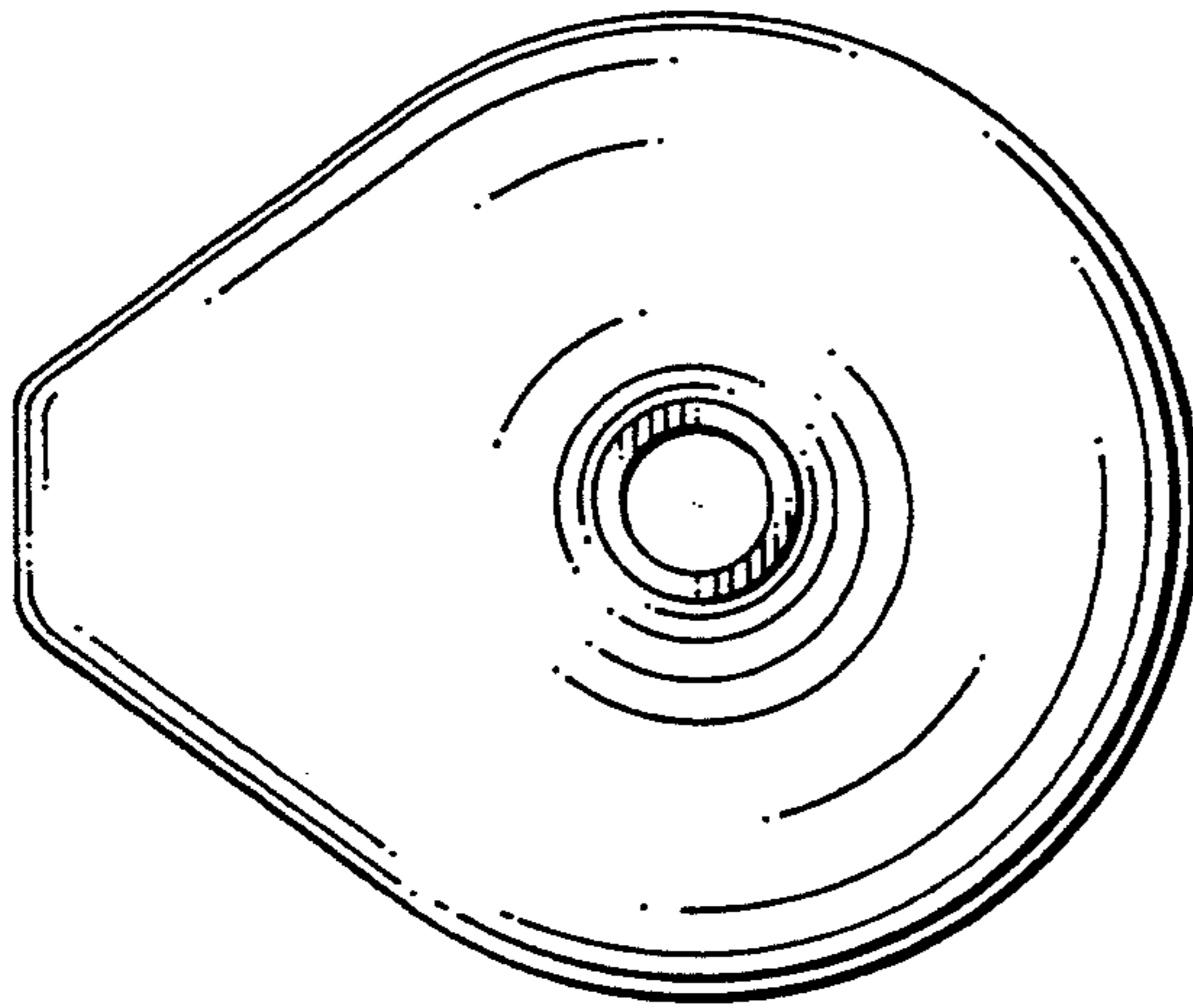


FIG. 5

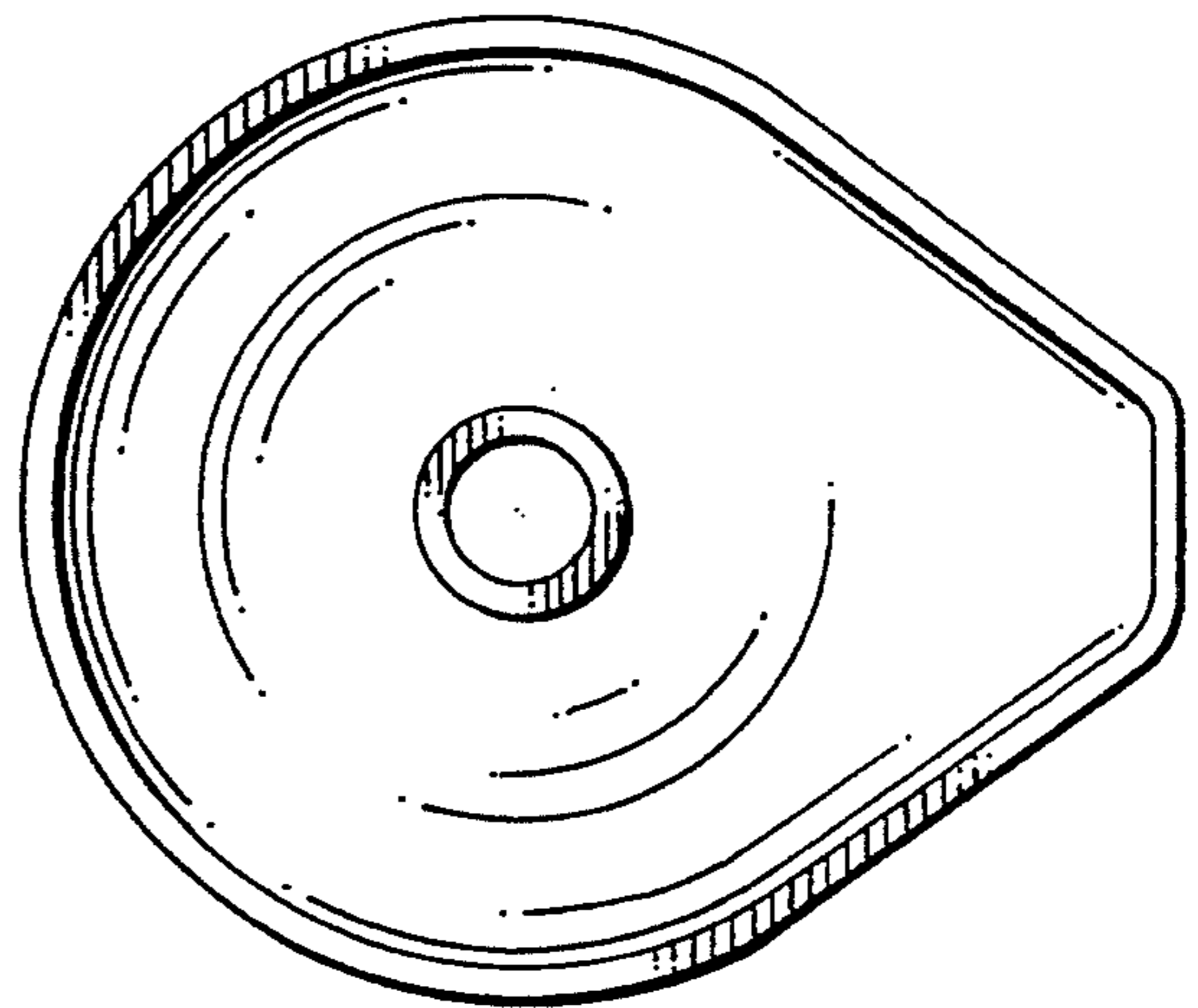


FIG. 6

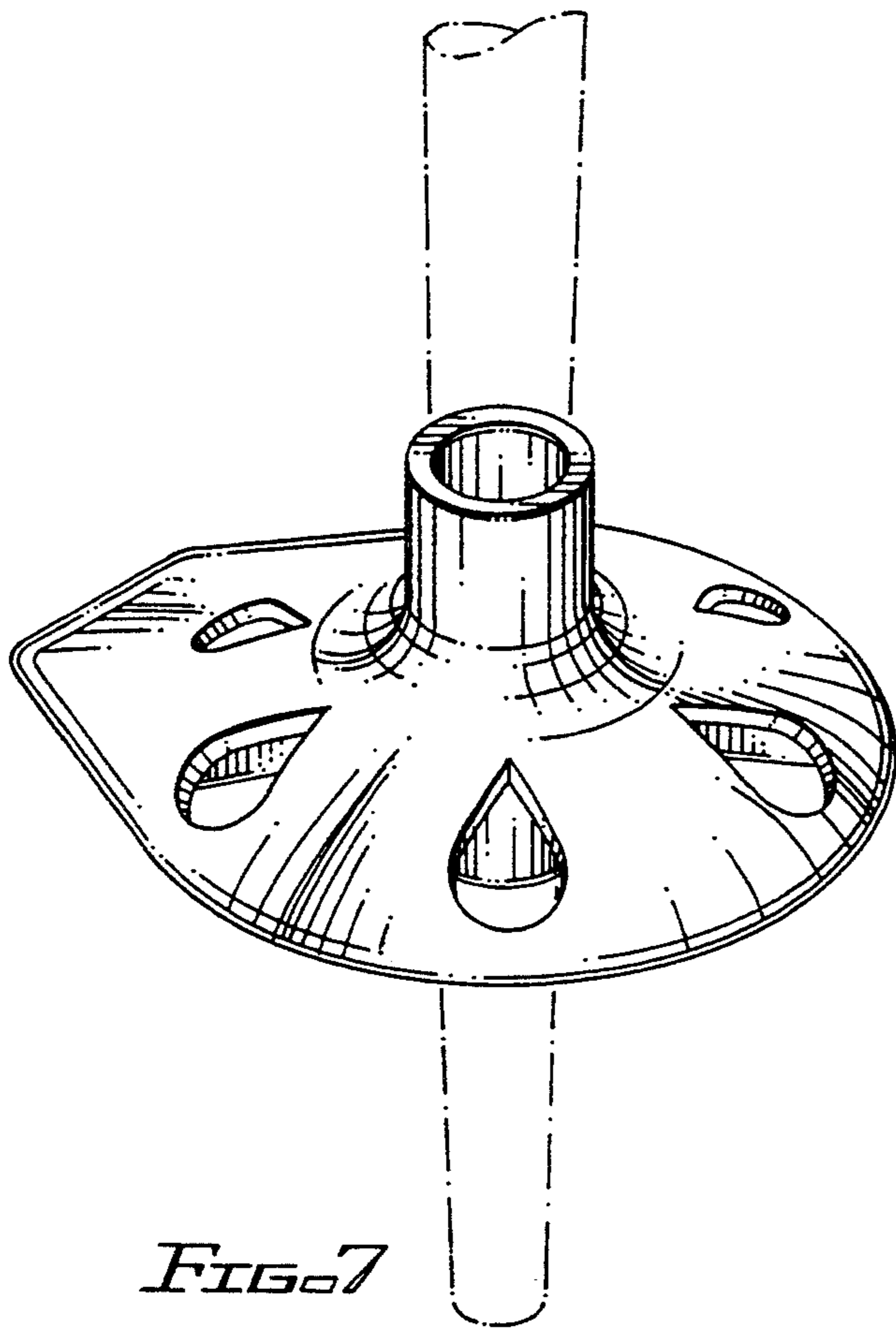


FIG. 7

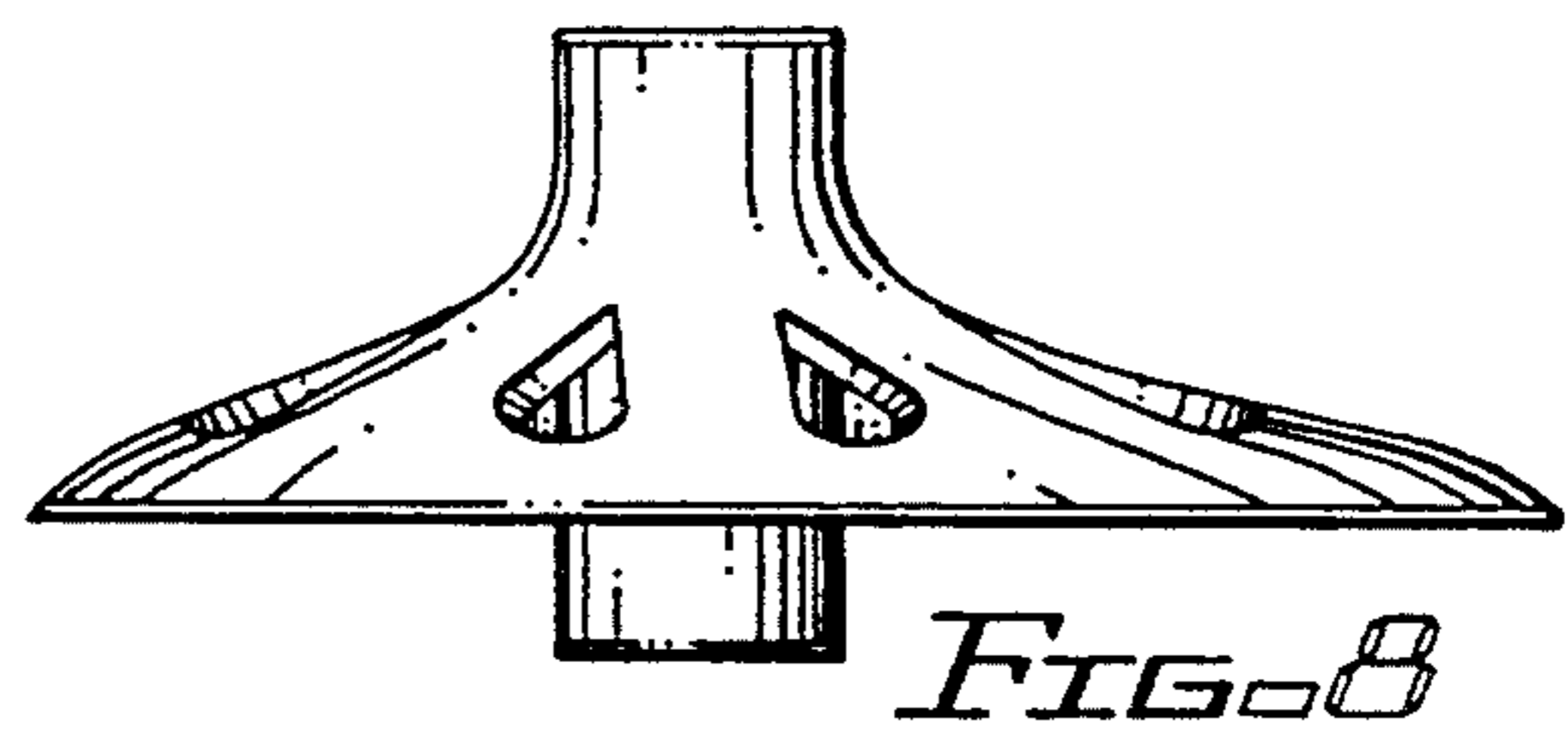


FIG. 8

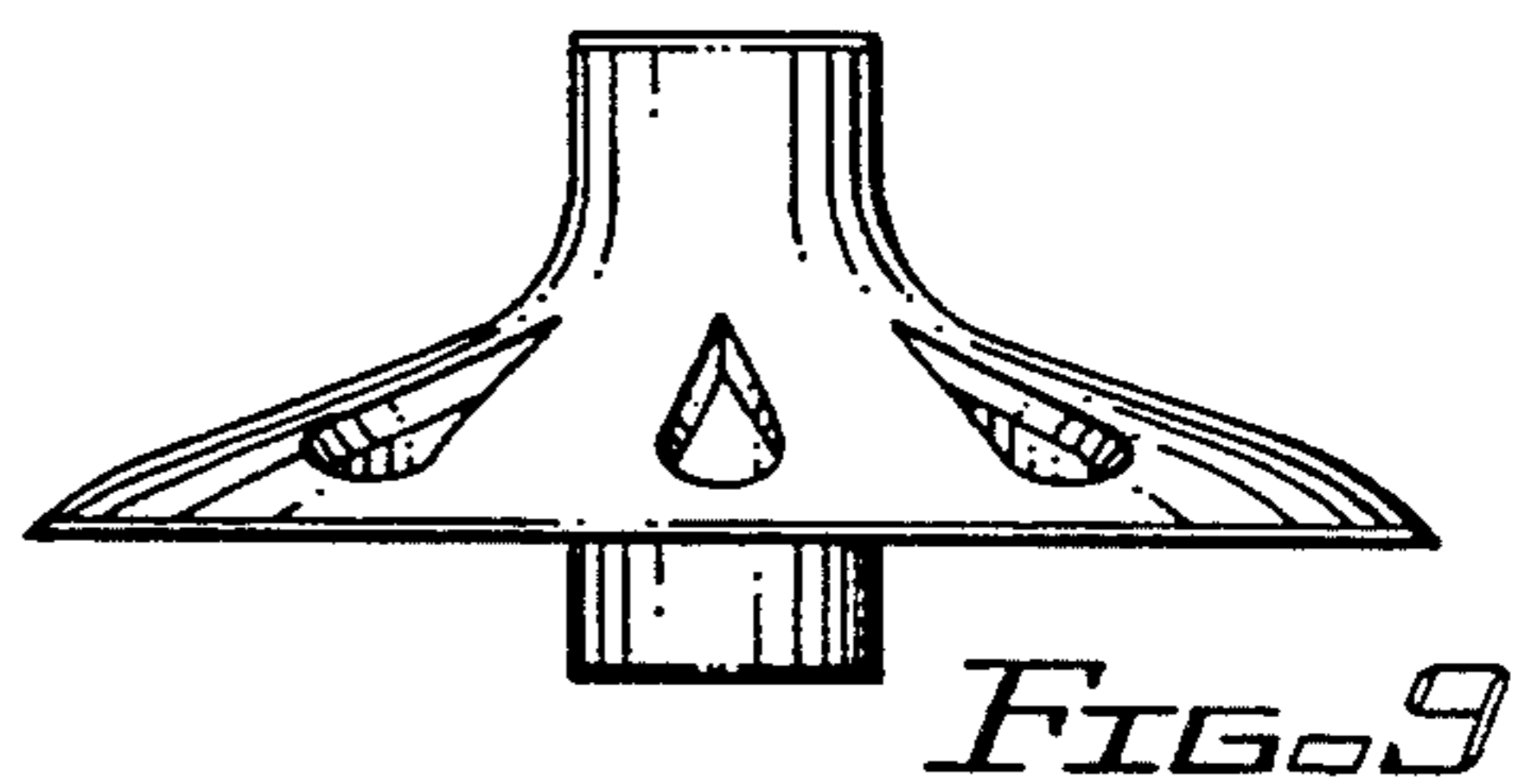


FIG. 9

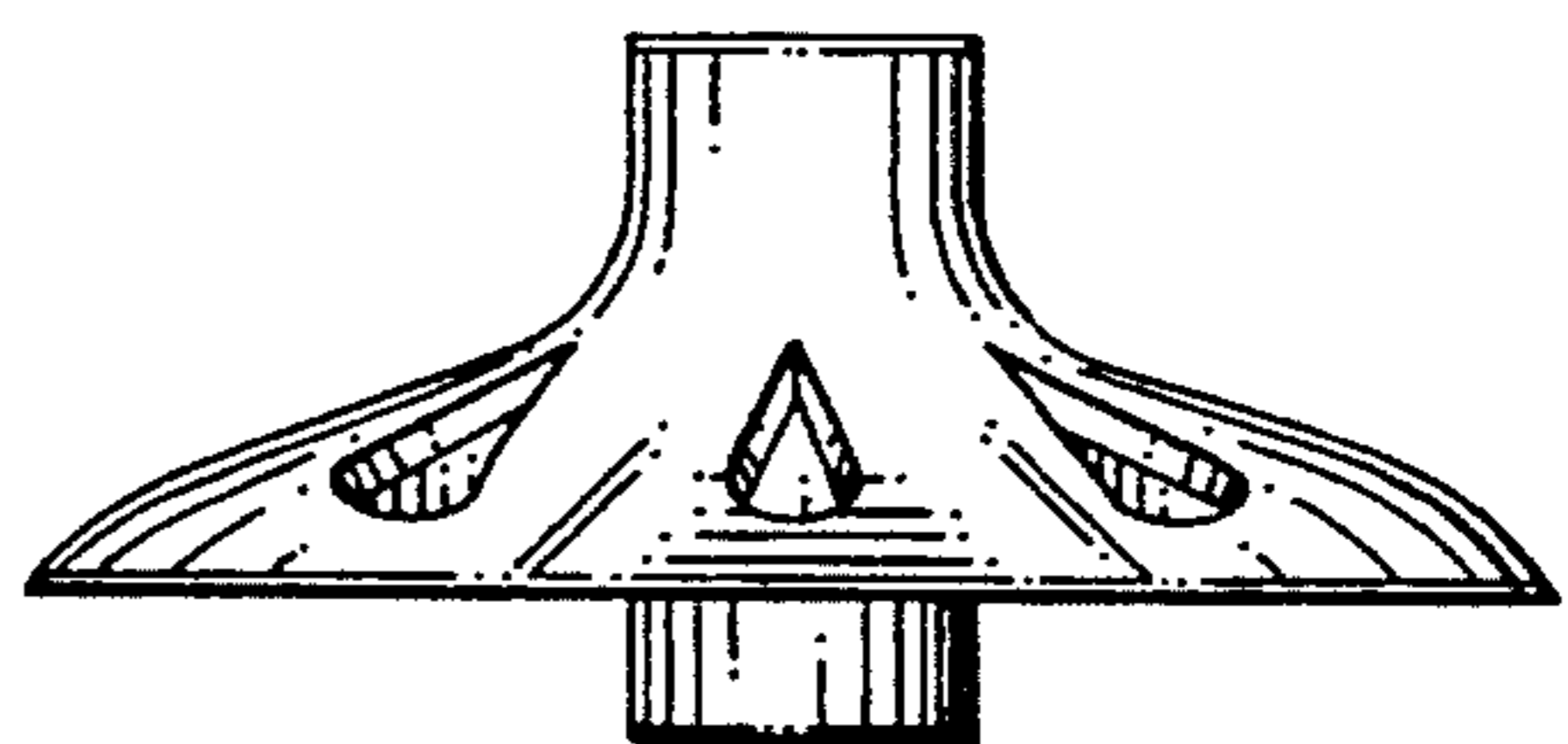


FIG. 10

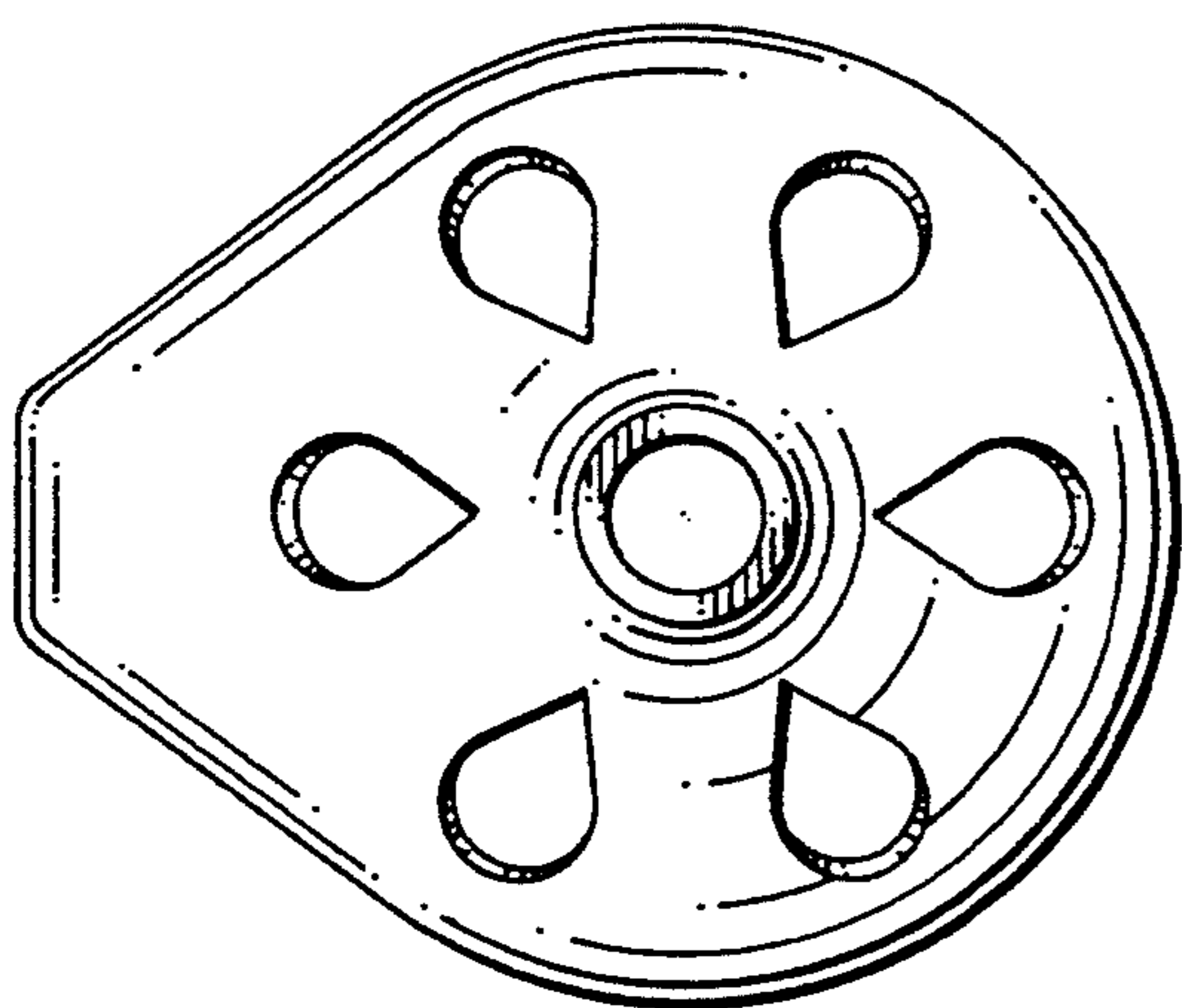


FIG. 11

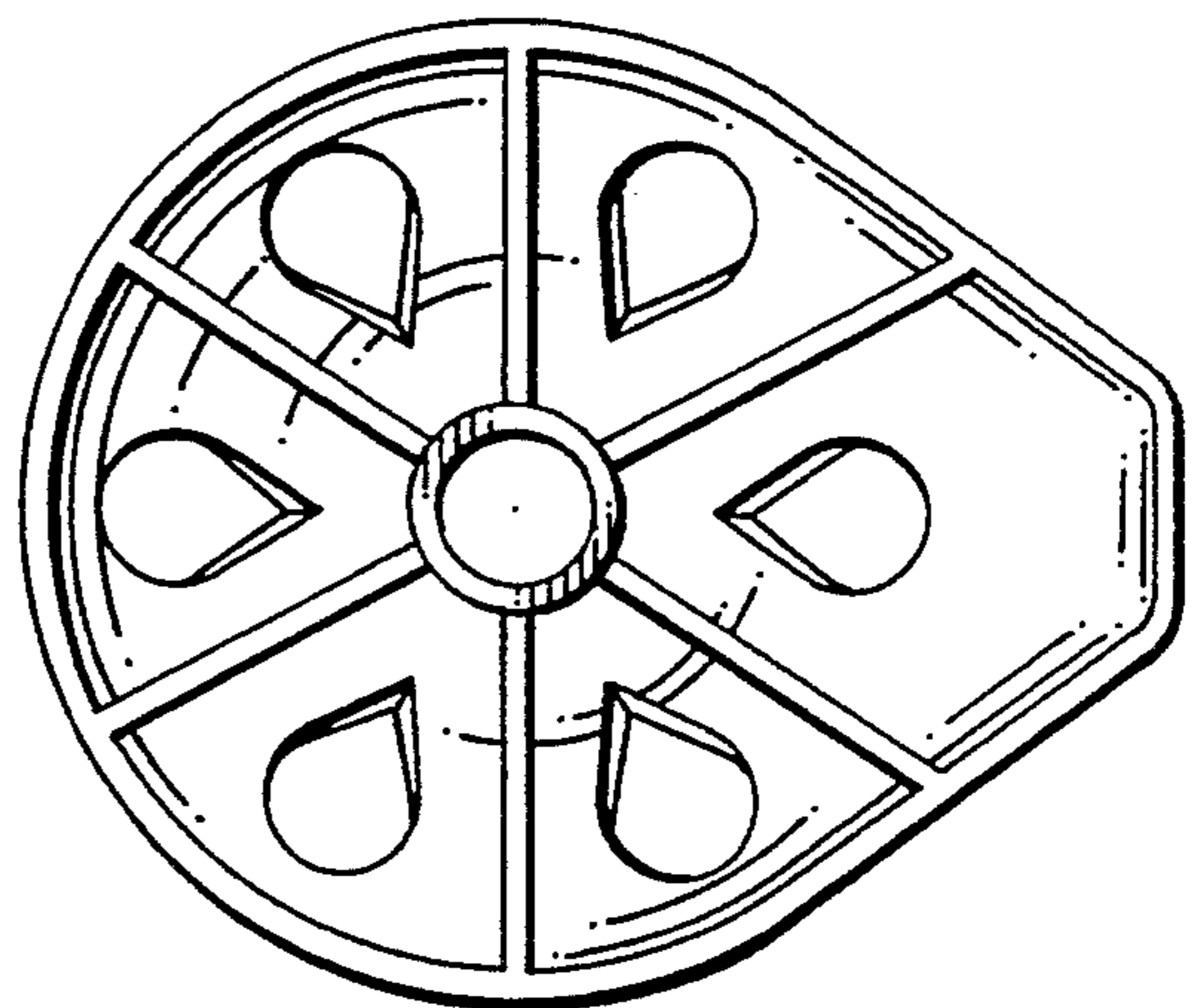


FIG. 12