



US00D351886S

United States Patent [19]
Holland

[11] **Patent Number: Des. 351,886**

[45] **Date of Patent: ** Oct. 25, 1994**

- [54] **SKI JUMP TRACK APPARATUS**
- [75] Inventor: **Michael H. Holland**, South Burlington, Vt.
- [73] Assignee: **SnowTile, Inc.**, Philadelphia, Pa.
- [**] Term: **14 Years**
- [21] Appl. No.: **2,804**
- [22] Filed: **Dec. 21, 1992**
- [52] U.S. Cl. **D21/230; D21/191**
- [58] Field of Search **280/809; 482/70, 146, 482/147, 54; D21/230, 229, 191**
- [56] **References Cited**
U.S. PATENT DOCUMENTS
4,804,178 2/1989 Friedebach 482/70

5,064,190 11/1991 Holt 482/70
5,279,531 1/1994 Jen-Huey 482/70

Primary Examiner—Kay H. Chin
Attorney, Agent, or Firm—Thomas N. Neiman

[57] **CLAIM**

The ornamental design for a ski jump track apparatus, as shown and described.

DESCRIPTION

FIG. 1 is a top plan view of the novel ski jump track apparatus;
FIG. 2 is a side (either) elevational view thereof, the opposite side being a mirror image thereof;
FIG. 3 is a bottom plan view thereof;
FIG. 4 is a front elevational view thereof;
FIG. 5 is a rear elevational view thereof; and,
FIG. 6 is a perspective view of the novel apparatus.

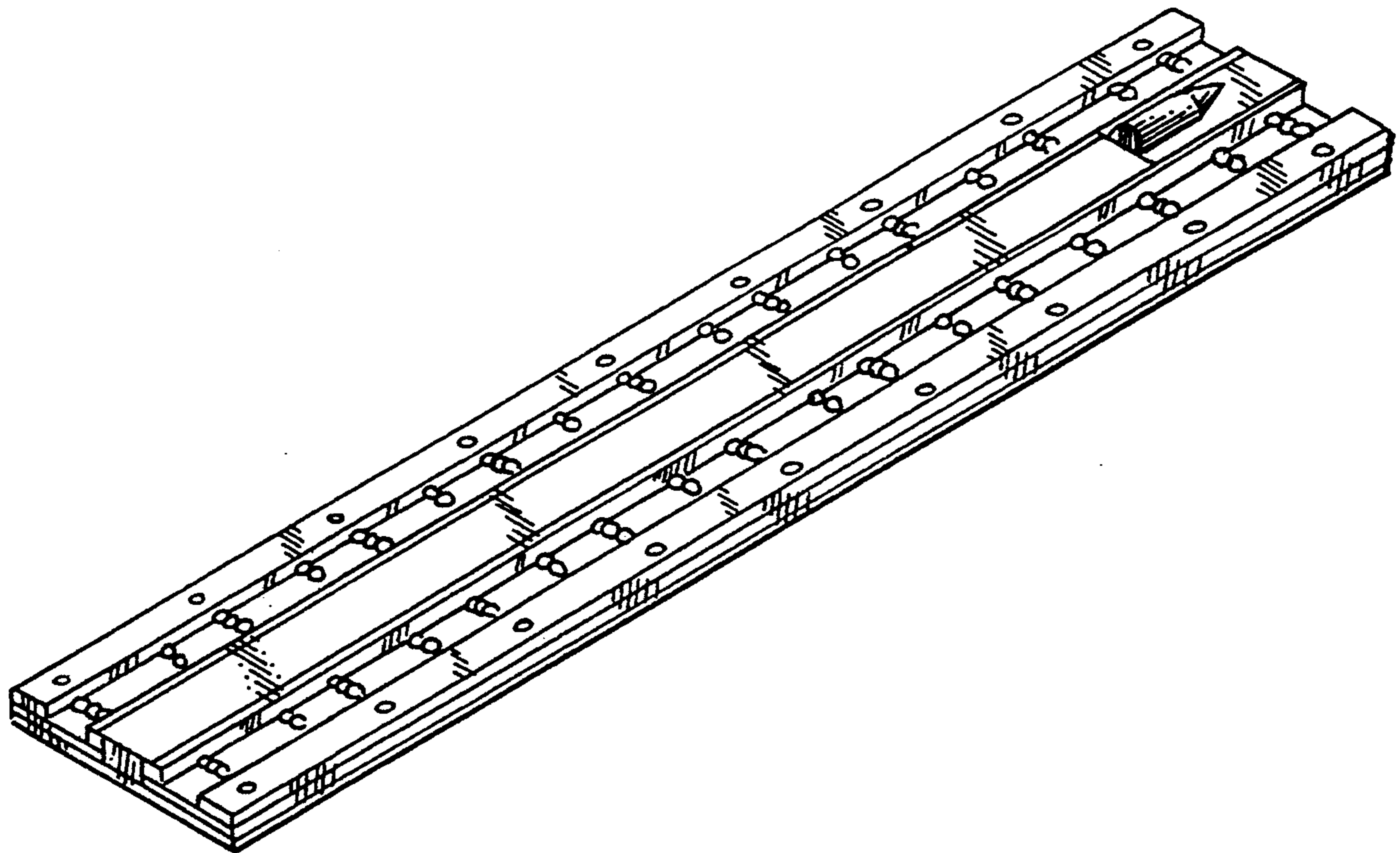


FIG. 1

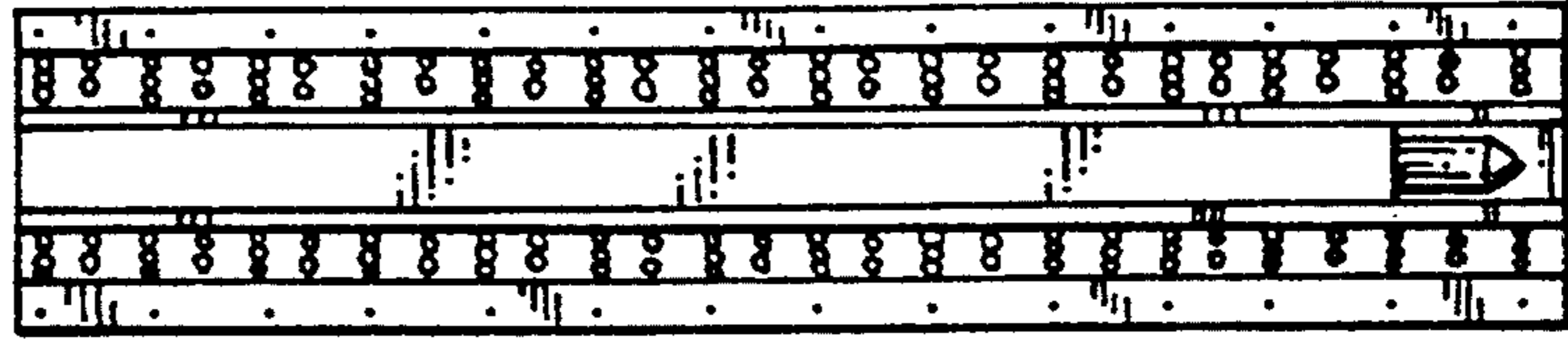


FIG. 2

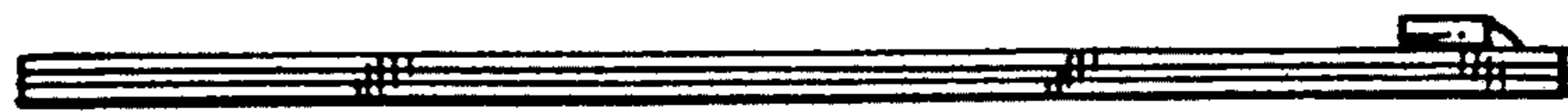


FIG. 3

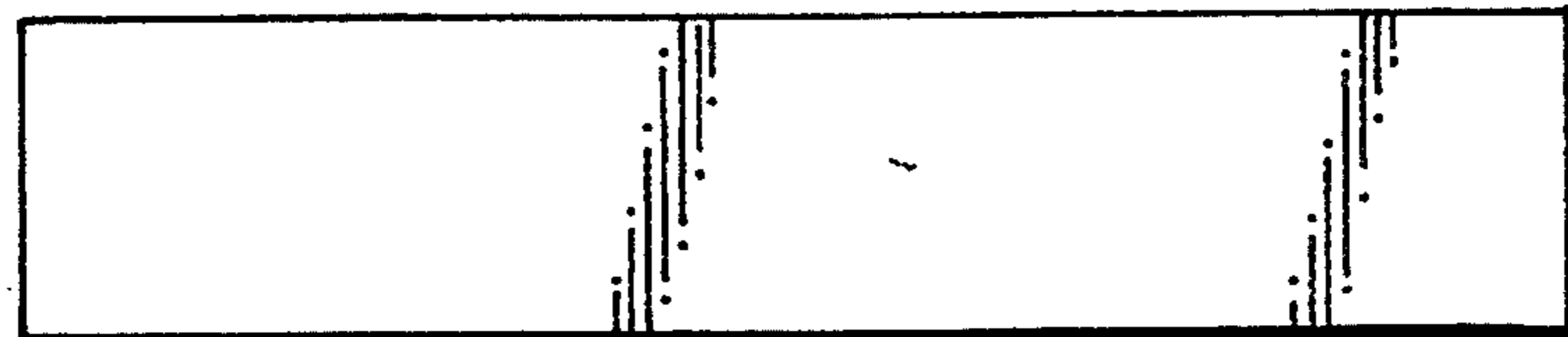


FIG. 6

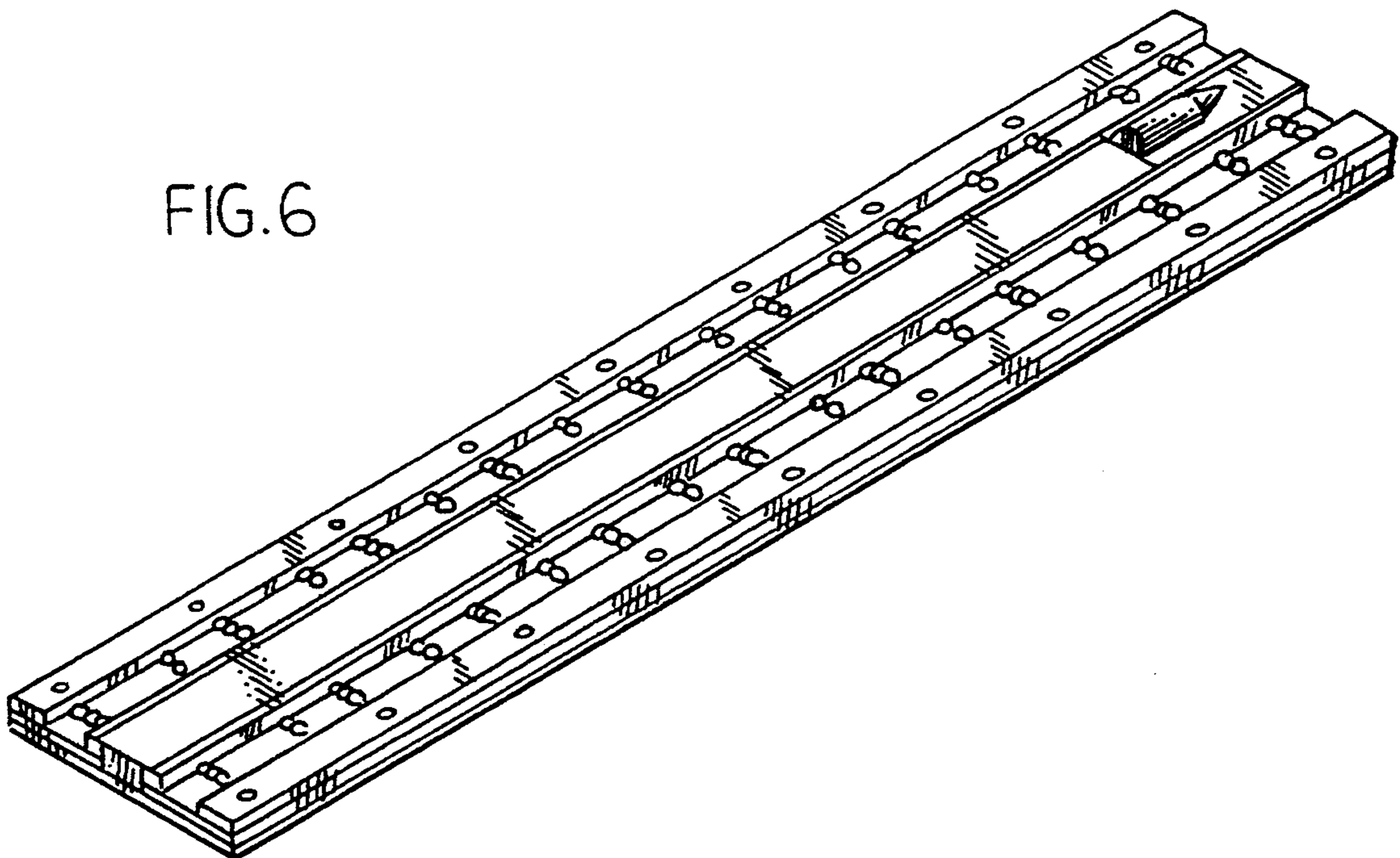


FIG. 4

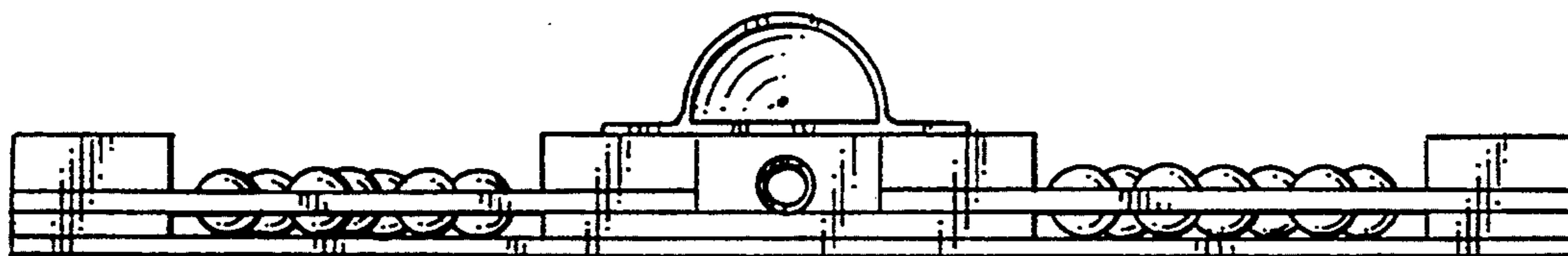


FIG. 5

