



US00D351885S

United States Patent [19] Gonthier

[11] Patent Number: **Des. 351,885**
[45] Date of Patent: **** Oct. 25, 1994**

[54] **DEVICE FOR CARRYING SKIS AND POLES**

[75] Inventor: **Bernard Gonthier**, Lambton, Canada

[73] Assignee: **Les Productions Gibergo Inc.**,
Lambton, Canada

[**] Term: **14 Years**

[21] Appl. No.: **2,275**

[22] Filed: **Dec. 7, 1992**

[52] U.S. Cl. **D21/230; D3/254**

[58] Field of Search **D3/254; 280/814, 809;**
224/917; 294/147; D21/230

[56] **References Cited**

U.S. PATENT DOCUMENTS

D. 327,773 7/1992 Ang D21/229
4,274,571 6/1981 Lafreniere et al. 280/814

5,106,112 4/1992 Sargent 280/814
5,184,863 2/1993 Hurson D21/230
5,282,535 2/1994 Rowland 280/814

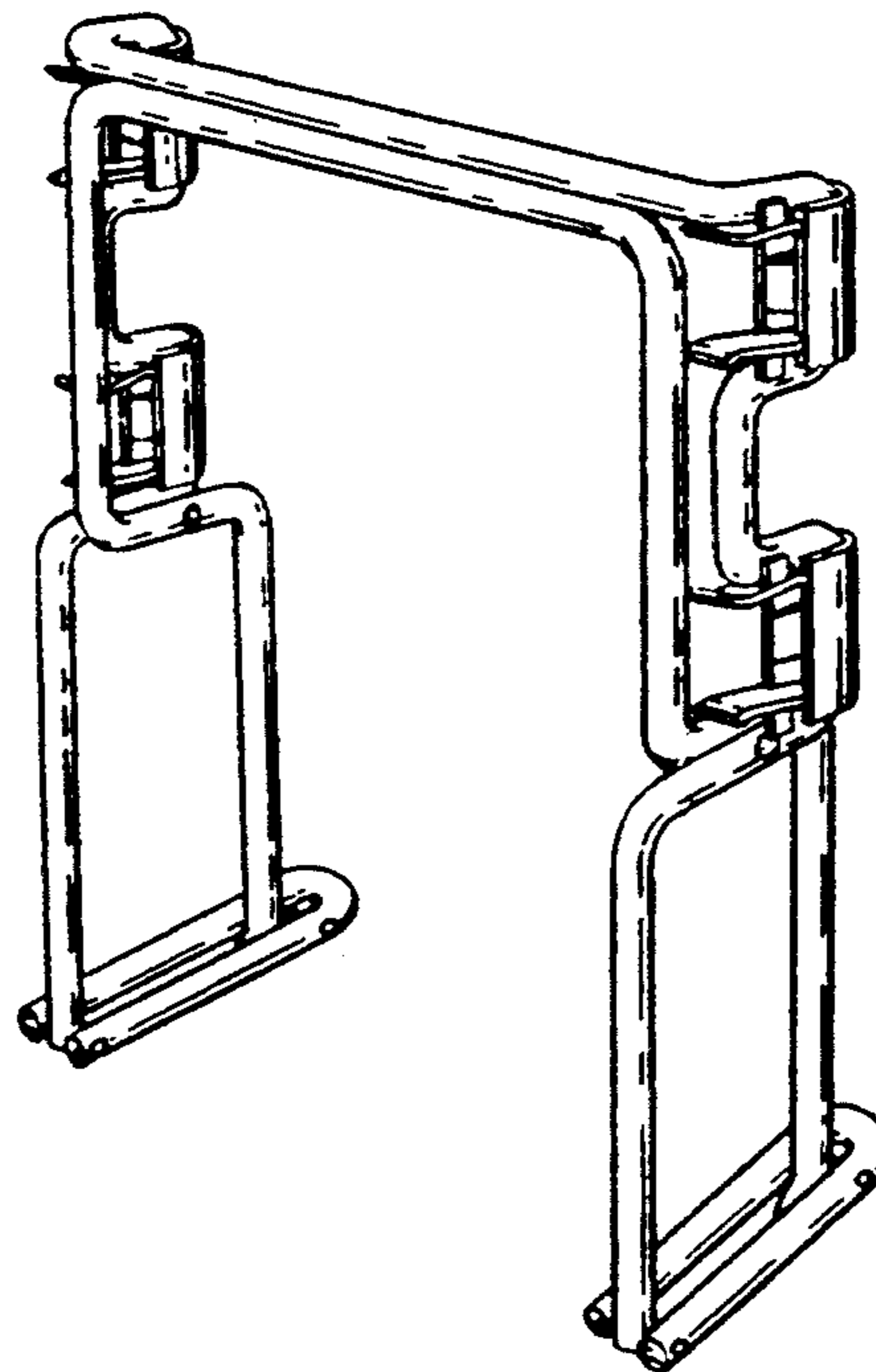
Primary Examiner—Kay H. Chin
Attorney, Agent, or Firm—Jean H. Dubuc

[57] CLAIM

The ornamental design for a device for carrying skis and poles, as shown and described.

DESCRIPTION

FIG. 1 is a rear perspective view of a device for carrying skis and poles showing my new design;
FIG. 2 is a side elevation thereof as seen from the left of FIG. 1;
FIG. 3 is a rear elevation thereof;
FIG. 4 is a top plan view thereof;
FIG. 5 is a bottom view thereof; and,
FIG. 6 is a front elevation thereof.



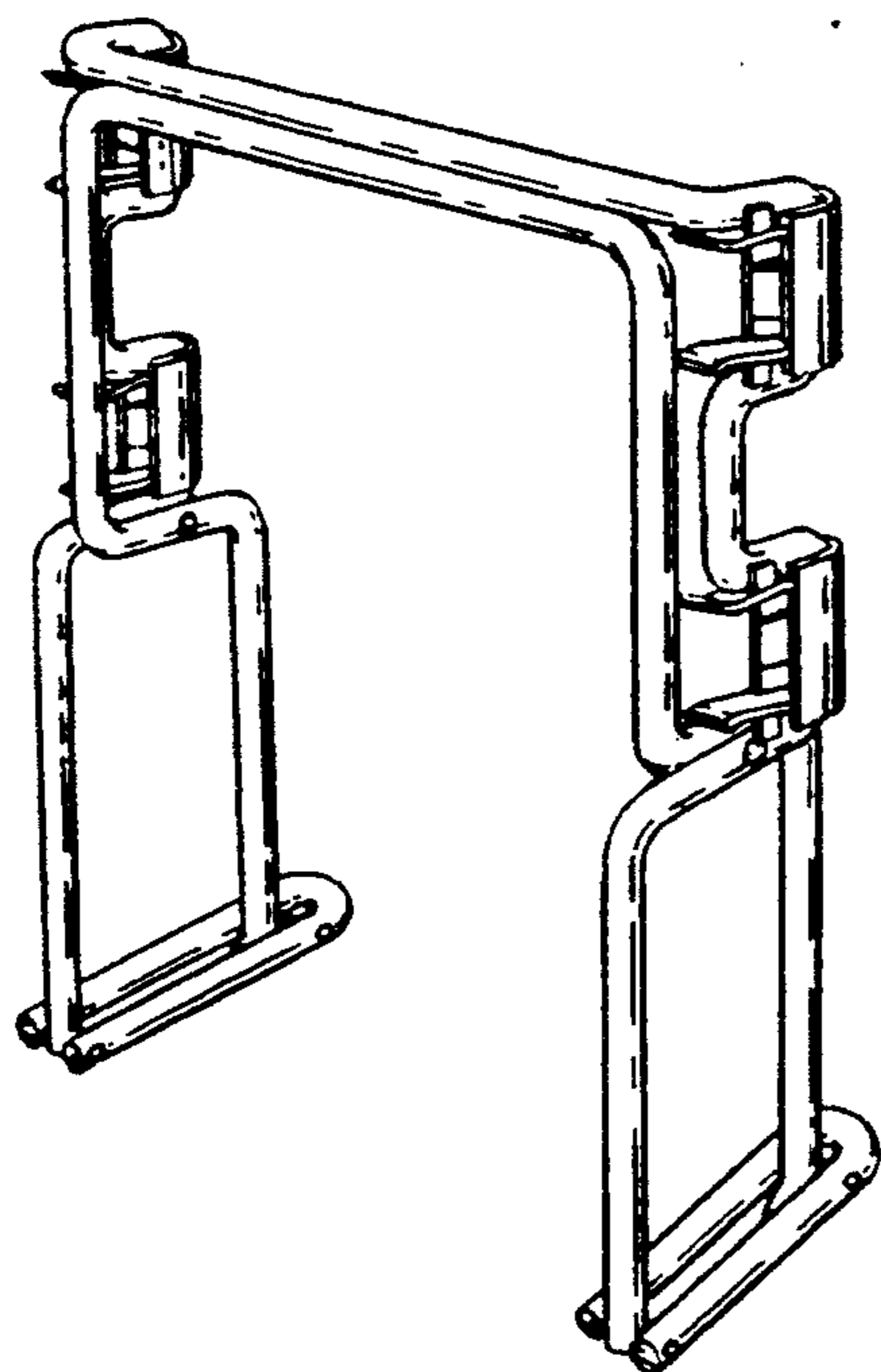


FIG. 1

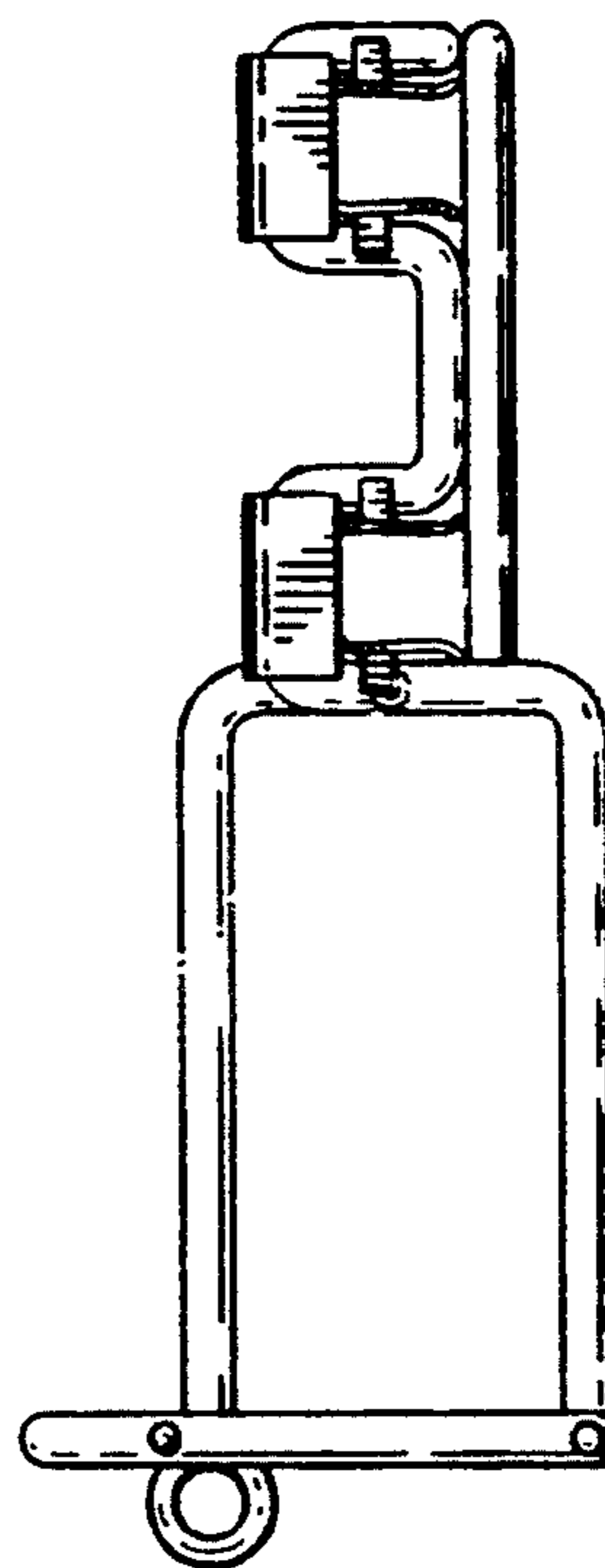


FIG. 2

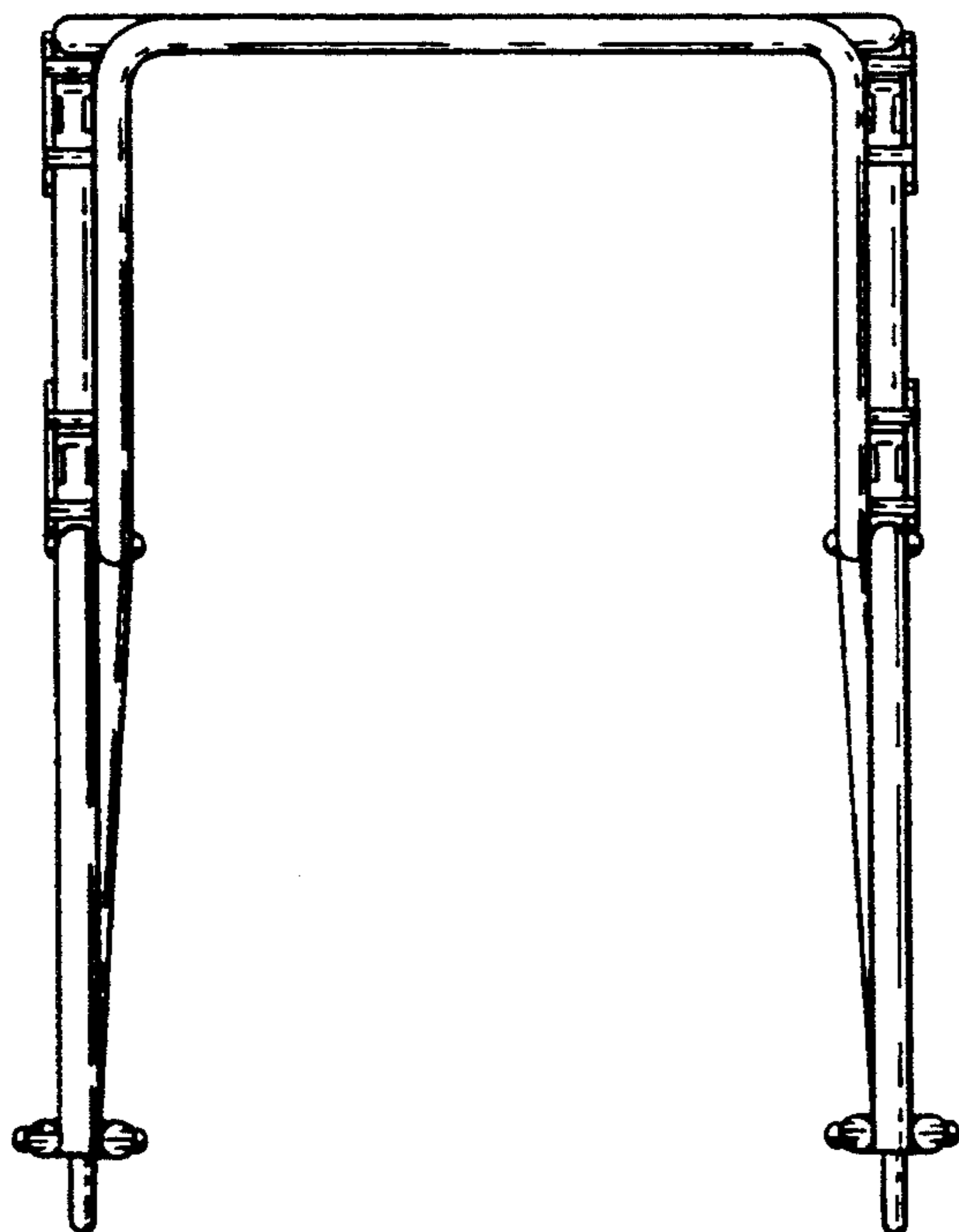


FIG. 3



FIG. 4

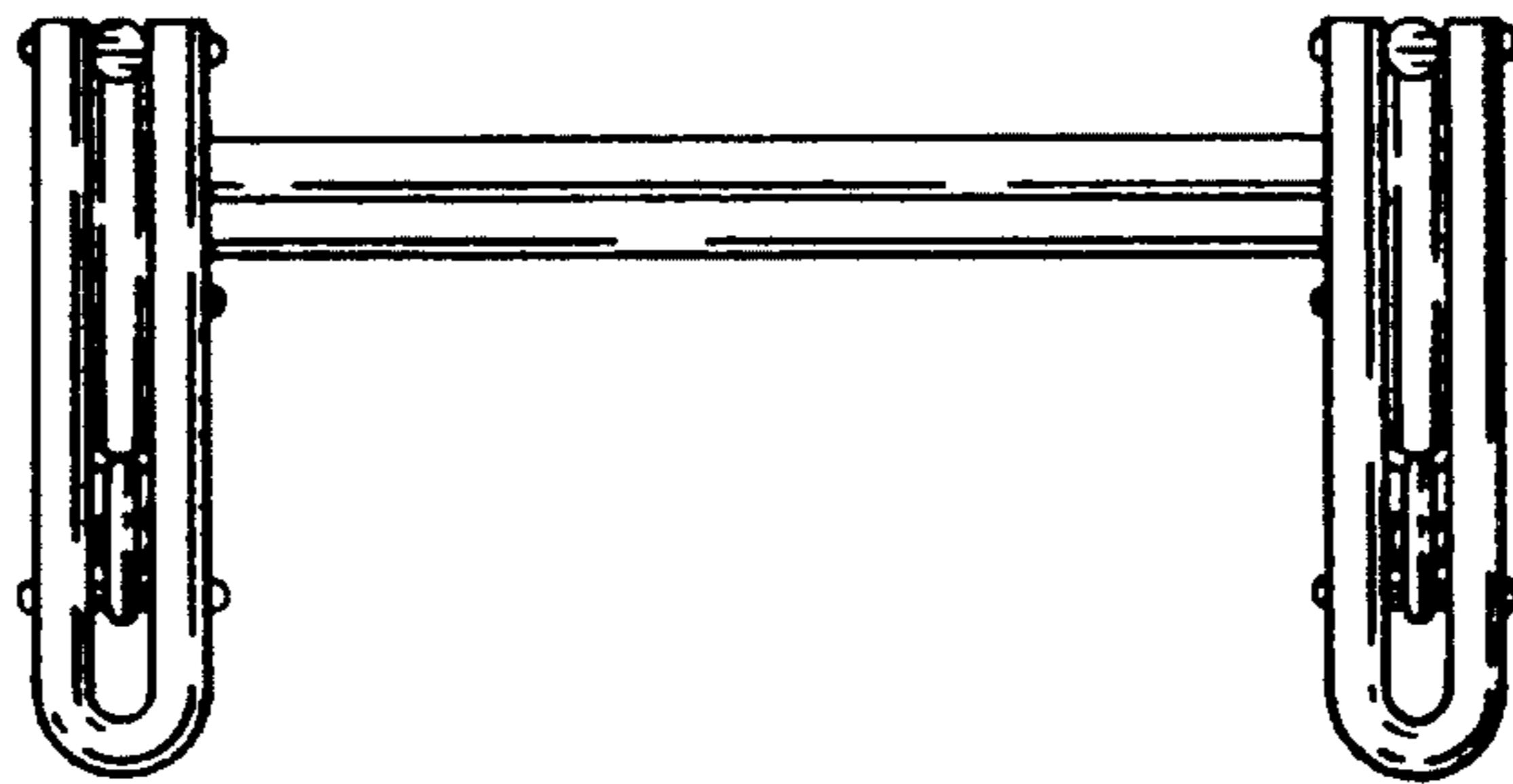


FIG. 5

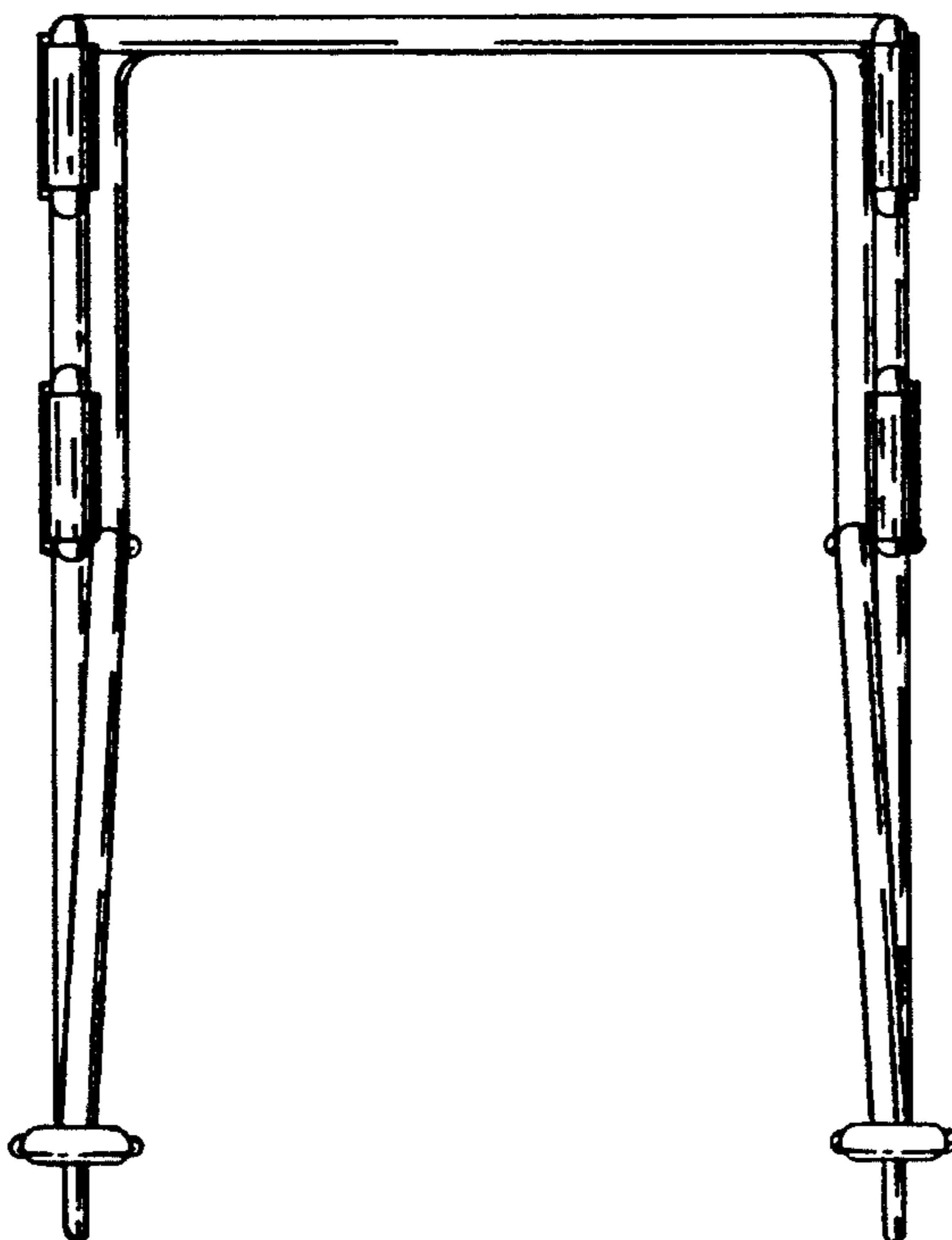


FIG. 6