



US00D351883S

United States Patent [19]

[11] Patent Number: **Des. 351,883**

Solheim et al.

[45] Date of Patent: **** Oct. 25, 1994**

[54] WOOD TYPE GOLF CLUB HEAD

[75] Inventors: **John A. Solheim**, Phoenix; **Anthony D. Serrano**, Glendale, both of Ariz.

[73] Assignee: **Karsten Manufacturing Corporation**, Phoenix, Ariz.

[**] Term: **14 Years**

[21] Appl. No.: **3,254**

[22] Filed: **Jan. 4, 1993**

[52] U.S. Cl. **D21/214**

[58] Field of Search **273/167-175; D21/214**

[56] References Cited

U.S. PATENT DOCUMENTS

- D. 229,431 11/1973 Baker D34/5
- D. 241,956 10/1976 Timbrook D34/5
- D. 253,778 12/1979 Madison D21/214
- D. 262,049 11/1981 Simmons D21/214
- D. 285,954 9/1986 Hasegawa D21/214
- D. 307,783 5/1990 Inuma D21/214
- D. 310,254 8/1990 Take et al. D21/214
- 1,595,589 8/1926 Tyler D21/214

FOREIGN PATENT DOCUMENTS

- 261859 9/1962 Australia 273/174

OTHER PUBLICATIONS

Austad's 1988 Spring Cat., p. 5, middle right, Spalding Executive wood.

Primary Examiner—Melvin B. Feifer
Attorney, Agent, or Firm—Herbert E. Haynes, Jr.; Darrell F. Marquette

[57] CLAIM

The ornamental design for a wood type golf club head, as shown and described.

DESCRIPTION

FIG. 1 is a perspective view of a wood type golf club head embodying my new design;

FIG. 2 is an end elevational view of the wood type golf club shown in FIG. 1;

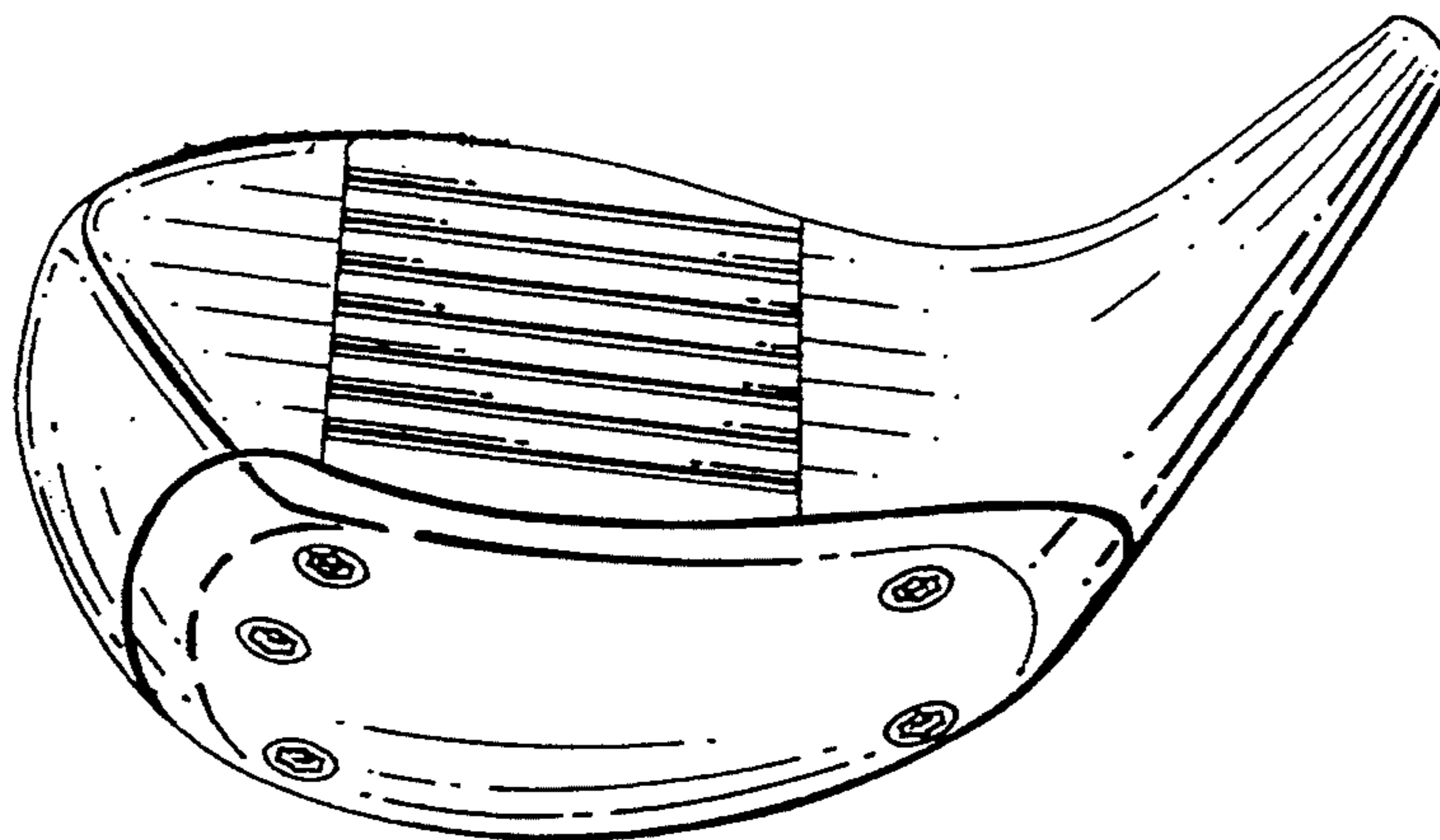
FIG. 3 is another end elevational view of the wood type golf club head shown in FIG. 1;

FIG. 4 is a front elevational view of the wood type golf club head shown in FIG. 1;

FIG. 5 is a rear elevational view of the wood type golf club head shown in FIG. 1;

FIG. 6 is a top plan view of the wood type golf club head shown in FIG. 1; and,

FIG. 7 is a bottom view of the wood type golf club head shown in FIG. 1.



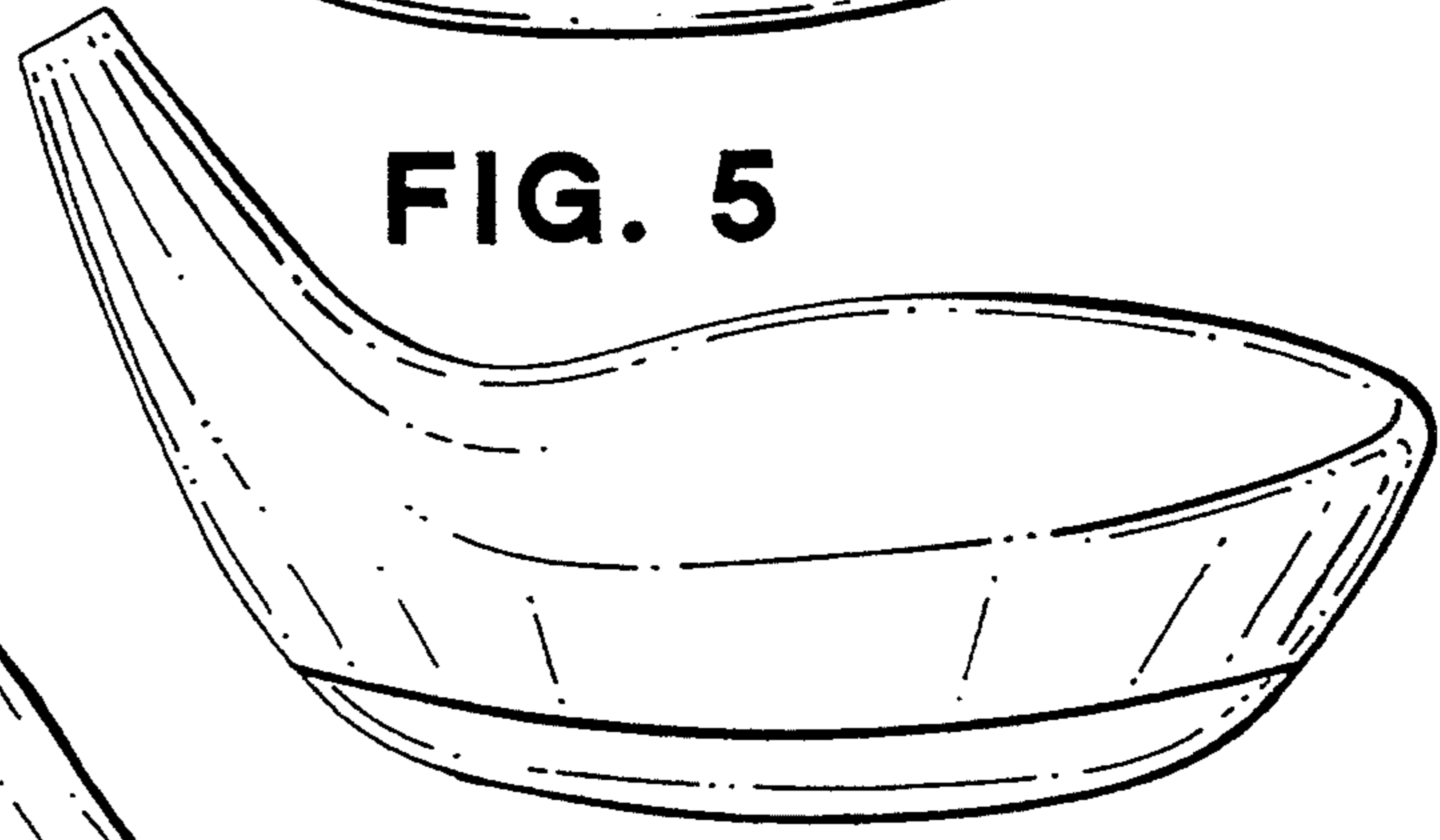
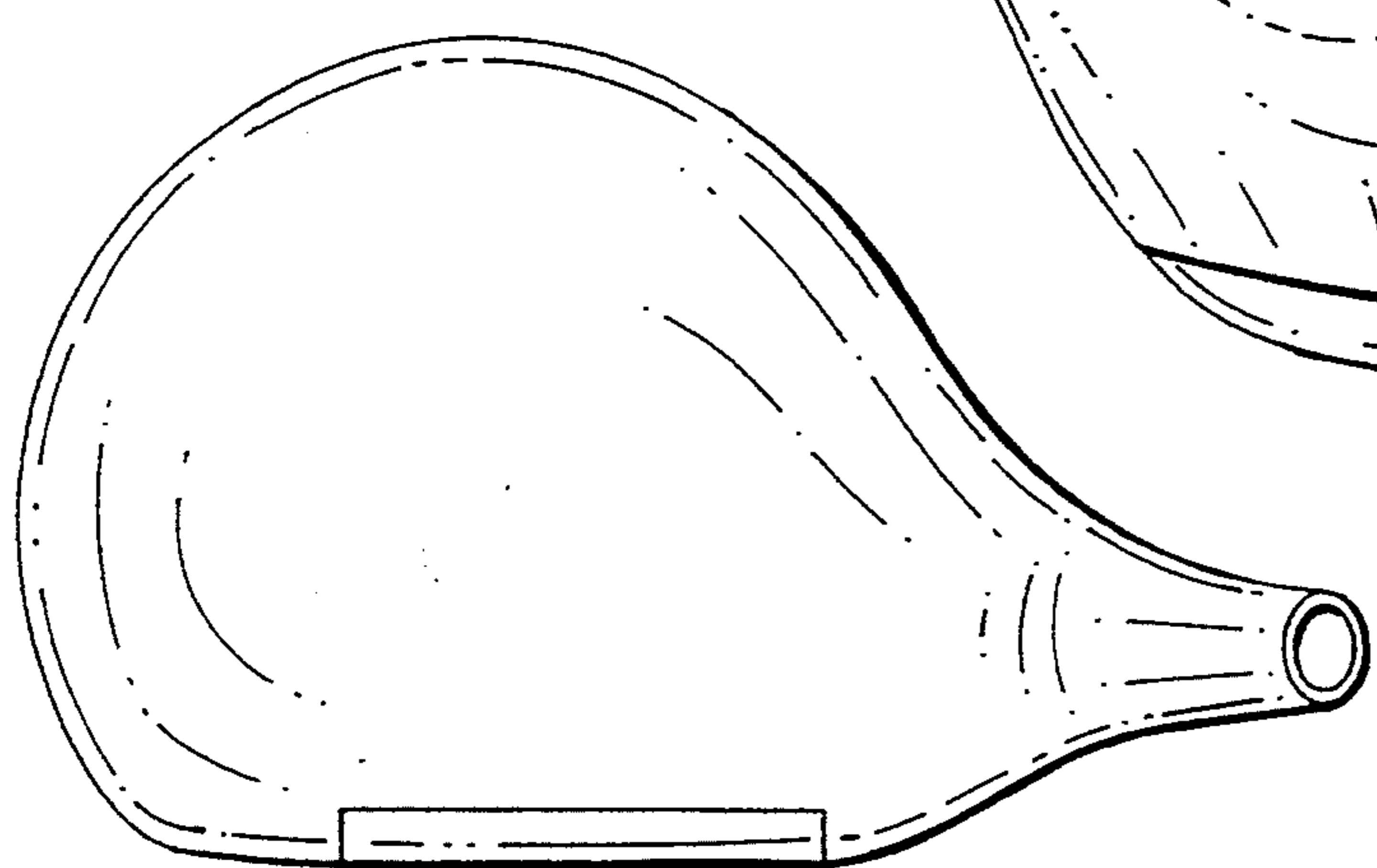
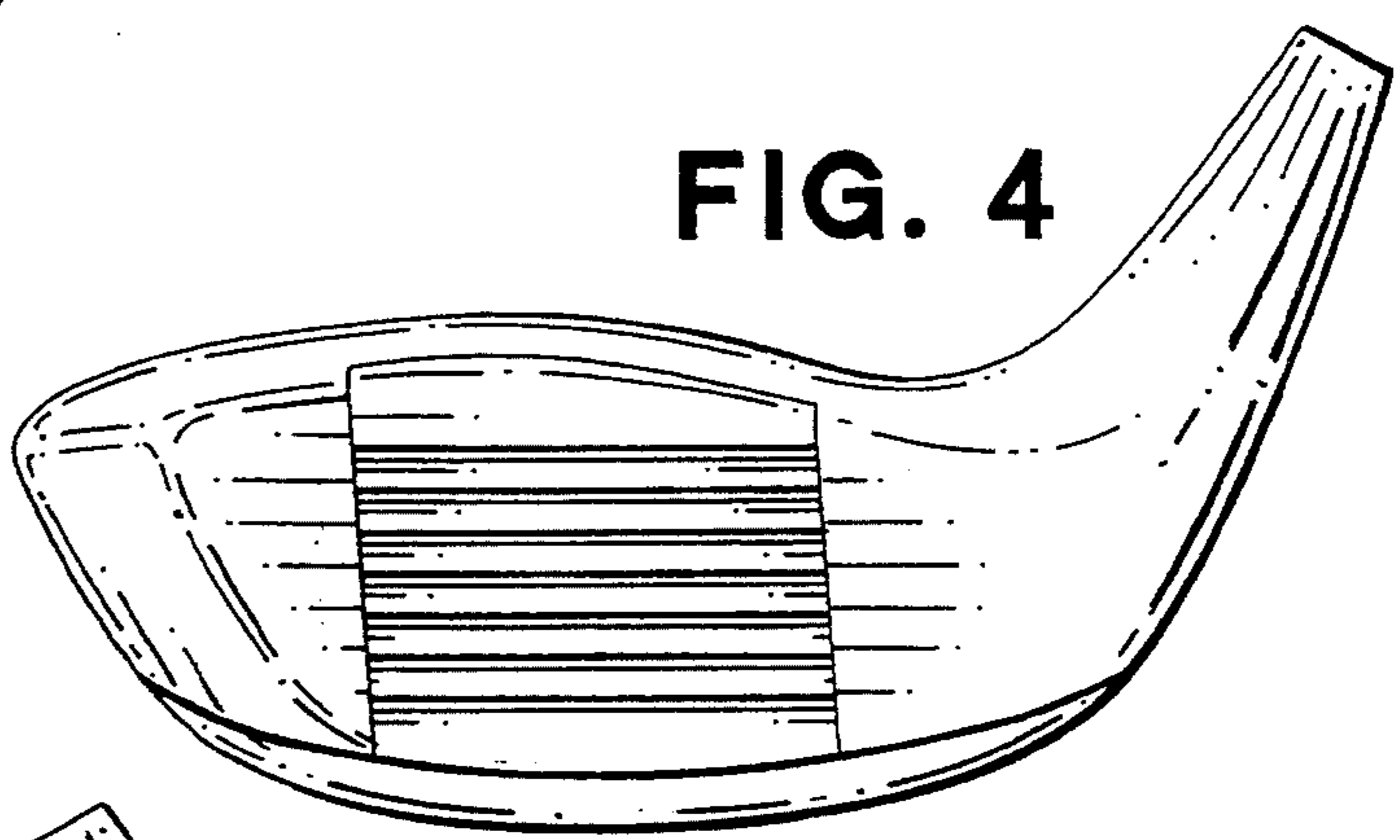
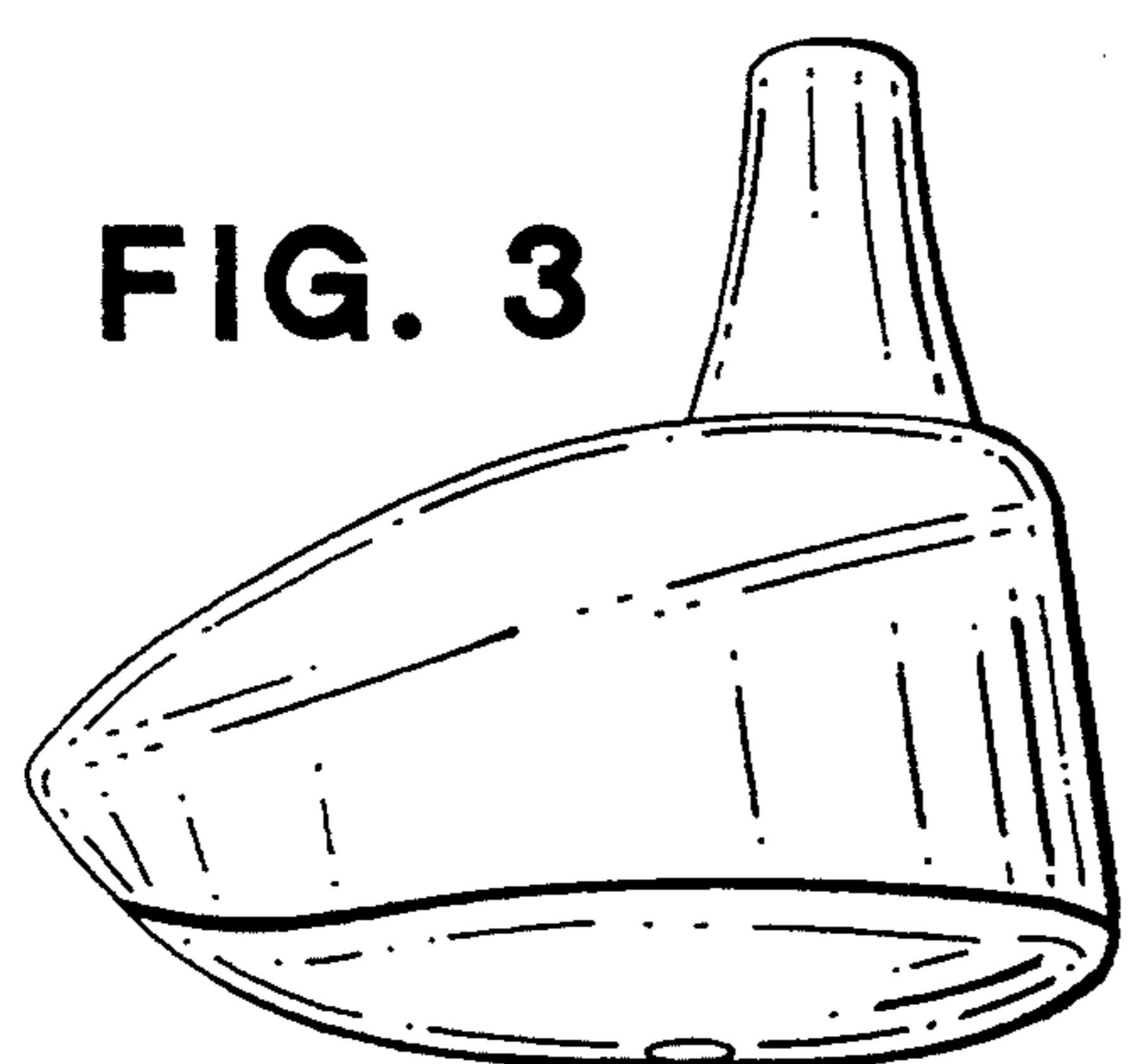
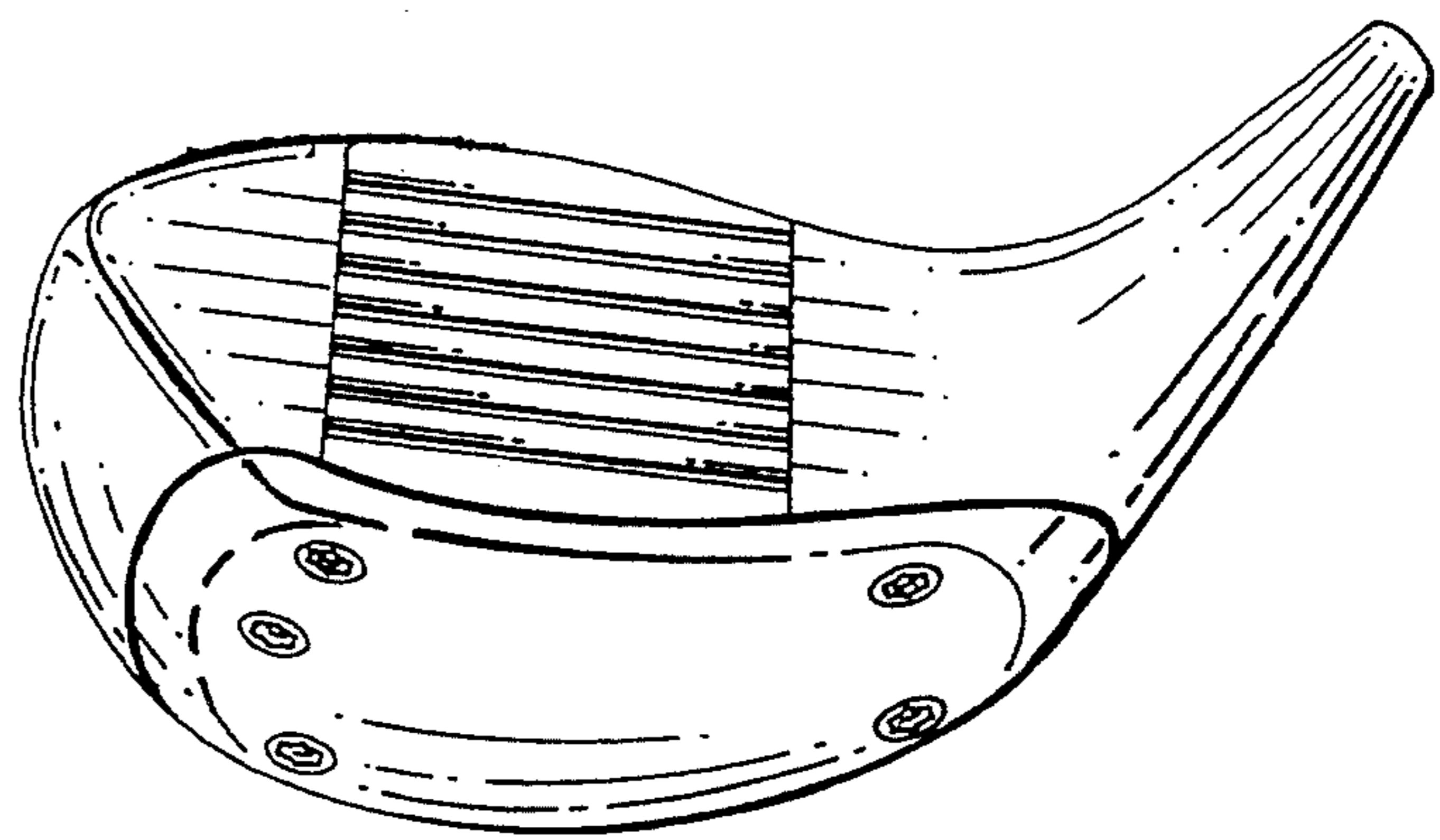
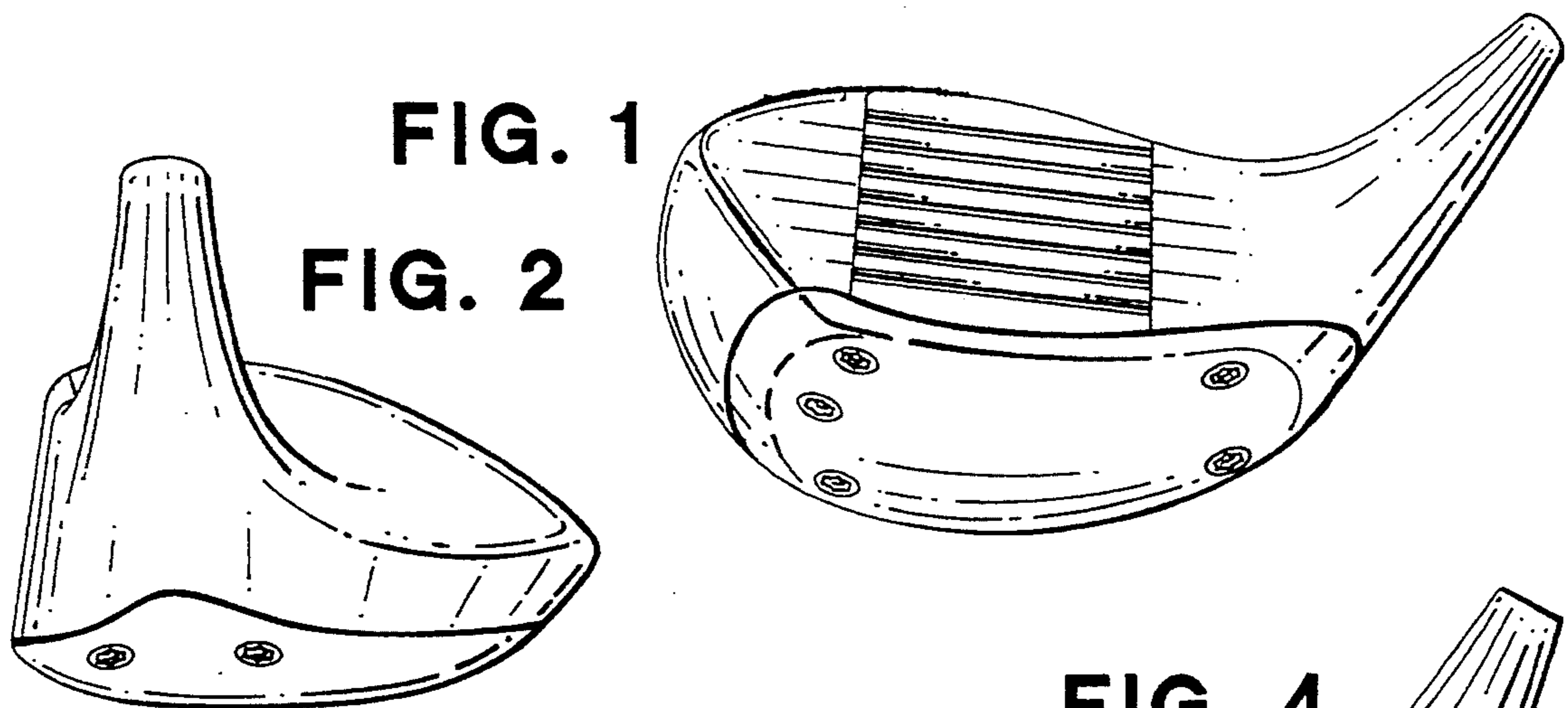


FIG. 6

FIG. 7