



US00D351881S

United States Patent [19]

[11] Patent Number: **Des. 351,881**

Taylor et al.

[45] Date of Patent: **** Oct. 25, 1994**

[54] **BASE FOR A BASKETBALL GOAL**

[76] Inventors: **Kelly Taylor**, 91 W. 1100 N., Layton, Utah 84040; **Barry D. Mower**, 3310 E. Twin Peaks Dr., Layton, Utah 84040; **Lonny R. Matherne**, #10 Chimes Cir., Ogden, Utah 84405

[**] Term: **14 Years**

[21] Appl. No.: **11,296**

[22] Filed: **Jul. 30, 1993**

[52] U.S. Cl. **D21/201**

[58] Field of Search 273/1.5 R, 1.5 A; 248/910, 519, 524, 230, 161, 346; D21/201, 59

3,027,061 3/1962 Locke 229/16
3,094,303 6/1963 Belger 248/40
3,161,395 12/1964 Carter 248/354
3,184,207 5/1965 Hermanns et al. 248/413

(List continued on next page.)

FOREIGN PATENT DOCUMENTS

1012572 7/1957 Fed. Rep. of Germany .
2257389 6/1974 Fed. Rep. of Germany .
544020 9/1922 France .
755442 11/1933 France .
261156 5/1970 U.S.S.R. .
908055 10/1962 United Kingdom .
1152846 5/1969 United Kingdom A63B 63/04

OTHER PUBLICATIONS

Best Catalog, 1988/1989, p. 318, "All Star Basketball Set".
Best Catalog, 1989/1990, p. 315, "Dunk-It Basketball Set" and Fisher-Price Set.
Huffy Sports, "A World Full of Family Fun", Product Brochure.
Huffy Sports, "7H20A INSTA H₂OOP", Products Brochure.
Huffy Sports, "Slam Jam", Product Brochure.
Lifetime Products, Inc., "HoopMobile Model 7100", Product Brochure.

(List continued on next page.)

Primary Examiner—Melvin B. Feifer
Assistant Examiner—Cheri Cohen
Attorney, Agent, or Firm—Madson & Metcalf

[57] **CLAIM**

The ornamental design for a base for a basketball goal, as shown and described.

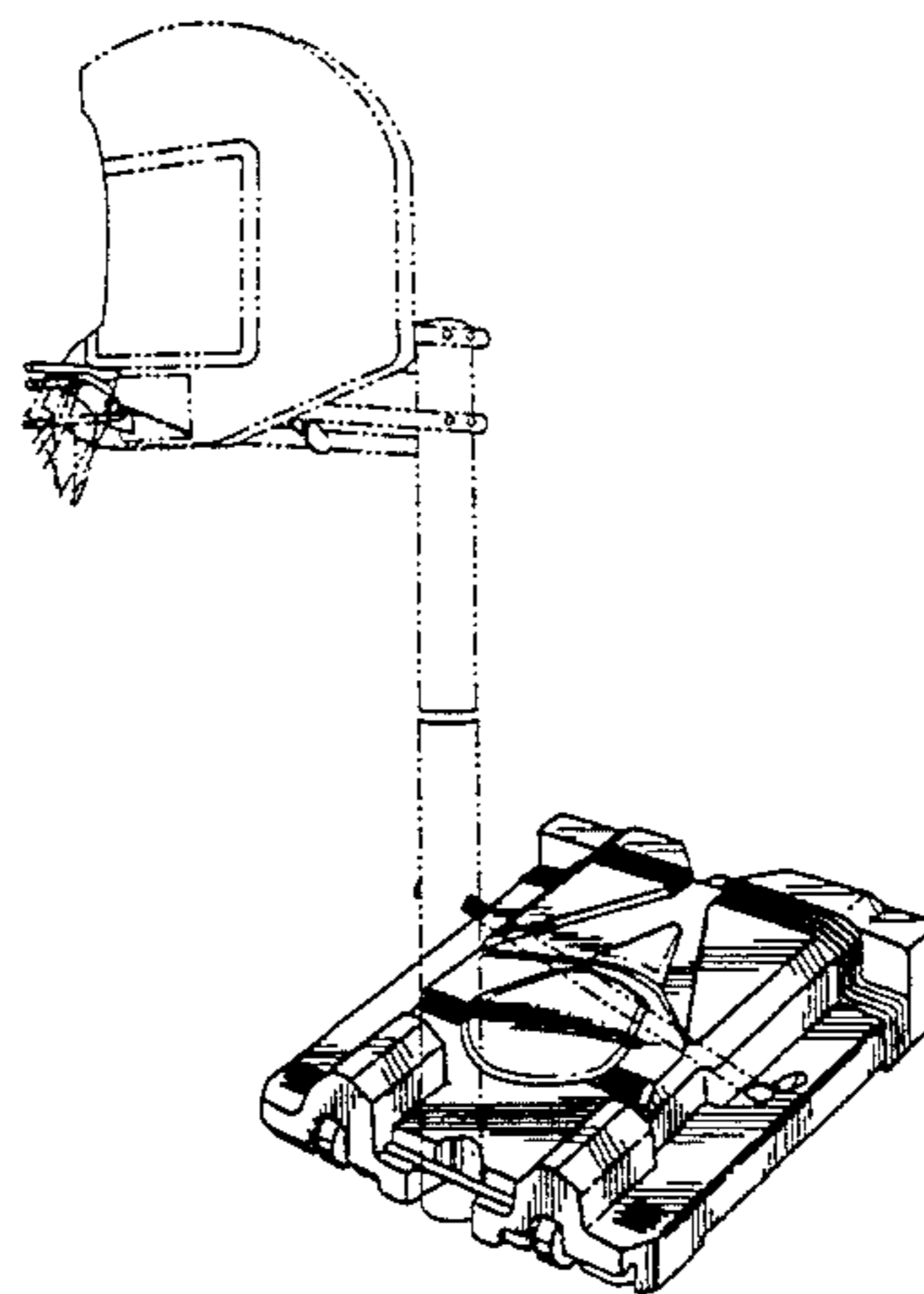
DESCRIPTION

FIG. 1 is a perspective view of a base for a basketball goal showing our new design;
FIG. 2 is a top plan view thereof;
FIG. 3 is a side elevation view thereof;
FIG. 4 is a front elevation view thereof;
FIG. 5 is a rear elevation view thereof; and,
FIG. 6 is a bottom plan view thereof.
The broken lines are for illustrative purposes only and form no part of the claimed design.

[56] **References Cited**

U.S. PATENT DOCUMENTS

D. 213,209 1/1969 Zielinski 273/1.5 R X
D. 235,897 7/1975 Breneman D21/201 X
D. 324,925 3/1992 Locklear et al. D21/201 X
169,181 10/1875 Leonard .
193,015 7/1877 McCarthy .
419,137 1/1890 Bobemerith .
589,261 8/1897 Koch et al. .
650,211 5/1900 Wirth .
1,090,291 3/1914 Engelhart .
1,310,323 7/1919 Centolella .
1,504,292 8/1924 Wickes .
1,667,887 5/1928 Fallert .
1,669,169 5/1928 Moss .
1,906,622 5/1933 Kondolf .
1,924,811 8/1933 Schultz 273/1.5
1,926,674 9/1933 Gross 273/1
2,227,310 12/1940 Hoppes et al. 273/1.5
2,230,813 2/1941 Pressman 273/1.5
2,457,908 1/1949 Meyerhoefer 285/163
2,500,720 3/1950 van der Heem 285/161
2,519,466 8/1950 Hauser 45/137
2,534,067 12/1950 Rubin 273/1.5
2,594,628 4/1952 Evans 229/6
2,757,888 8/1956 Branstrator 248/4
2,791,363 5/1957 Boeye 229/16
2,818,254 12/1957 Dunn 273/1.5
2,865,133 12/1958 Hoven et al. 45/137
2,898,065 8/1959 Ackley 248/40
2,930,559 3/1960 Lohr 248/44
3,017,183 1/1962 Chalcroft 273/1.5
3,025,058 3/1962 Brumfield 273/1.5



U.S. PATENT DOCUMENTS

3,194,555	7/1965	Humphrey	273/1.5	5,066,006	11/1991	Driska	273/1.5 R
3,376,068	4/1968	Walkinshaw	297/437	5,082,261	1/1992	Pelfrey	273/1.5 R
3,399,889	8/1968	Harry	273/1.5	5,098,092	3/1992	Aakre et al.	273/1.5 R
3,427,025	2/1969	Procter	273/1.5	5,102,128	4/1992	Geise	273/1.5 R
3,469,870	9/1969	Barkus	287/58	5,112,023	5/1992	Sowers	248/519
3,497,057	2/1970	Traner et al.	206/44.11	5,158,281	10/1992	Williams	273/1.5 R
3,614,143	10/1971	Stevens	287/126	5,163,676	11/1992	Taub	273/1.5 R
3,697,103	10/1972	Mostyn	287/58 CT	5,165,656	11/1992	Schlessman et al.	220/304
3,716,234	2/1973	Lancellotti	273/1.5 R	5,191,852	5/1993	Rupp	114/255
3,731,897	5/1973	Price	248/230	5,207,407	5/1993	Fitzsimmons et al.	248/910 X
3,780,933	12/1973	Freeman	229/40	5,248,140	9/1993	Matherne et al.	248/910 X
3,788,642	1/1974	Matras et al.	273/1.5 R	5,259,612	11/1993	Matherne et al.	248/910 X
3,795,396	3/1974	Kropelnitski	272/59 C				
3,802,702	4/1974	Pulley	273/1.5 R				
3,820,784	6/1974	Boitano et al.	273/1.5 R				
3,830,008	8/1974	Johnson	43/18 R				
3,841,631	10/1974	Dolan	273/1.5 R				
3,854,168	12/1974	Bradley	17/44.2				
3,880,392	4/1975	Duganich	248/324				
3,896,987	7/1975	Soja	229/33				
3,900,194	8/1975	Ward et al.	272/1 B				
3,918,711	11/1975	Zak	273/29 A				
3,929,225	12/1975	Locke et al.	206/335				
3,936,206	2/1976	Meisberger	403/334				
3,949,932	4/1976	Shore	229/40				
4,009,779	3/1977	Frye	206/315 R				
4,009,780	3/1977	Frye	206/315 R				
4,017,998	4/1977	Dumler	43/21.2				
4,061,367	12/1977	Moebius	285/382.2				
4,114,764	9/1978	Rich	211/100				
4,145,044	3/1979	Wilson et al.	273/1.5 R				
4,151,989	5/1979	Dittrich	273/1.5 A				
4,170,297	10/1979	Johnson	206/326				
4,197,778	4/1980	Wharton, Jr.	93/36.01				
4,289,298	9/1981	Kameda	254/8 B				
4,291,885	9/1981	Cohen	273/347				
4,330,101	5/1982	Andersen	248/284				
4,349,105	9/1982	Bradley et al.	206/317				
4,377,283	3/1983	Mahoney	273/1.5 R				
4,412,679	11/1983	Mahoney et al.	273/1.5 R				
4,465,277	8/1984	Dittrich	273/1.5 A				
4,469,224	9/1984	Ritter	206/335				
4,627,146	12/1986	Ward	29/458				
4,653,646	3/1987	Allen et al.	206/579				
4,684,129	8/1987	Andersen et al.	273/1.5 R				
4,735,392	4/1988	Farmer	248/439				
4,747,597	5/1988	Kluczny	273/1.5 R				
4,759,545	7/1988	Grable	273/1.5 R				
4,769,897	9/1988	Moseman	29/525				
4,826,162	5/1989	Allen	273/1.5 R				
4,842,152	6/1989	Donegan	215/294				
4,869,501	9/1989	Anastasakis	273/1.5 R				
4,946,139	8/1990	Tomellini	256/64				
5,014,983	5/1991	Saunders	273/1.5 R				

OTHER PUBLICATIONS

Diversified Products, "Economy Portable Free-Standing Basketball Goal", Owners Manual.

Lifetime Products, Inc., "Quick Court—Portable Basketball System", Product Brochure.

Porter, "Future-Pro—Portable Basketball Units", Product Brochure.

Porter, "Porter '535' Portable—Universal Appeal", Product Brochure.

Porter, "State of the Art Technology", Product Brochure.

Porter, "Fiberglass Backboards", Product Brochure.

Porter, "Graphite Backboards", Product Brochure.

Porter, "Deluxe Graphite/Fiberglass Composite Backboard—The Hottest Product on the Market", Product Brochure.

Porter, "Basketball Poles", Product Brochure.

Porter, "Official Basketball Goals", Product Brochure.

Porter, "Mounting Brackets", Product Brochure.

Porter, "Basketball Nets", Product Brochure.

Porter, "Mini-Boards", Product Brochure.

Huffy Sports, "INSTA H₂OOP Pole System Assembly 48" Backboard and Slam Jam Goal", Assembly Brochure.

Diversified Products, "AquaTite All-In-One", Product Brochure.

Diversified Products, "Ceramic All-In-One", Product Brochure.

Diversified Products, "All-In-One Basketball Set", Product Brochure.

Diversified Products, "Packaging Sequence for 40-0517C", Blue Prints.

Huffy Sports, "Ultra Packs", Product Brochure.

Lifetime Products, Inc., "Quick Court—Portable Basketball System", Instructions.

Lifetime Products, Inc., "Assembly of Quick Adjust Mechanism", Assembly Instructions.

Lifetime Products, Inc., "Accessories for Your Slam Dunk & Slam Dunk Pro System, Product Brochure".

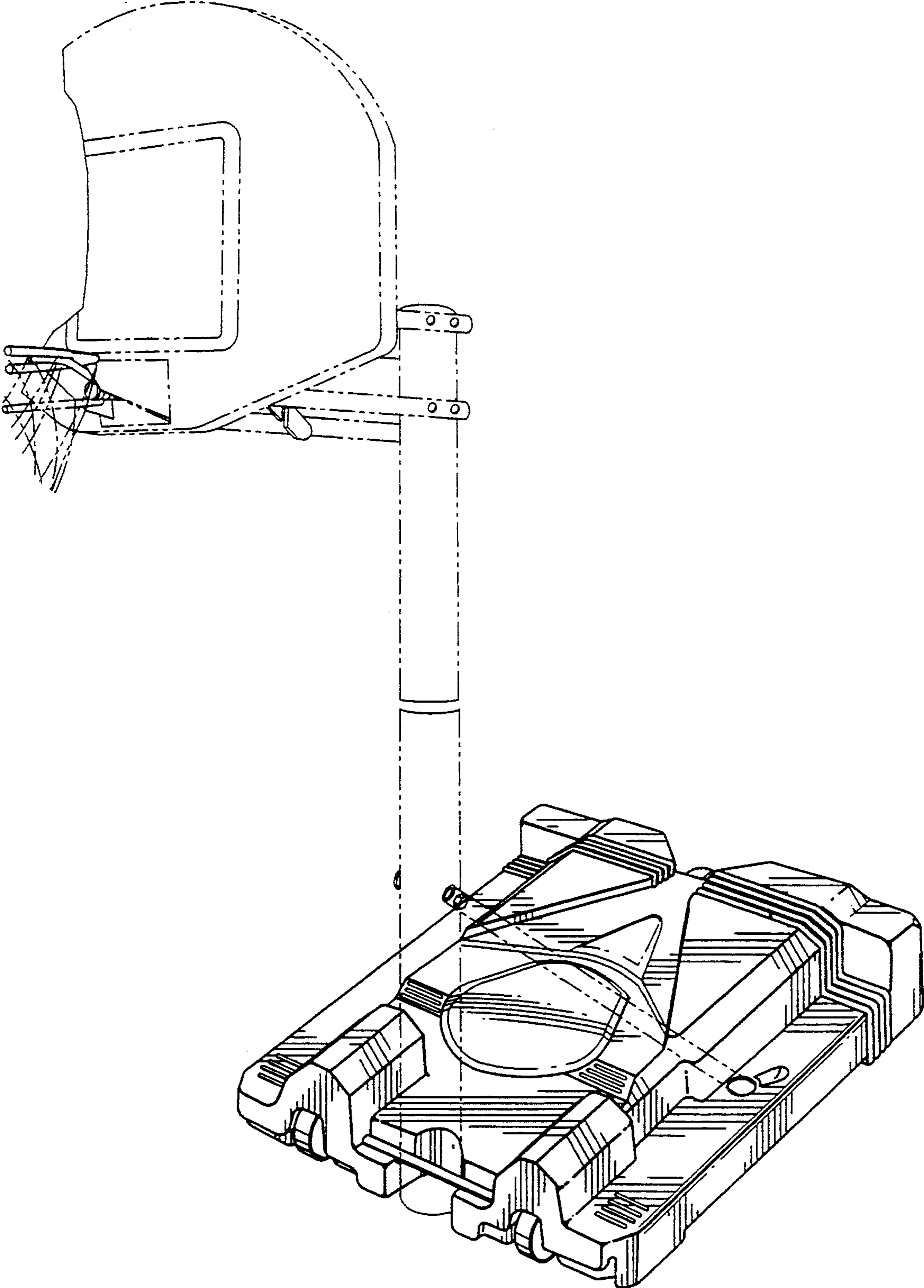


FIG. 1

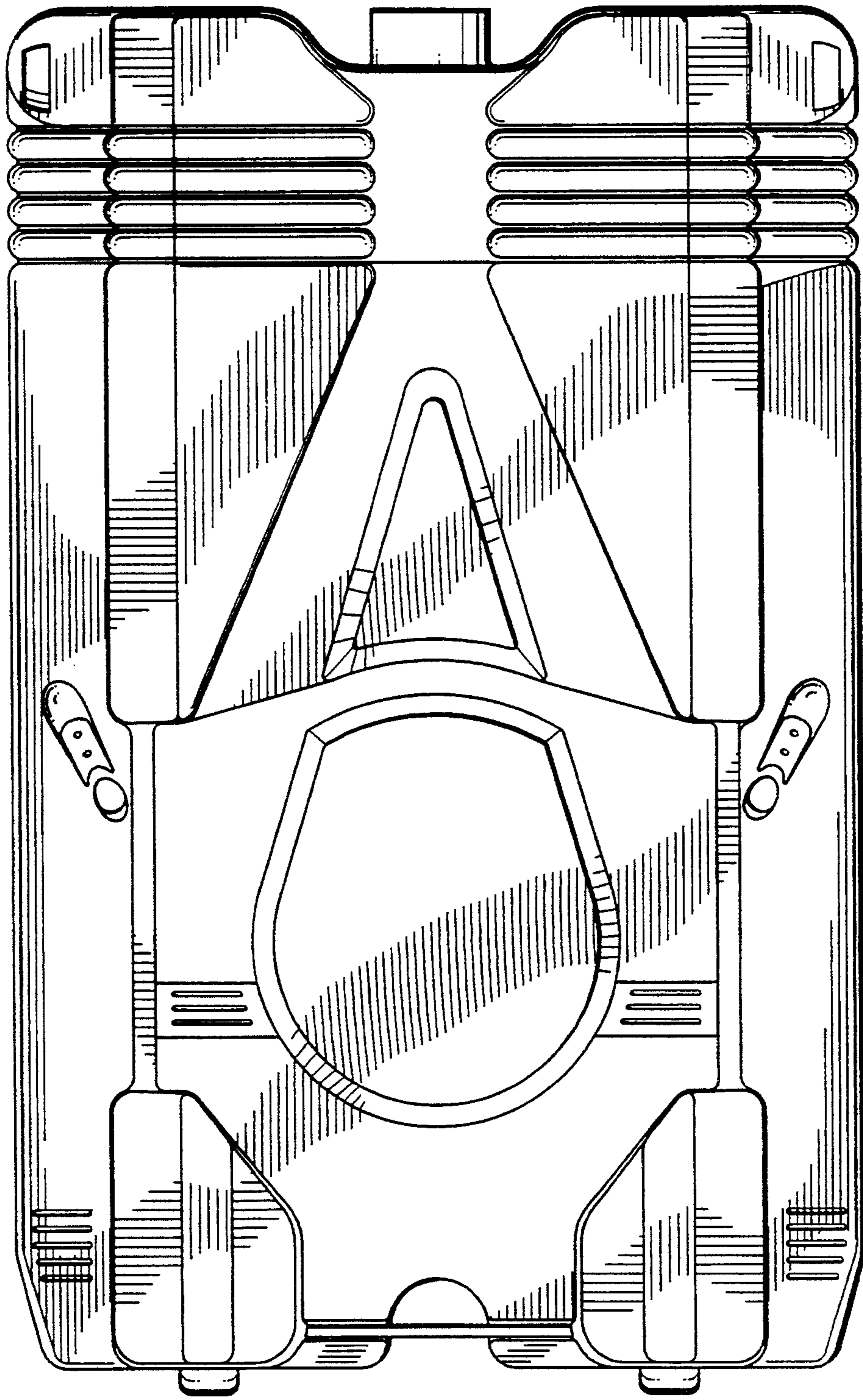


FIG. 2

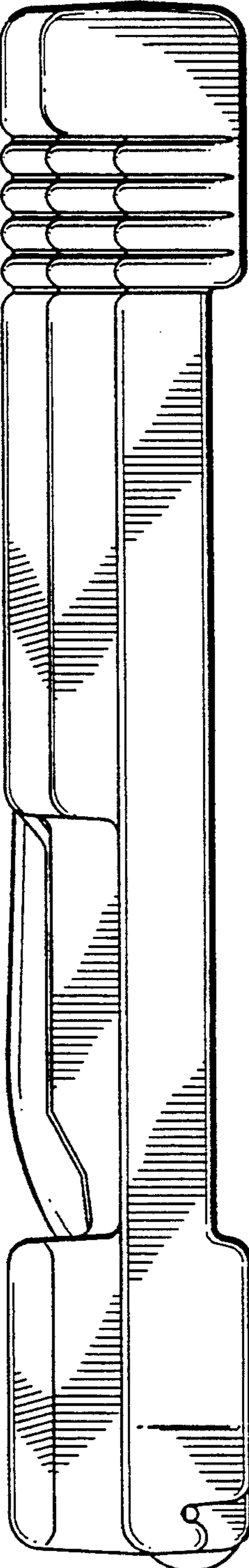


FIG. 3

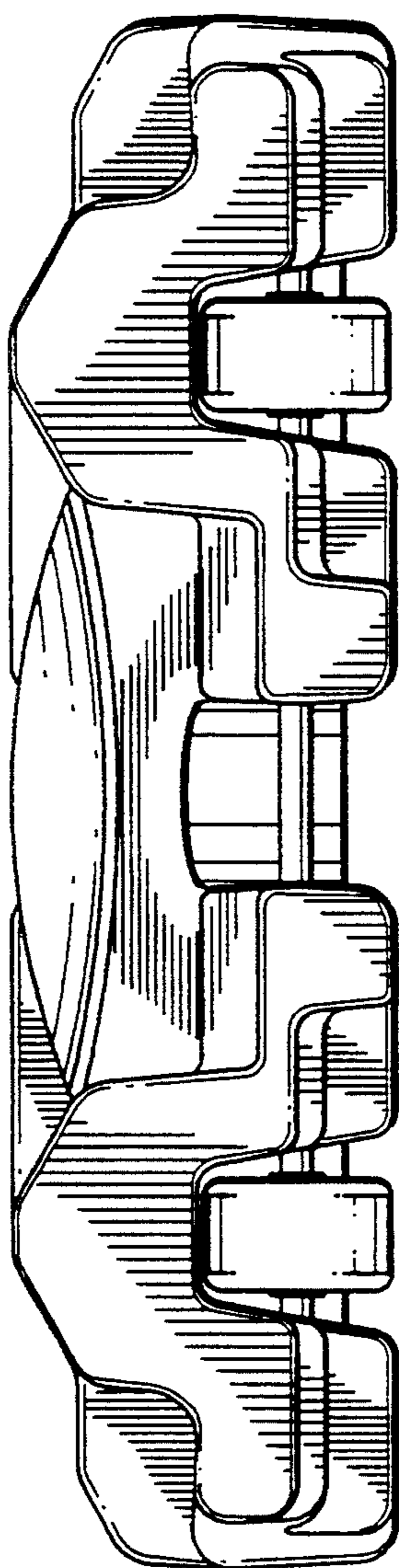


FIG. 4

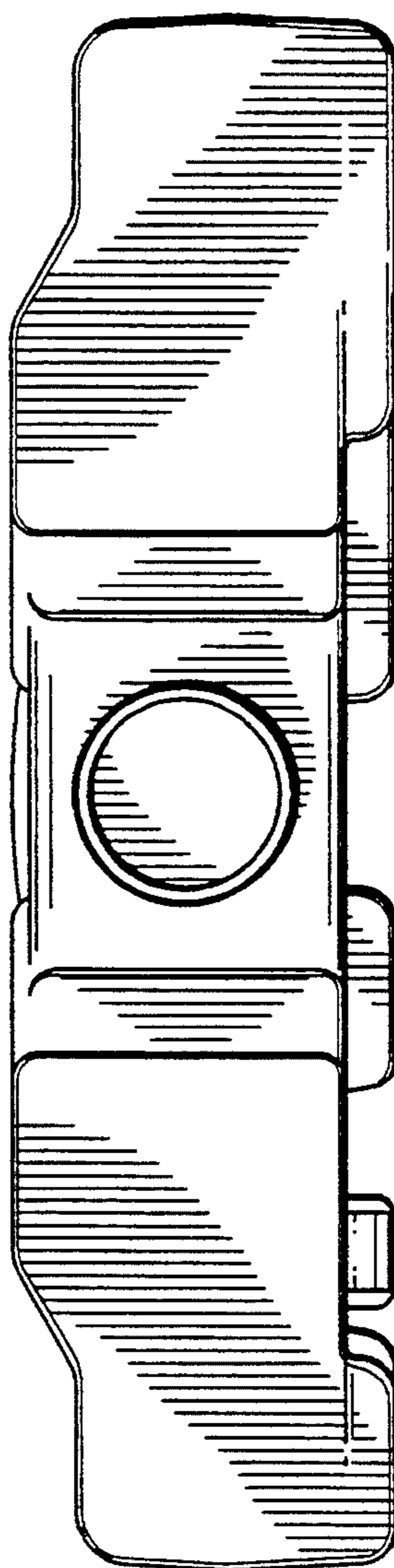


FIG. 5

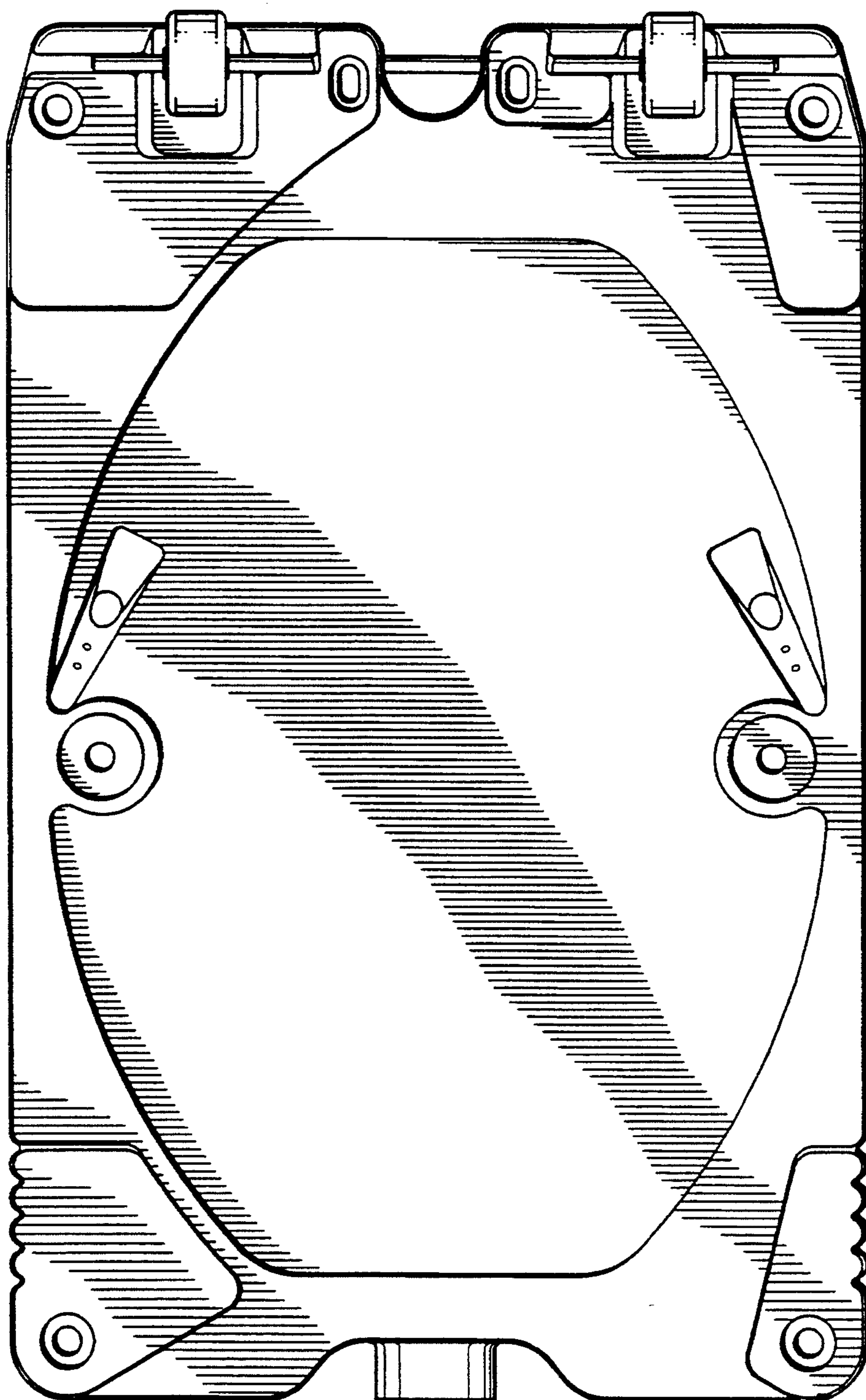


FIG. 6

UNITED STATES PATENT AND TRADEMARK OFFICE
CERTIFICATE OF CORRECTION

PATENT NO. : Des. 351,881

DATED : October 25, 1994

INVENTOR(S) : Kelly Taylor, Barry D. Mower, Lonny R. Matherne

It is certified that error appears in the above-identified patent and that said Letters Patent is hereby corrected as shown below:

On title page, item [76],

Inventor listed as Lonny R. Matherne should be listed as Lonny R. Matherne.

Signed and Sealed this
Twentieth Day of December, 1994

Attest:



BRUCE LEHMAN

Attesting Officer

Commissioner of Patents and Trademarks