



US00D351879S

# United States Patent [19]

[11] Patent Number: Des. 351,879

Matherne et al.

[45] Date of Patent: \*\* Oct. 25, 1994

[54] **BASE FOR A BASKETBALL GOAL**

[76] Inventors: **Lonny R. Matherne**, #10 Chimes Cir., Ogden, Utah 84405; **Barry D. Mower**, 3310 E. Twin Peaks Dr., Layton, Utah 84040; **Kelly Taylor**, 91 W. 1100 North, Layton, Utah 84041

[\*\*] Term: 14 Years

[21] Appl. No.: 11,216

[22] Filed: Jul. 30, 1993

[52] U.S. Cl. .... D21/201

[58] Field of Search ..... 273/1.5 R, 1.5 A; 248/910, 519, 524, 230, 161, 346; D21/201, 59

### [56] References Cited

#### U.S. PATENT DOCUMENTS

D. 213,209	1/1969	Zielinski	273/1.5 R X
D. 235,897	7/1975	Breneman	D21/201 X
D. 324,925	3/1992	Locklear et al.	D21/201 X
D. 353,731	2/1994	Tsumita	D21/59 X
169,181	10/1875	Leonard	.
193,015	7/1877	McCarthy	.
419,137	1/1890	Bobemerith	.
589,261	8/1897	Koch et al.	.
650,211	5/1800	Wirth	.
1,090,291	3/1914	Engelhart	.
1,310,323	7/1919	Centolella	.
1,504,292	8/1924	Wickes	.
1,667,887	5/1928	Fallert	.
1,669,169	5/1928	Moss	.
1,906,622	5/1933	Kondolf	.
1,924,811	8/1933	Schultz	273/1.5
1,926,674	9/1933	Gross	273/1
2,227,310	12/1940	Hoppes et al.	273/1.5
2,230,813	2/1941	Pressman	273/1.5
2,457,098	1/1949	Meyerhoefer	285/163
2,500,720	3/1950	Van Der Heem	285/161
2,519,466	8/1950	Hauser	45/137
2,534,067	12/1950	Rubin	273/1.5
2,594,628	4/1952	Evans	229/6
2,757,888	8/1956	Branstrator	248/4
2,791,363	5/1957	Boeye	229/16
2,818,254	12/1957	Dunn	273/1.5
2,865,133	12/1958	Hoven et al.	45/137
2,898,065	8/1959	Ackley	248/40
2,930,559	3/1960	Lohr	248/44
3,017,183	1/1962	Chalcroft	273/1.5

3,025,058	3/1962	Brumfield	273/1.5
3,027,061	3/1962	Locke	229/16
3,094,303	6/1963	Belger	248/40
3,161,395	12/1964	Carter	248/354
3,184,207	5/1965	Hermanns et al.	248/413
3,194,555	7/1965	Humphrey	273/1.5
3,376,068	4/1968	Walkinshaw	297/437
3,399,889	8/1968	Harry	273/1.5
3,427,025	2/1969	Procter	273/1.5
3,469,870	9/1969	Barkus	287/58
3,497,057	2/1970	Traner et al.	206/44.11
3,614,143	10/1971	Stevens	287/126
3,697,103	10/1972	Mostyn	287/58 CT
3,716,234	2/1973	Lancellotti	273/1.5 R
3,731,897	5/1973	Price	248/230
3,780,933	12/1973	Freeman	229/40
3,788,642	1/1974	Matras et al.	273/1.5 R
3,795,396	3/1974	Kropelnitski	272/59 C
3,802,702	4/1974	Pulley	273/1.5 R

(List continued on next page.)

#### FOREIGN PATENT DOCUMENTS

1012572 7/1957 Fed. Rep. of Germany .

(List continued on next page.)

#### OTHER PUBLICATIONS

Best catalog, 1988/1989, p. 318, "All Star Basketball Set".

(List continued on next page.)

Primary Examiner—Melvin B. Feifer

Assistant Examiner—Cheri Cohen

Attorney, Agent, or Firm—Madson & Metcalf

#### [57] CLAIM

The ornamental design for a base for a basketball goal, as shown and described.

#### DESCRIPTION

FIG. 1 is a perspective view of a base for a basketball goal showing our new design;

FIG. 2 is a side elevation view thereof;

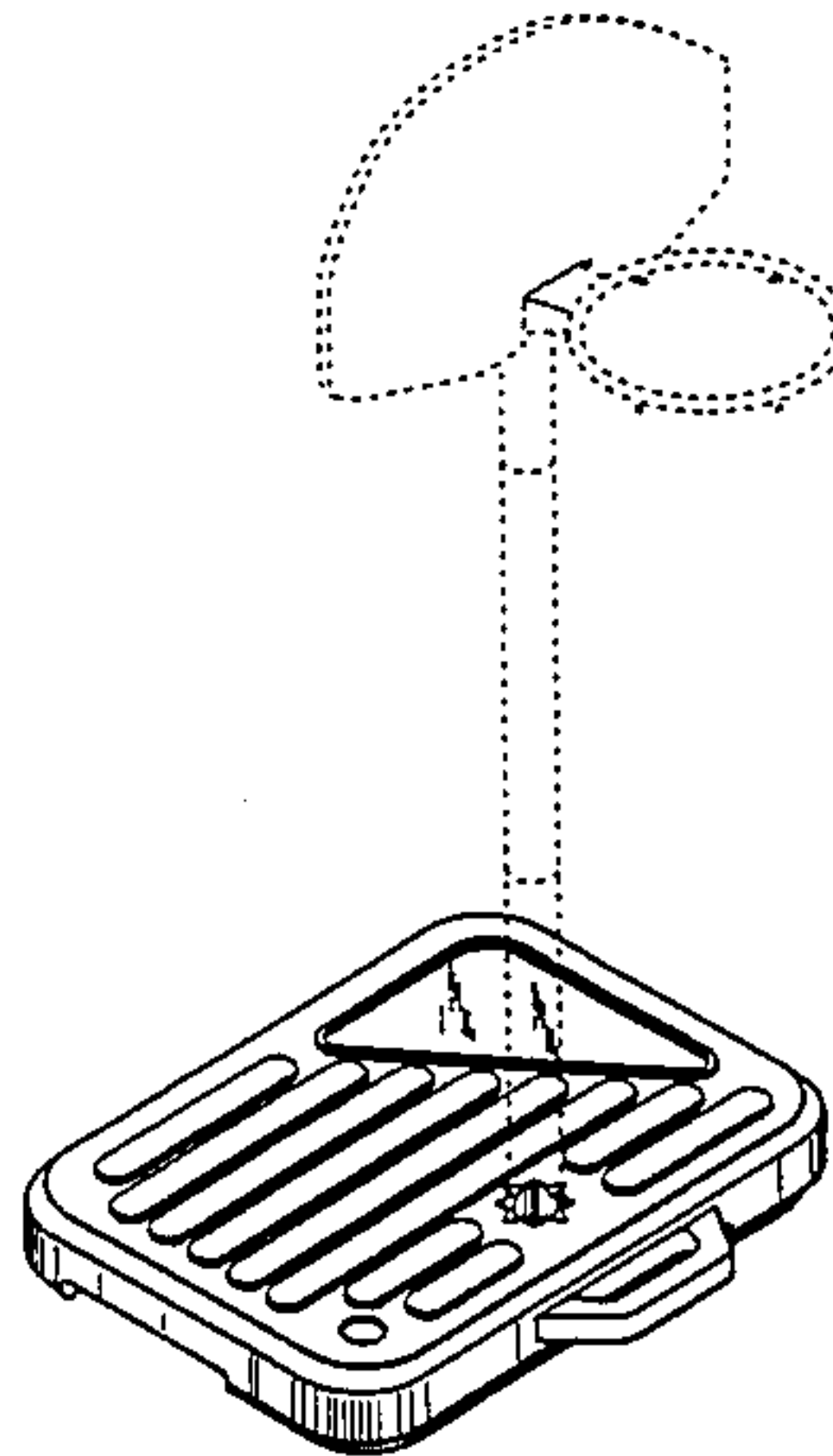
FIG. 3 is a rear elevation view thereof;

FIG. 4 is a front elevation view thereof;

FIG. 5 is a top plan view thereof; and,

FIG. 6 is a bottom plan view thereof.

The broken lines are for illustrative purposes only and form no part of the claimed design.





## U.S. PATENT DOCUMENTS

3,820,784	6/1974	Boitano et al. ....	273/1.5 R
3,830,008	8/1974	Johnson .....	43/18 R
3,841,631	10/1974	Dolan .....	273/1.5 R
3,854,168	12/1974	Bradley 17 .....	17/44.2
3,880,392	4/1975	Duganich .....	248/324
3,896,987	7/1975	Soja .....	229/33
3,900,194	8/1975	Ward et al. ....	272/1 B
3,918,711	11/1975	Zak .....	273/29 A
3,929,225	12/1975	Locke et al. ....	206/335
3,936,206	2/1976	Meisberger .....	403/334
3,949,932	4/1976	Shore .....	229/40
4,009,779	3/1977	Frye .....	206/315 R
4,009,780	3/1977	Frye .....	206/315 R
4,017,998	4/1977	Dumler .....	43/21.2
4,061,367	12/1977	Moebius .....	285/382.2
4,114,764	9/1978	Rich .....	211/100
4,145,044	3/1979	Wilson et al. ....	273/1.5 R
4,151,989	5/1979	Dittrich .....	273/1.5 A
4,170,297	10/1979	Johnson .....	206/326
4,197,778	4/1980	Wharton, Jr. ....	93/36.01
4,289,298	9/1981	Kameda .....	254/8 B
4,291,885	9/1981	Cohen .....	273/347
4,330,101	5/1982	Andersen .....	248/284
4,349,105	9/1982	Bradley et al. ....	206/317
4,377,283	3/1983	Mahoney .....	273/1.5 R
4,412,679	11/1983	Mohoney et al. ....	273/1.5 R
4,465,277	8/1984	Dittrich .....	273/1.5 A
4,469,224	9/1984	Ritter .....	206/335
4,627,146	12/1986	Ward .....	29/458
4,653,646	3/1987	Allen et al. ....	206/579
4,684,129	8/1987	Andersen et al. ....	273/1.5 R
4,735,392	4/1988	Farmer .....	248/439
4,747,597	5/1988	Kluczny .....	273/1.5 R
4,759,545	7/1988	Grable .....	273/1.5 R
4,769,897	9/1988	Moseman .....	29/525
4,826,162	5/1989	Allen .....	273/1.5 R
4,842,152	6/1989	Donegan .....	215/294
4,869,501	9/1989	Anastasakis .....	273/1.5 R
4,946,139	8/1990	Tomellini .....	256/64
5,014,983	5/1991	Saunders .....	273/1.5 R
5,066,006	11/1991	Driska .....	273/1.5 R
5,082,261	1/1992	Pelfrey .....	273/1.5 R
5,098,092	3/1992	Aakre et al. ....	273/1.5 R
5,102,128	4/1992	Geise .....	273/1.5 R
5,112,023	5/1992	Sowers .....	248/519
5,158,281	10/1992	Williams .....	273/1.5 R
5,163,676	11/1992	Taub .....	273/1.5 R
5,165,656	11/1992	Schlessman et al. ....	220/304
5,191,852	5/1993	Rupp .....	114/255
5,207,407	5/1993	Fitzsimmons et al. ....	248/910 X
5,248,140	9/1993	Matherne et al. ....	248/910 X
5,259,612	11/1993	Matherne et al. ....	248/910 X

## FOREIGN PATENT DOCUMENTS

2257389 6/1974 Fed. Rep. of Germany .

544020 9/1922 France .  
 755442 11/1933 France .  
 261156 5/1970 U.S.S.R. .  
 908055 10/1962 United Kingdom .  
 1152846 5/1969 United Kingdom ..... A63B 63/04

## OTHER PUBLICATIONS

Best catalog, 1989/1990, p. 315, "Dunk-It Basket ball Set" and Fisher-Price Set.  
 Huffy Sports, "A World Full of Family Fun," Product Brochure.  
 Huffy Sports, "7H20A INSTA H<sub>2</sub>OOP," Products Brochure.  
 Huffy Sports, "Slam Jam," Product Brochure.  
 Lifetime Products, Inc. "HoopMobile Model 7100," Product Brochure.  
 Diversified Products, "Economy Portable Free-Standing Basketball Goal," Owners Manual.  
 Lifetime Products, Inc., "Quick Court-Portable Basketball System," Product Brochure.  
 Porter, "Future-Pro-Portable Basketball Units," Product Brochure.  
 Porter, "Porter '535' Portable-Universal Appeal," Product Brochure.  
 Porter, "State of the Art Technology," Product Brochure.  
 Porter, "Fiberglass Backboards," Product Brochure.  
 Porter, "Graphite Backboards," Product Brochure.  
 Porter, "Deluxe Graphite/Fiberglass composite Backboard-The Hottest Product on the Market," Product Brochure.  
 Porter, "Basketball Poles," Product Brochure.  
 Porter, "Official Basketball Goals," Product Brochure.  
 Porter, "Mounting Baskets," Product Brochure.  
 Porter, "Basketball Nets," Product Brochure.  
 Porter, "Mini-Boards," product Brochure.  
 Huffy Sports, "INSTA H<sub>2</sub>OOP Pole System Assembly 48" Backboard and Slam Jam Goal," Assembly Brochure.  
 Diversified Products, "AquaTite All-In-One," Product Brochure.  
 Diversified Products, "Ceramic All-In-One," Product Brochure.  
 Diversified Products, "All-In-One Basketball Set," Product Brochure.  
 Diversified Products, "Packaging Sequence for 40-0517C," Blue Prints.  
 Huffy Sports, "Ultra Packs," Product Brochure.  
 Lifetime Products, Inc. "Quick Court-Portable Basketball System," Instructions.  
 Lifetime Products, Inc., "Assembly of Quick Adjust Mechanims," Assembly Instructions.  
 Lifetime Products, Inc., "Accessories for Your Slam Dunk & Slam Dunk Pro System," Product Brochure.

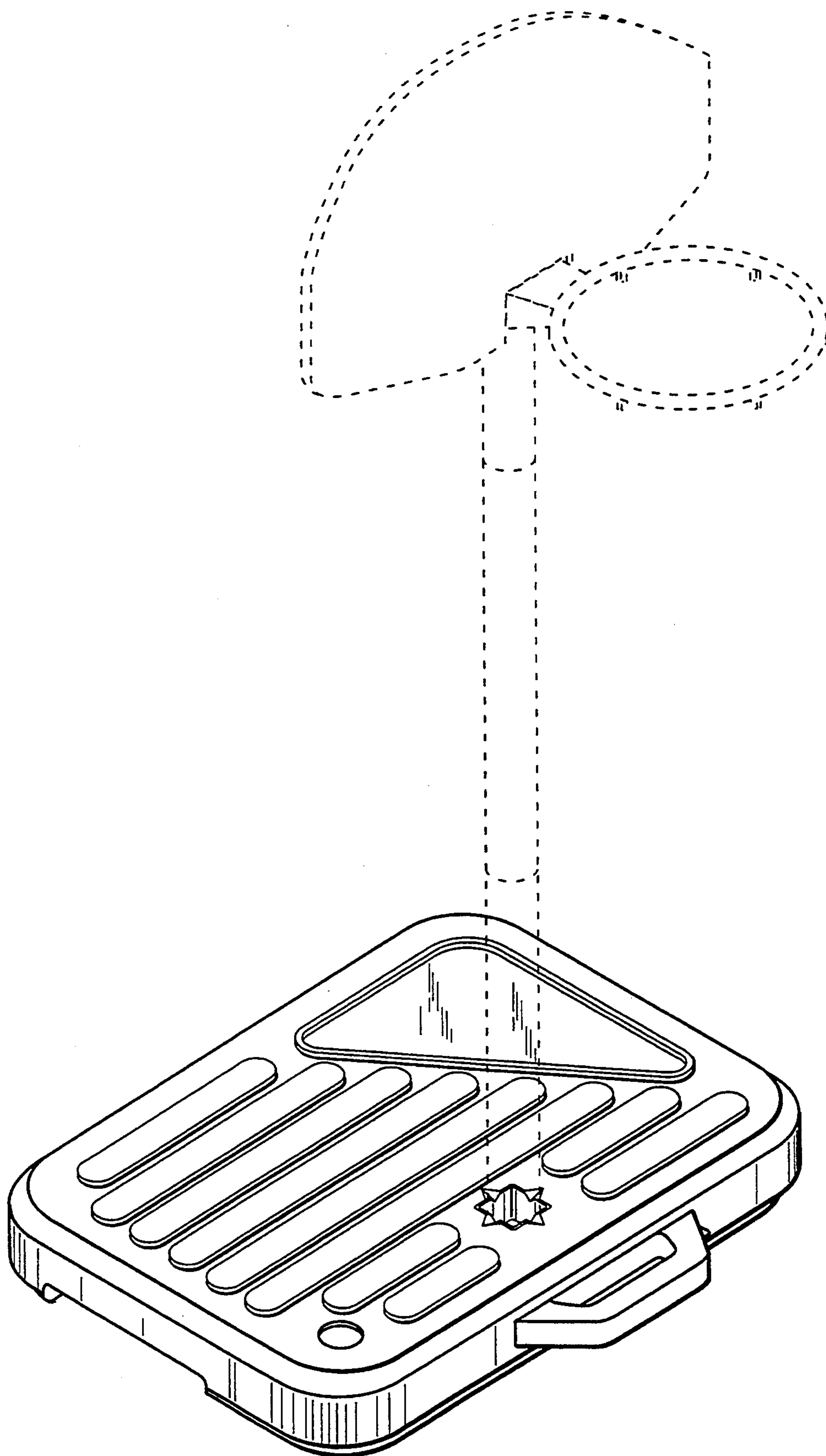


FIG. 1

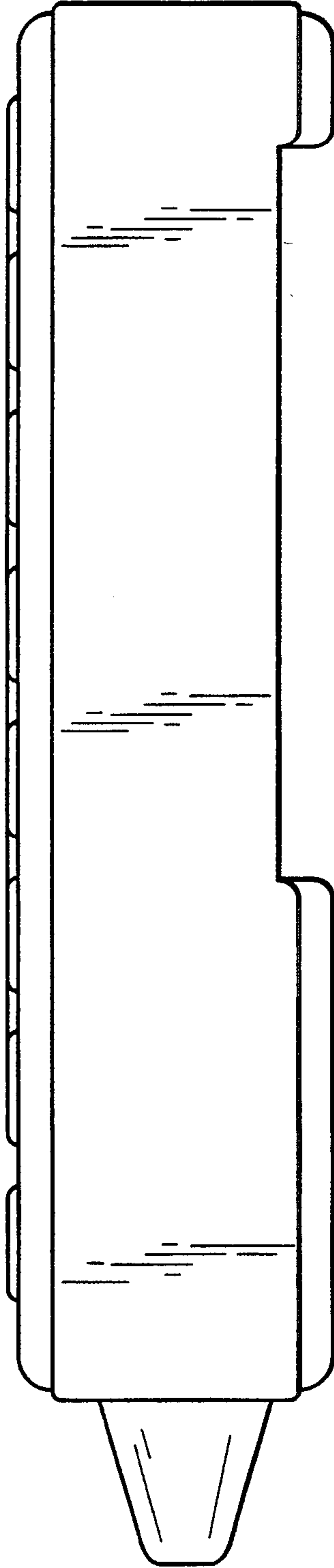


FIG. 2

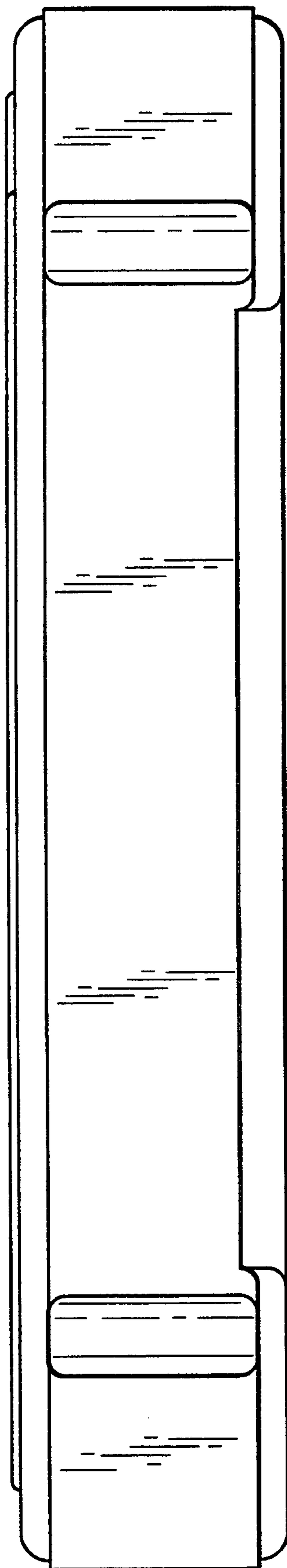
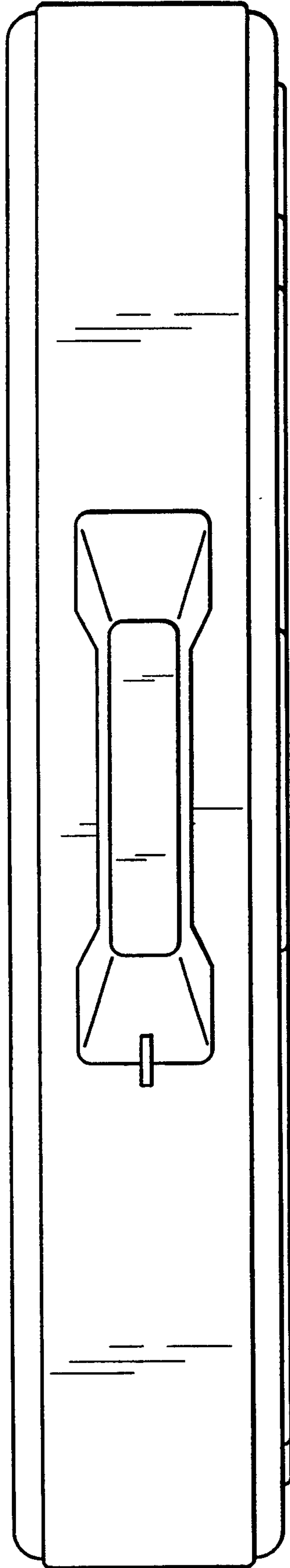


FIG. 3





**FIG. 4**

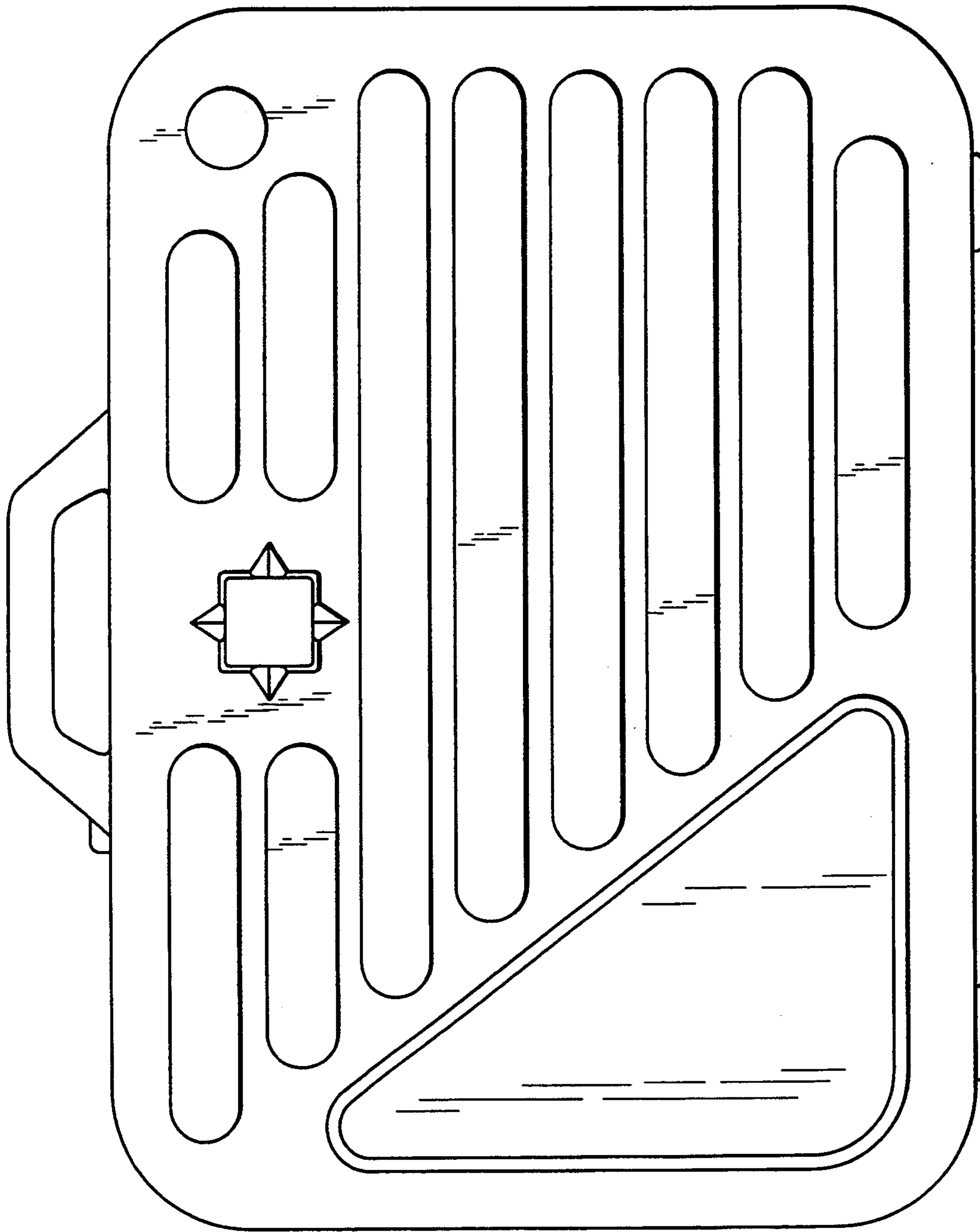


FIG. 5

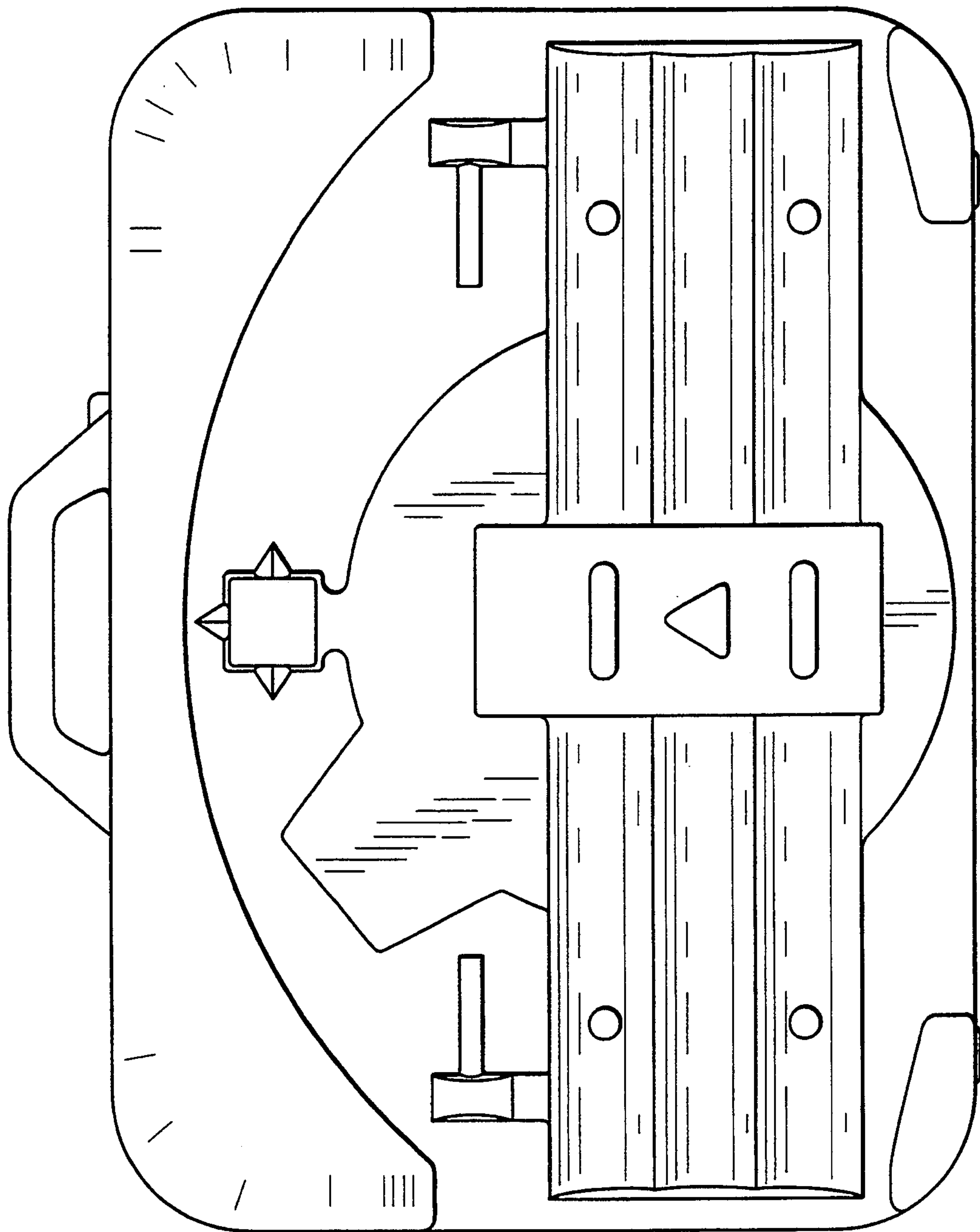


FIG. 6