



US00D351877S

United States Patent [19]

[11] Patent Number: **Des. 351,877**

Locklear

[45] Date of Patent: **** Oct. 25, 1994**

[54] **DRUM MIXER FOR LOTTERY GAME BALLS**

2,221,337	11/1940	West	273/144 A
4,323,240	4/1982	Stewart et al.	273/144 A X
4,999,001	3/1991	Johnson, Jr.	273/144 A X
5,125,659	6/1992	Garbee	273/144 A

[76] Inventor: **L. J. Locklear**, 3315 Oliver Hills Rd., Greensboro, N.C. 27406

Primary Examiner—Terry A. Wallace

[**] Term: **14 Years**

[57] **CLAIM**

[21] Appl. No.: **14,157**

The ornamental design for a drum mixer for lottery game balls, as shown and described.

[22] Filed: **Oct. 14, 1993**

DESCRIPTION

[52] U.S. Cl. **D21/39**

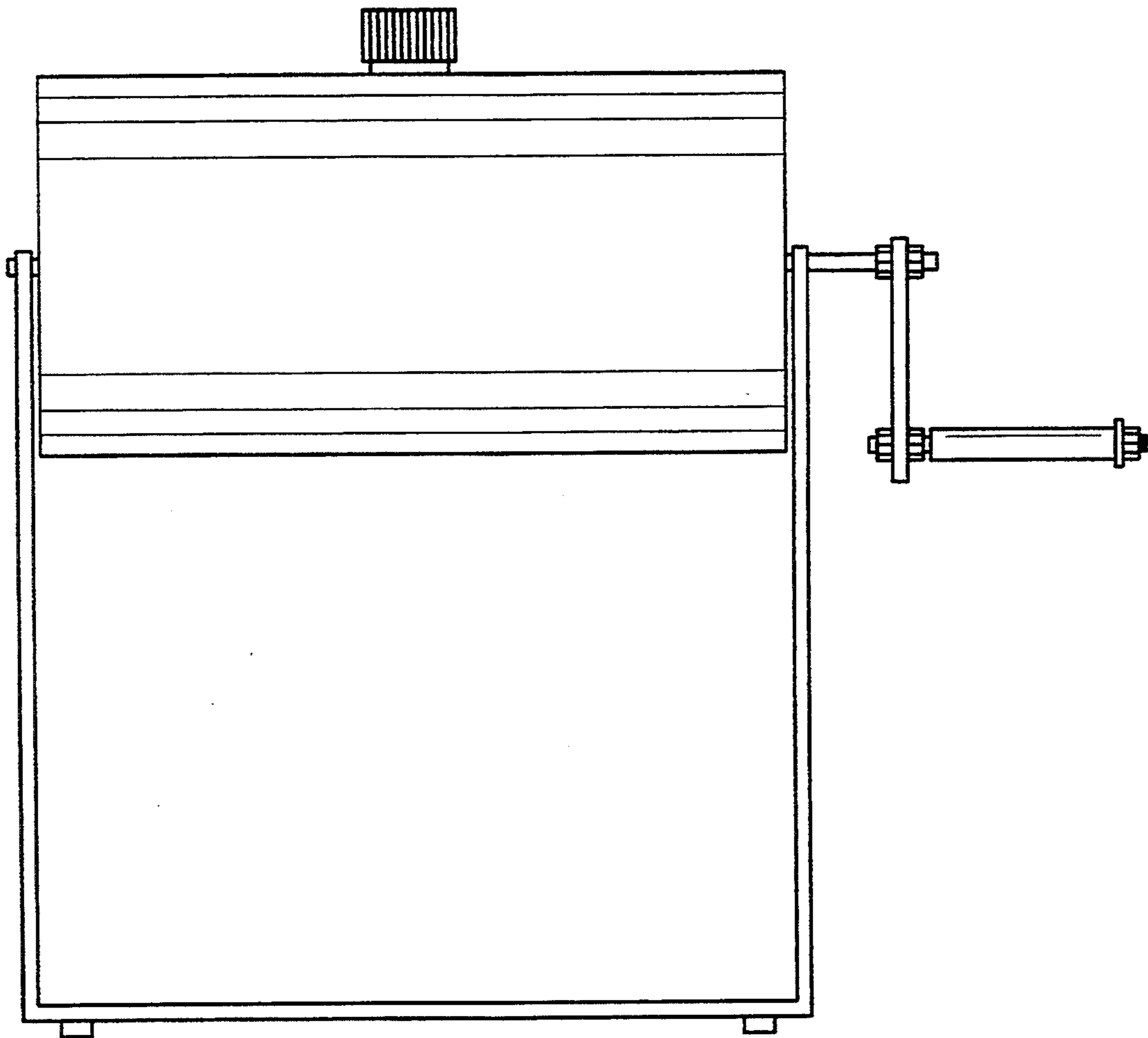
[58] Field of Search 273/144 R, 144 A, 144 B; D21/39

FIG. 1 is a front elevational view of a drum mixer for lottery game balls showing my new design;
 FIG. 2 is a rear elevational view thereof;
 FIG. 3 is a top plan view thereof;
 FIG. 4 is a bottom plan view thereof;
 FIG. 5 is a left side elevational view thereof; and,
 FIG. 6 is a right side elevational view thereof.

[56] **References Cited**

U.S. PATENT DOCUMENTS

2,003,979 6/1935 Skoric 273/144 A



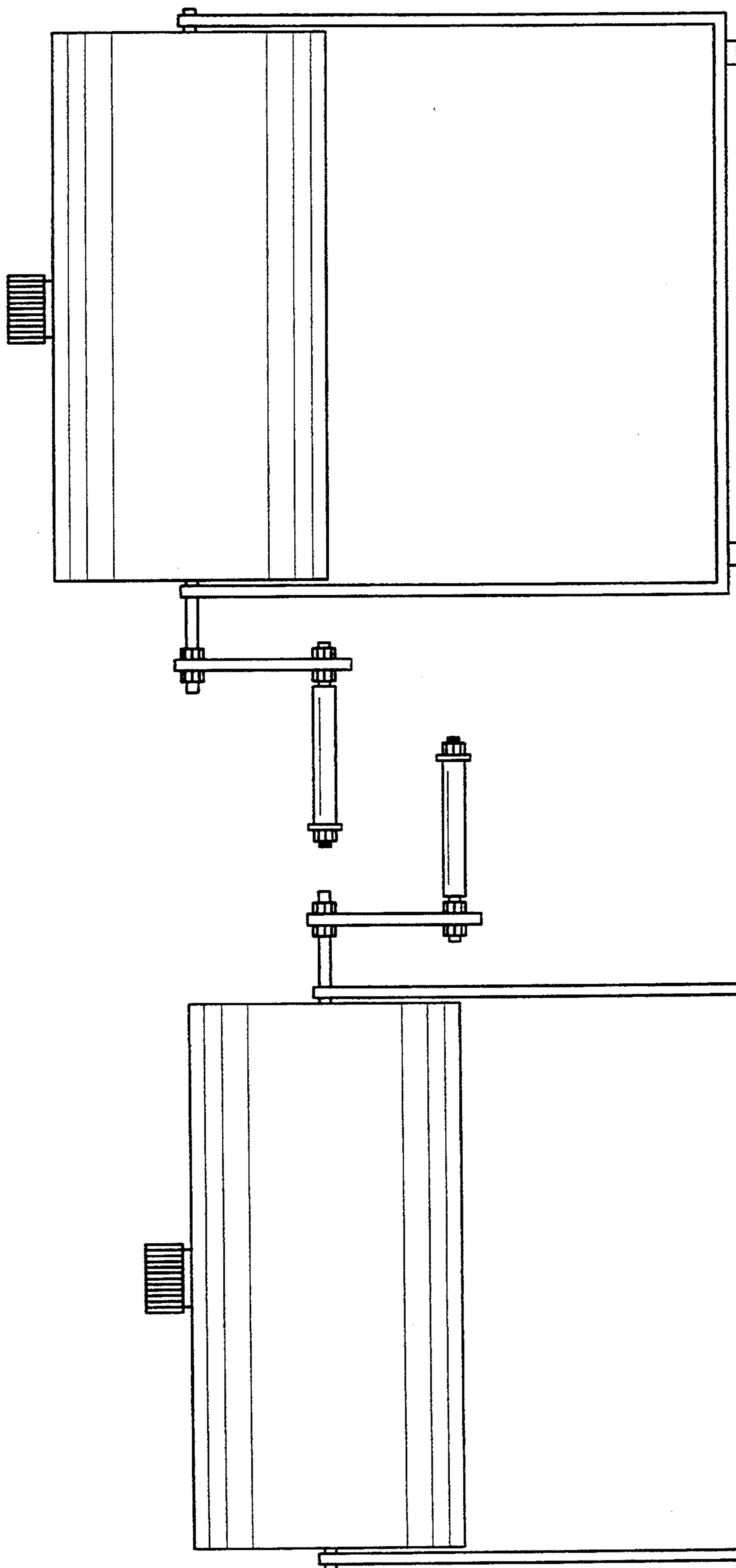


FIG. 2

FIG. 1

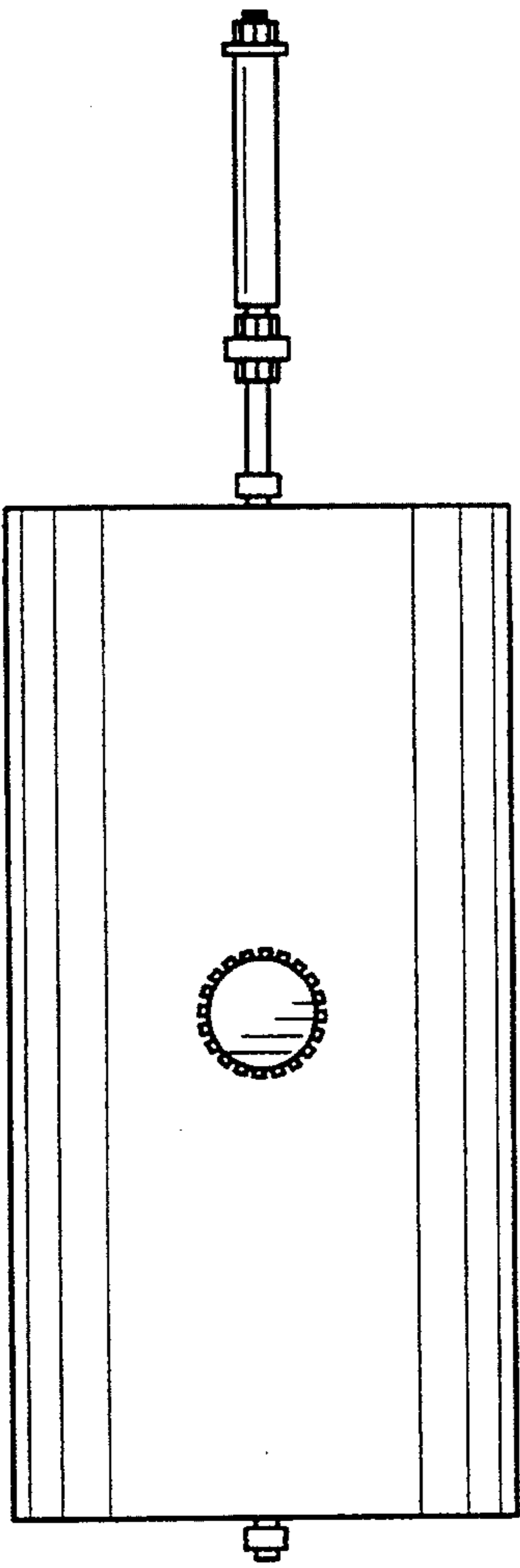


FIG. 3

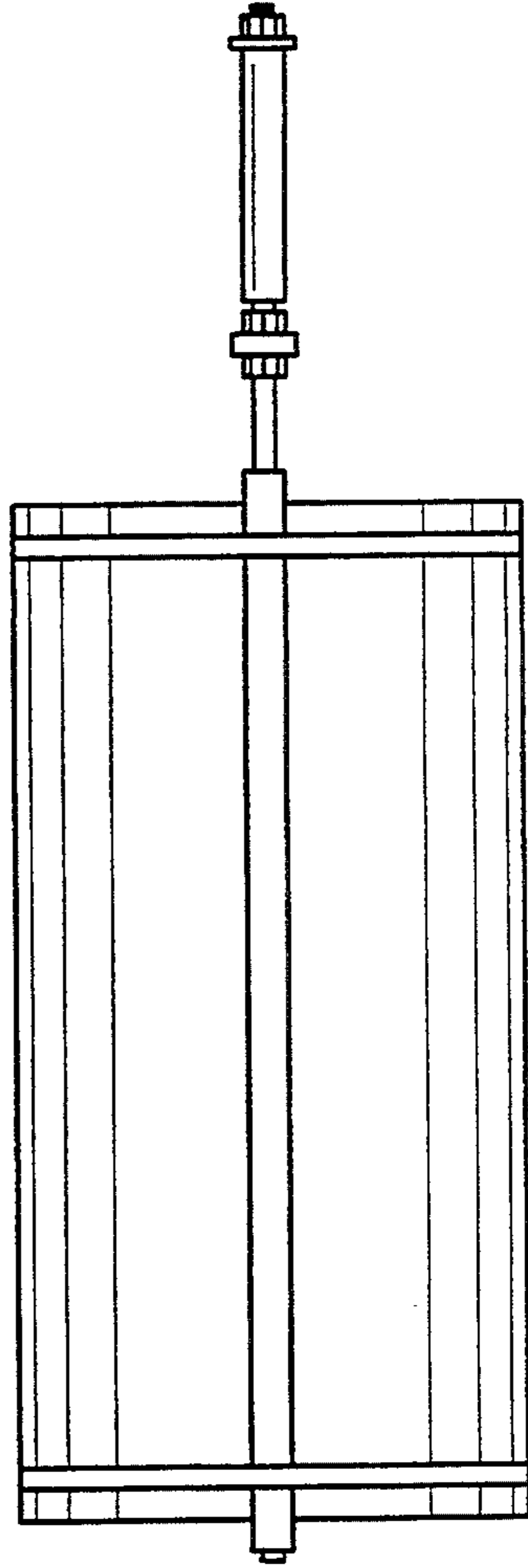


FIG. 4

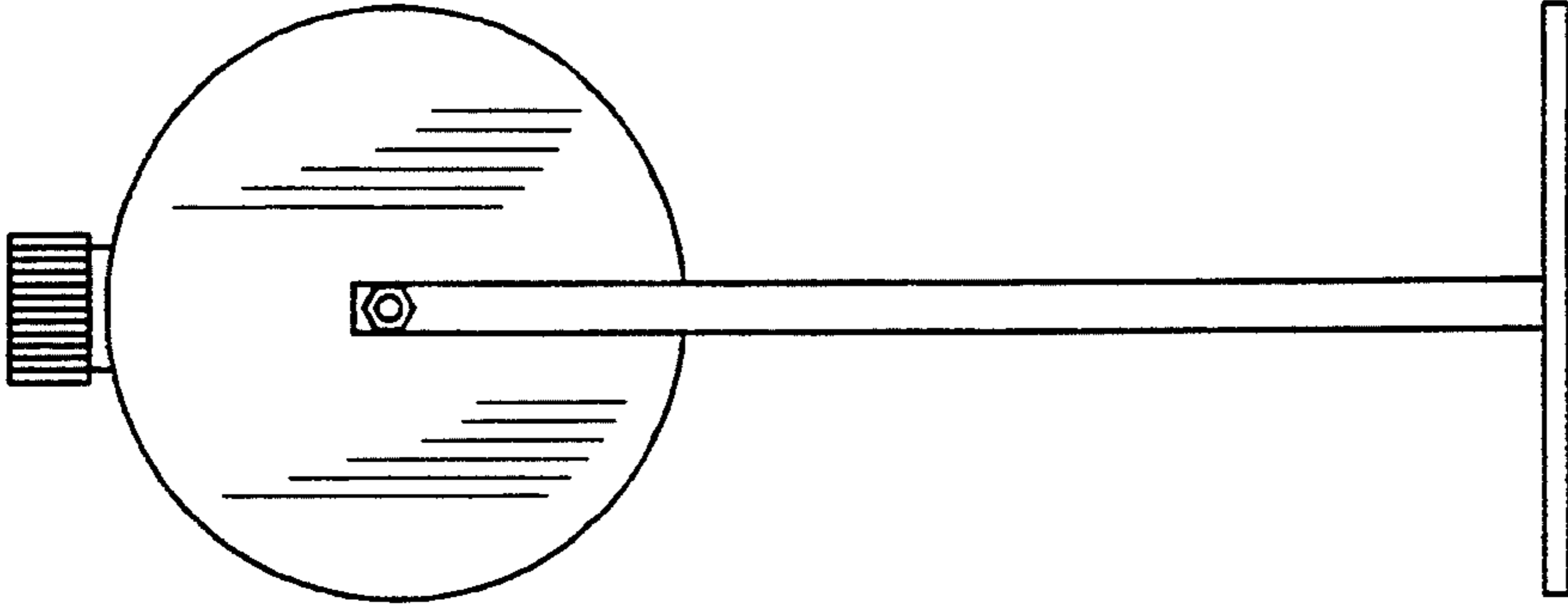


FIG. 5

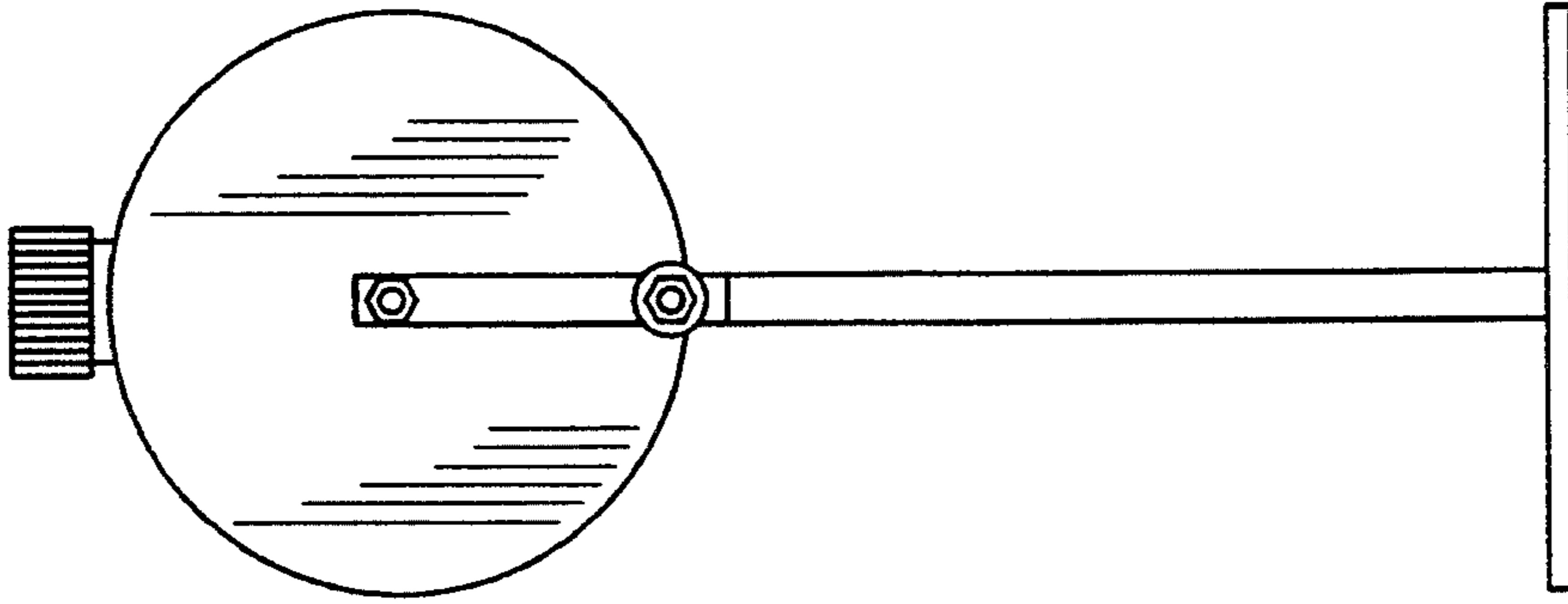


FIG. 6