



US00D351863S

# United States Patent [19]

[11] Patent Number: **Des. 351,863**

Sarkisian et al.

[45] Date of Patent: **\*\* Oct. 25, 1994**

[54] **FREE STANDING SIGN STAND**

[75] Inventors: **Robert Sarkisian, Southfield; David J. Muir, Farmington Hills; David U. Hillstrom, Novi, all of Mich.**

[73] Assignee: **Marketing Displays, Inc., Farmington Hills, Mich.**

[\*\*] Term: **14 Years**

[21] Appl. No.: **9,460**

[22] Filed: **Jun. 11, 1993**

[52] U.S. Cl. .... **D20/41**

[58] Field of Search ..... 40/1, 124, 124.1, 124.2, 40/124.4, 584, 585, 591, 592, 593, 606, 607, 608, 611, 612, 618, 624; D20/10, 21, 40, 41

4,033,536 7/1977 Hillstrom .  
 4,145,828 3/1979 Hillstrom .  
 4,280,294 7/1981 Eckberg, II ..... 40/606  
 4,288,053 9/1981 Sarkisian .  
 4,519,152 5/1985 Seely et al. .  
 4,548,379 10/1985 Seely et al. .  
 4,569,499 2/1986 Seely .  
 4,593,879 6/1986 Seely et al. .  
 4,691,892 9/1987 Grewe et al. .  
 4,937,959 7/1990 Palmer et al. .  
 4,958,458 9/1990 Hillstrom et al. .

*Primary Examiner*—Wallace R. Burke  
*Assistant Examiner*—Marcia Jackson  
*Attorney, Agent, or Firm*—Brooks & Kushman

### [57] CLAIM

The ornamental design for a free standing sign stand, as shown and described.

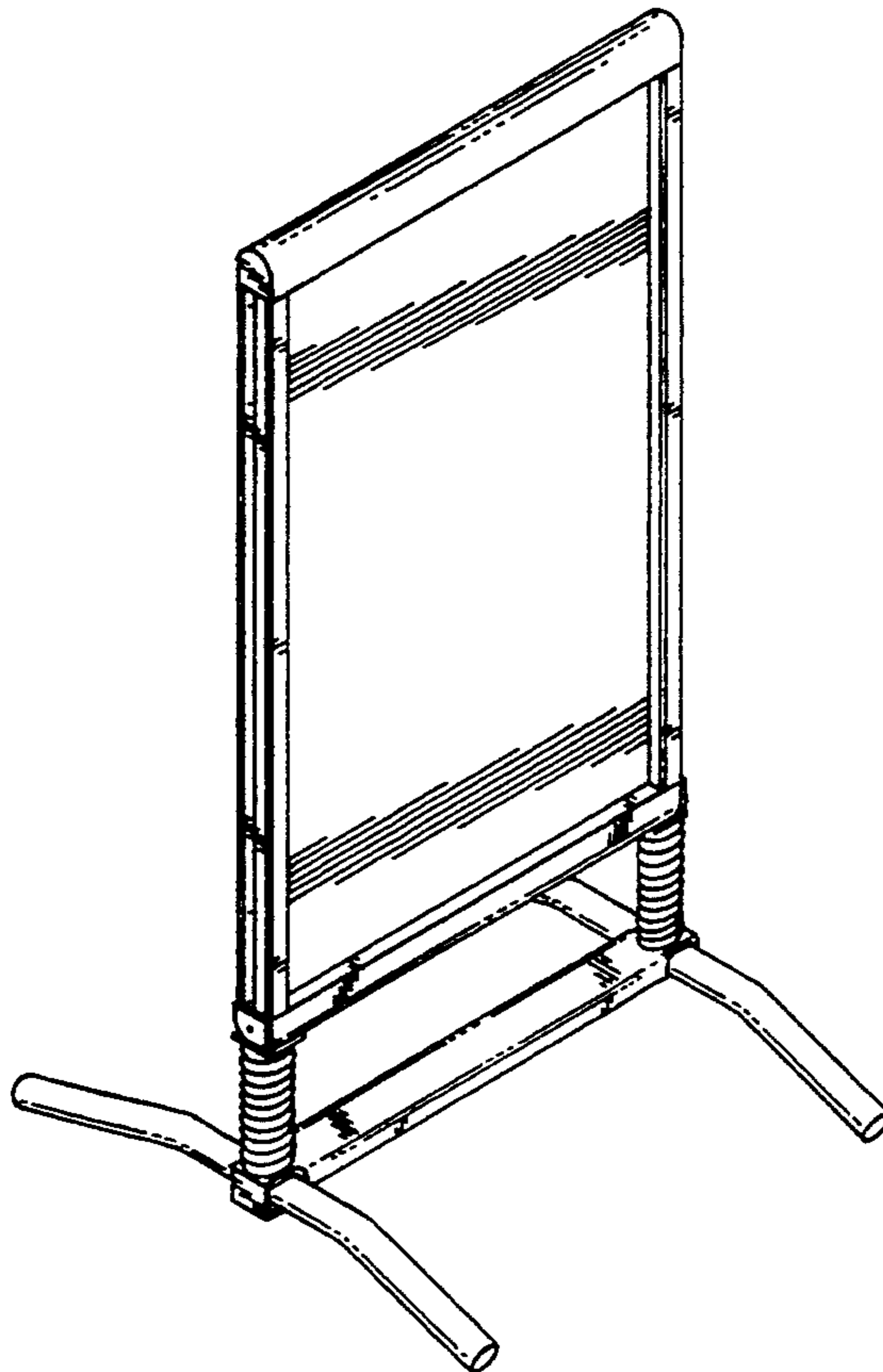
### [56] References Cited

#### U.S. PATENT DOCUMENTS

Re. 32,359	2/1987	Seely	40/606
1,505,046	8/1924	Lush	40/606
1,598,438	8/1926	Hallowell	40/606
1,887,894	11/1932	Schwab	40/606
1,918,933	7/1933	Rogers	40/606
2,064,127	12/1936	Schneider	40/606
2,388,180	10/1945	Pulver, Jr.	40/606
2,454,648	11/1948	Green	40/606
2,863,238	12/1958	Keech	40/606
3,310,901	3/1967	Sarkisian	.
3,646,696	3/1972	Sarkisian	.
3,662,482	5/1972	Sarkisian	.

#### DESCRIPTION

FIG. 1 is a perspective view of the free standing sign stand;  
 FIG. 2 is a right side elevational view of the free standing sign stand, with the left side elevational view being identical;  
 FIG. 3 is a front plan view of the free standing sign stand;  
 FIG. 4 is a top plan view of the free standing sign stand;  
 and,  
 FIG. 5 is a bottom plan view of the free standing sign stand.



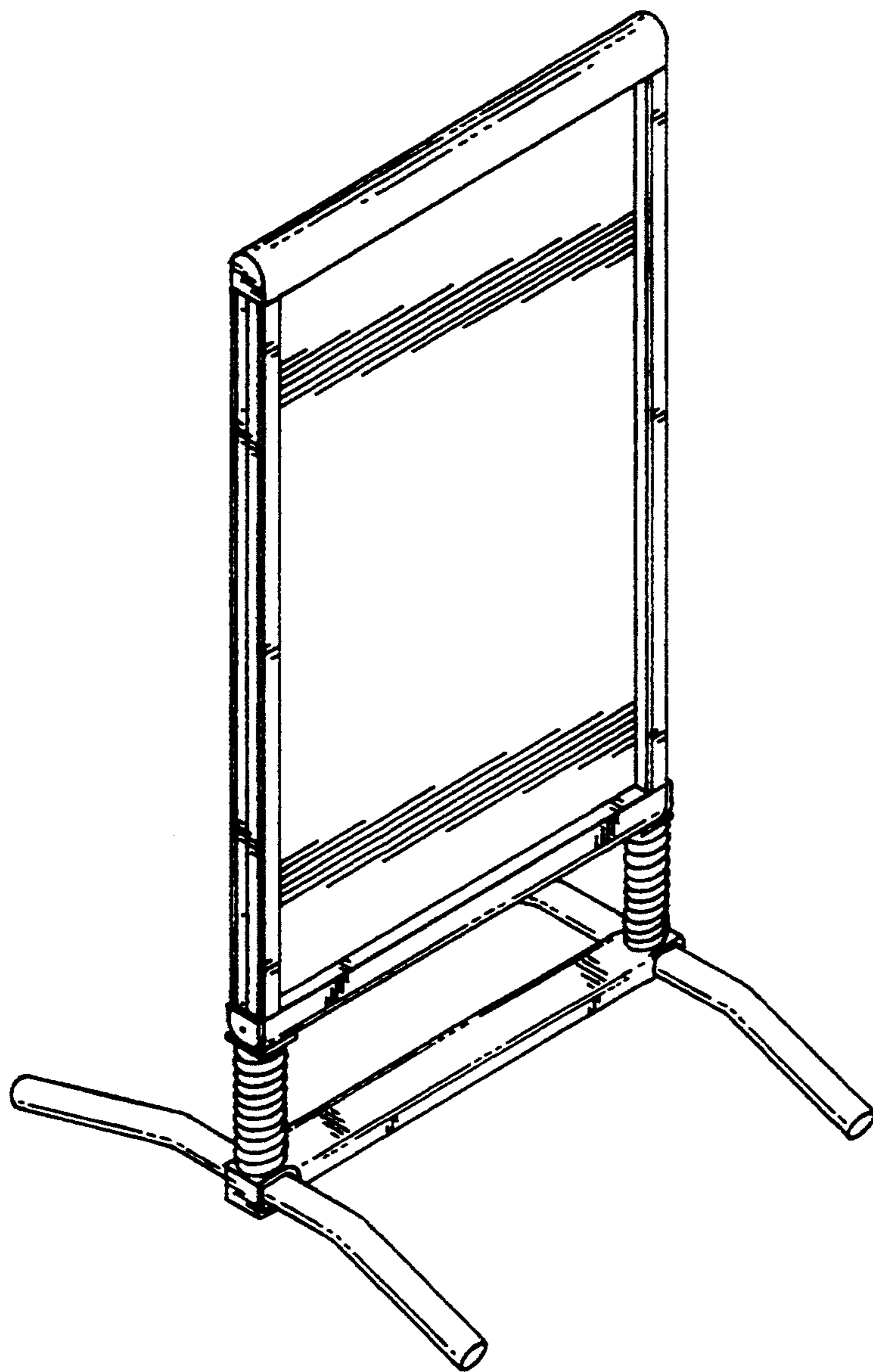


FIG. 1

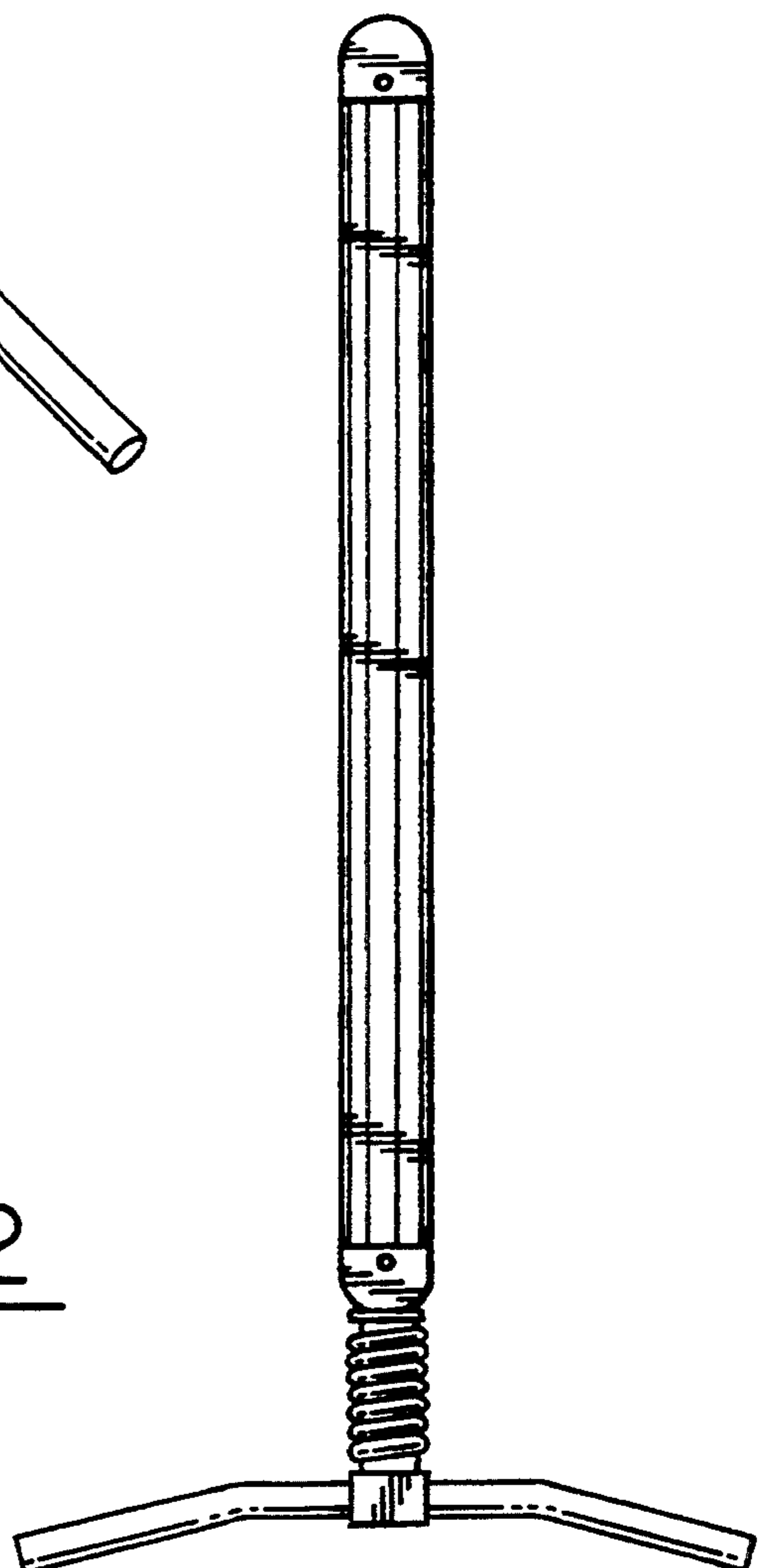


FIG. 2

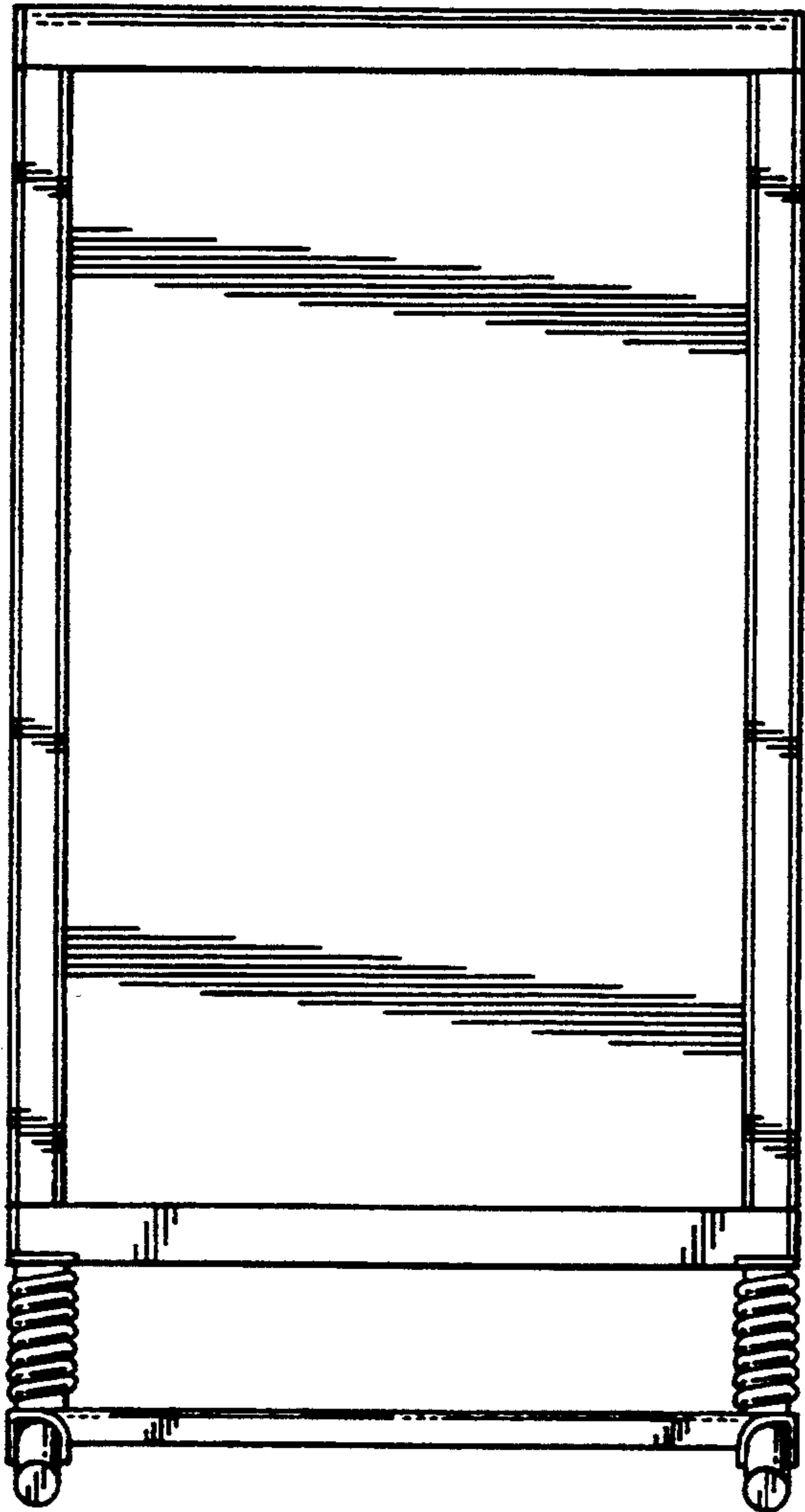


FIG. 3

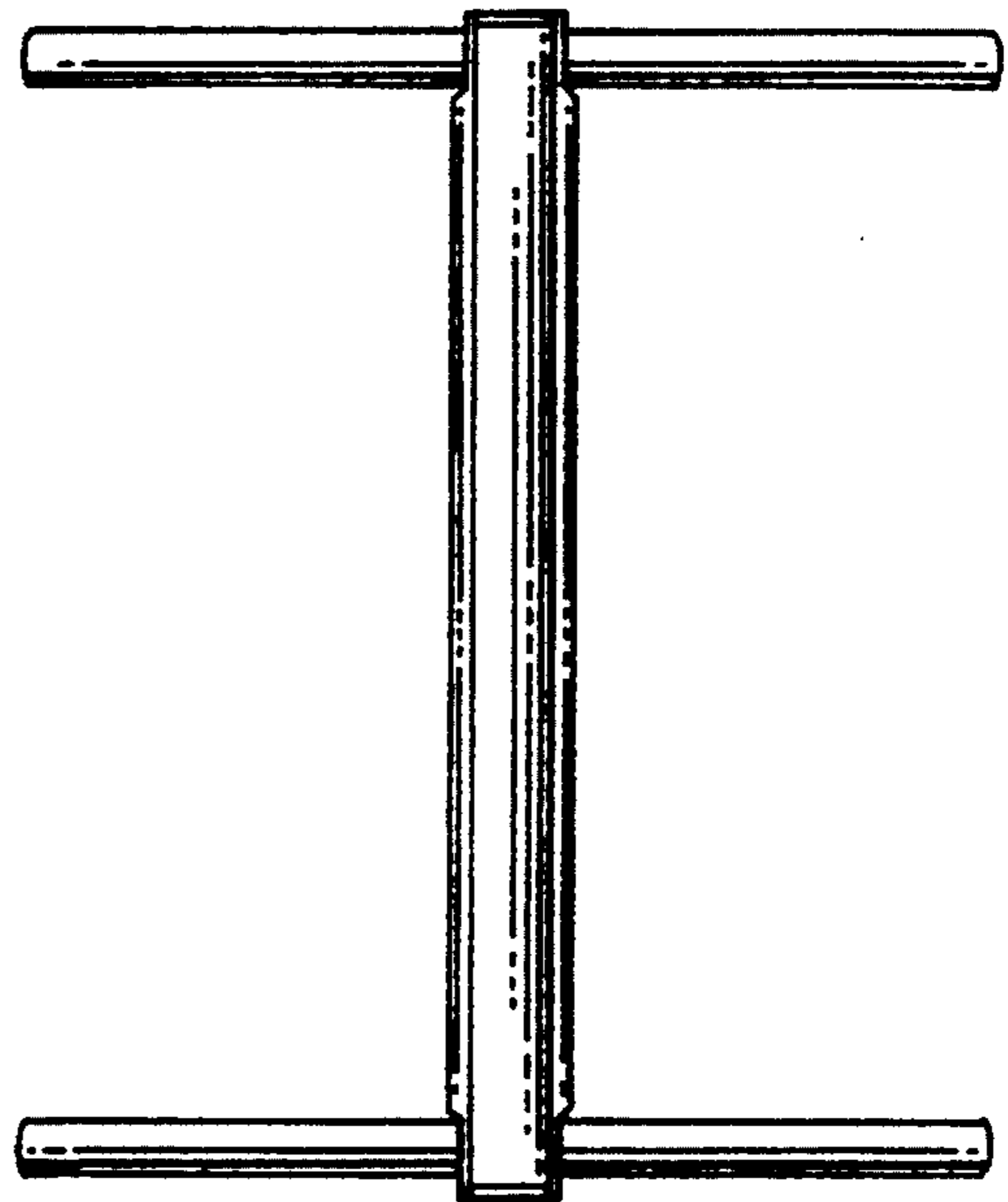


FIG. 4

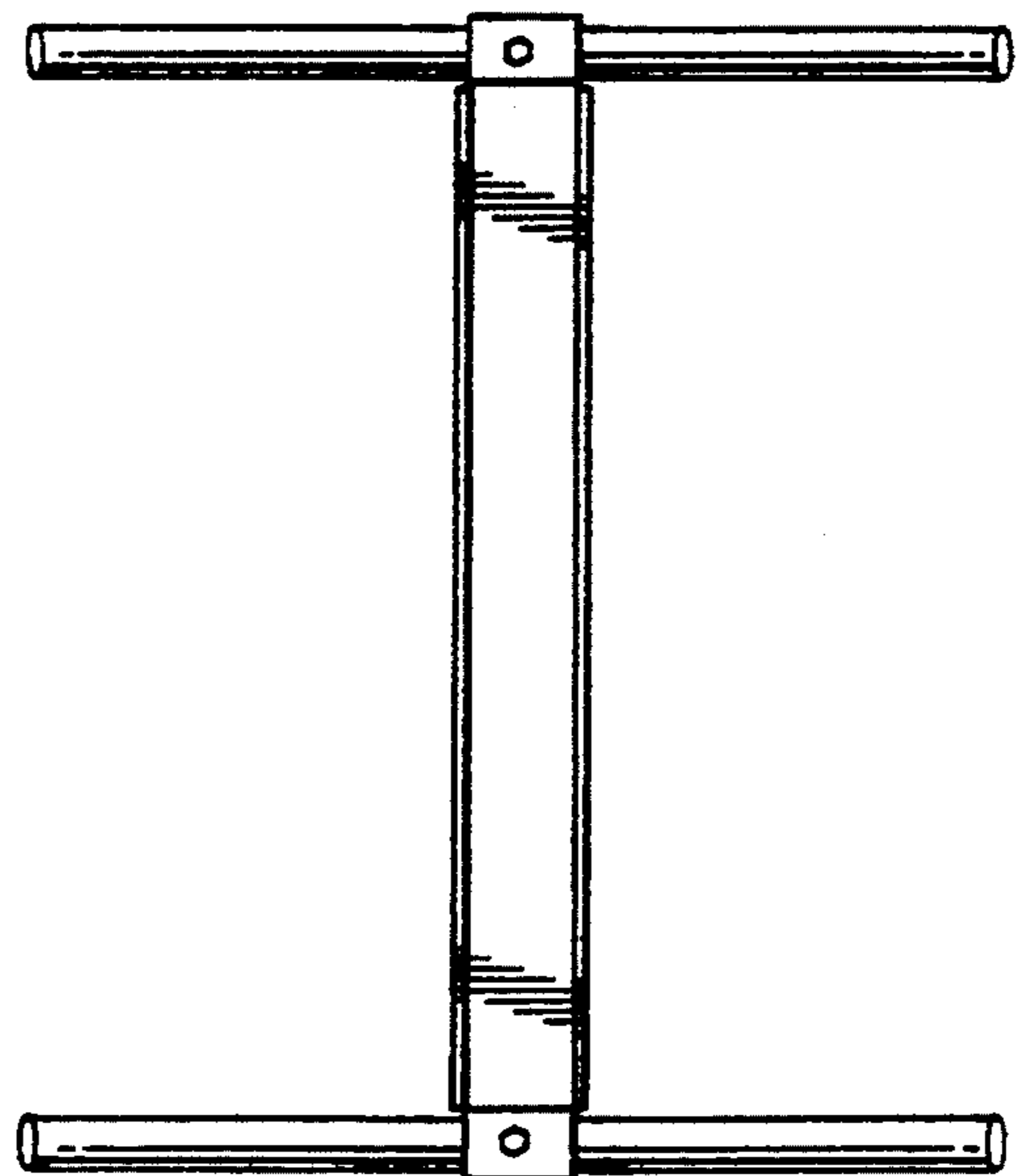


FIG. 5