



US00D351861S

United States Patent [19]

Anderson et al.

[11] Patent Number: Des. 351,861

[45] Date of Patent: ** Oct. 25, 1994

[54] PARKING LOT LOCATION INDICATOR

[75] Inventors: Andrew K. Anderson, Shreveport, La.; Keith A. Becker, Ransom Canyon, Tex.

[73] Assignee: Gencor, Inc., Ransom Canyon, Tex.

[**] Term: 14 Years

[21] Appl. No.: 13,772

[22] Filed: Oct. 1, 1993

[52] U.S. Cl. D20/18

[58] Field of Search 116/316, 318, 223; D20/10, 18, 19, 20; D10/41, 61, 62, 64, 65, 97, 104; D18/10

[56] **References Cited**

U.S. PATENT DOCUMENTS

- D. 297,820 9/1988 Chan .
- D. 307,215 4/1990 Chan .
- D. 319,804 9/1991 Johnson et al. .
- D. 340,949 11/1993 Anderson et al. D20/18
- D. 341,378 11/1993 Becker et al. D20/18
- 2,976,630 3/1961 Montfort .

- 3,829,994 8/1974 Dillon .
- 4,797,671 1/1989 Toal .
- 4,958,454 9/1990 Chan et al. .

Primary Examiner—Wallace R. Burke
Assistant Examiner—Marcus Jackson
Attorney, Agent, or Firm—Richard J. Smith

[57] **CLAIM**

The ornamental design for a parking lot location indicator, as shown and described.

DESCRIPTION

FIG. 1 is a perspective view of a parking lot location indicator showing our new design, with the broken line showing for illustrative purposes only and forming no part of the claimed design;

FIG. 2 is a reduced top plan view thereof;

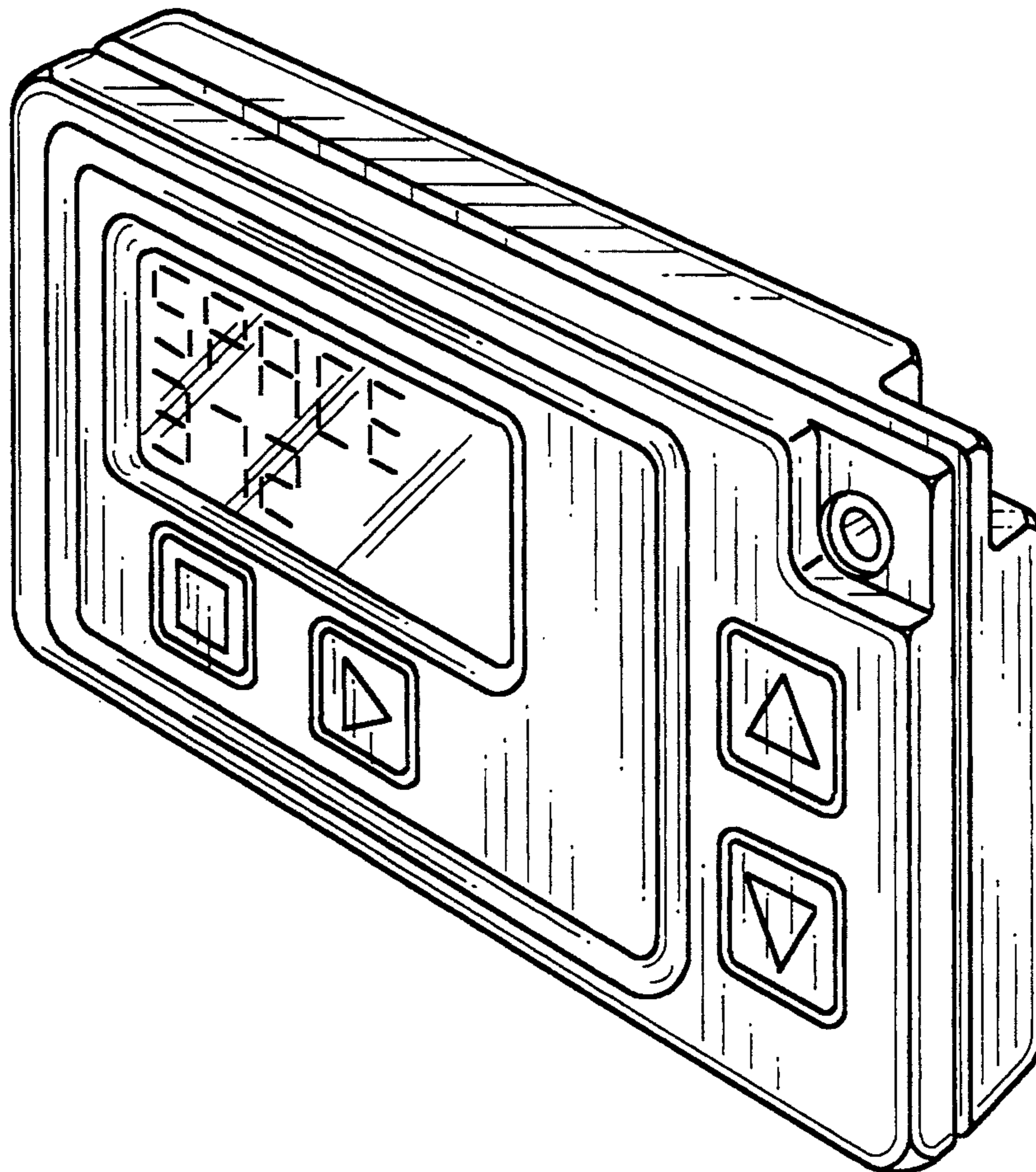
FIG. 3 is a front elevational view thereof, with the broken line showing for illustrative purposes only and forming no part of the claimed design;

FIG. 4 is a right side elevational view thereof;

FIG. 5 is a rear elevational view thereof;

FIG. 6 is a left side elevational view thereof; and,

FIG. 7 is a bottom plan view thereof.



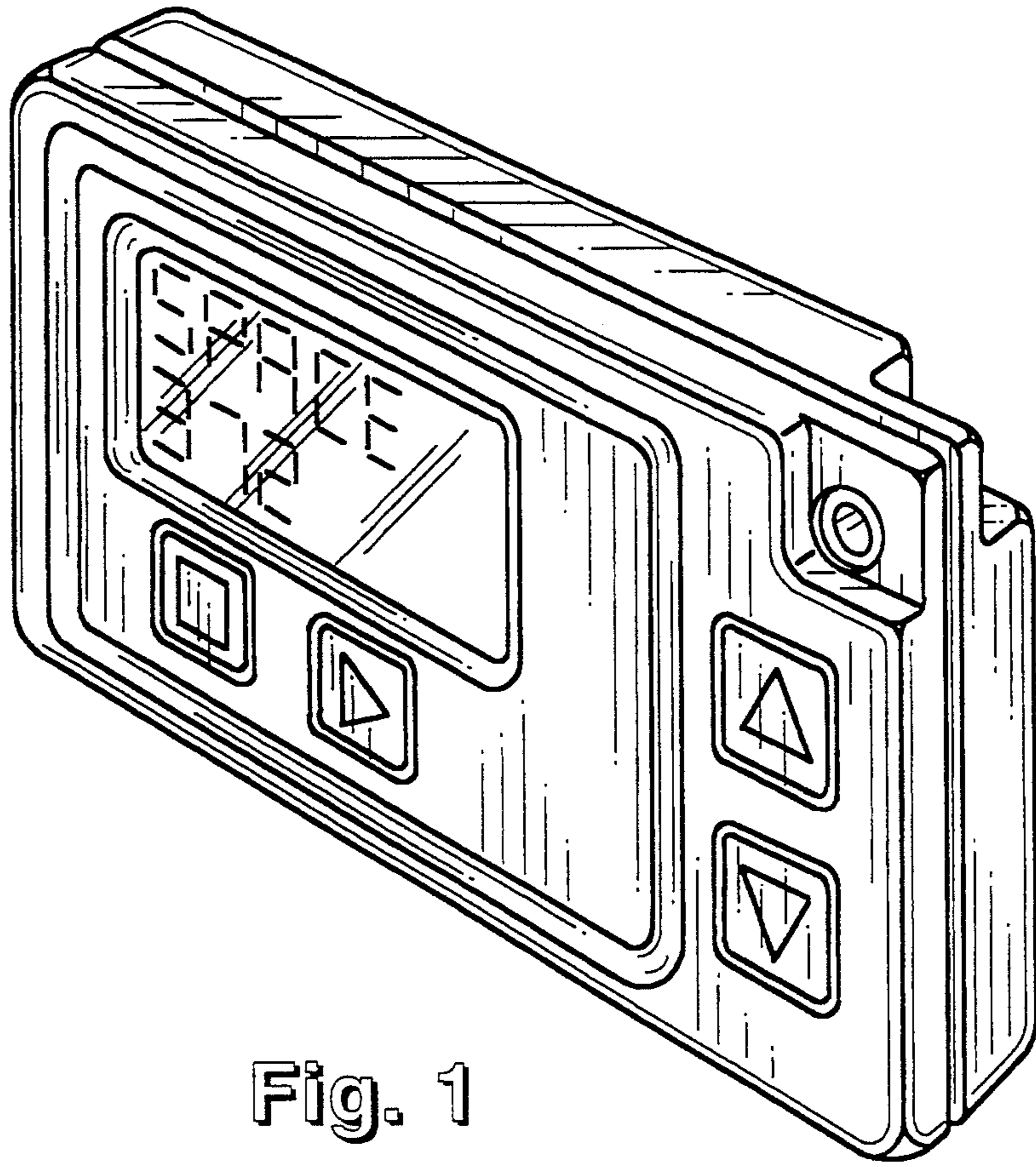


Fig. 1

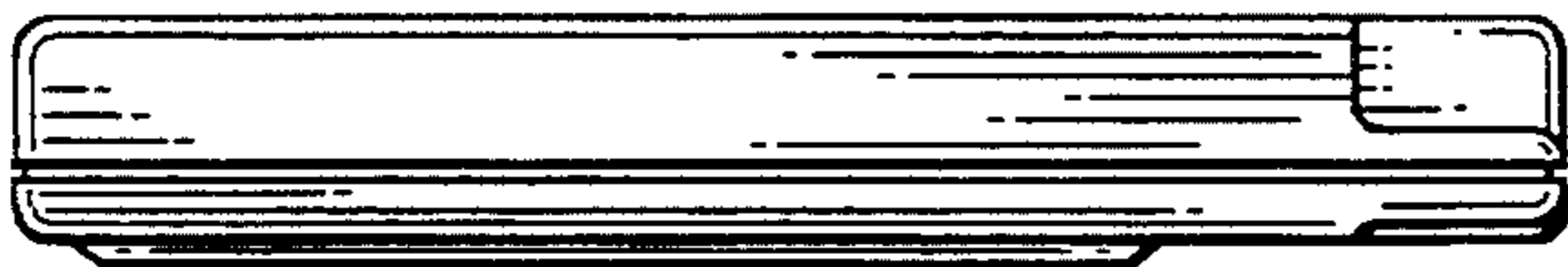


Fig. 2

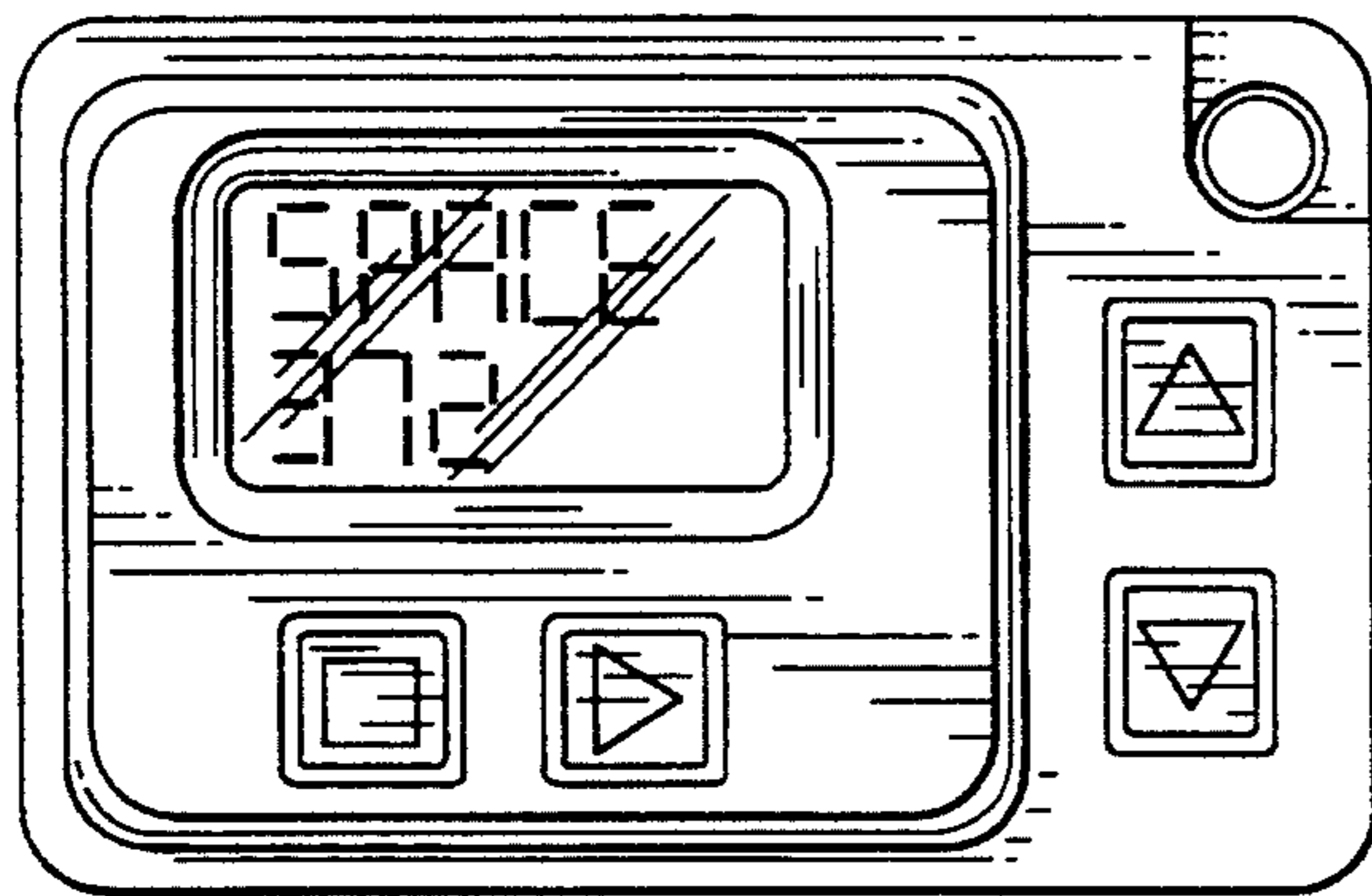


Fig. 3

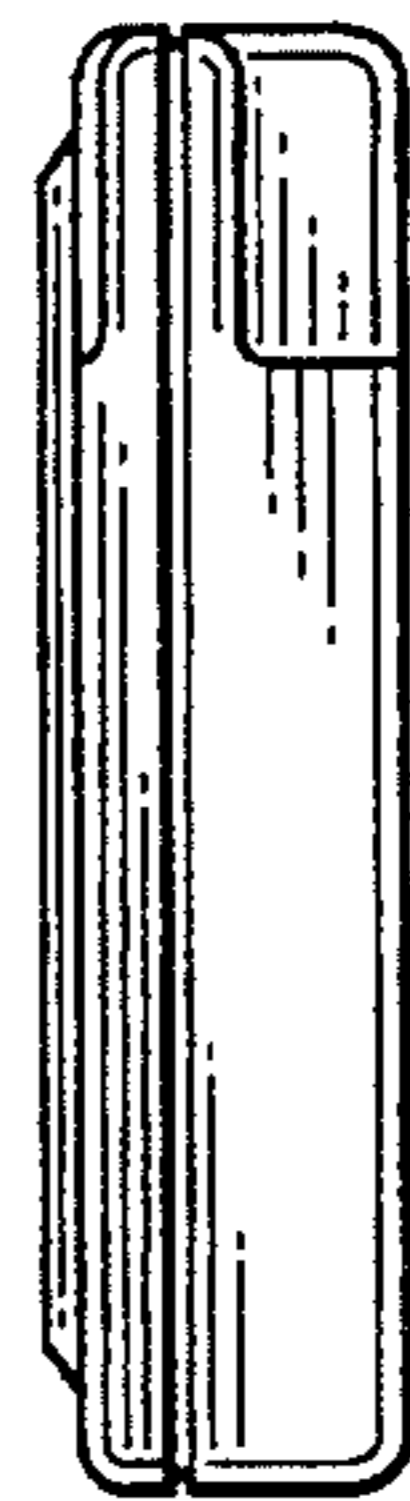


Fig. 4

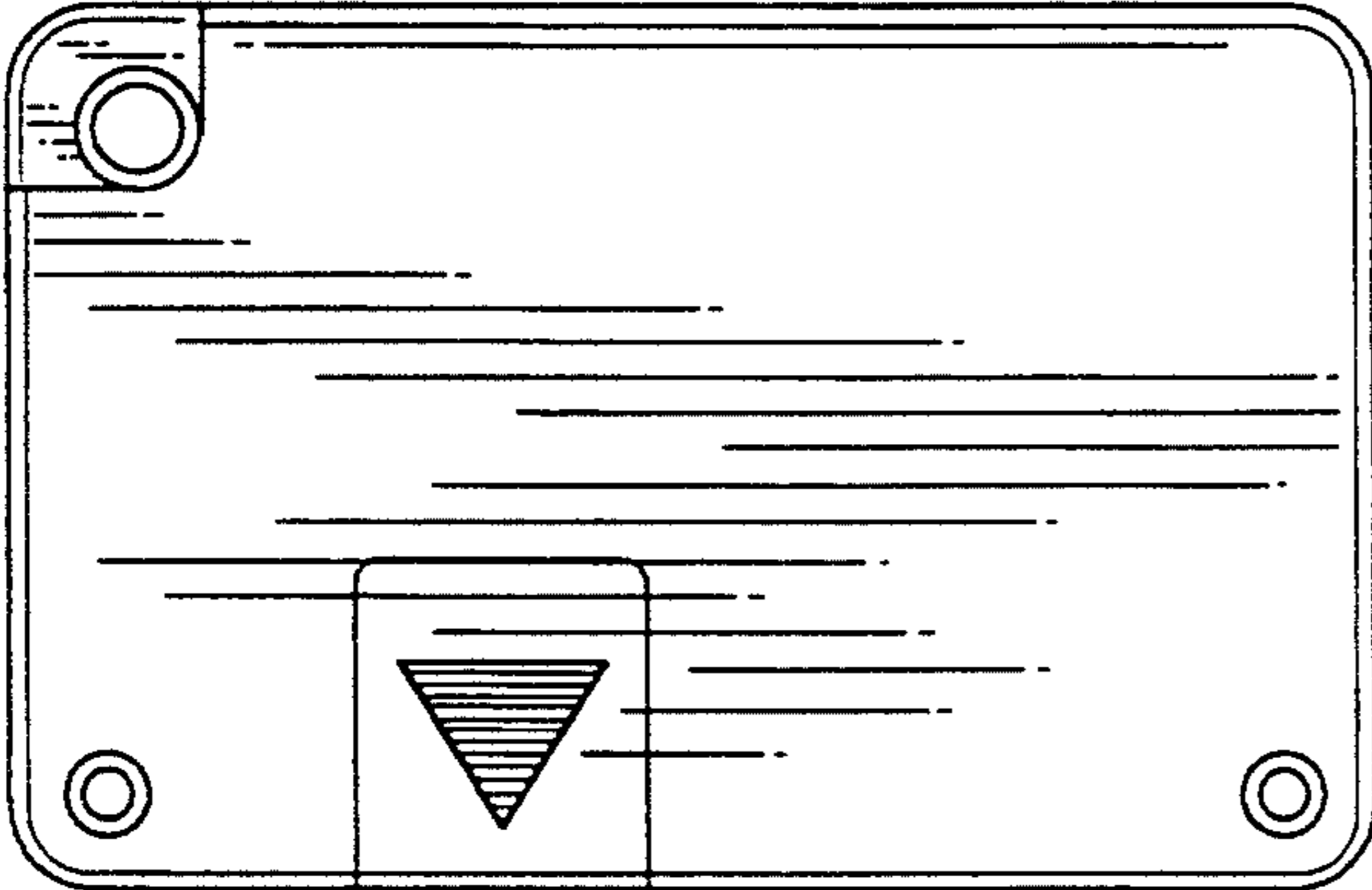


Fig. 5



Fig. 6

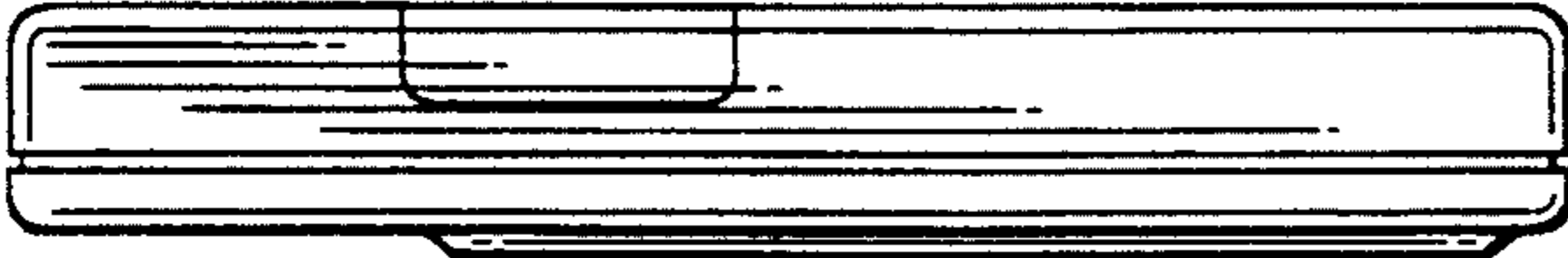


Fig. 7