



US00D351860S

# United States Patent [19]

[11] Patent Number: **Des. 351,860**

Kirchner et al.

[45] Date of Patent: **\*\* Oct. 25, 1994**

[54] **SURFACE-MOUNTABLE PLURAL PAPER TRAY UNIT**

[76] Inventors: **Balthasar Kirchner**, Bahnhofstrasse 8, A-4070 Eferding; **Siegfried Schleicher**, Othing 9, A-4611 Buchkirchen, both of Austria

[\*\*] Term: **14 Years**

[21] Appl. No.: **939,526**

[22] Filed: **Sep. 2, 1992**

[30] **Foreign Application Priority Data**

Mar. 9, 1992 [AT] Austria ..... MU902/92

[52] U.S. Cl. .... **D19/92; D6/510; D19/75**

[58] **Field of Search** ..... D6/491, 509-511, D6/512, 475, 462, 466, 574, 429; 248/281.1, 235, 917, 919, 920; 297/142, 161, 194; 108/47, 49, 138, 152; 211/126; D19/65, 75, 86, 88, 91, 92

[56] **References Cited**

**U.S. PATENT DOCUMENTS**

D. 154,560 7/1949 McCay et al. .... D19/92 X

D. 179,480 1/1957 Jones et al. .... D19/92 X  
D. 205,848 9/1966 Poole ..... D6/512  
D. 230,646 3/1974 Unger ..... D19/92  
D. 254,883 5/1980 Jorda-Segui ..... D19/92 X  
D. 275,431 9/1984 Usak ..... D6/429  
D. 306,383 3/1990 Sträter ..... D6/511  
D. 342,173 12/1993 Kirchner ..... D6/511  
4,783,036 11/1988 Vossaughi ..... 248/281.1

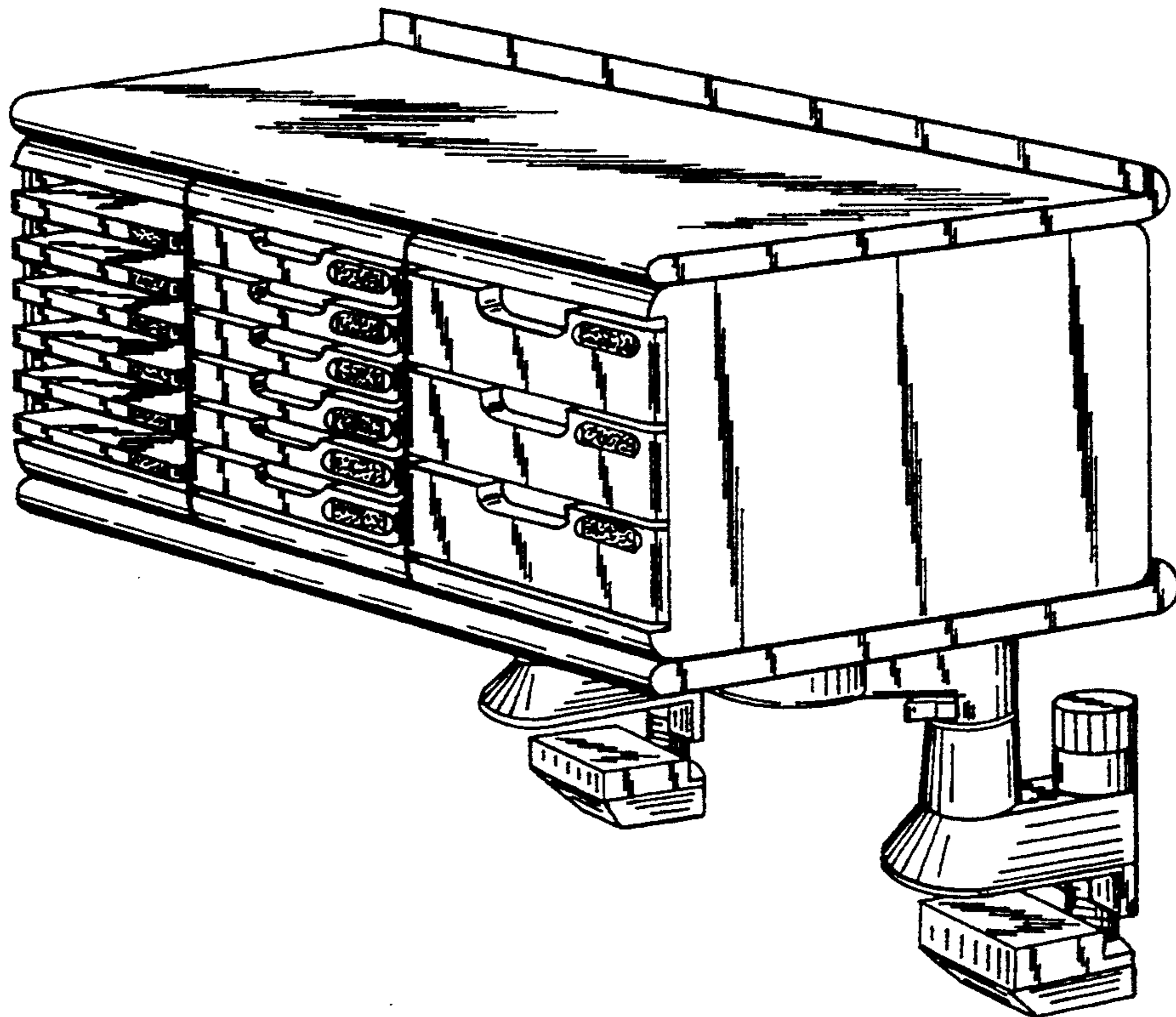
*Primary Examiner*—Martie Thompson  
*Attorney, Agent, or Firm*—Herbert Dubno; Ronald Lianides

[57] **CLAIM**

The ornamental design for a surface-mountable plural paper tray unit, as shown.

**DESCRIPTION**

FIG. 1 is a left side perspective view of a surface-mountable plural paper tray unit showing our new design;  
FIG. 2 is a rear perspective view thereof;  
FIG. 3 is a front perspective view thereof;  
FIG. 4 is a right side perspective view thereof;  
FIG. 5 is a top perspective view thereof;  
FIG. 6 is an upper right-side, front perspective view thereof; and,  
FIG. 7 is a bottom perspective view thereof.



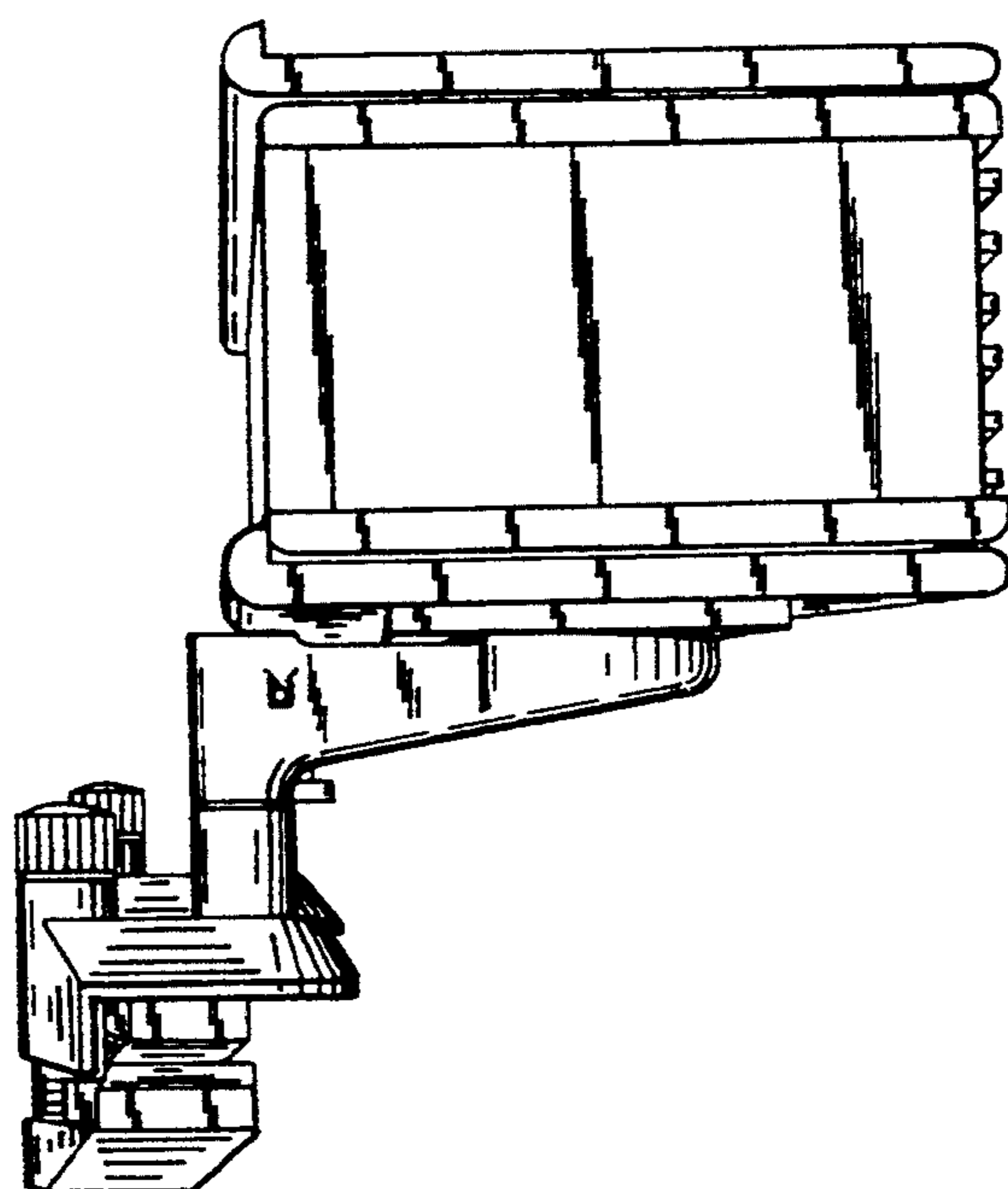


FIG. 1

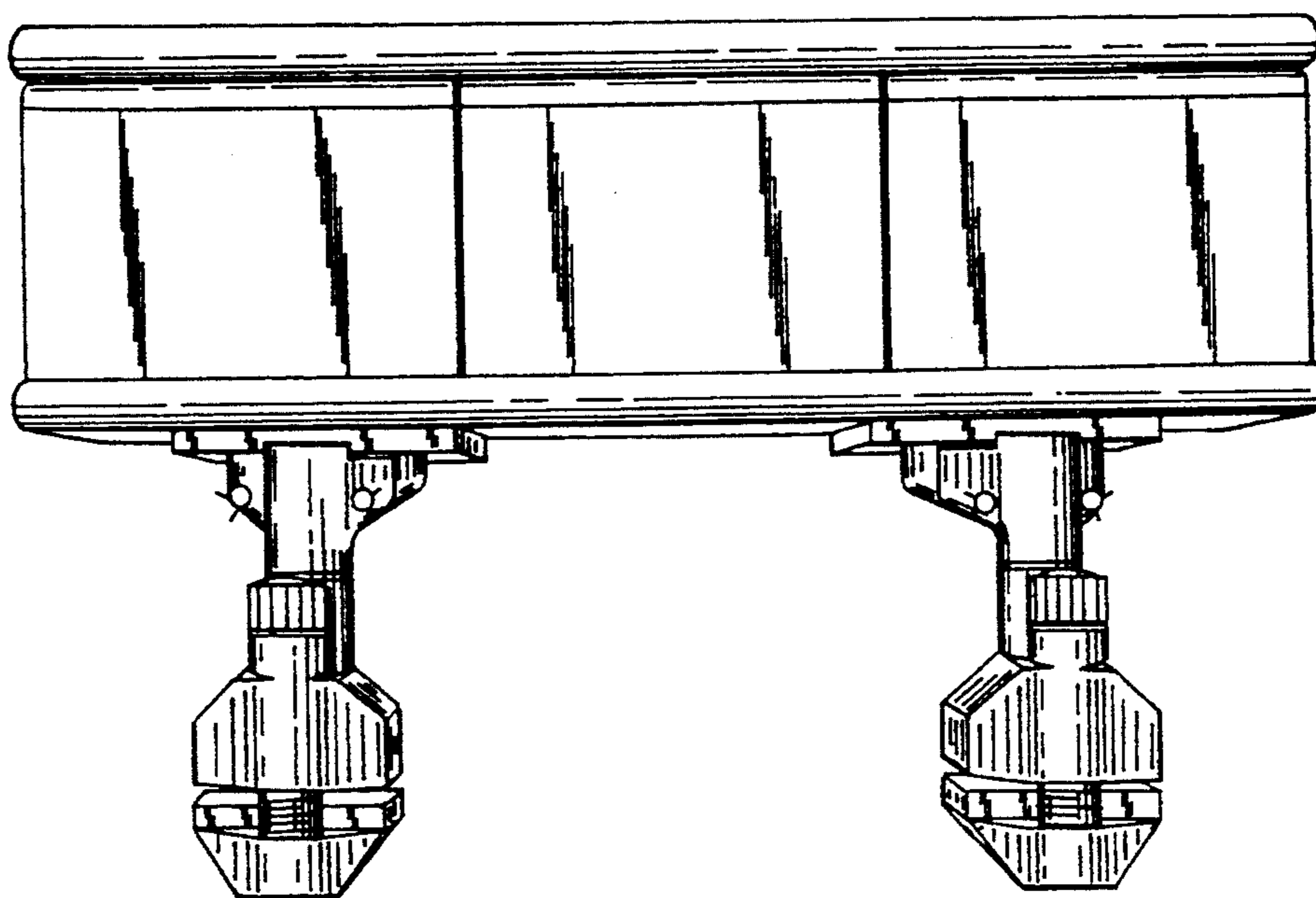


FIG. 2

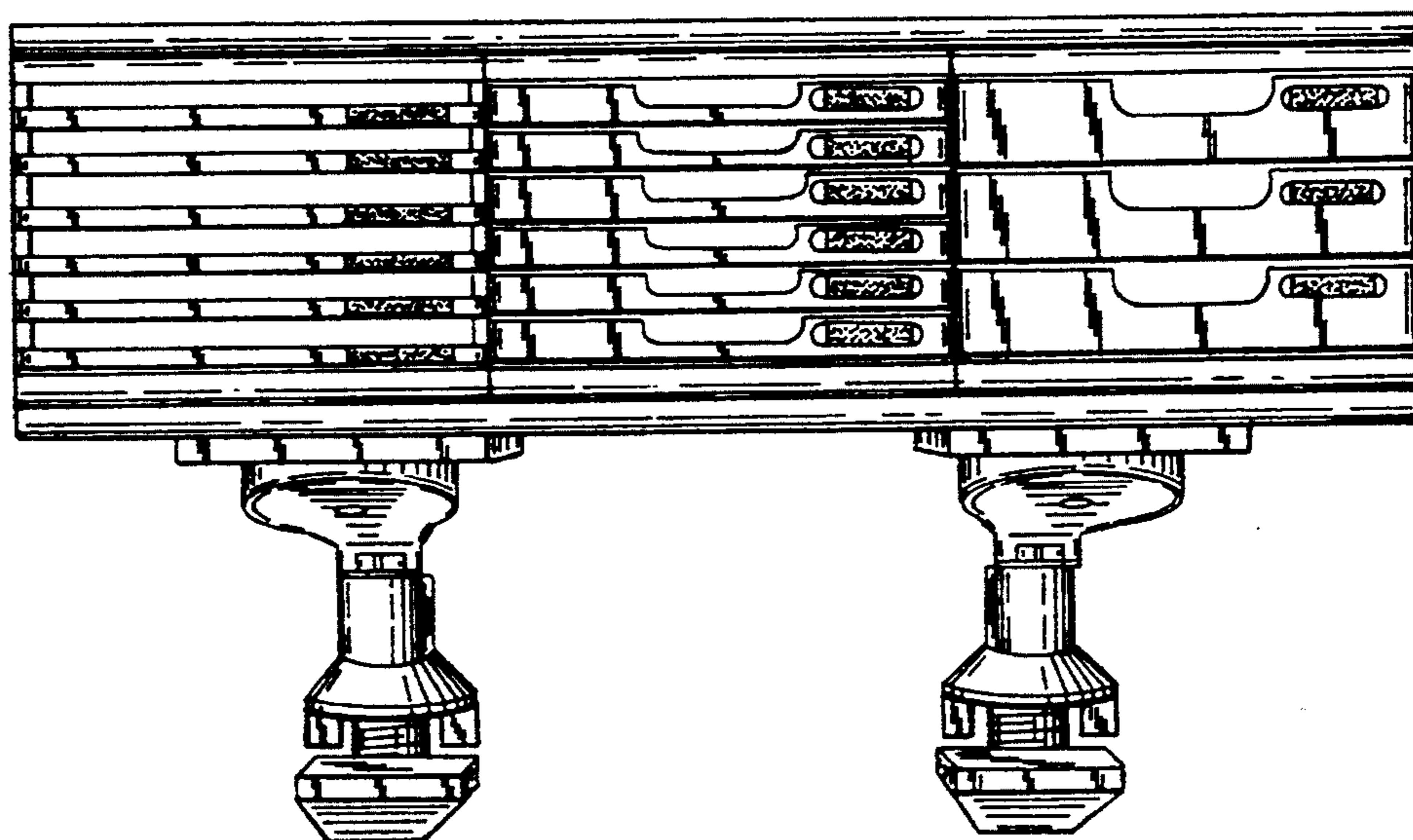


FIG. 3

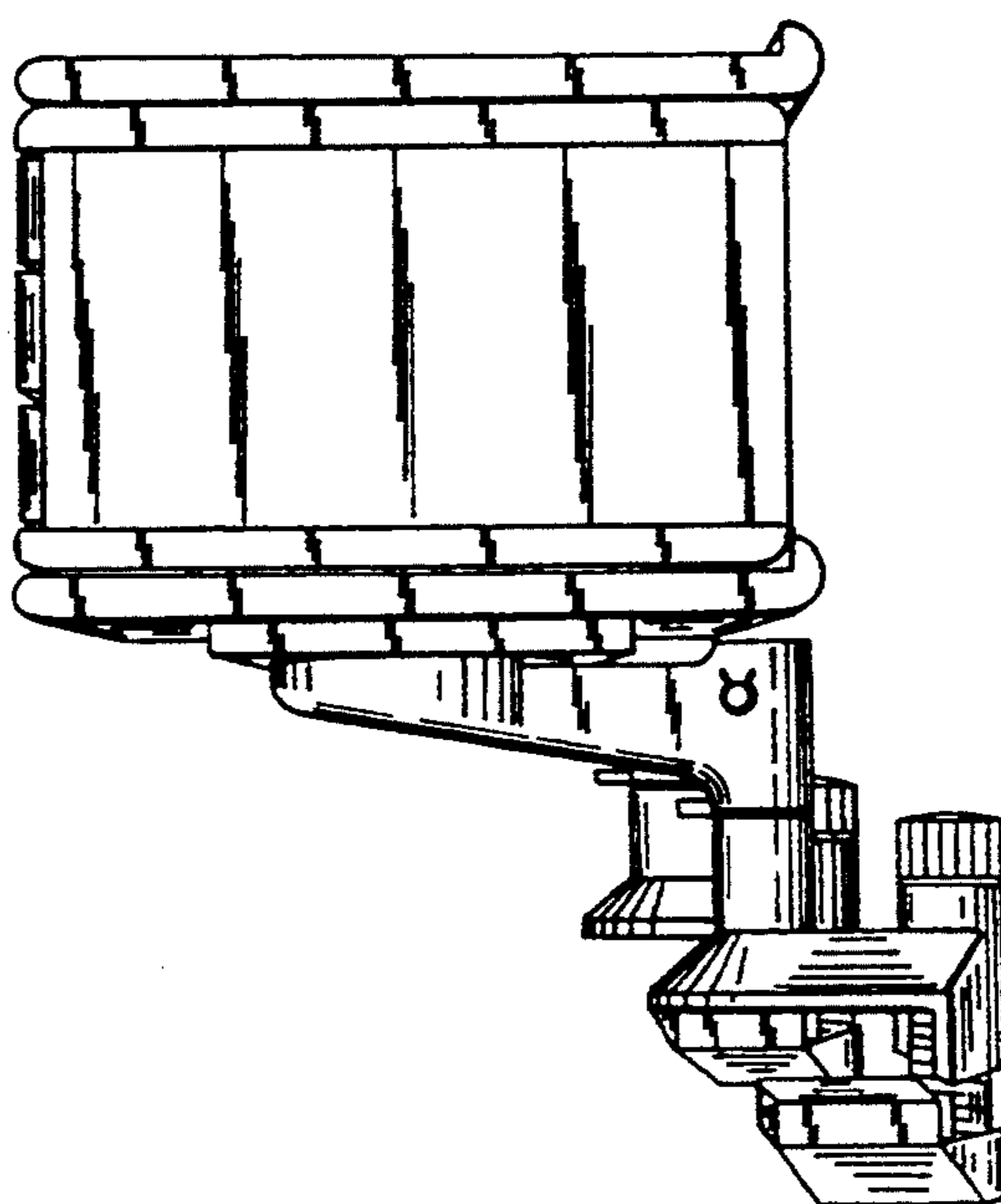


FIG. 4

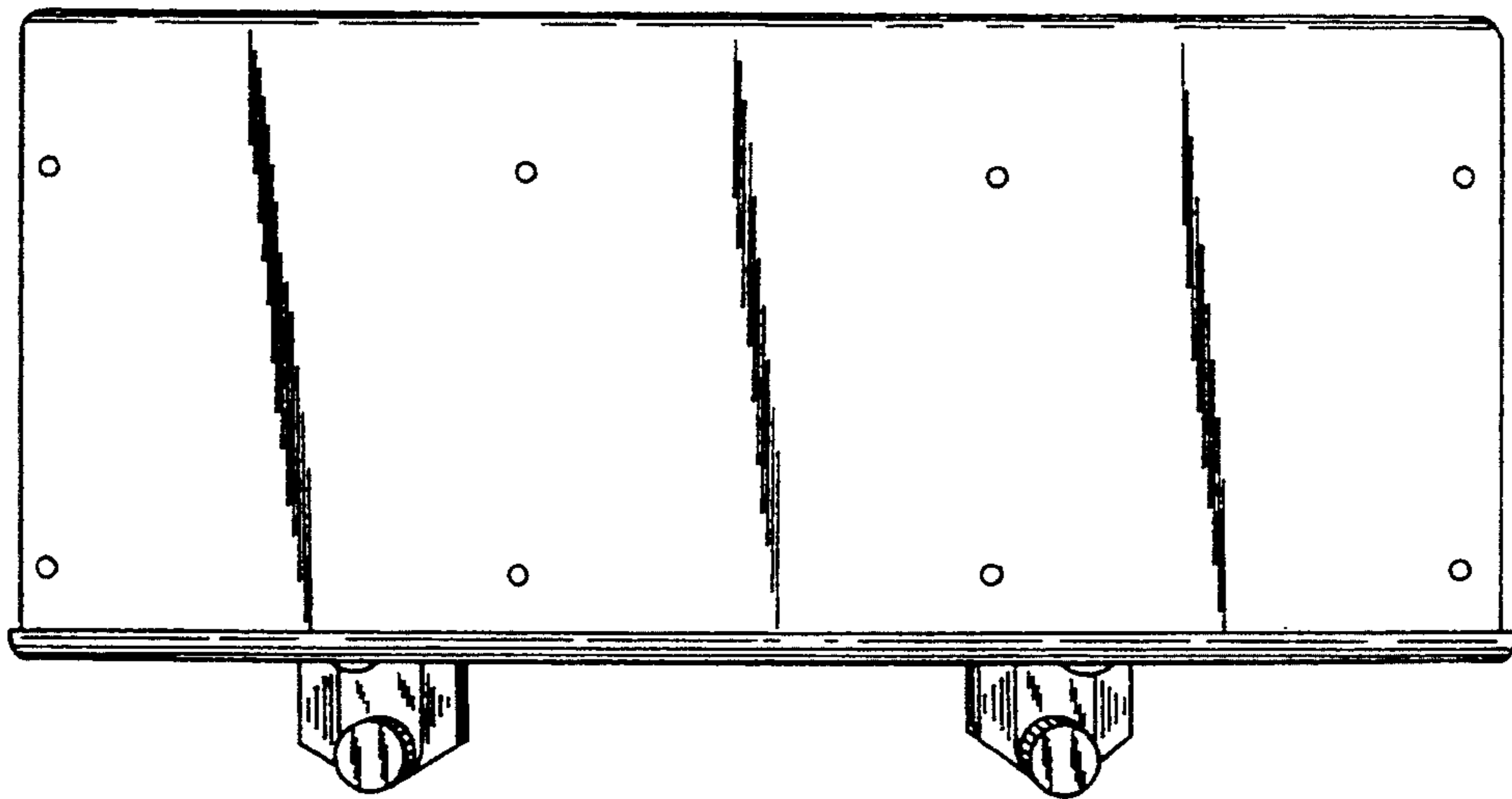


FIG.5



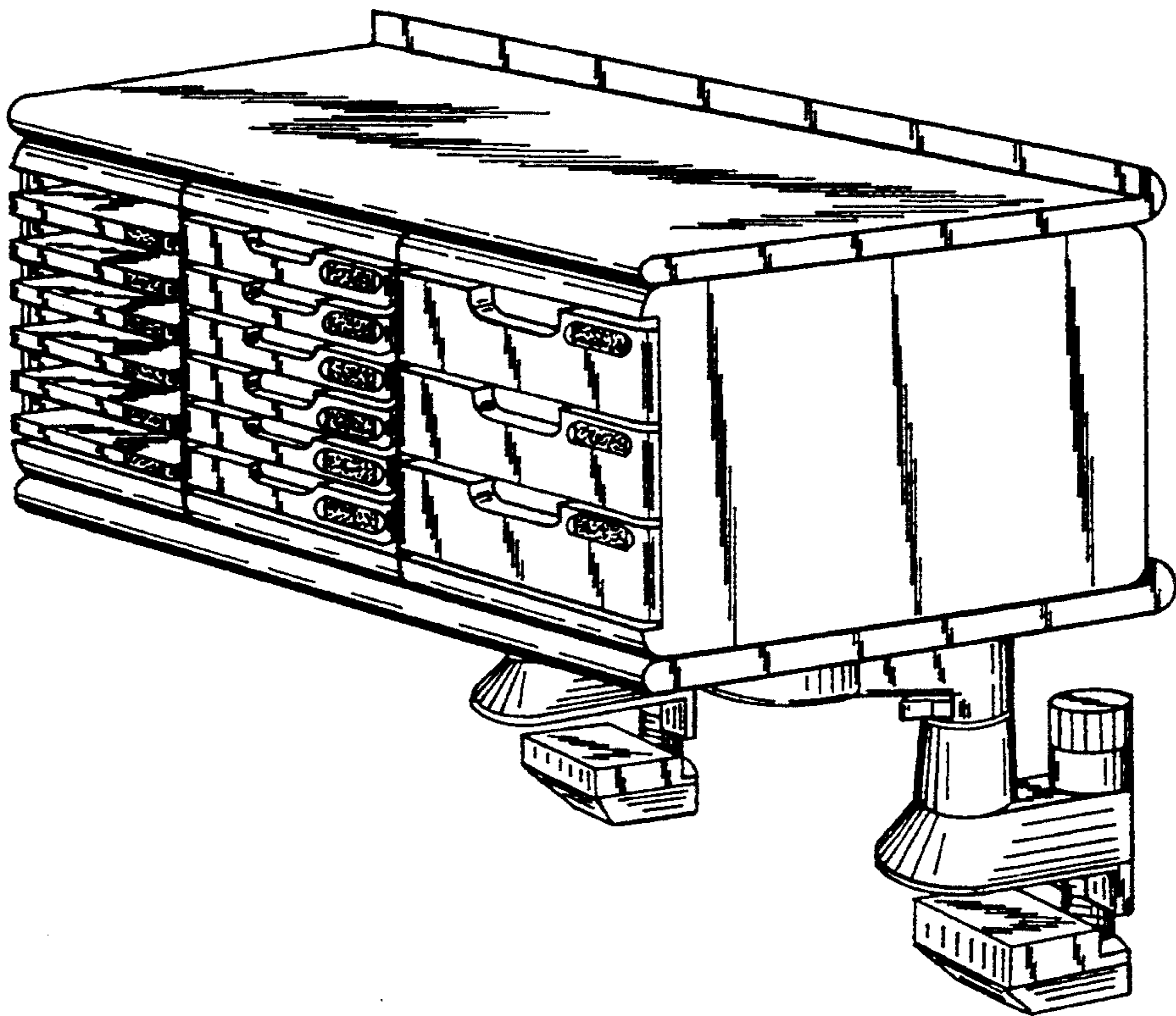


FIG. 6

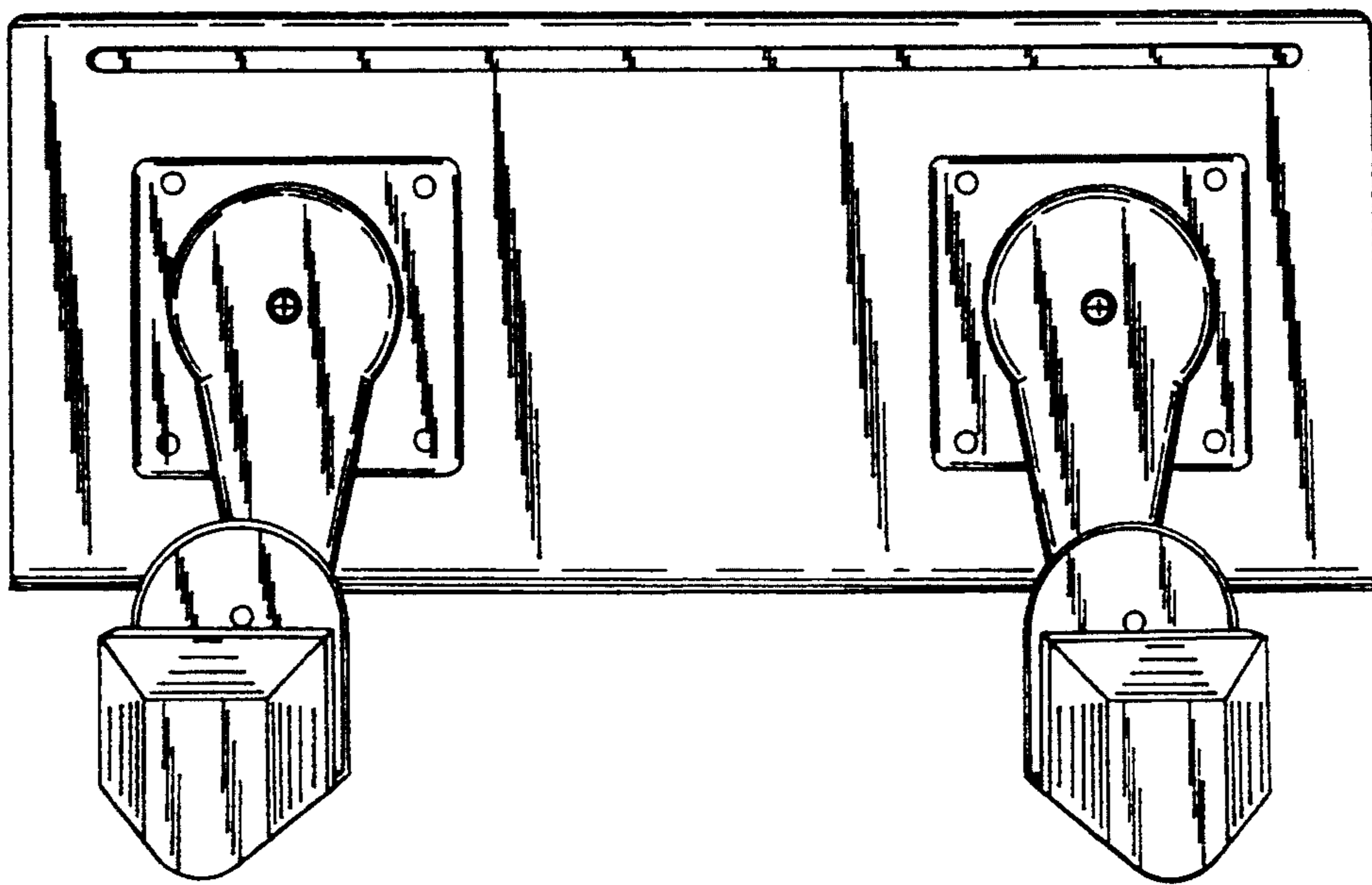


FIG. 7