



US00D351859S

United States Patent [19]

[11] Patent Number: **Des. 351,859**

Elstein et al.

[45] Date of Patent: **** Oct. 25, 1994**

[54] **TAPE DISPENSER**

[75] Inventors: **William Elstein; C. Byron Vaughan; Clarence C. Kersey**, all of Sarasota, Fla.

[73] Assignee: **Med-Tape, Inc.**, Sarasota, Fla.

[**] Term: **14 Years**

[21] Appl. No.: **823,556**

[22] Filed: **Jan. 21, 1992**

[52] U.S. Cl. **D19/69; D19/67**

[58] Field of Search **D6/518, 472; 225/6, 225/19, 21, 24, 37, 38, 39, 45, 56, 65, 77, 89, 34; D9/341; D19/65, 75, 67, 68, 69**

D. 283,789 5/1986 Kodousek et al. D9/341
2,304,312 12/1942 Meglitz D6/518
3,502,252 3/1970 Mariani 225/38
4,527,722 7/1985 Strachan D19/67 X

Primary Examiner—Martie Thompson

Attorney, Agent, or Firm—Charles J. Prescott

[57] **CLAIM**

The ornamental design for a tape dispenser, as shown and described.

DESCRIPTION

FIG. 1 is a perspective view of a tape dispenser showing our new design with its movable cover in an open position;

FIG. 2 is a perspective view of the tape dispenser of FIG. 1 showing the cover in a closed position;

FIG. 3 is a right end elevation view of FIG. 2, the left side elevation view being a mirror image thereof;

FIG. 4 is a front elevational view of FIG. 2; and,

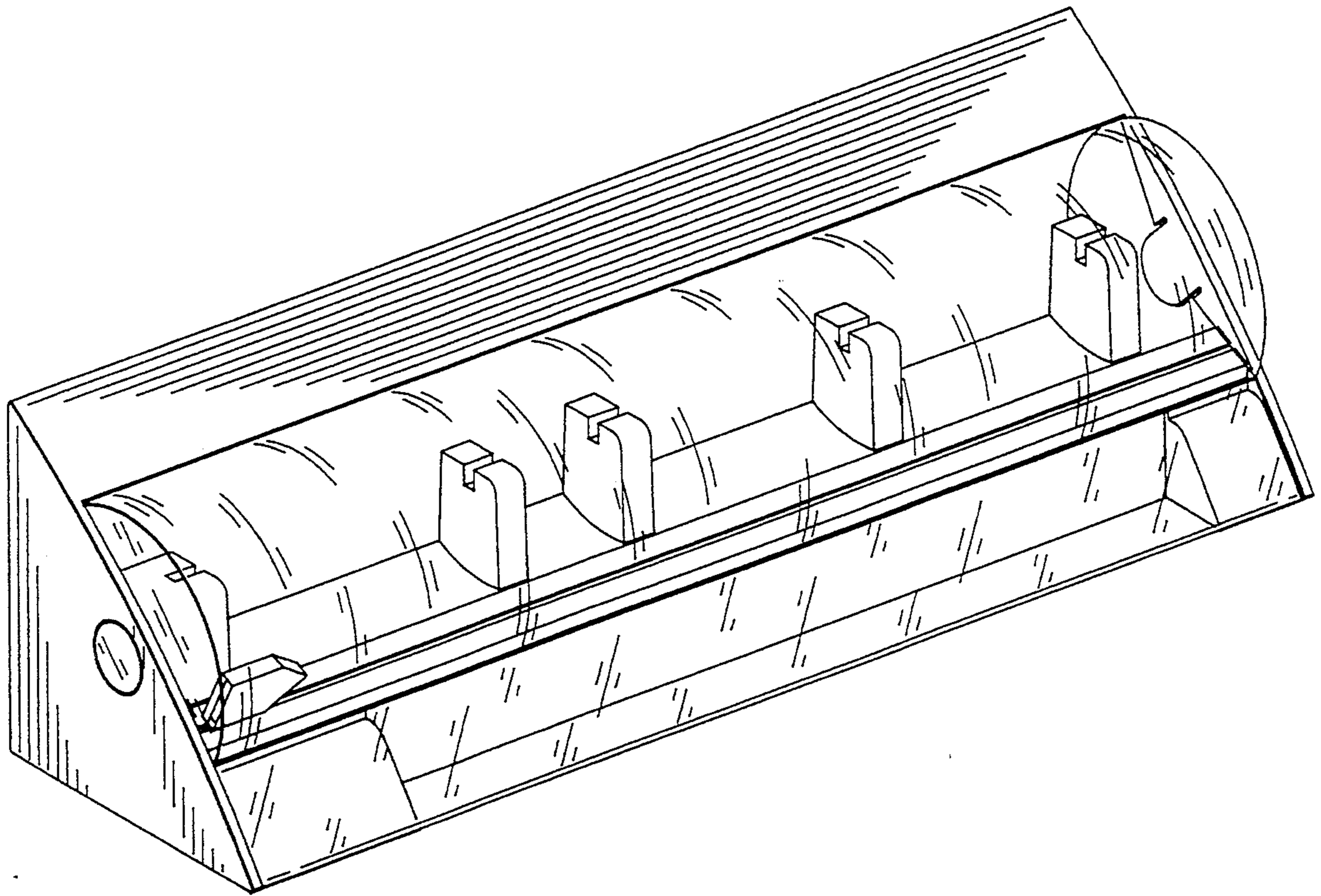
FIG. 5 is a top plan view of FIG. 2.

The bottom and rear of the article are plain and unornamented.

[56] **References Cited**

U.S. PATENT DOCUMENTS

D. 99,560 5/1936 Greuter D6/472
D. 183,867 11/1958 Wagner D19/69
D. 197,413 1/1964 Castelli D19/69
D. 231,495 4/1974 Saltz D19/75



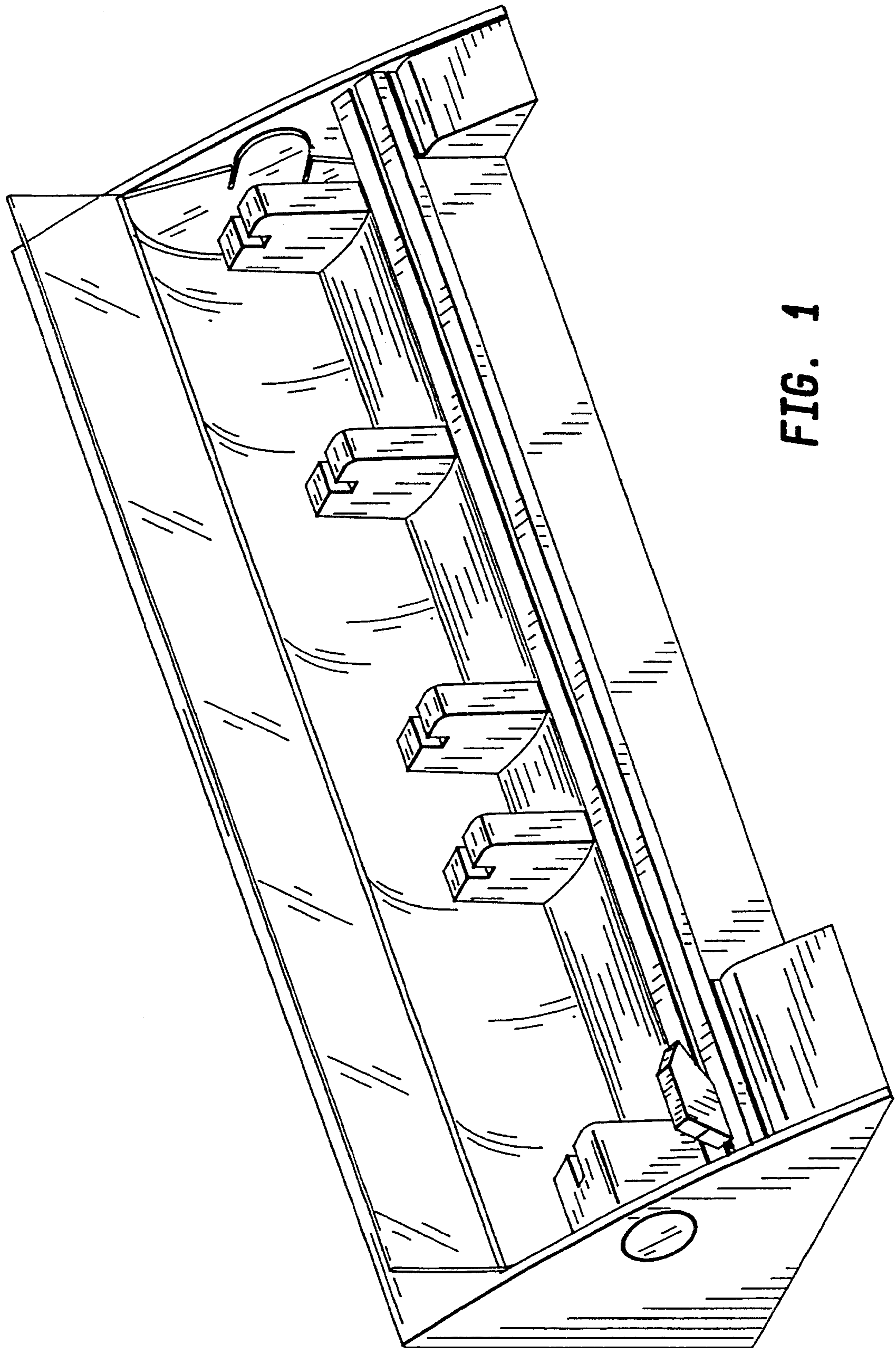


FIG. 1

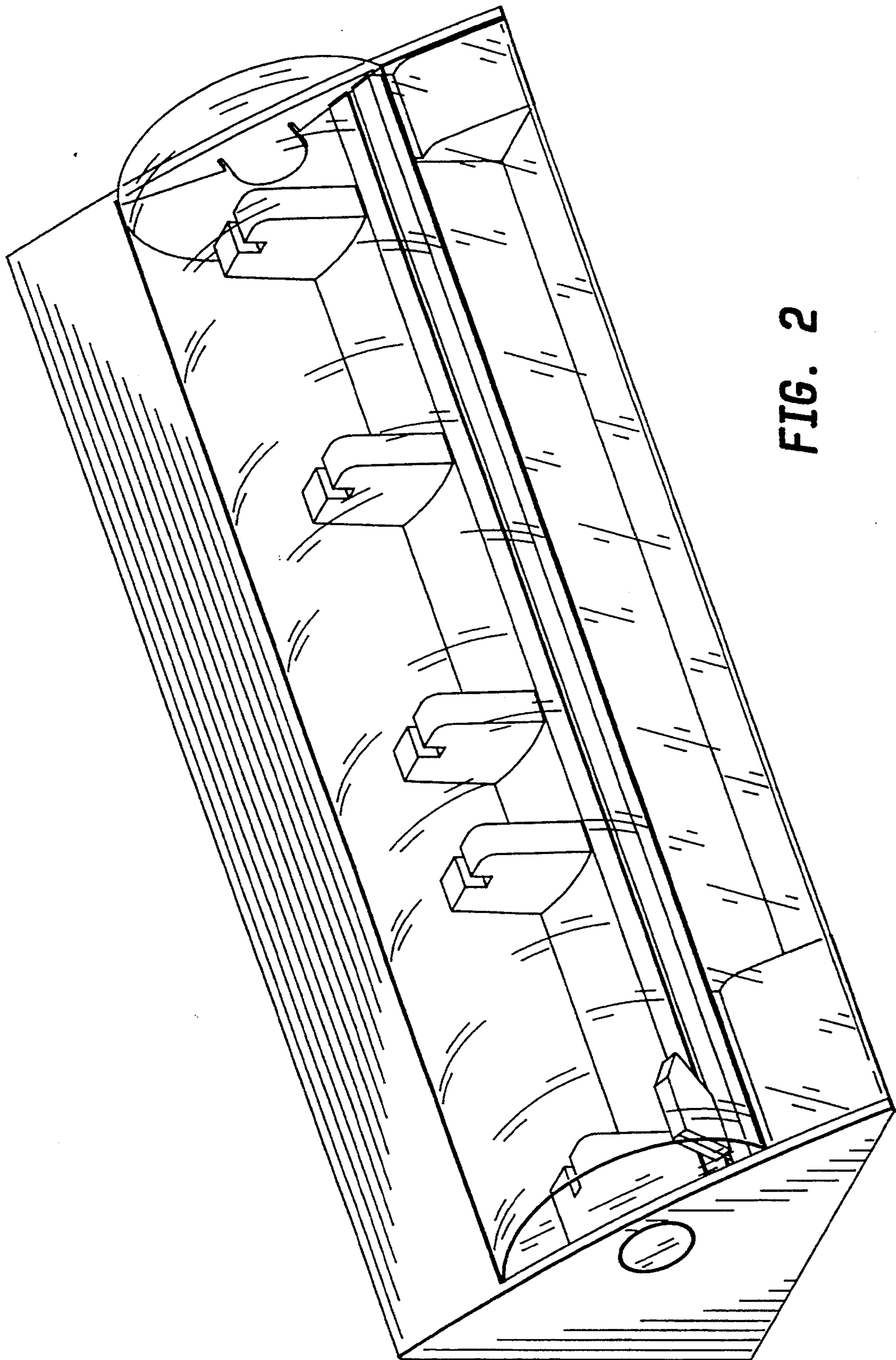


FIG. 2

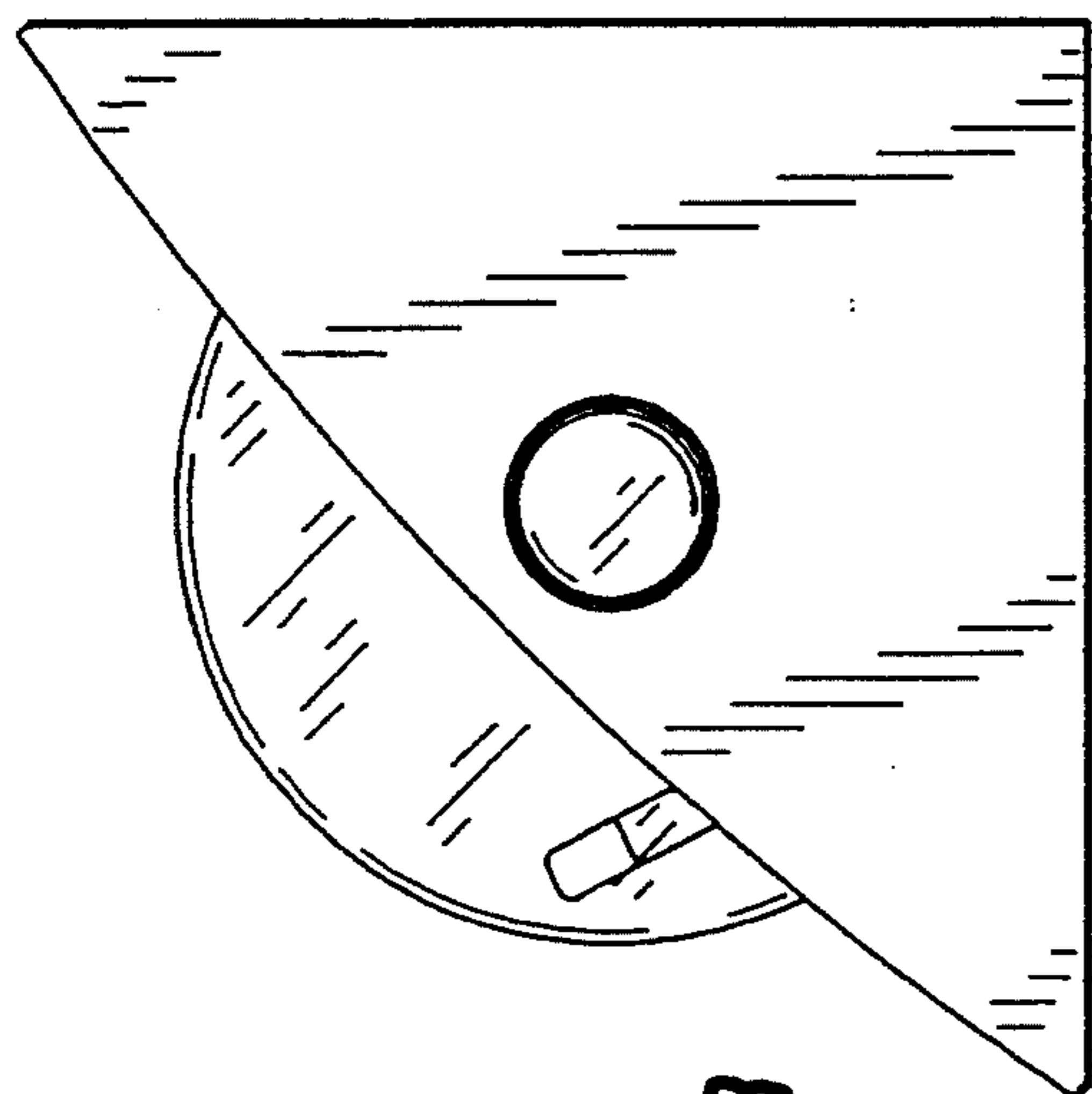


FIG. 3

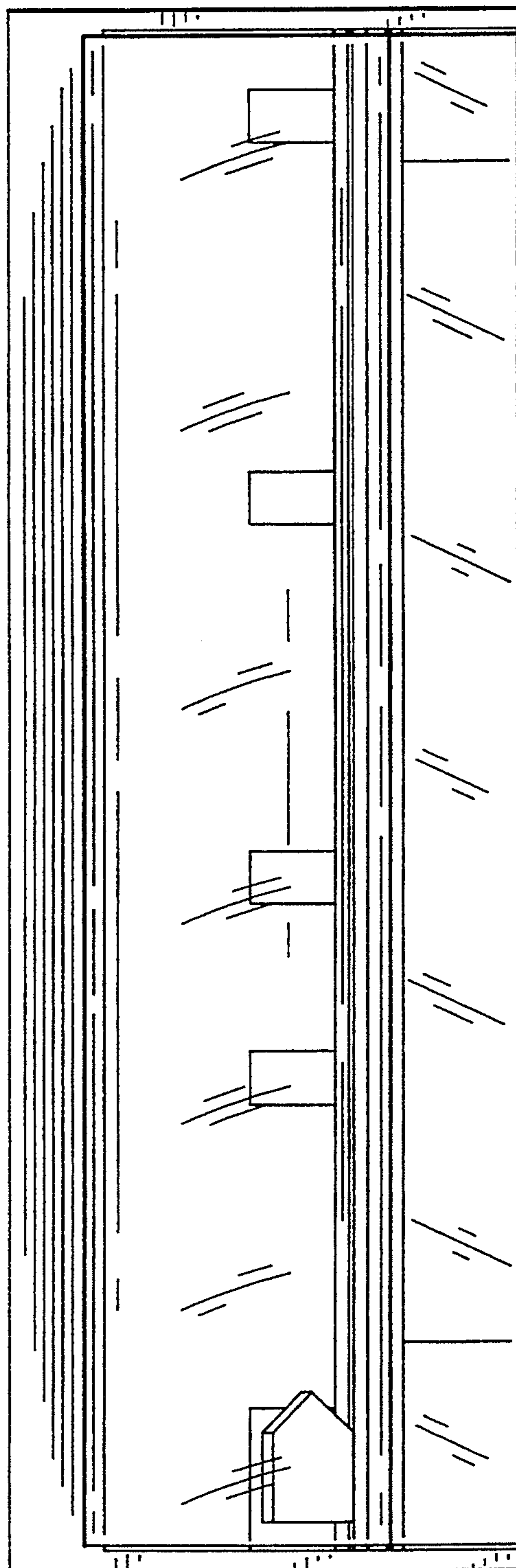


FIG. 4

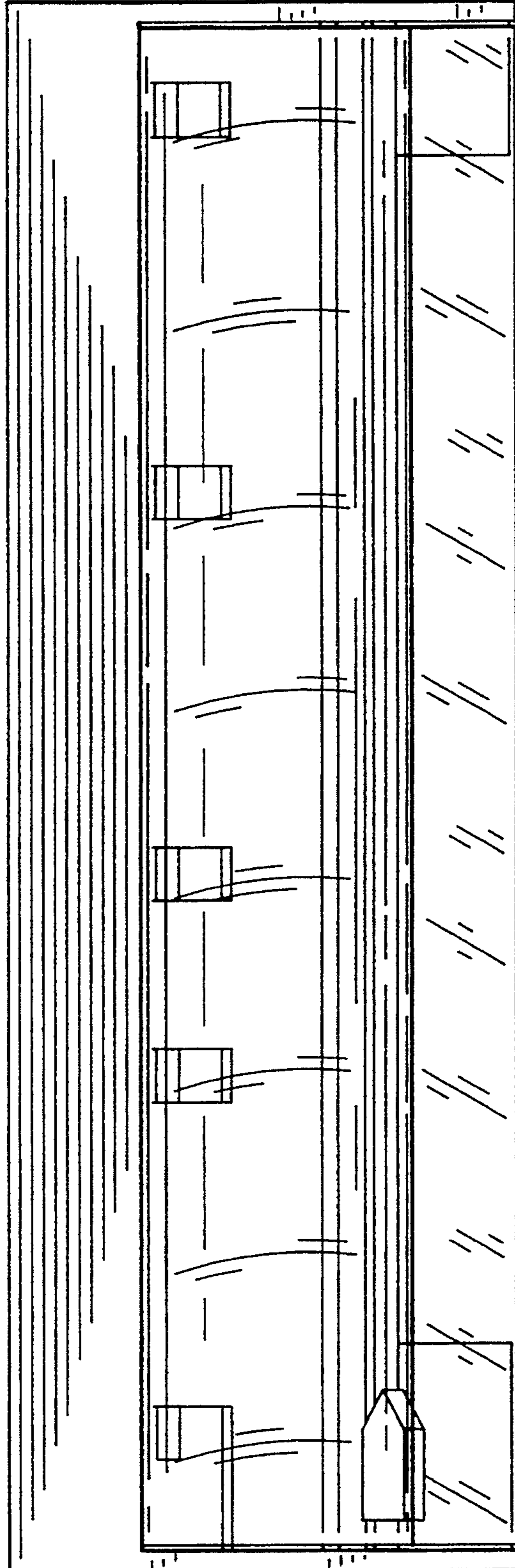


FIG. 5