



US00D351858S

United States Patent [19]

[11] Patent Number: **Des. 351,858**

Jones

[45] Date of Patent: **** Oct. 25, 1994**

[54] RULER TEACHING APPARATUS

4,144,657 3/1979 Dumovich 434/187

[76] Inventor: **John J. Jones**, 410 Washington, St.
Joe, Ind. 46785

FOREIGN PATENT DOCUMENTS

1226055 of 1971 United Kingdom 434/187

[**] Term: **14 Years**

OTHER PUBLICATIONS

[21] Appl. No.: **5,388**

Cenco Educational Catalog, 1969, p. 1, Element #72695.

[22] Filed: **Mar. 3, 1993**

Welch Physics Digest, Apr. 1951 p. 27 Vernier Caliper on top of page.

[52] U.S. Cl. **D19/64; D10/71**

[58] Field of Search 434/187, 200; 33/483,
33/486, 487; D19/59-64, 37, 40; D10/70, 71,
72

Primary Examiner—Wallace R. Burke
Assistant Examiner—Pamela Burgess
Attorney, Agent, or Firm—George Pappas

[56] References Cited

[57] CLAIM

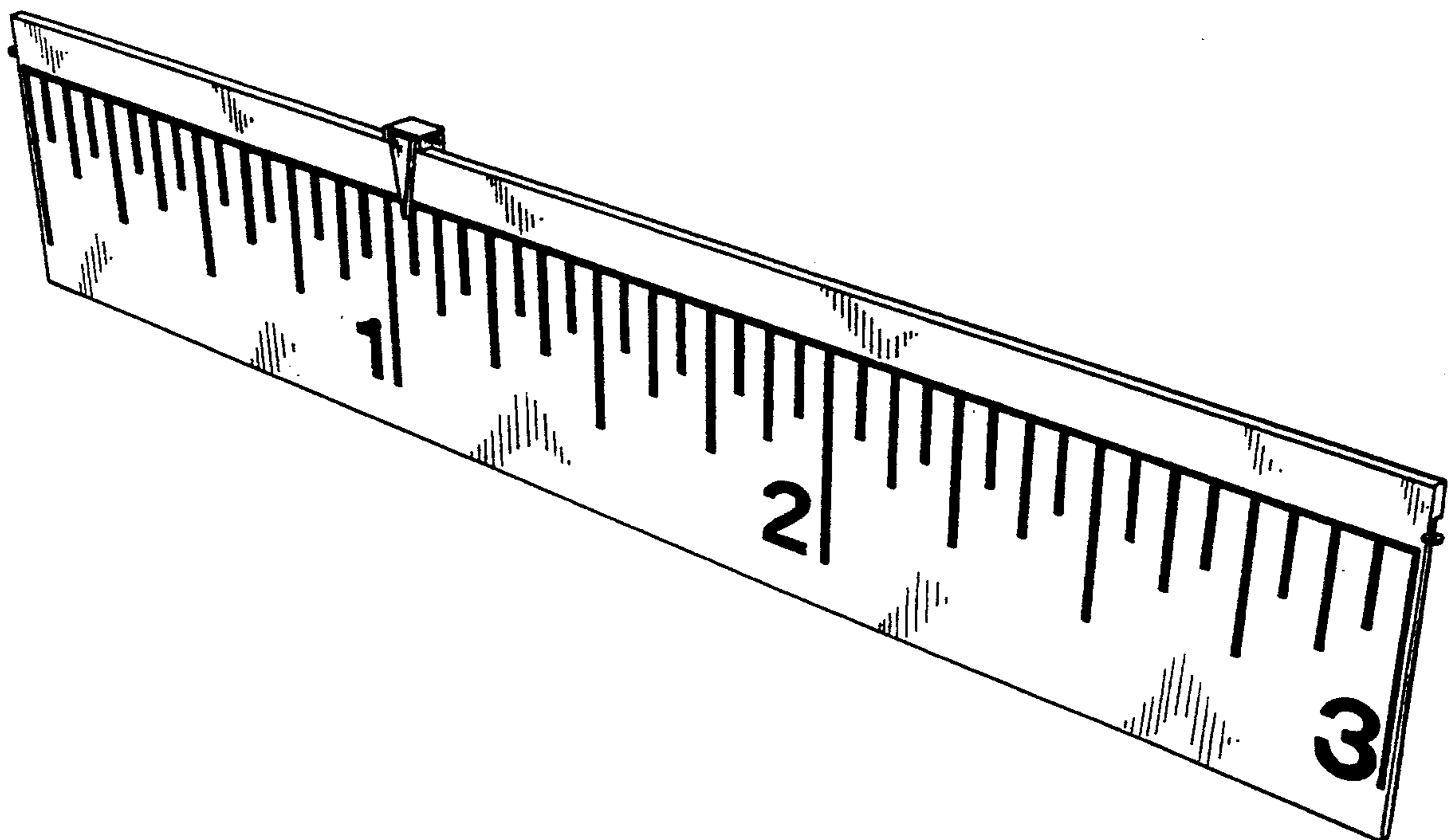
U.S. PATENT DOCUMENTS

The ornamental design of a ruler teaching apparatus, as shown and described.

D. 206,551	12/1966	Nystrom	D10/71 X
D. 229,223	11/1973	Corn	D10/71
D. 288,538	3/1987	Cabaniss, III	D10/64 X
D. 290,397	6/1987	Starkey	D10/71 X
D. 339,305	9/1993	Klein	D10/71
703,208	6/1902	Lawrence	D10/71
747,380	12/1903	Cooke	33/483
1,659,739	2/1928	Kuhlman	33/486
1,699,847	1/1929	Kuhlman	33/486
1,888,305	11/1932	Berger	33/487
2,291,552	7/1942	Lalonde	33/486
2,402,658	6/1946	Nedela	33/486
2,422,745	6/1947	Ost	33/486
2,456,676	12/1948	Chowns	33/486
3,258,844	7/1966	Godman	33/486
3,465,453	9/1969	Sganga	434/187 X
3,837,569	9/1974	Bradbury et al.	434/187 X
3,949,491	4/1976	Harte	434/194

DESCRIPTION

FIG. 1 is a top perspective view of a ruler teaching apparatus showing my new design;
FIG. 2 is a front elevational view of the ruler teaching apparatus according to the present invention;
FIG. 3 is a rear elevational view of the ruler teaching apparatus according to the present invention;
FIG. 4 is a top plan view of the ruler teaching apparatus according to the present invention;
FIG. 5 is a bottom plan view of the ruler teaching apparatus according to the present invention;
FIG. 6 is a left side elevational view of the ruler teaching apparatus according to the present invention; and,
FIG. 7 is a right side elevational view of the ruler teaching apparatus according to the present invention.



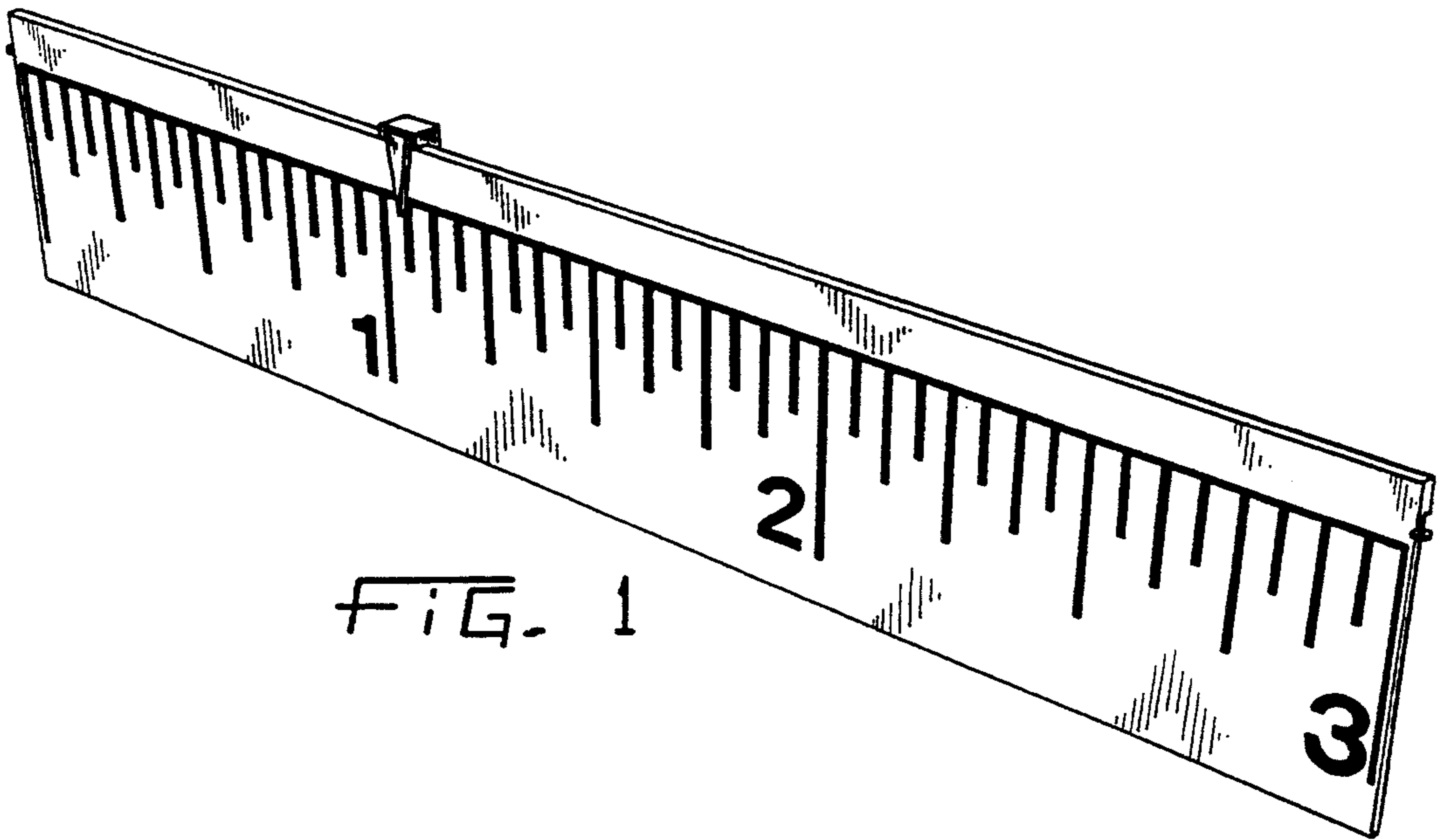


FIG. 1

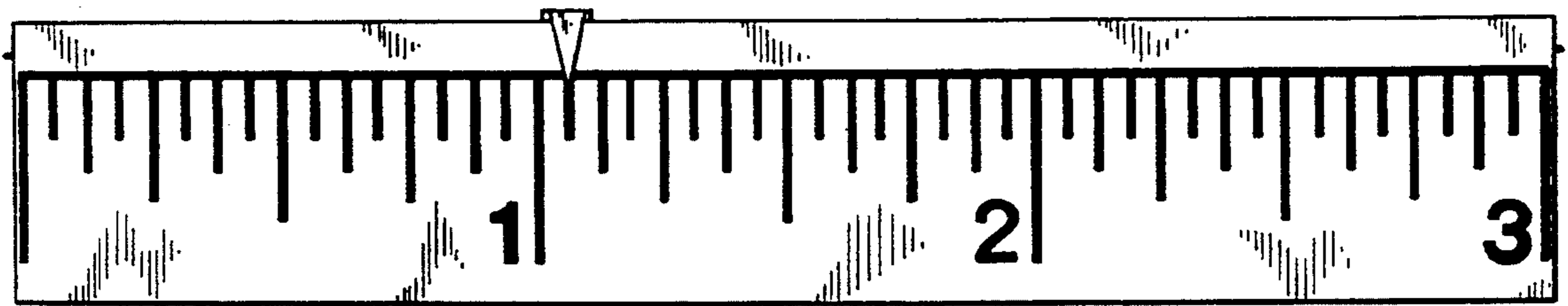


FIG. 2

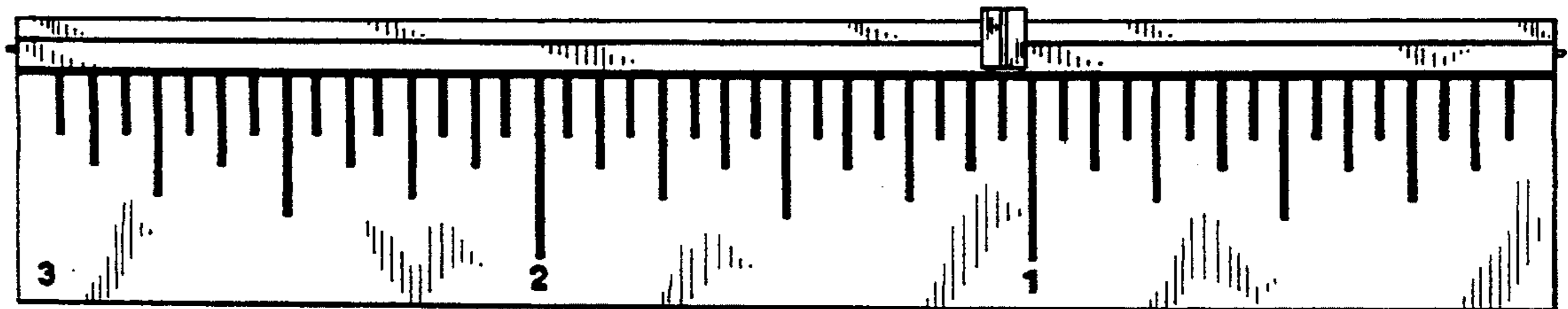


FIG. 3

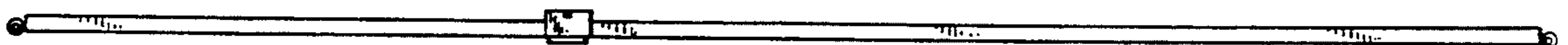


FIG. 4

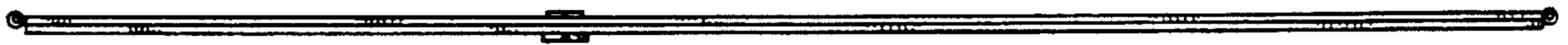


FIG. 5



FIG. 6



FIG. 7