



US00D351856S

# United States Patent [19]

Watanabe et al.

[11] Patent Number: **Des. 351,856**

[45] Date of Patent: **\*\* Oct. 25, 1994**

[54] **PRINTING HEAD BODY FOR PRINTER**

5,187,498 2/1993 Burger ..... 346/140 R

[75] Inventors: **Kenjiro Watanabe, Tokyo; Yasuo Kotaki; Masanori Takenouchi, both of Yokohama, all of Japan**

### FOREIGN PATENT DOCUMENTS

003958 1/1988 Japan ..... 346/140 R  
0004954 1/1988 Japan ..... 346/140 R  
0037954 2/1988 Japan ..... 346/140 R

[73] Assignee: **Canon Kabuushiki Kaisha, Tokyo, Japan**

*Primary Examiner*—Cathy Anne MacCormac  
*Attorney, Agent, or Firm*—Fitzpatrick, Cella, Harper & Scinto

[\*\*] Term: **14 Years**

[21] Appl. No.: **10,093**

### [57] CLAIM

[22] Filed: **Jun. 28, 1993**

The ornamental design for a printing head body for printer, as shown and described.

### [30] Foreign Application Priority Data

### DESCRIPTION

Dec. 29, 1992 [JP] Japan ..... 4-38903

[52] U.S. Cl. .... **D18/56**

[58] Field of Search ..... 400/208, 234;  
346/140 R; D18/12, 56

FIG. 1 is a front elevational view of a printing head body for printer showing our new design;  
FIG. 2 is a rear elevational view thereof;  
FIG. 3 is a top plan view thereof;  
FIG. 4 is a bottom plan view thereof;  
FIG. 5 is a left side elevational view thereof;  
FIG. 6 is a right side elevational view thereof; and,  
FIG. 7 is a perspective view thereof.

### [56] References Cited

#### U.S. PATENT DOCUMENTS

4,998,802 2/1991 Dion et al. .... 346/140 R  
5,162,817 11/1992 Tajika et al. .... 346/140 R

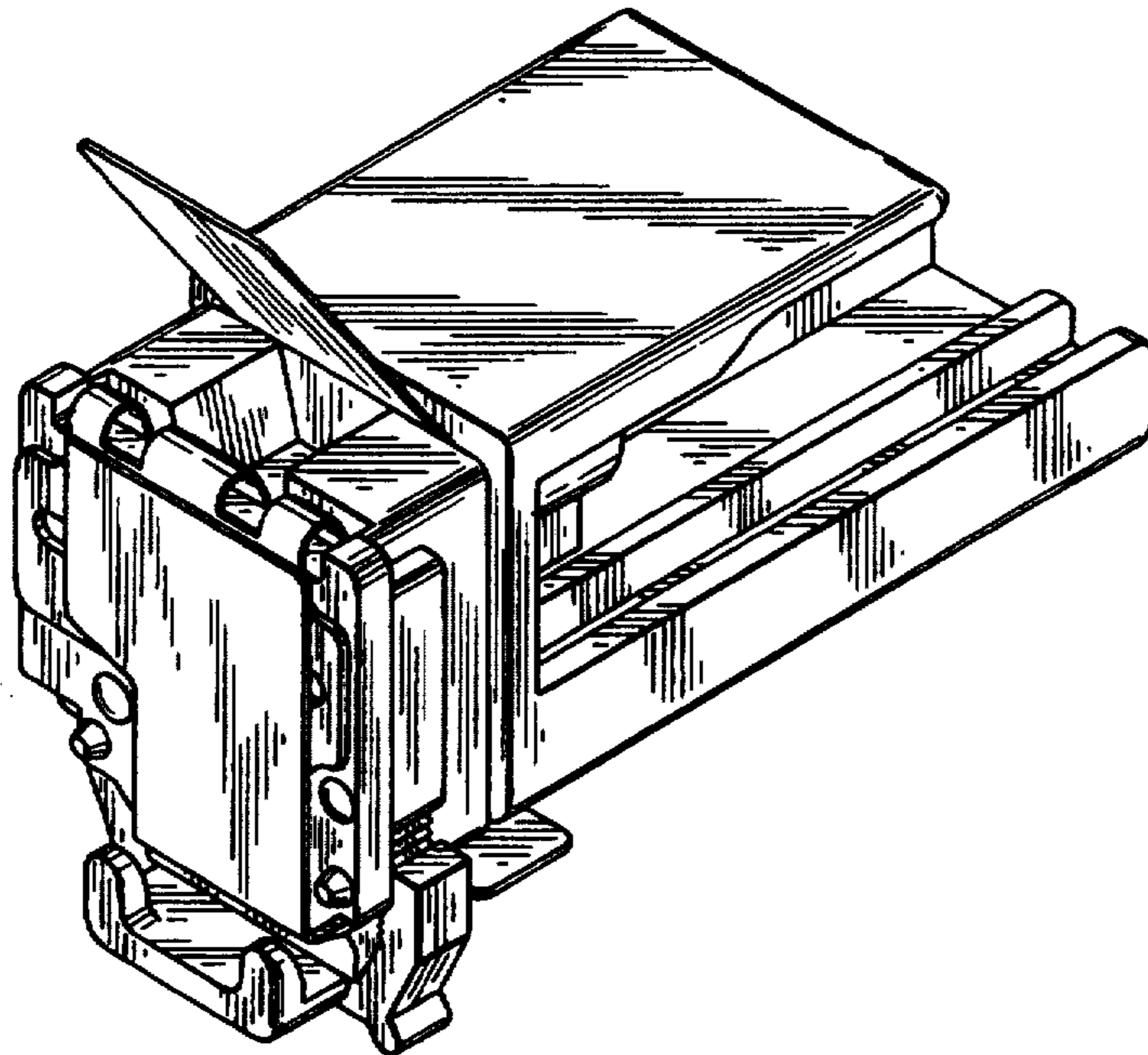


FIG. 1

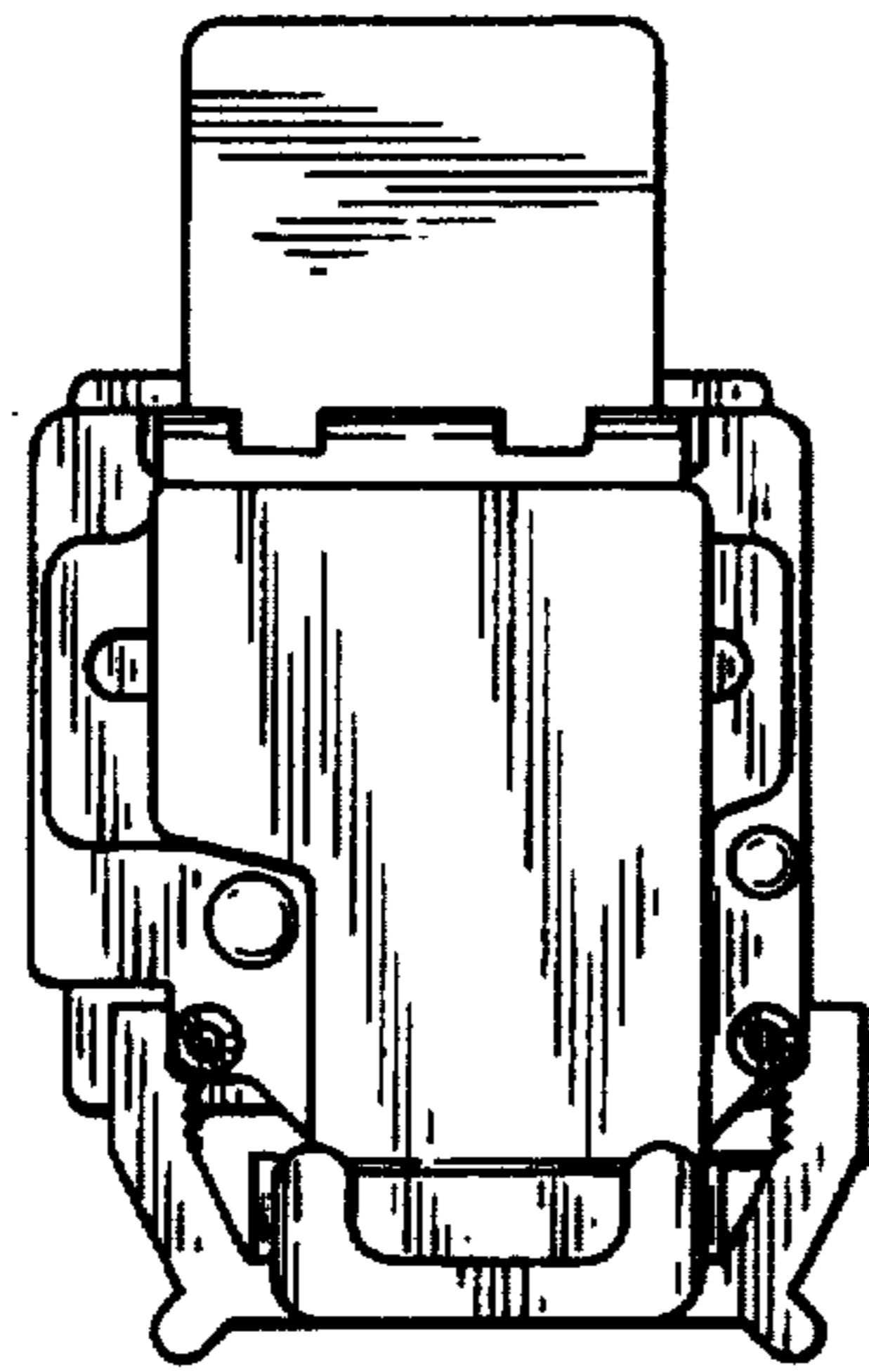


FIG. 2

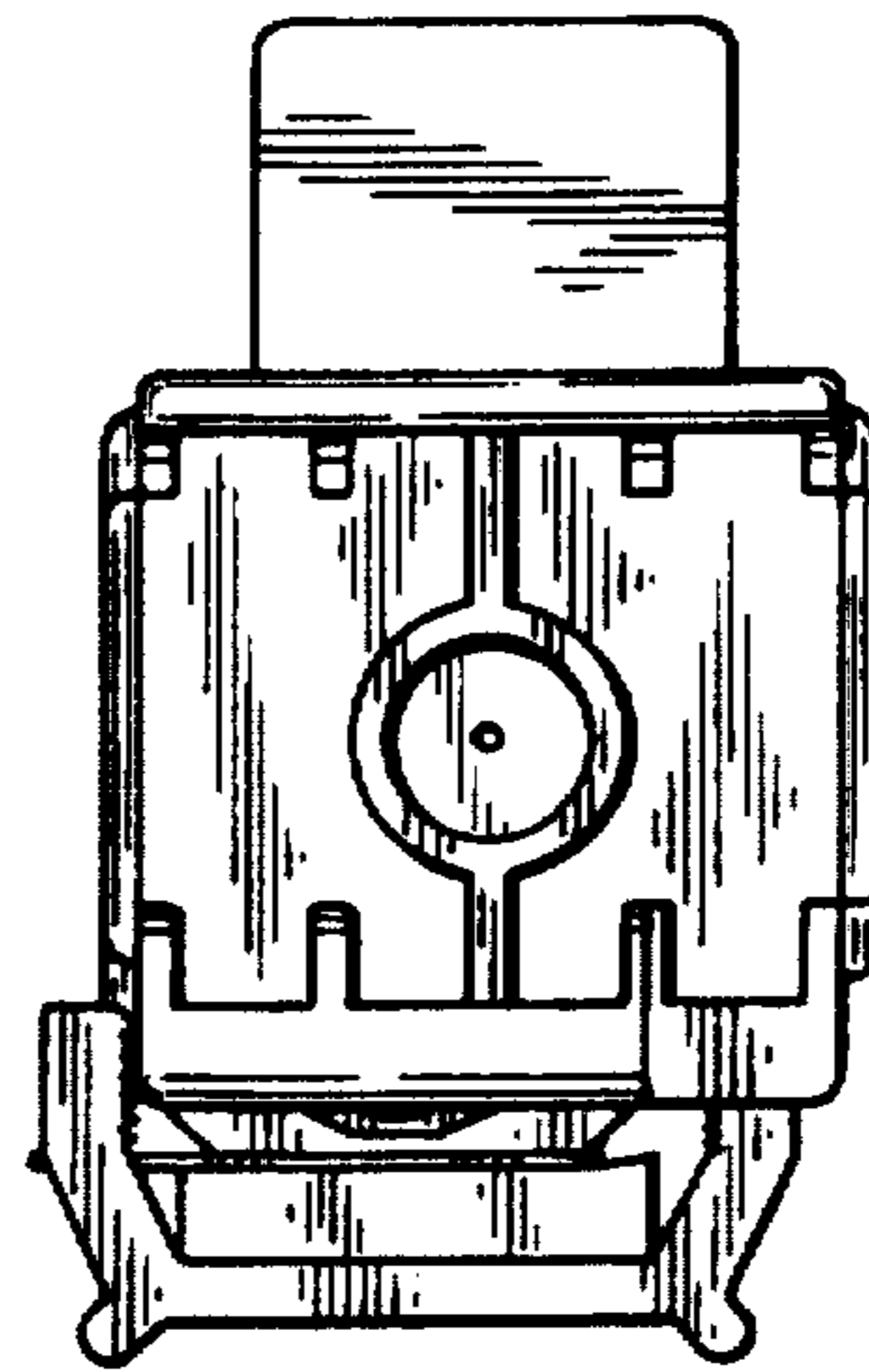


FIG. 3

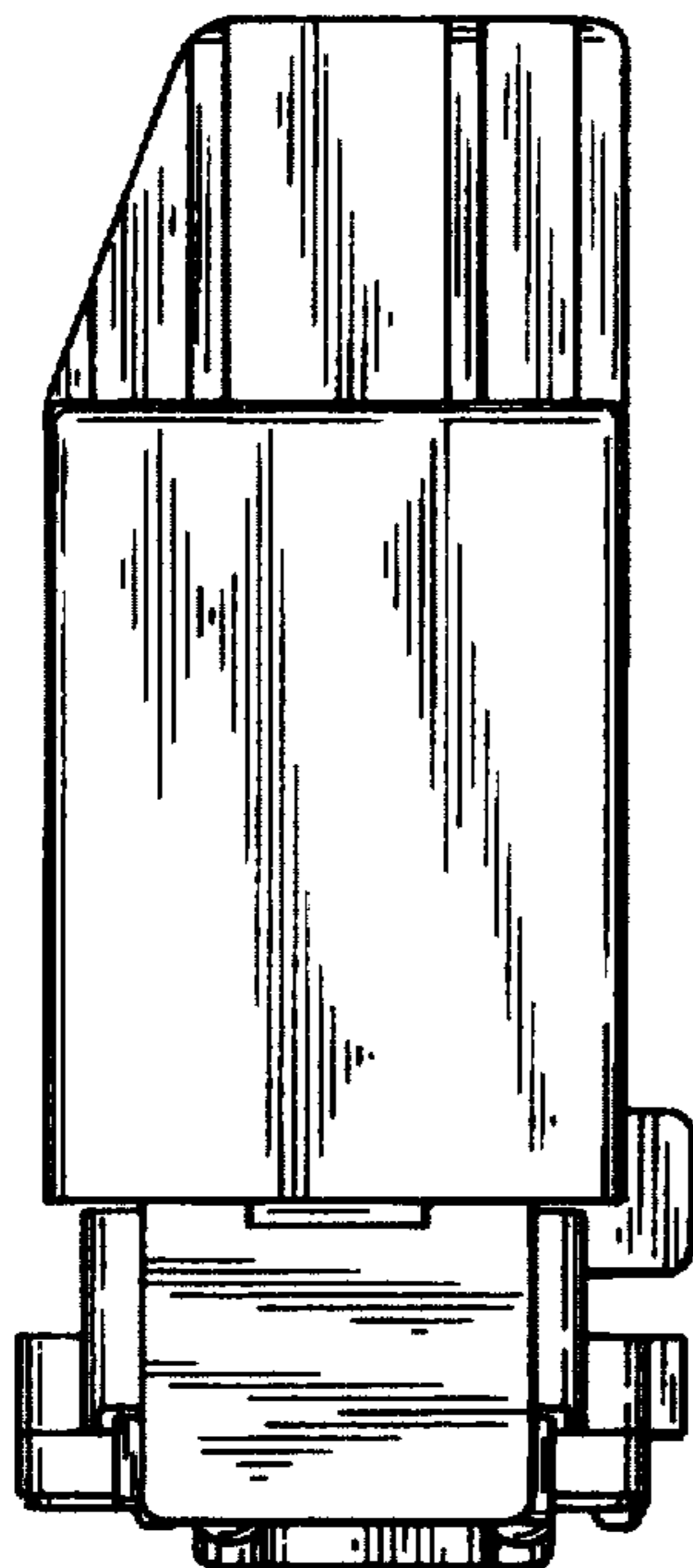


FIG. 4

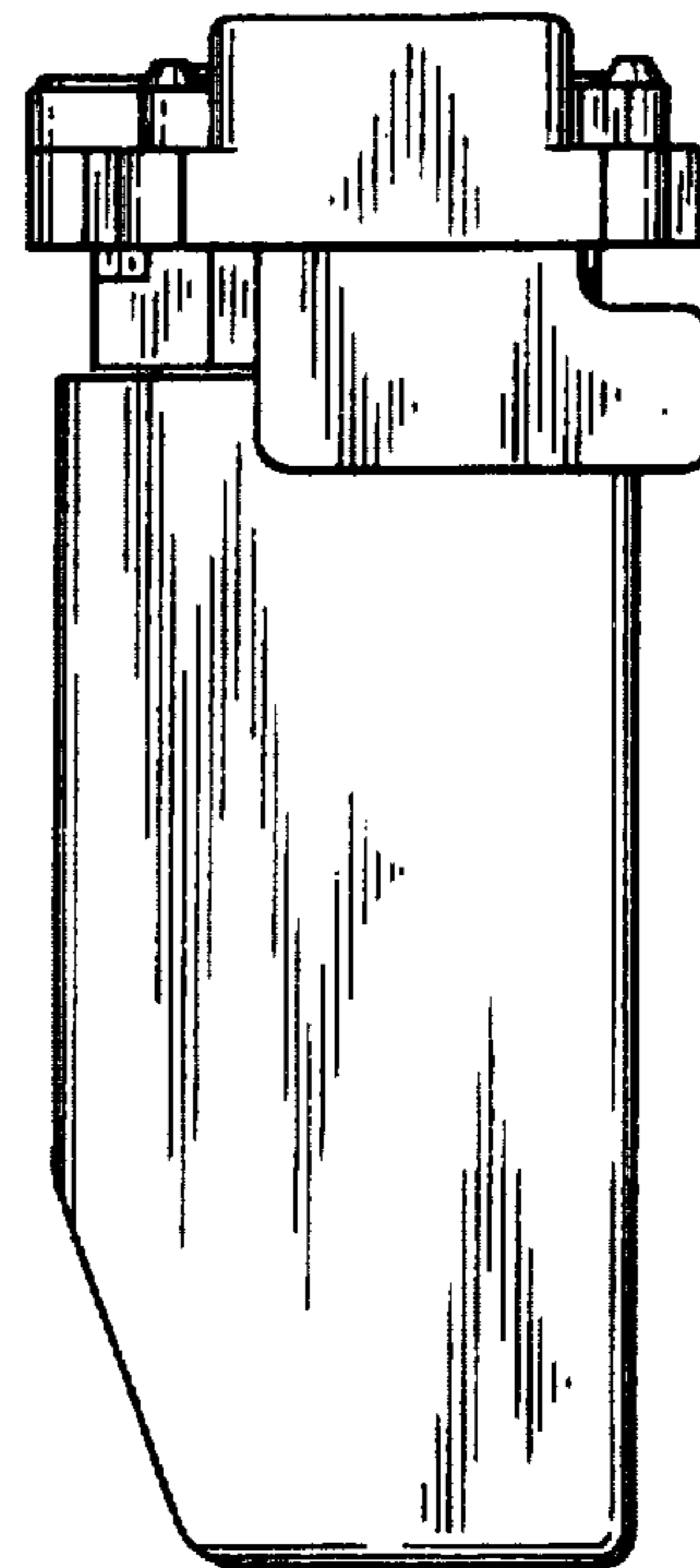


FIG. 5

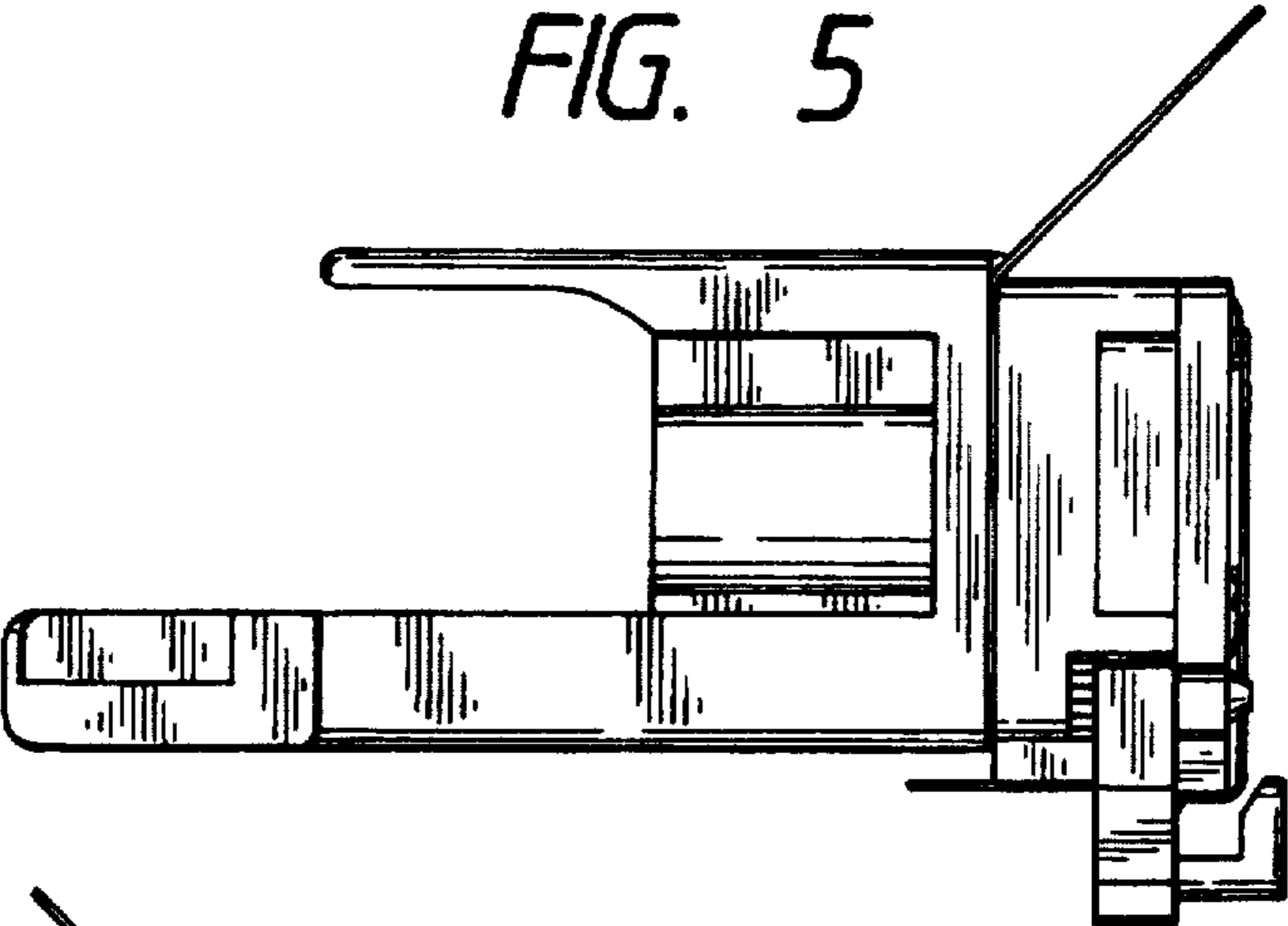


FIG. 6

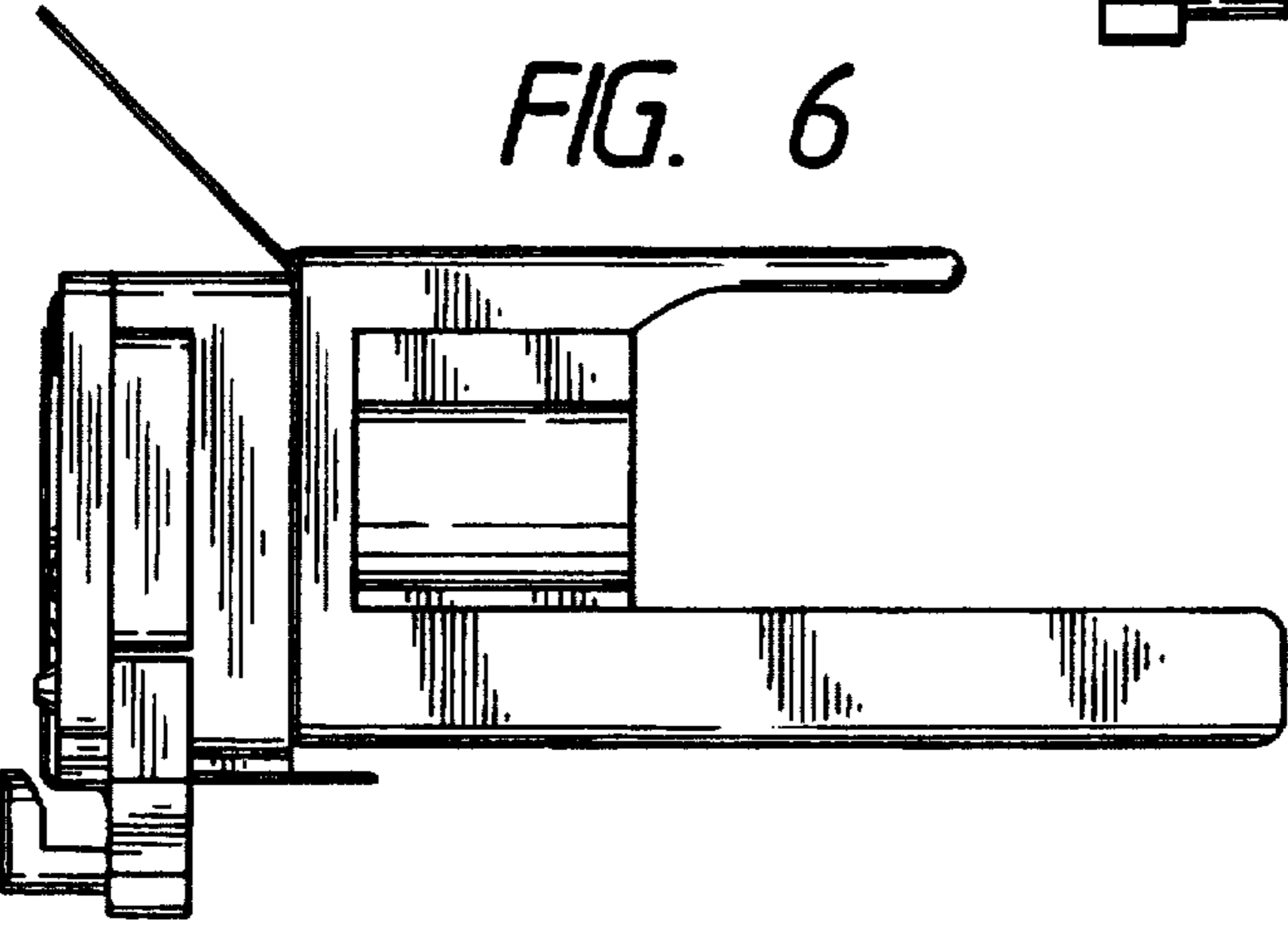
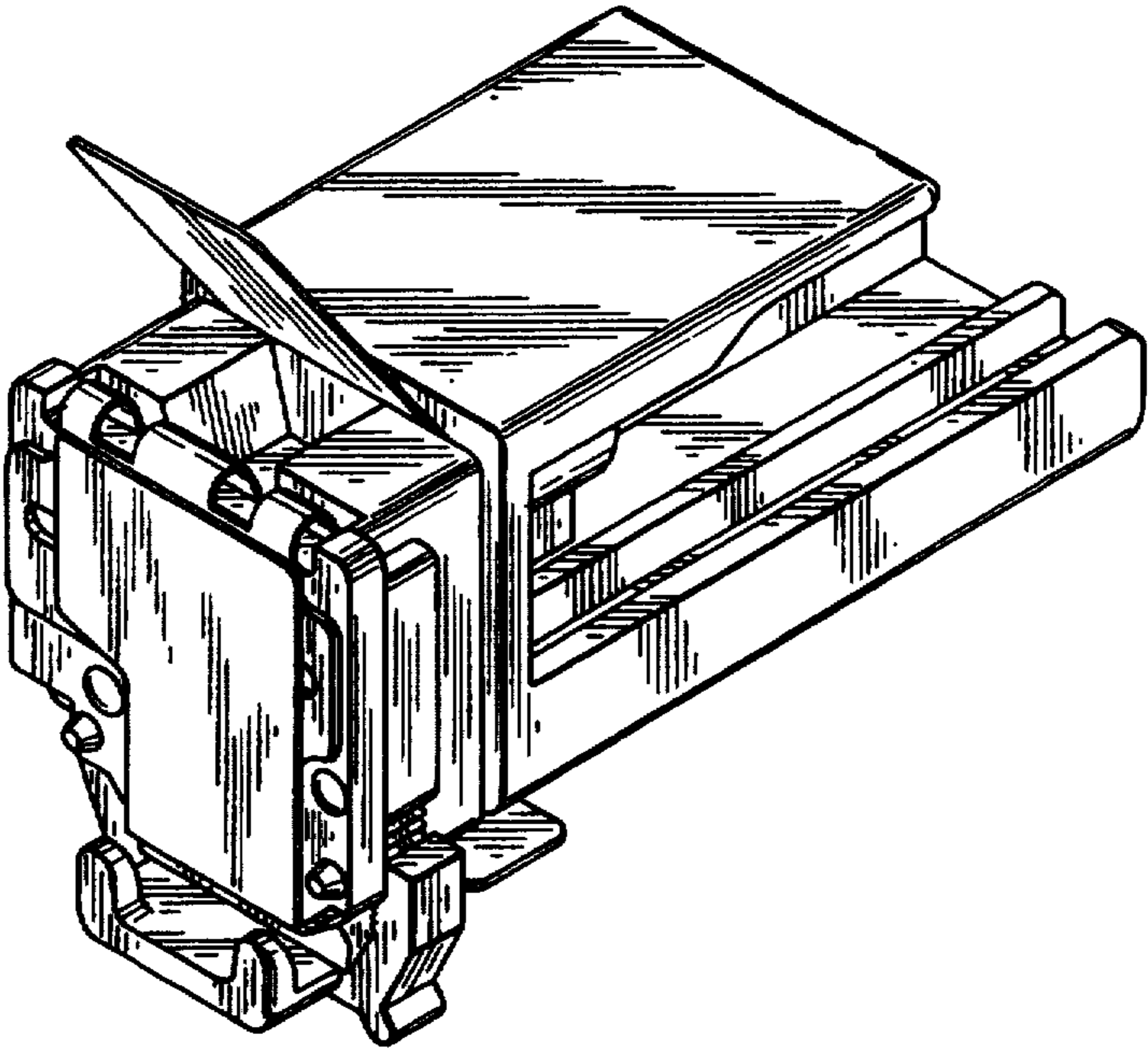


FIG. 7



UNITED STATES PATENT AND TRADEMARK OFFICE  
**CERTIFICATE OF CORRECTION**

PATENT NO. : Des. 351,856

DATED : October 25, 1994

INVENTOR : KENJIRO WATANABE, ET AL.

It is certified that errors appear in the above-identified patent and that said Letters Patent is hereby corrected as shown below:

Title Page:

[56] References Cited

U.S. PATENT DOCUMENTS, "4,998,802 2/1991 Dion et al.:  
should read -- 4,992,802 2/1991 Dion et al.--.

[73] Assignee:

"Canon Kabuushiki Kaisha" should read --Canon Kabushiki  
Kaisha--.

Signed and Sealed this  
Eighteenth Day of April, 1995

Attest:



BRUCE LEHMAN

Commissioner of Patents and Trademarks

Attesting Officer