



US00D351848S

United States Patent [19]

Yamazaki

[11] Patent Number: Des. 351,848

[45] Date of Patent: ** Oct. 25, 1994

[54] BALL BEARING FOR RECTILINEAR SLIDING

750593 8/1988 Japan .
310596 10/1992 Japan .
384126 10/1992 Japan .

[75] Inventor: Mitsuru Yamazaki, Ojiya, Japan

[73] Assignee: Nippon Bearing Co., Ltd., Niigata, Japan

[**] Term: 14 Years

[21] Appl. No.: 3,668

[22] Filed: Jan. 13, 1993

[52] U.S. Cl. D15/143

[58] Field of Search 29/898.03; 384/18, 40-43, 384/49, 25, 39; D15/143

[56] **References Cited**

U.S. PATENT DOCUMENTS

4,934,835 6/1990 Albert 384/43
5,102,235 4/1992 Muggiestone 381/43 X
5,131,125 7/1992 Coron 384/45 X

FOREIGN PATENT DOCUMENTS

602684 3/1983 Japan .
632524 6/1984 Japan .
731648 1/1988 Japan .
742459 5/1988 Japan .

Primary Examiner—Alan P. Douglas
Assistant Examiner—Antoine D. Davis
Attorney, Agent, or Firm—Sughrue, Mion, Zinn, Macpeak & Seas

[57] **CLAIM**

The ornamental design for a ball bearing for rectilinear sliding, as shown and described.

DESCRIPTION

FIG. 1 is an elevational view of a ball bearing for rectilinear sliding showing my new design;
FIG. 2 is a rear view thereof;
FIG. 3 is a cross-sectional view thereof taken on the line III—III of FIG. 6;
FIG. 4 is a top plan view thereof;
FIG. 5 is a bottom plan view thereof;
FIG. 6 is a right side view thereof;
FIG. 7 is a left side view thereof;
FIG. 8 is a cross-sectional view thereof taken on the line VII—VII of FIG. 1;
FIG. 9 is a cross-sectional view thereof taken on the line IX—IX of FIG. 1; and,
FIG. 10 is a perspective view thereof.

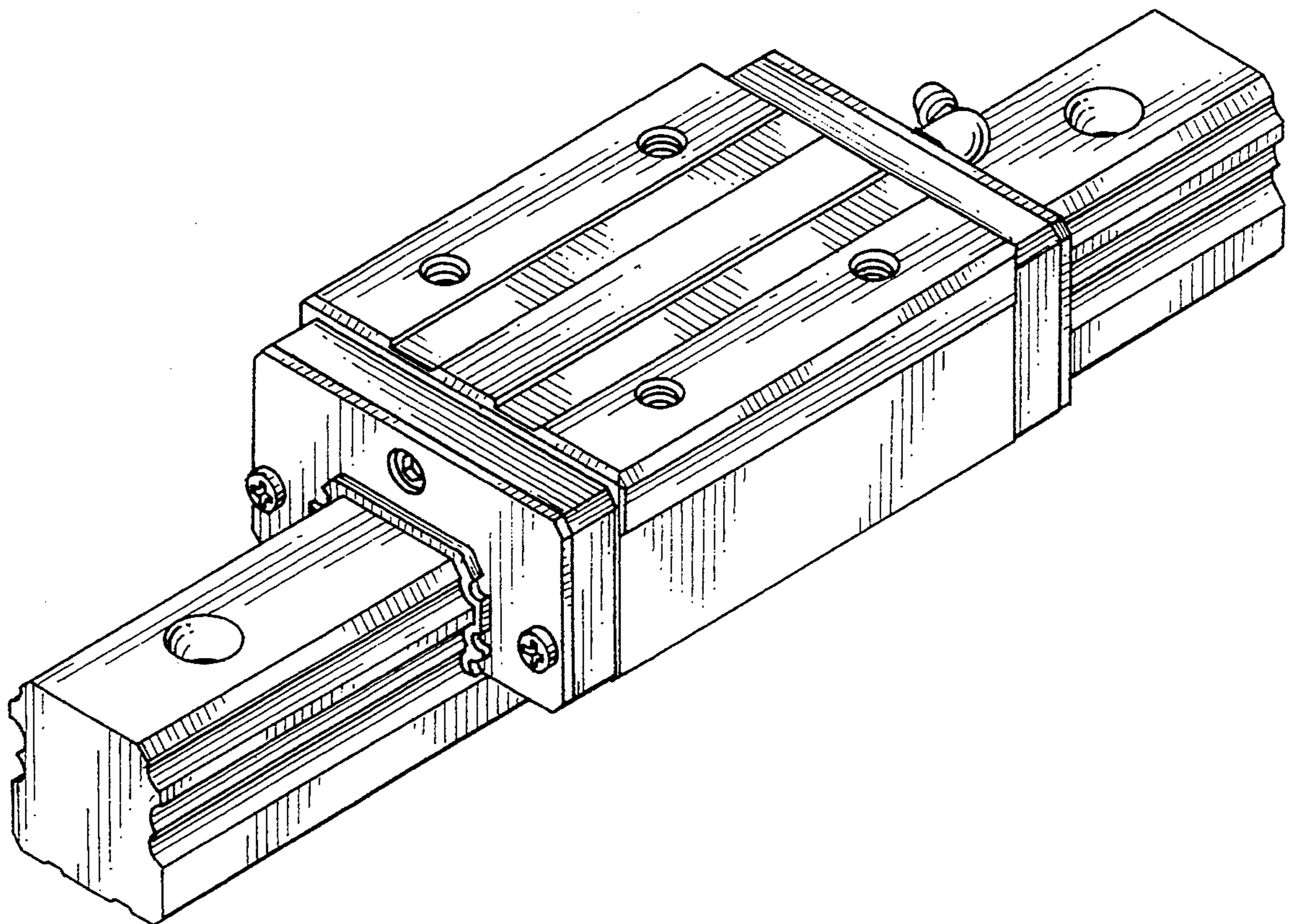


FIG. 1

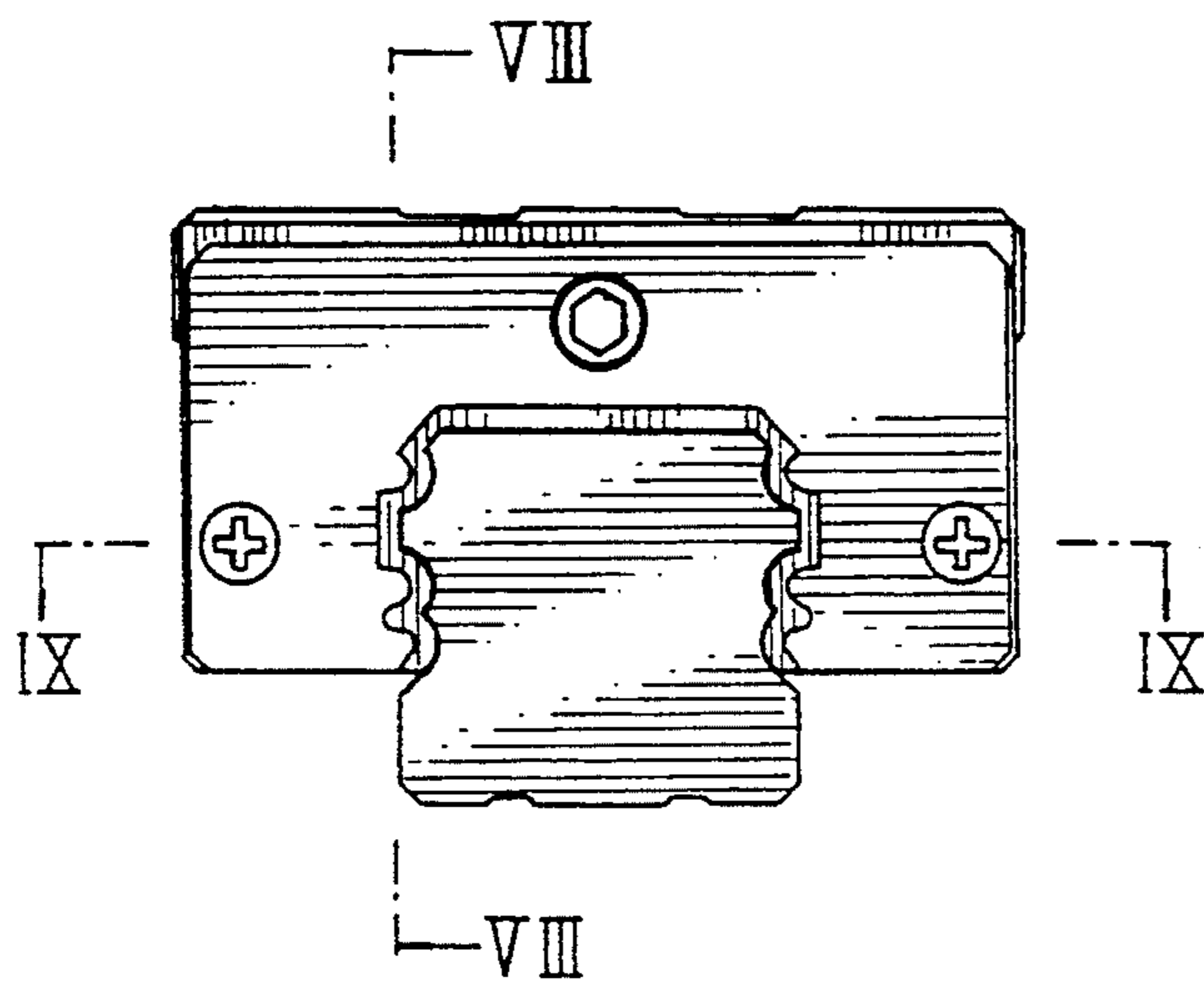


FIG. 2

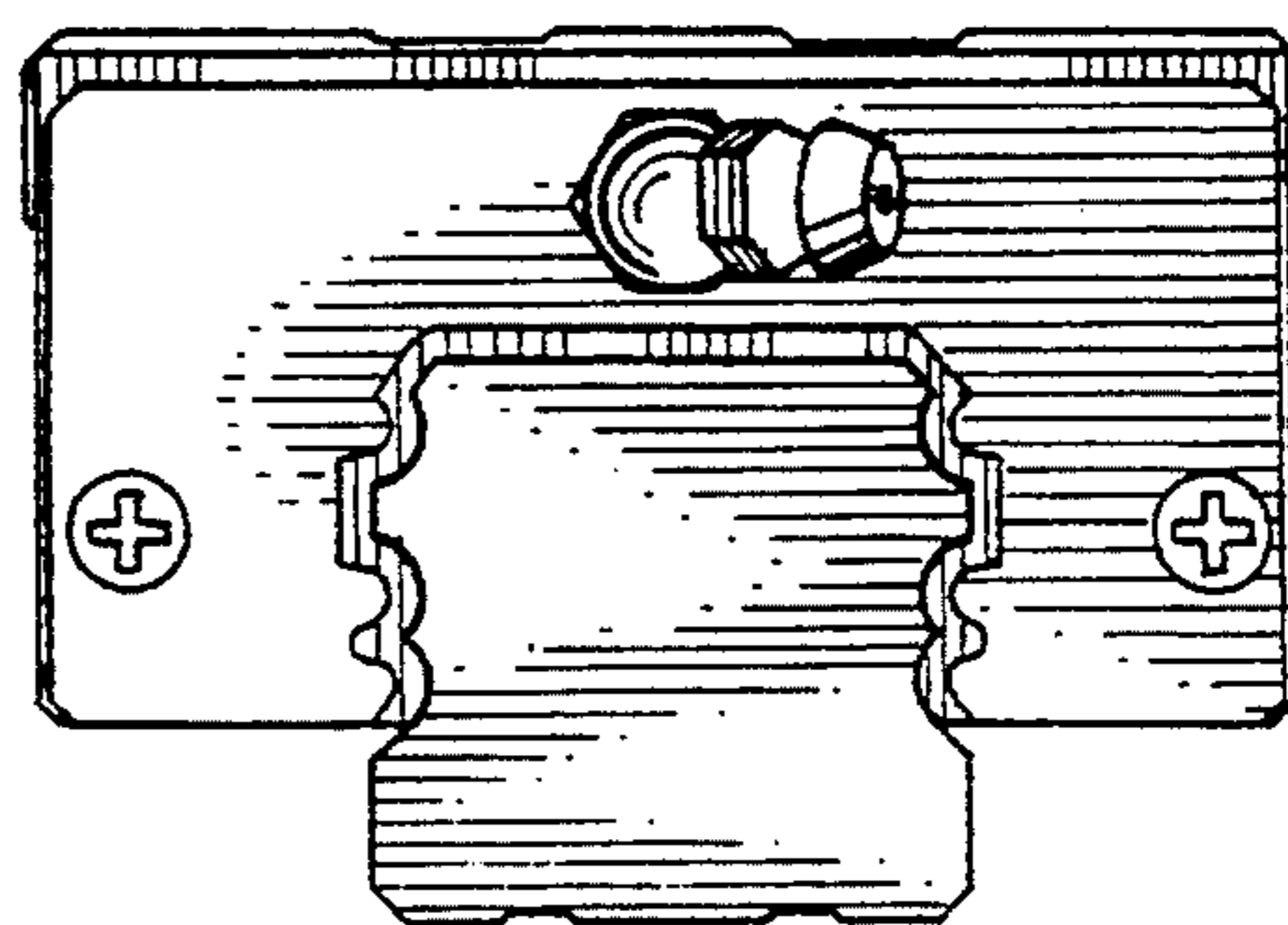


FIG. 3

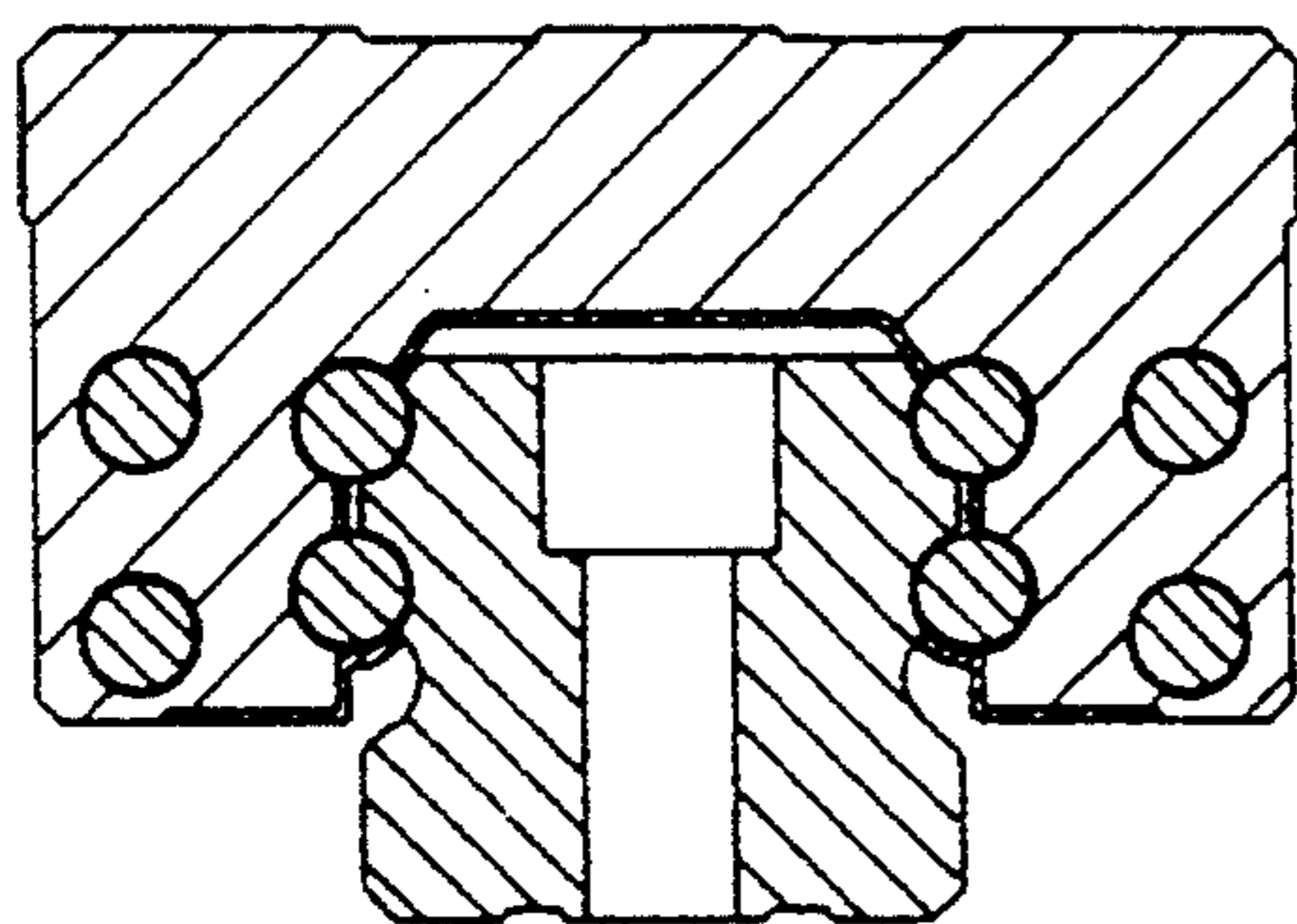


FIG. 4

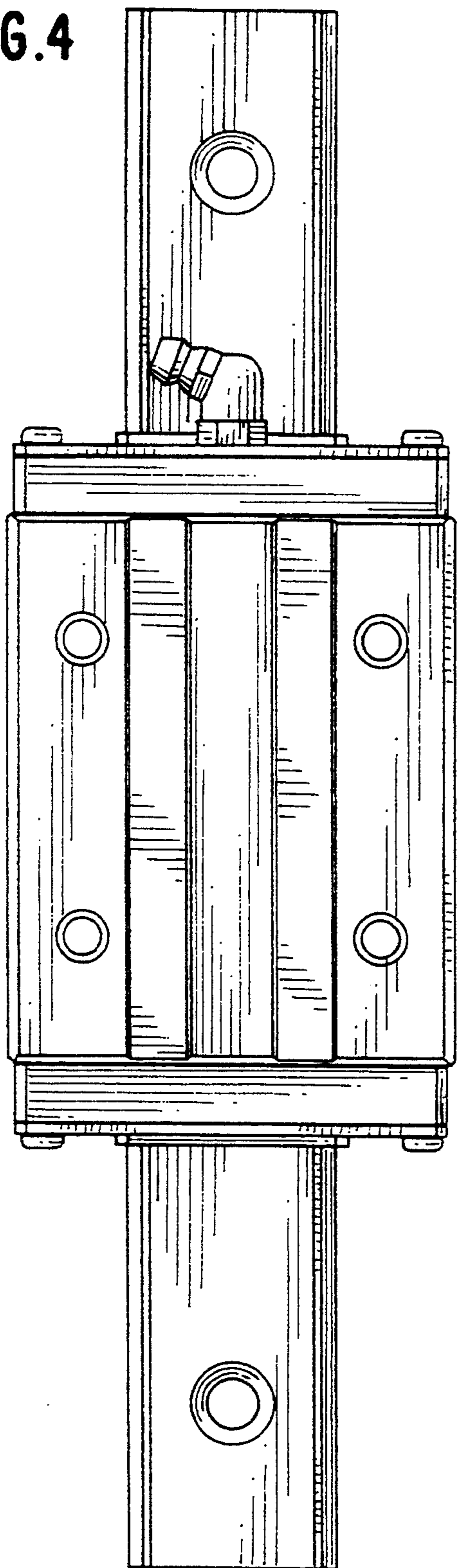
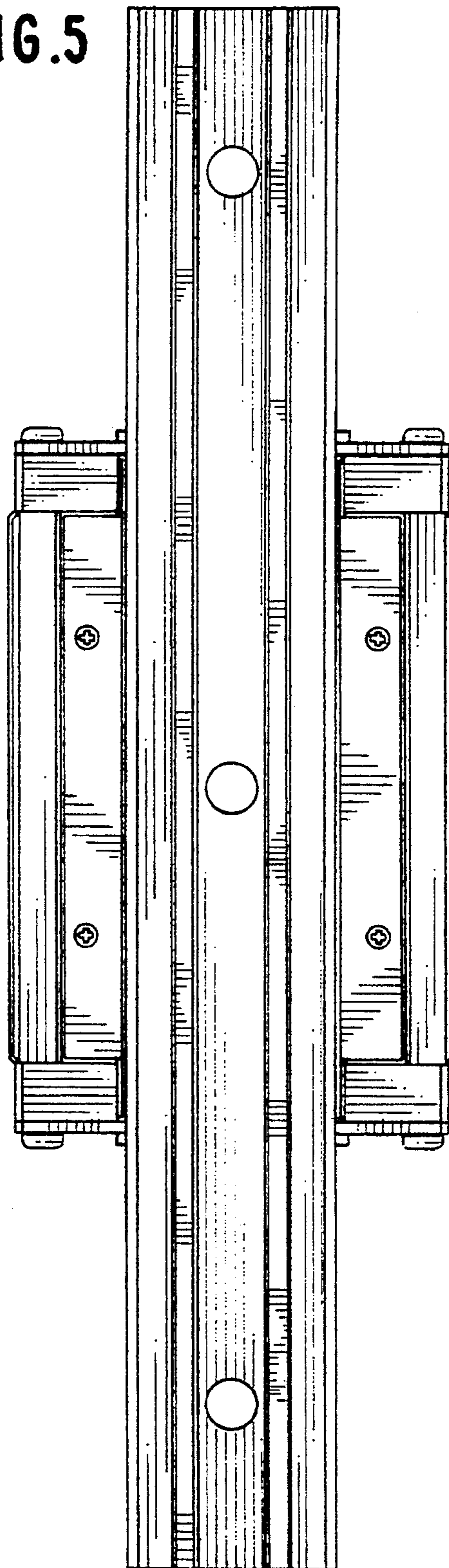


FIG. 5



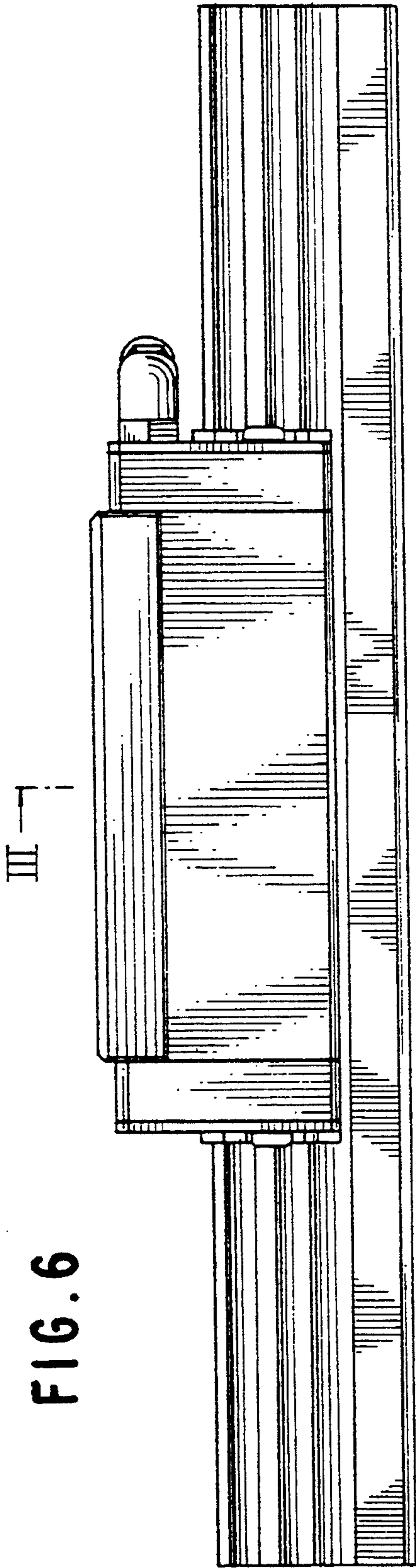


FIG. 6

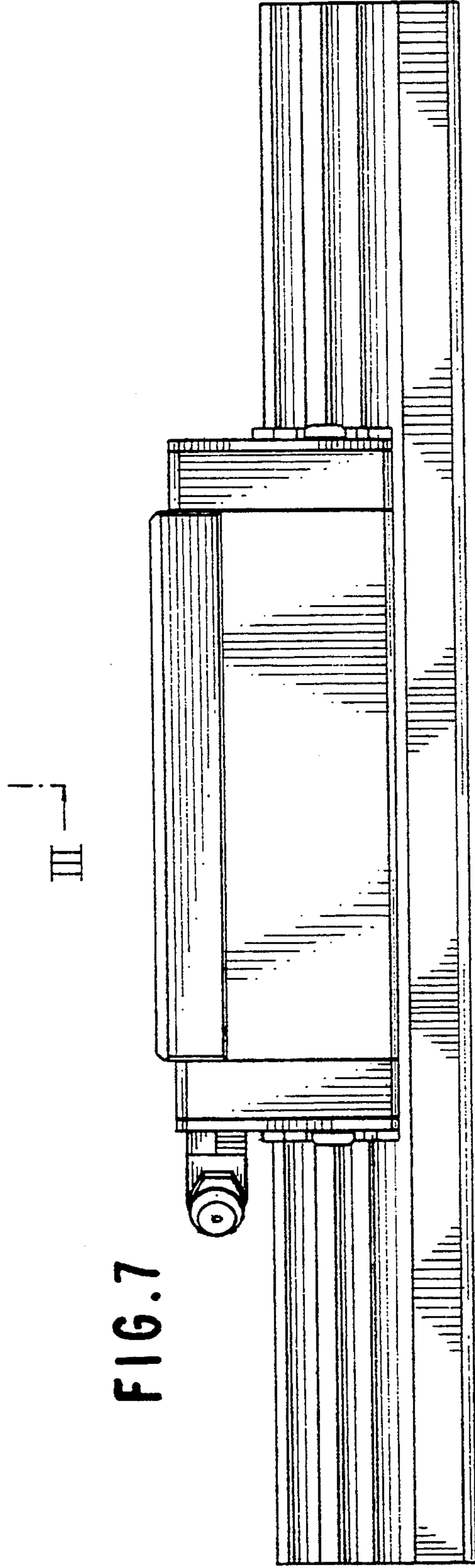


FIG. 7

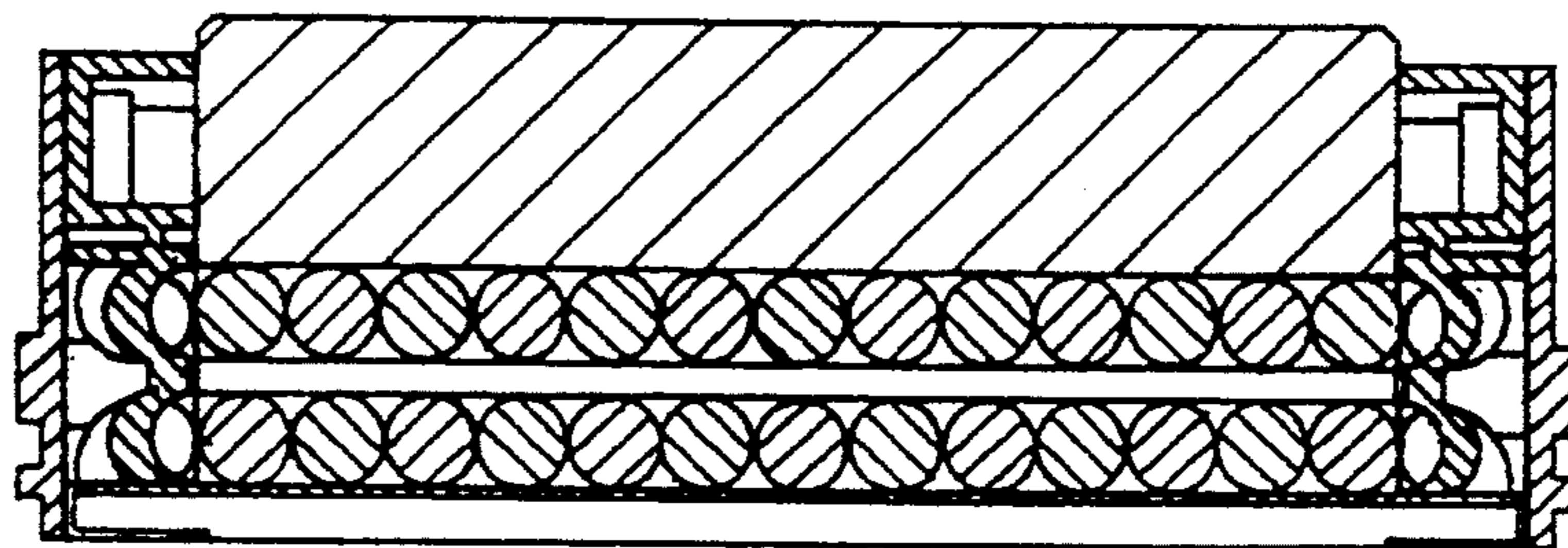
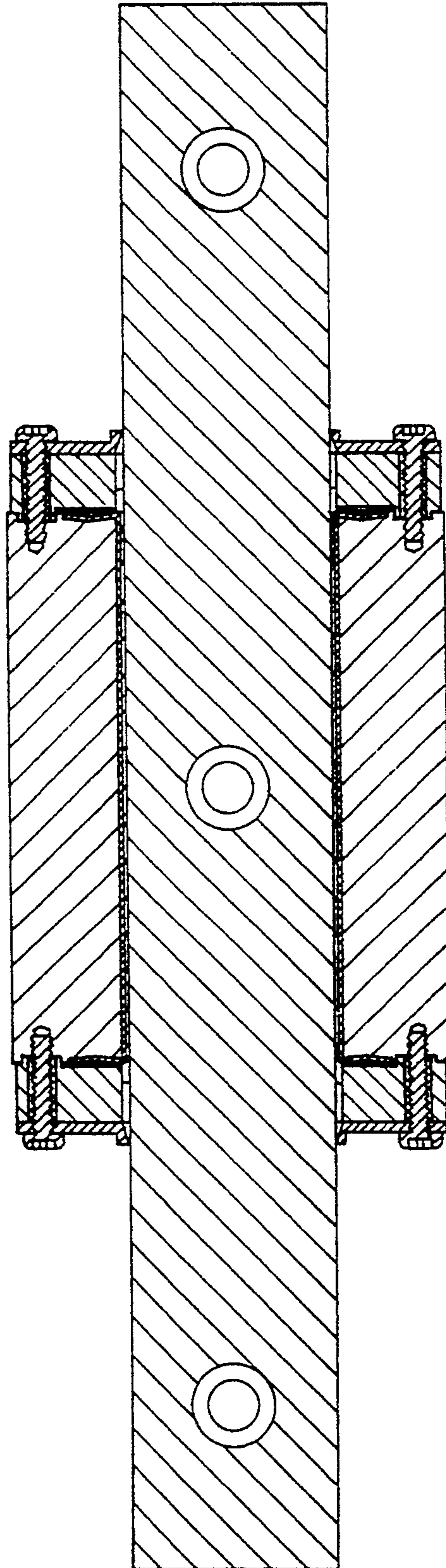


FIG. 8

FIG. 9



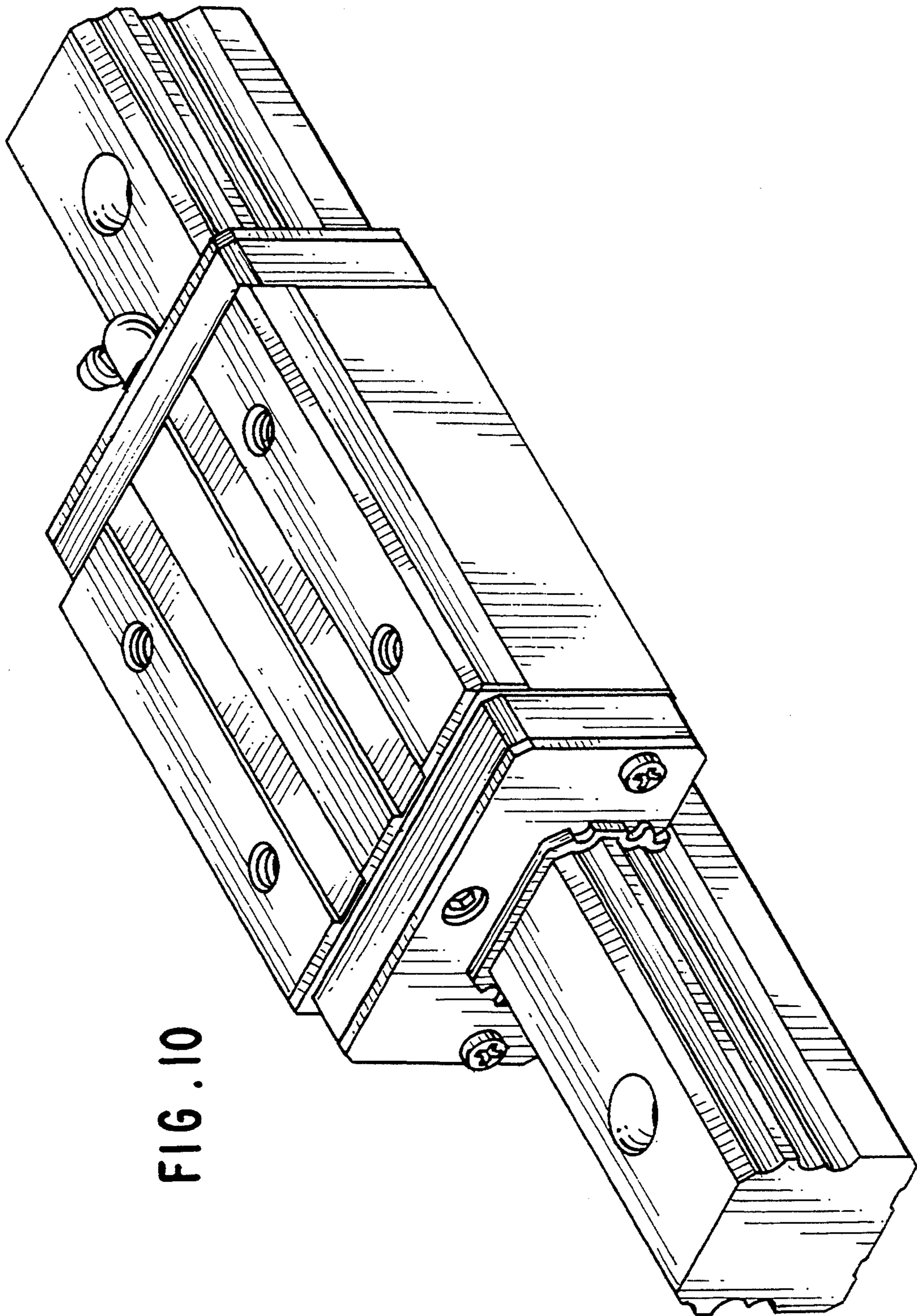


FIG. 10

UNITED STATES PATENT AND TRADEMARK OFFICE
CERTIFICATE OF CORRECTION

PATENT NO. : DES 351,848
DATED : October 25, 1994
INVENTOR(S) : Mitsuru YAMAZAKI

It is certified that error appears in the above-identified patent and that said Letters Patent is hereby corrected as shown below:

On the title page,

-- [**] Term: The portion of the term of this patent subsequent to March 8, 2008 has been disclaimed. --

Signed and Sealed this
Fourth Day of April, 1995

Attest:



BRUCE LEHMAN

Attesting Officer

Commissioner of Patents and Trademarks