



US00D351847S

United States Patent [19]

[11] Patent Number: **Des. 351,847**

Noniewicz

[45] Date of Patent: **** Oct. 25, 1994**

[54] **WORKBENCH FOR ROLLER SUPPORT**

[75] Inventor: **Zbigniew Noniewicz, Kempenich, Fed. Rep. of Germany**

[73] Assignee: **Wolcraft GmbH, Loehstrasse Weibern, Fed. Rep. of Germany**

[**] Term: **14 Years**

[21] Appl. No.: **9,979**

[22] Filed: **Jun. 28, 1993**

[52] U.S. Cl. **D15/141; D6/400**

[58] Field of Search **D6/400; 108/33-49, 108/115-135; 144/286 R, 285, 306; 269/329, 901; D15/141**

[56] **References Cited**

U.S. PATENT DOCUMENTS

D. 266,128 9/1982 Ferdinand et al. D6/400
4,278,743 7/1981 Alessio D18/141 X

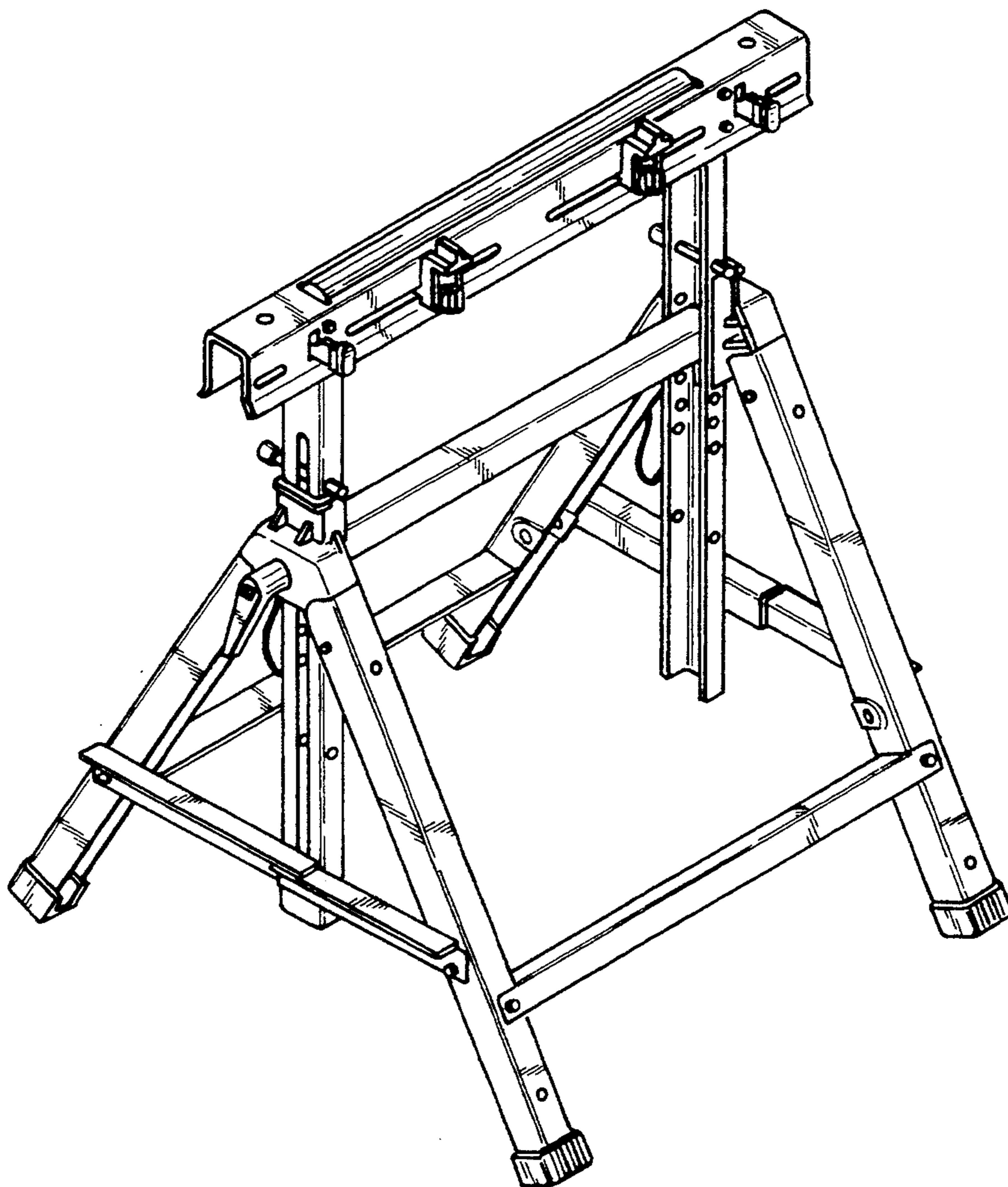
Primary Examiner—Nelson C. Holtje
Assistant Examiner—Antoine D. Davis
Attorney, Agent, or Firm—Antonelli, Terry, Stout & Kraus

[57] **CLAIM**

The ornamental design for a workbench for roller support, as shown and described.

DESCRIPTION

FIG. 1 is a left elevational view of a workbench for roller support showing my new design;
FIG. 2 is a front elevational view of a workbench for roller support;
FIG. 3 is a right elevational view of a workbench for roller support;
FIG. 4 is a rear elevational view of a workbench for roller support;
FIG. 5 is a top plan view of a workbench for roller support; and,
FIG. 6 is a perspective view of a workbench for roller support.



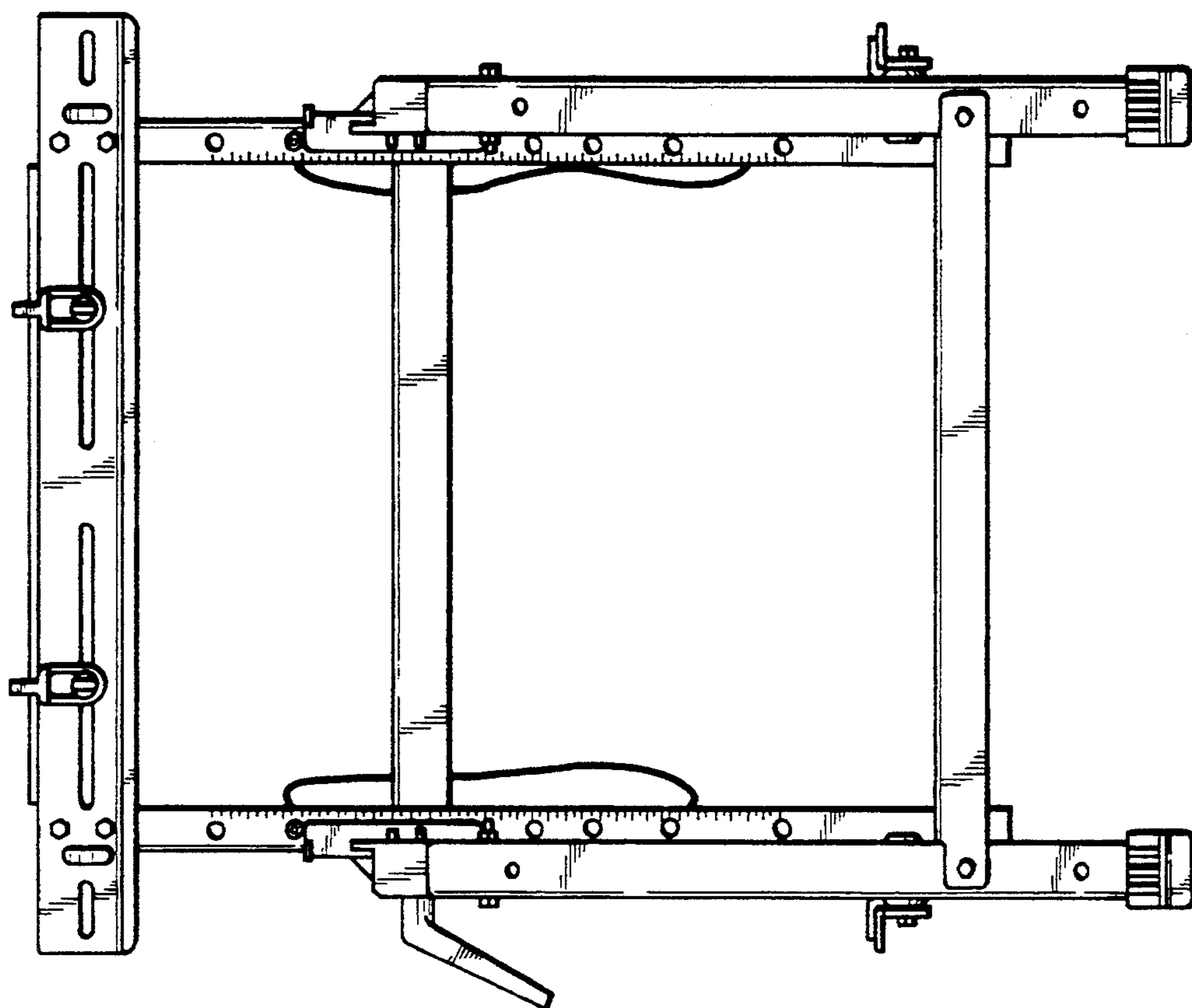


FIG. 2

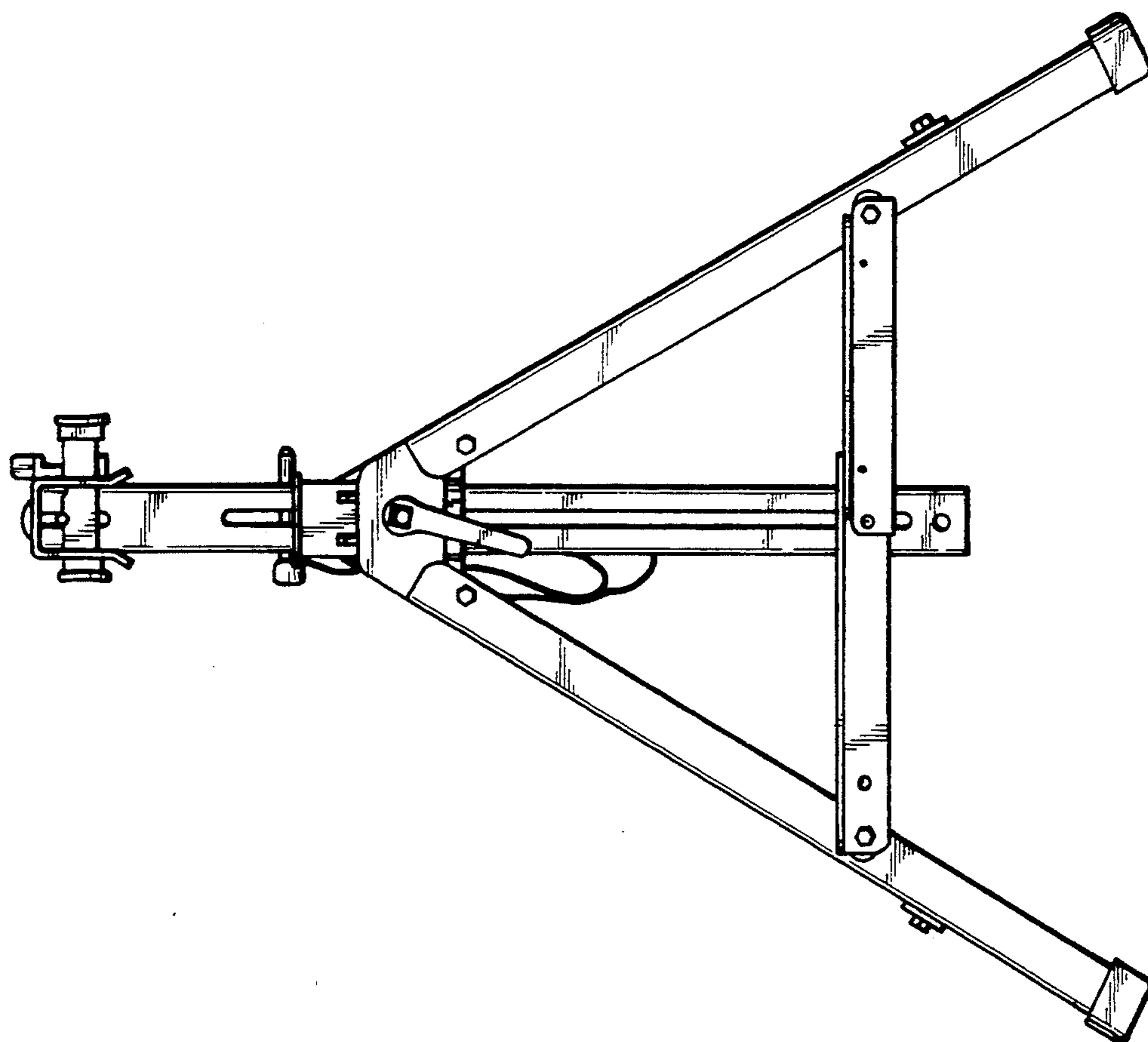


FIG. 1

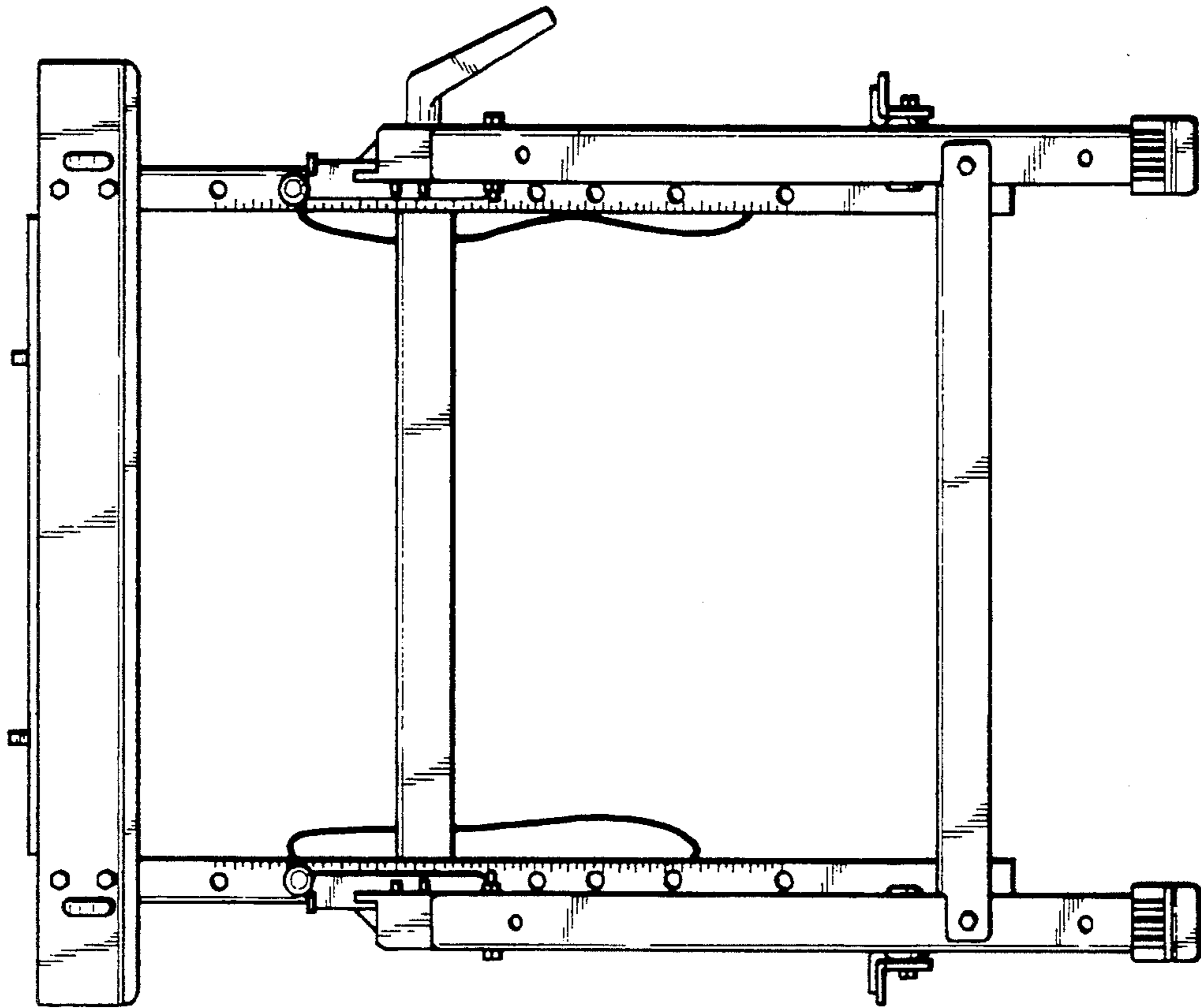


FIG. 4

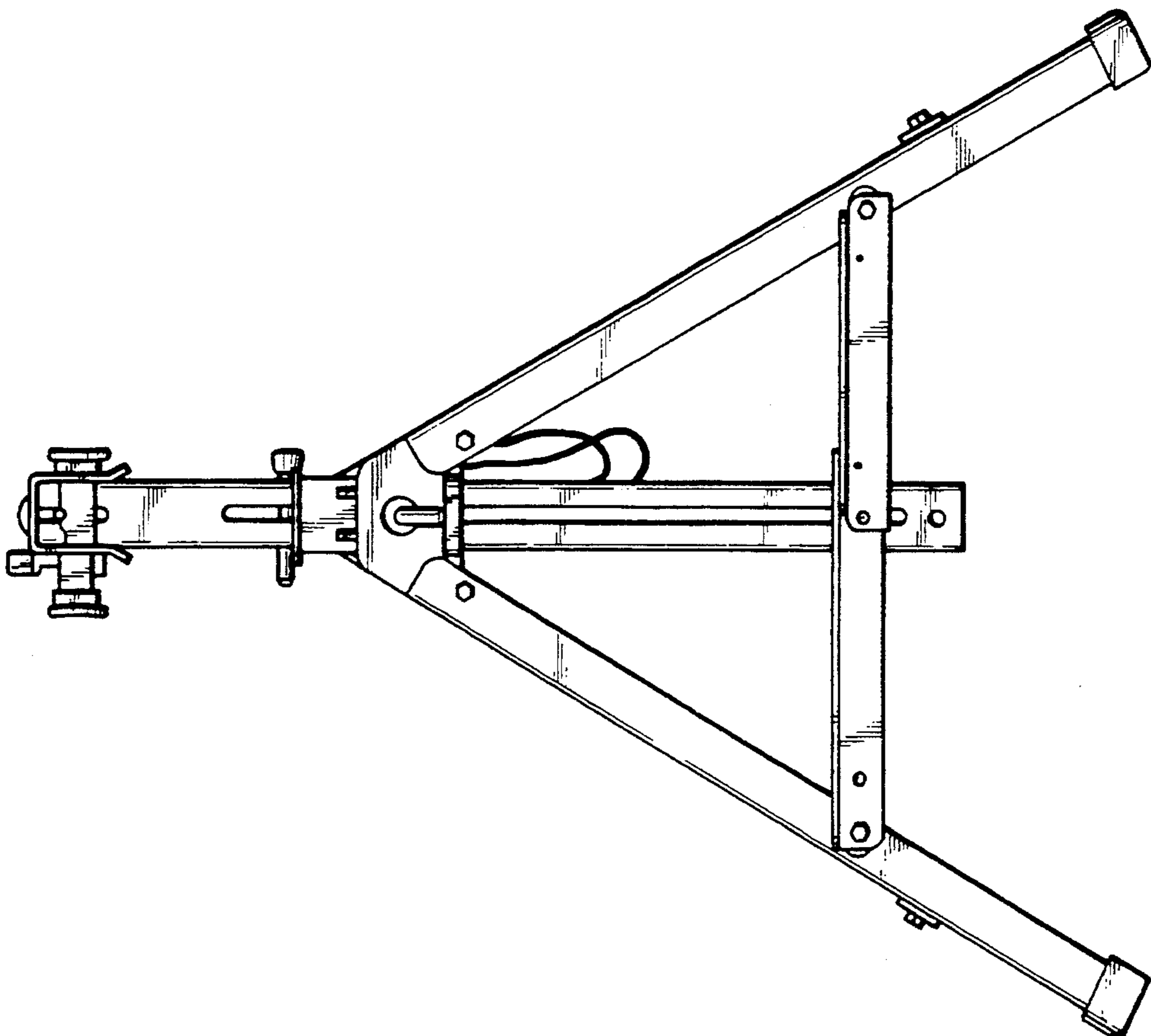


FIG. 3

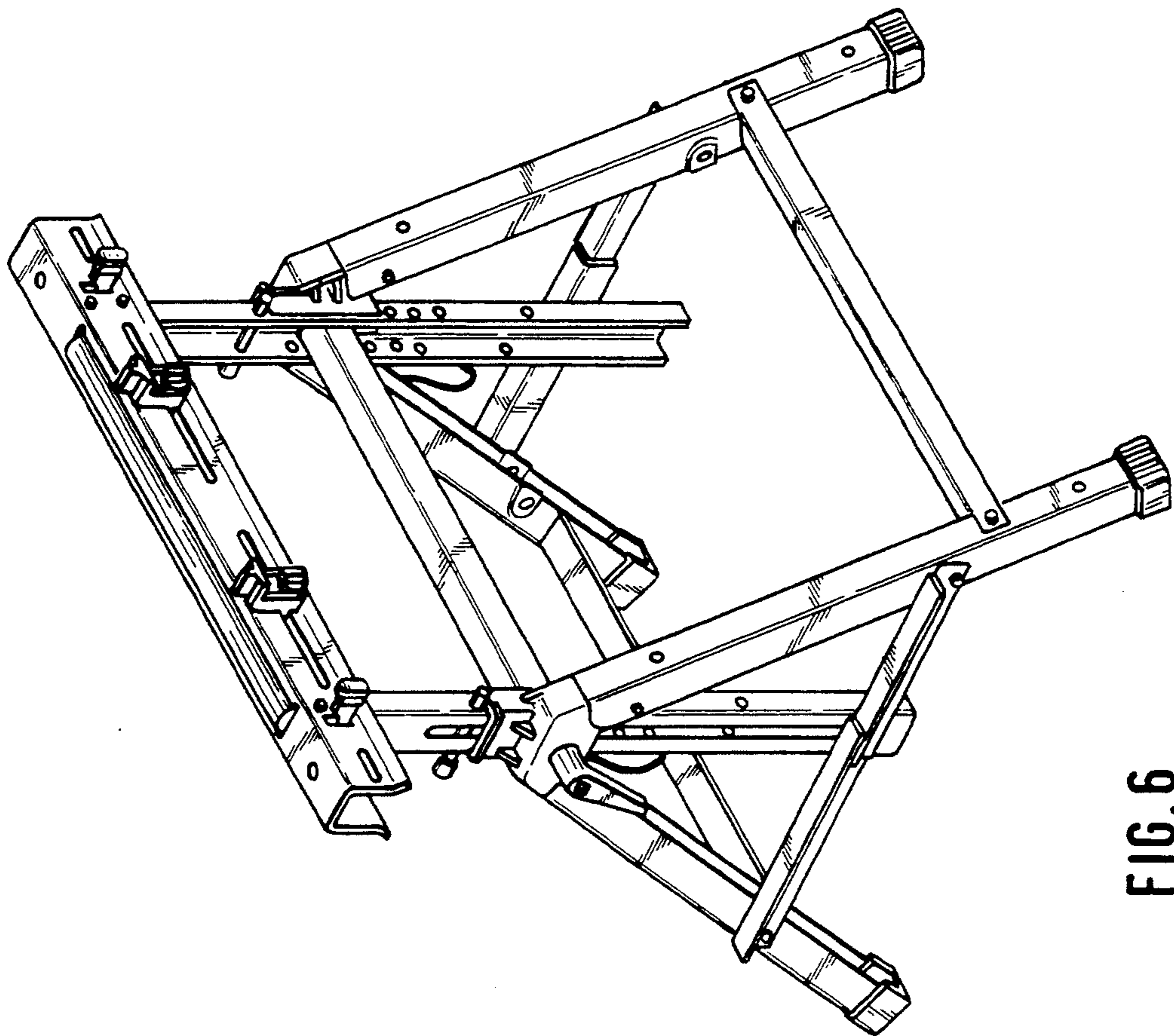


FIG. 6

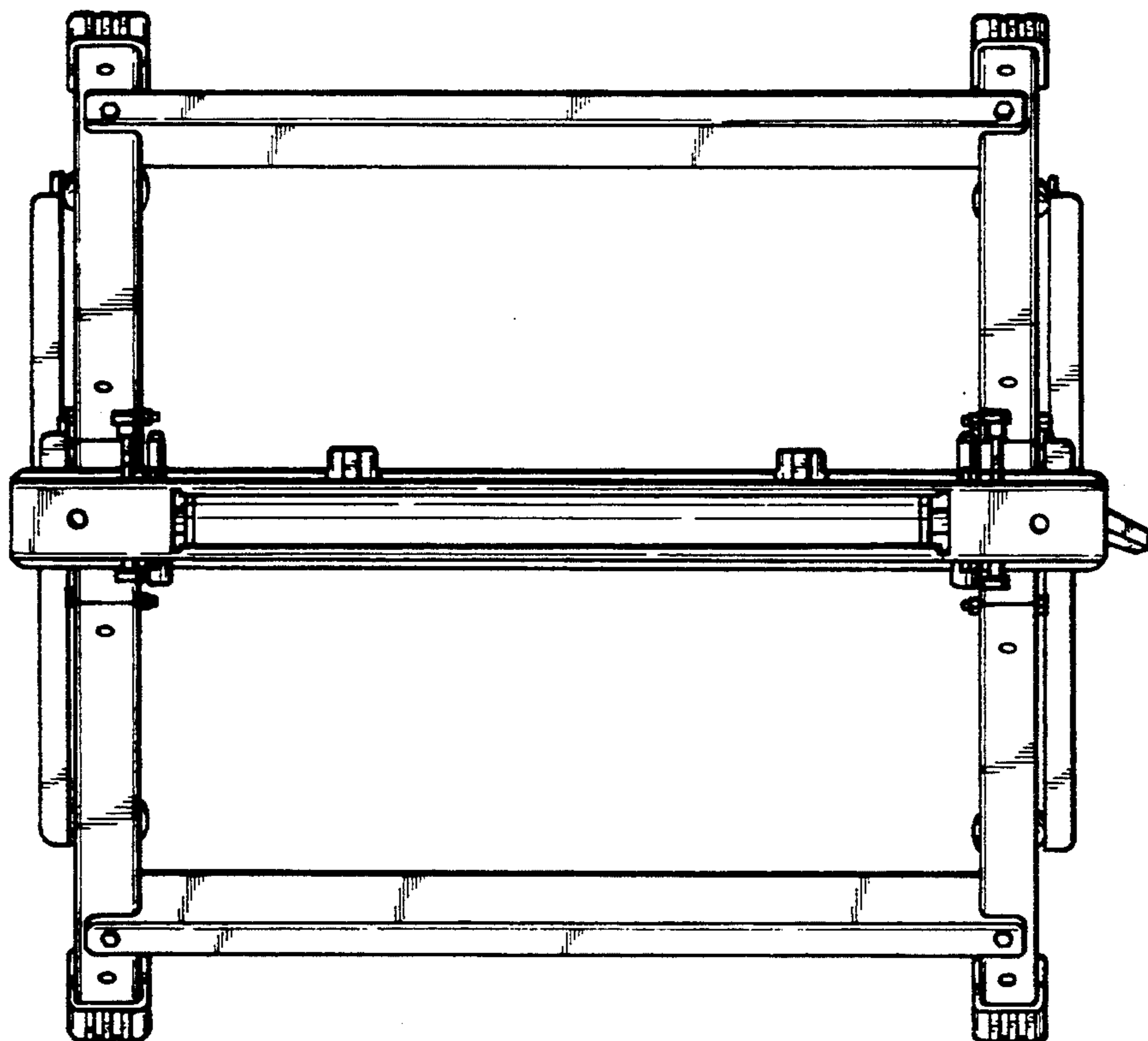


FIG. 5