



US00D351845S

United States Patent [19]

[11] Patent Number: Des. 351,845

Johnson et al.

[45] Date of Patent: ** Oct. 25, 1994

[54] REFRIGERATOR RACK

[75] Inventors: Warren F. Johnson; Kenneth M. Hattori; Roger E. Hamilton, all of Galesburg, Ill.

[73] Assignee: Maytag Corporation, Newton, Iowa

[**] Term: 14 Years

[21] Appl. No.: 2,758

[22] Filed: Dec. 22, 1992

[52] U.S. Cl. D15/89

[58] Field of Search D7/602, 619; 211/74, 211/75; 312/404, 407, 408; 62/440; D15/79-91

[56] References Cited

U.S. PATENT DOCUMENTS

- D. 233,817 12/1974 Stanmore .
- D. 342,743 12/1993 Renner D15/91
- 2,008,315 7/1935 Schmidt .
- 2,138,418 11/1938 Fahrne .
- 2,239,369 4/1941 Nauert .
- 2,852,327 9/1958 Mason .
- 3,371,790 3/1968 Crouch et al. .
- 3,441,331 4/1969 Kesling 312/408
- 3,789,620 2/1974 Benasutti et al. 62/344
- 3,814,293 6/1974 Daves .
- 3,835,660 9/1974 Franck 312/407
- 4,105,126 8/1978 Deffner et al. .
- 4,515,334 5/1985 Horne .

- 4,936,641 6/1990 Bussan et al. .
- 4,960,254 10/1990 Hartke 211/74
- 5,056,332 10/1991 Tajima et al. 312/116
- 5,226,707 7/1993 Han et al. 312/408

FOREIGN PATENT DOCUMENTS

- 959107 12/1974 Canada 312/116 R

OTHER PUBLICATIONS

1985 Sweets Catalog File vol. 3 11.27aGE p. 9 Model TFX24RF.

Kitchen-Aid Refrigerator Brochure, p. R7, undated.

Primary Examiner—Bernard Ansher

Assistant Examiner—Sandra Morris

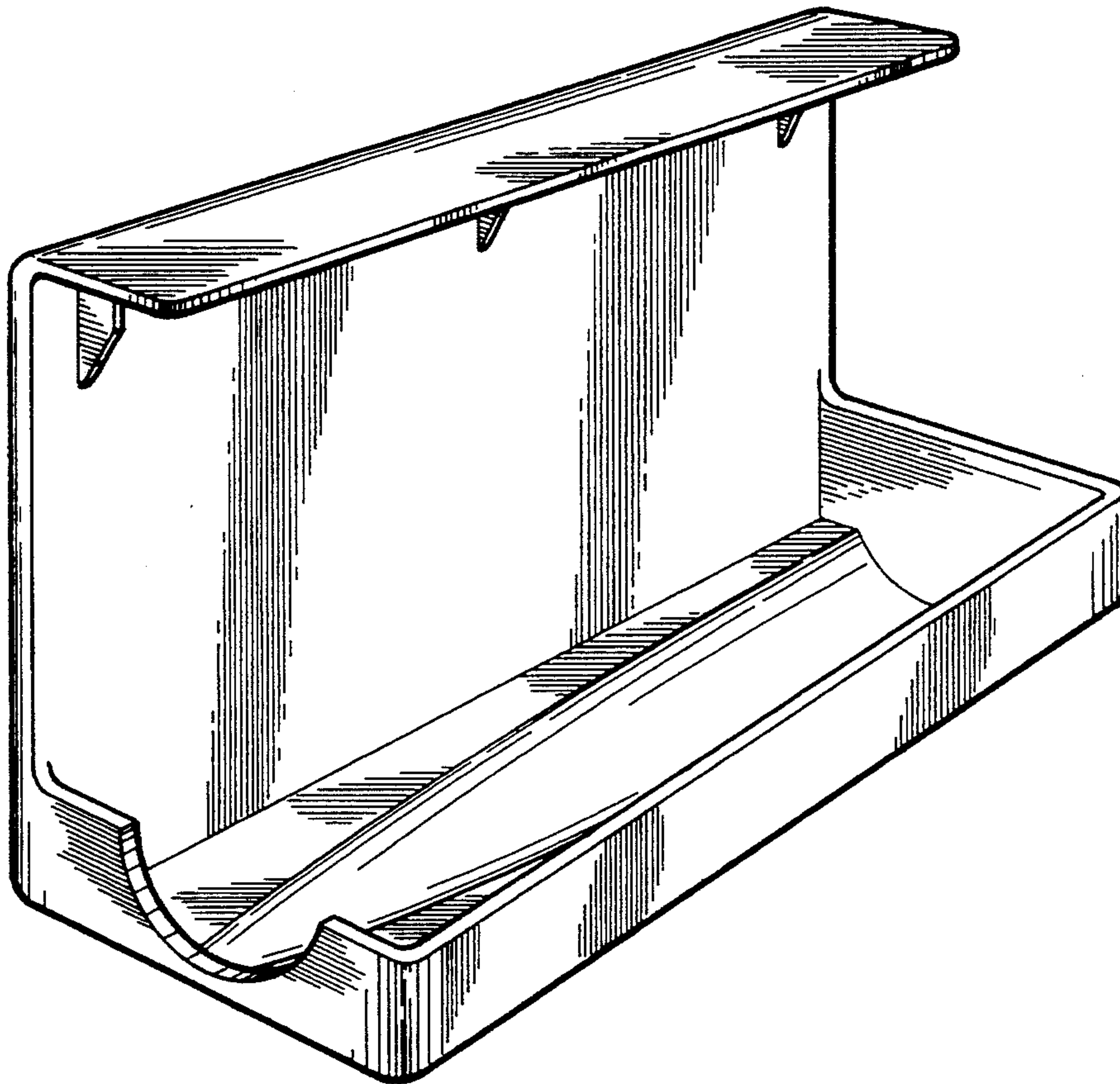
Attorney, Agent, or Firm—Bacon & Thomas

[57] CLAIM

The ornamental design for a refrigerator rack, as shown and described.

DESCRIPTION

FIG. 1 is a perspective view of a refrigerator rack showing our new design;
 FIG. 2 is a top plan view thereof;
 FIG. 3 is a front elevational view thereof;
 FIG. 4 is a left end elevational view thereof;
 FIG. 5 is a right end elevational view thereof;
 FIG. 6 is a bottom plan view thereof; and,
 FIG. 7 is a rear elevational view thereof.



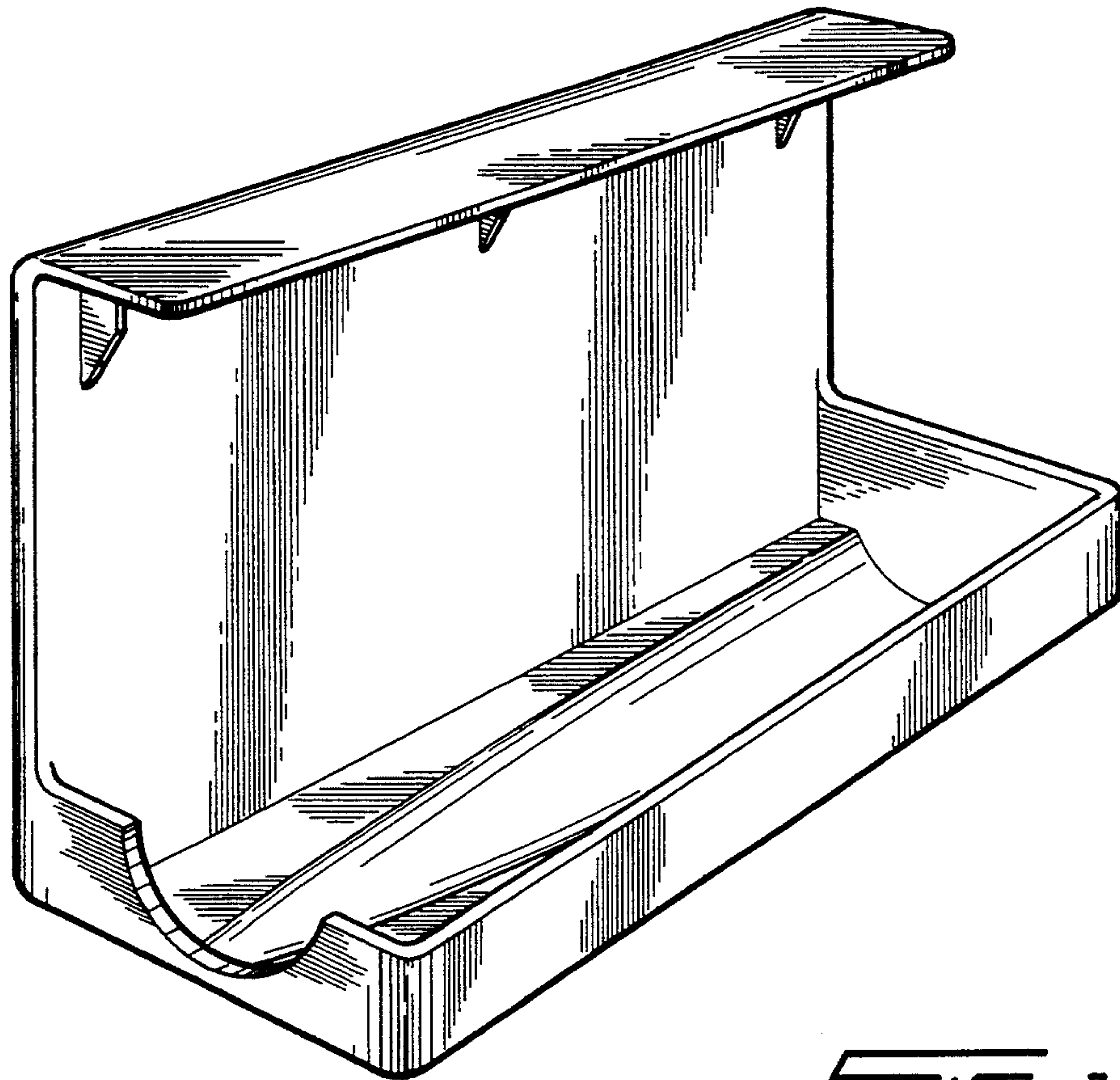


FIG. 1

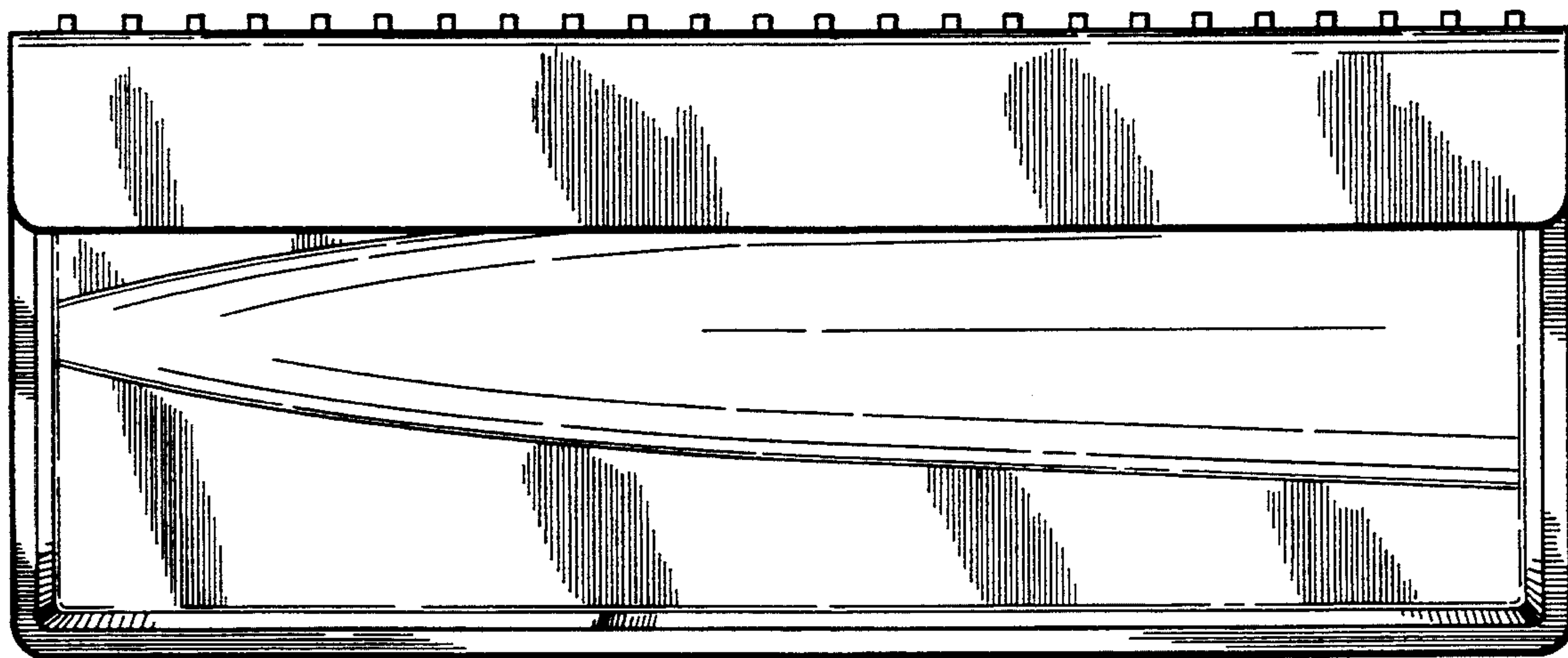


FIG. 2

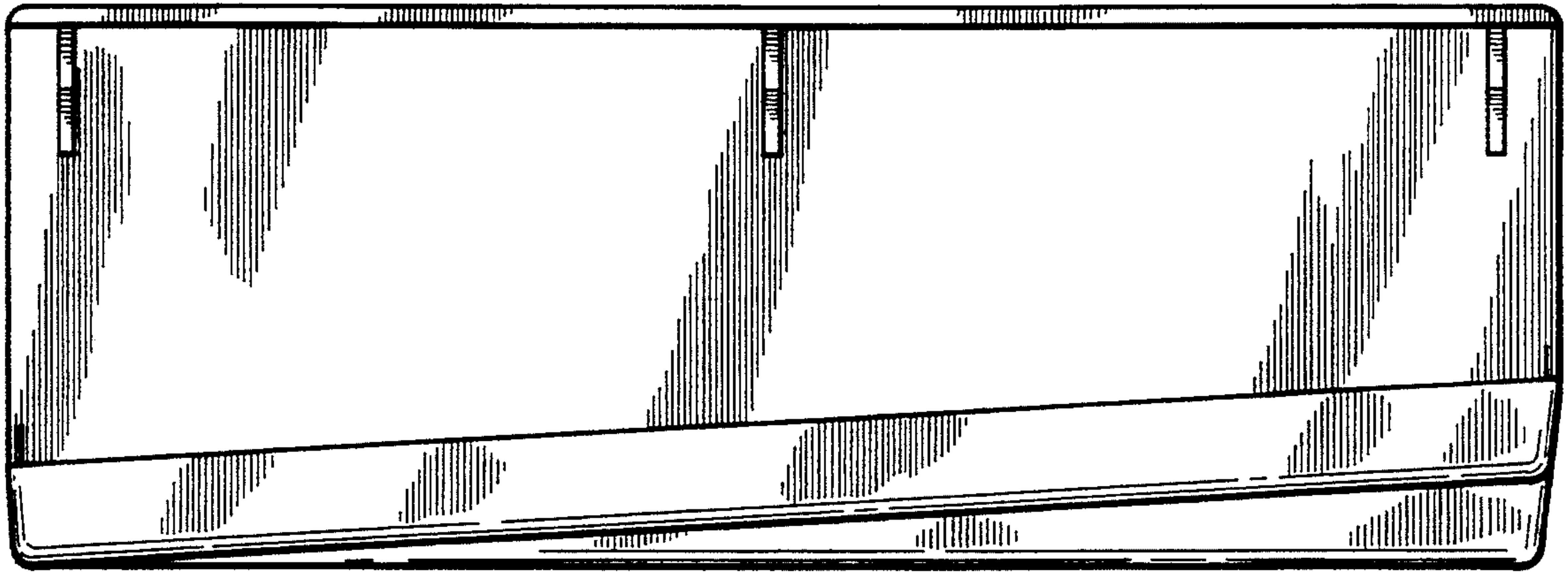


FIG. 3

FIG. 4

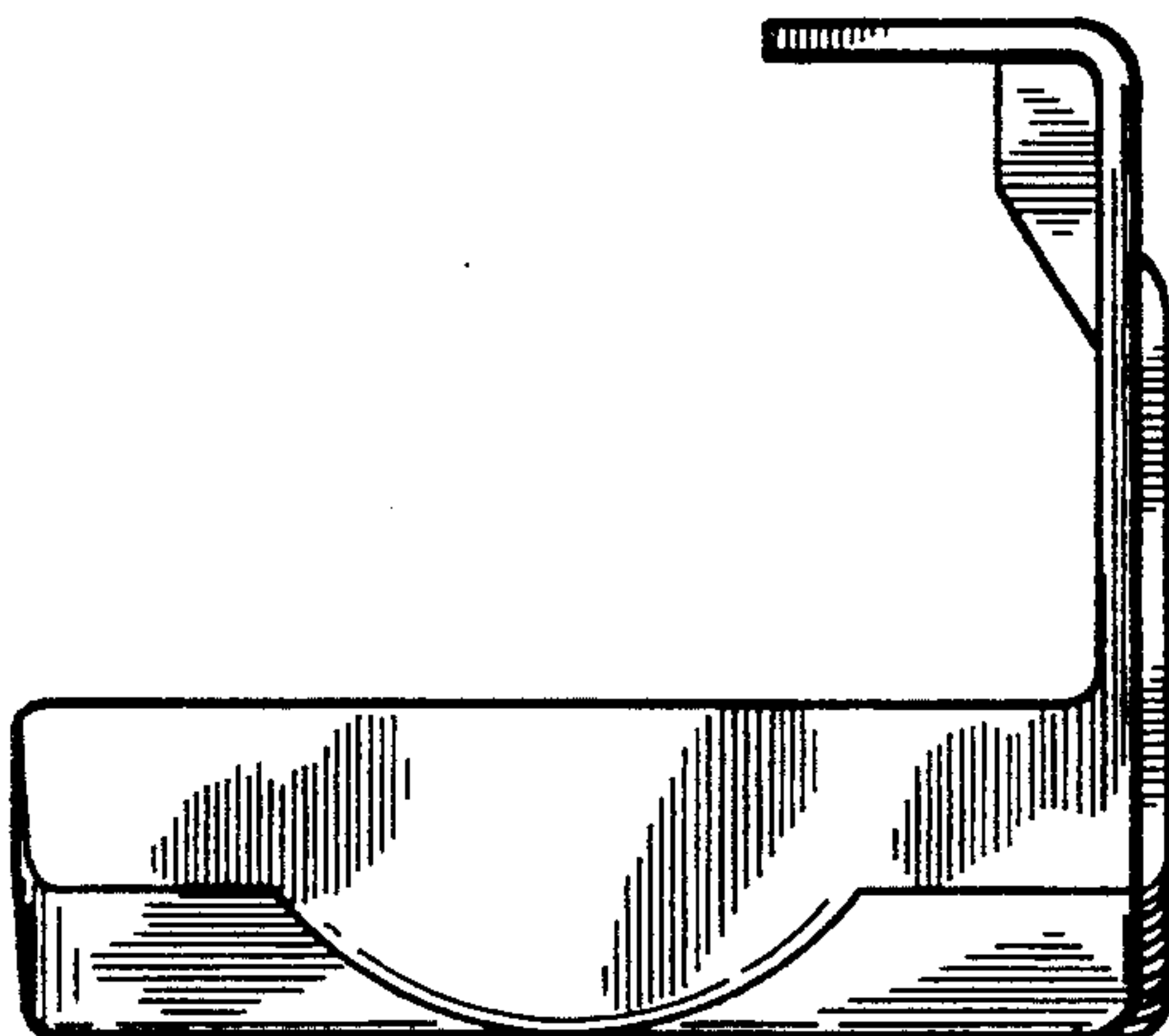
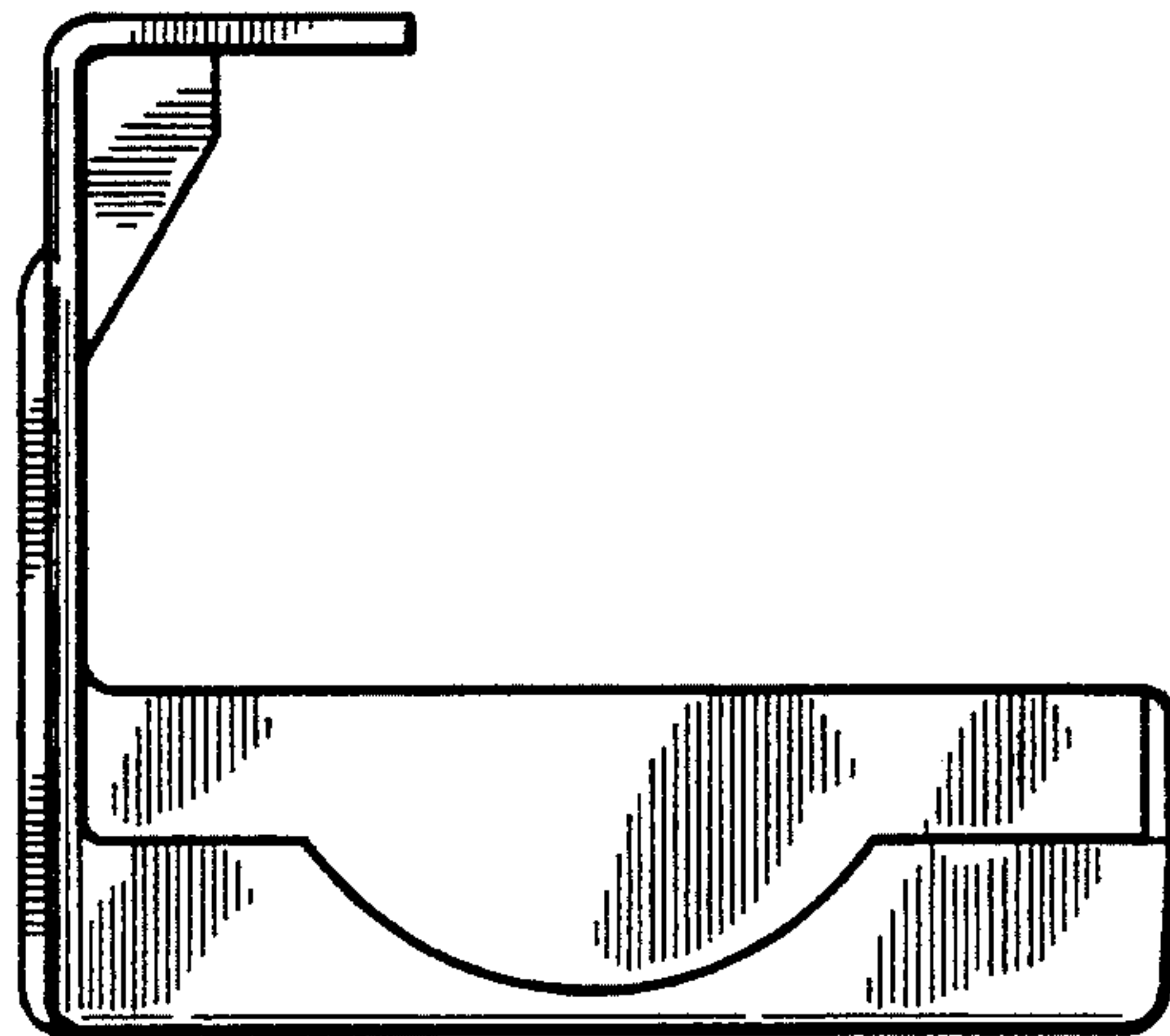


FIG. 5

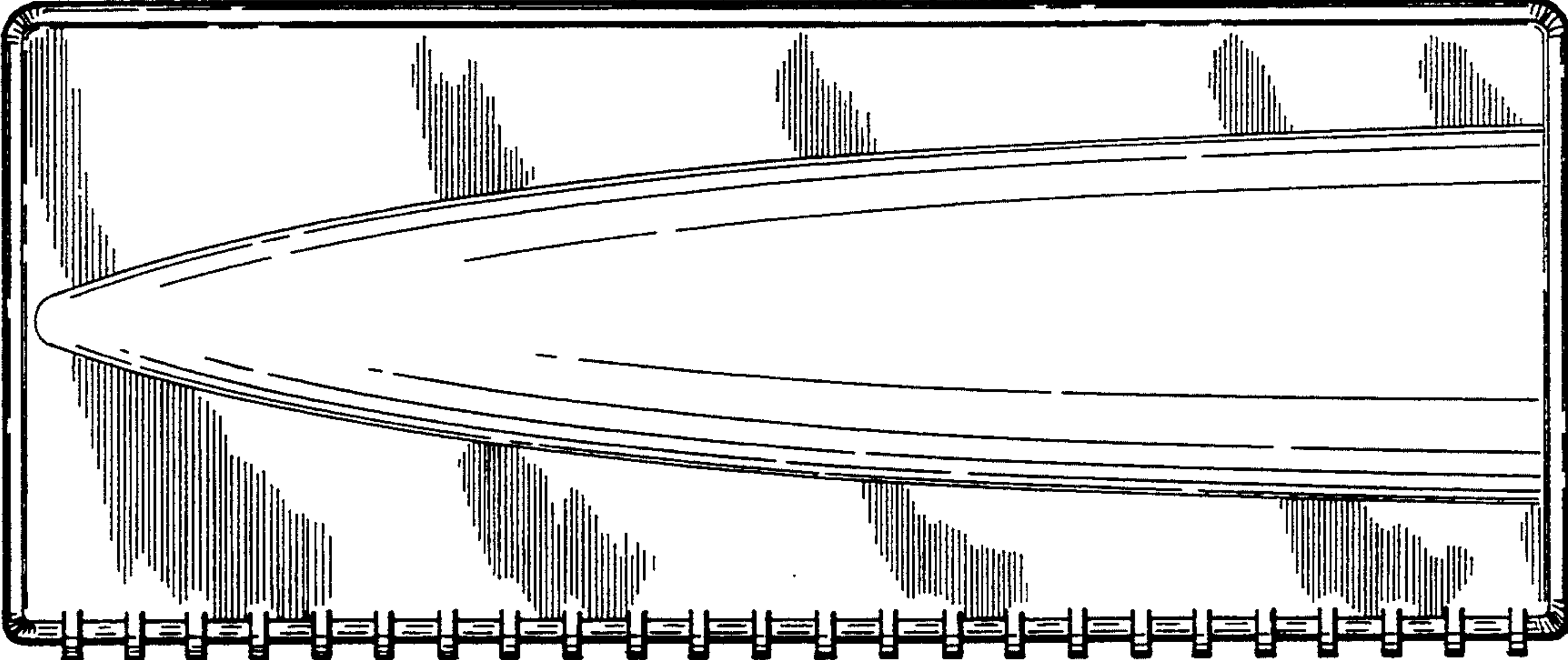


FIG. 6

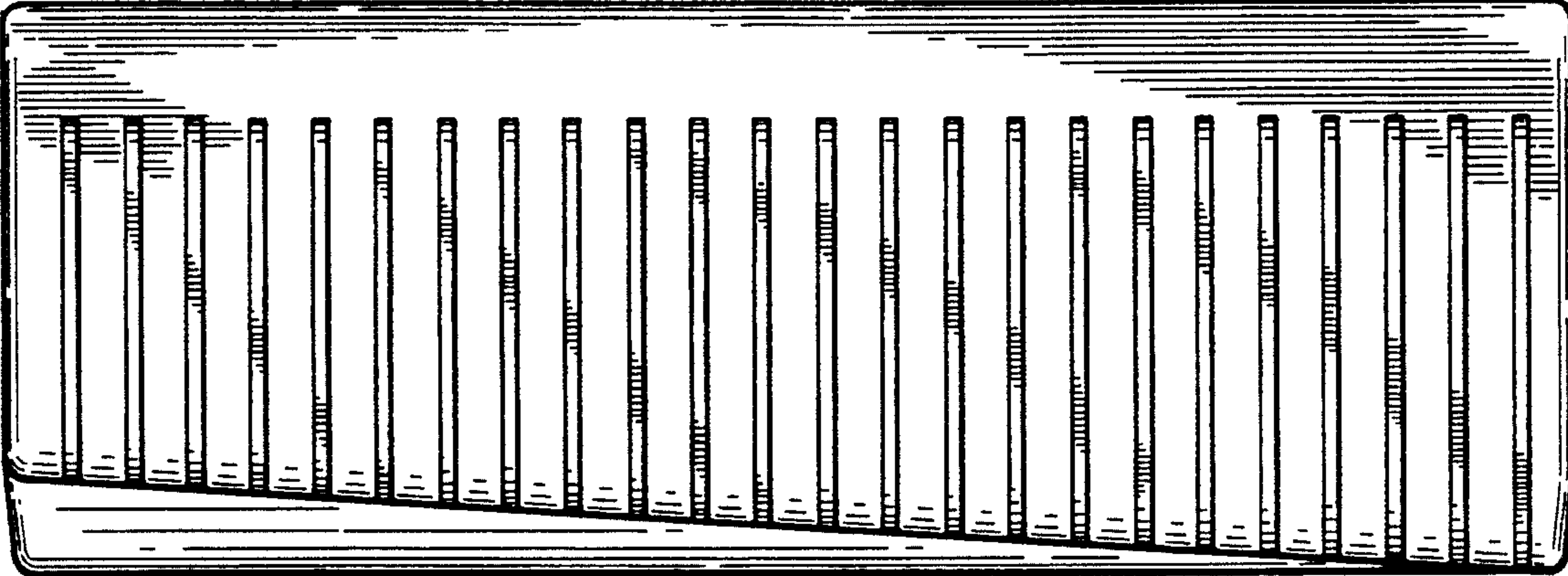


FIG. 7