



US00D351843S

United States Patent [19]

[11] Patent Number: **Des. 351,843**

Larson et al.

[45] Date of Patent: **** Oct. 25, 1994**

[54] **AGRICULTURAL IMPLEMENT**

5,267,696 12/1993 Balmer 239/172

[75] Inventors: **Roger L. Larson, Waconia; Norman A. Bauer, Watertown, both of Minn.**

OTHER PUBLICATIONS

Merz Mini Spray 375 Applicator.

[73] Assignee: **Ag-Chem Equipment Co., Inc., Minnetonka, Minn.**

Primary Examiner—Bernard Ansher

Assistant Examiner—Sandra Morris

[**] Term: **14 Years**

Attorney, Agent, or Firm—Haugen and Nikolai

[21] Appl. No.: **7,877**

[57] CLAIM

[22] Filed: **May 3, 1993**

The ornamental design for the agricultural implement, as shown and described.

[52] U.S. Cl. **D15/13; D15/26**

[58] Field of Search 180/89.1; 239/146, 172, 239/175; 280/638; 211/266; D15/10-26

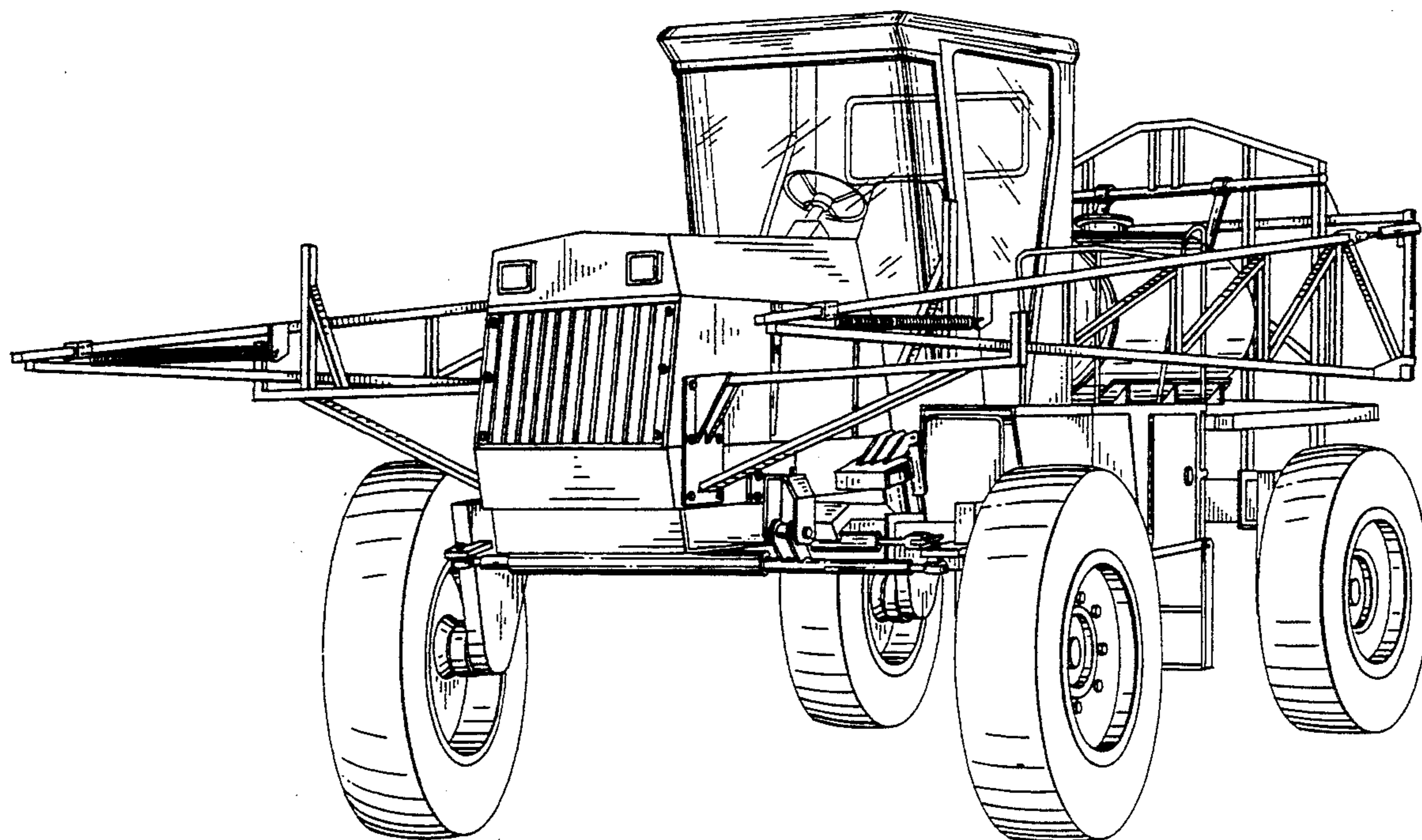
DESCRIPTION

[56] References Cited

U.S. PATENT DOCUMENTS

D. 212,845	12/1968	Jones	D15/13
D. 245,331	8/1977	Tangeman	D15/133
D. 257,979	1/1981	Clark et al.	D15/13
D. 344,737	3/1994	Long et al.	D15/13
4,834,249	5/1989	Dahl	239/172
4,886,208	12/1989	Strand	239/662
5,242,120	9/1993	Barber et al.	239/662

FIG. 1 is a perspective view of the agricultural implement design showing the front and one side thereof; FIG. 2 is a side elevational view showing the same side as illustrated in FIG. 1 of the design; FIG. 3 is a side elevational view showing the side opposite to that of FIG. 2; FIG. 4 is a front elevational view; FIG. 5 is a rear elevational view; FIG. 6 is a top plan view; and, FIG. 7 is a bottom plan view.



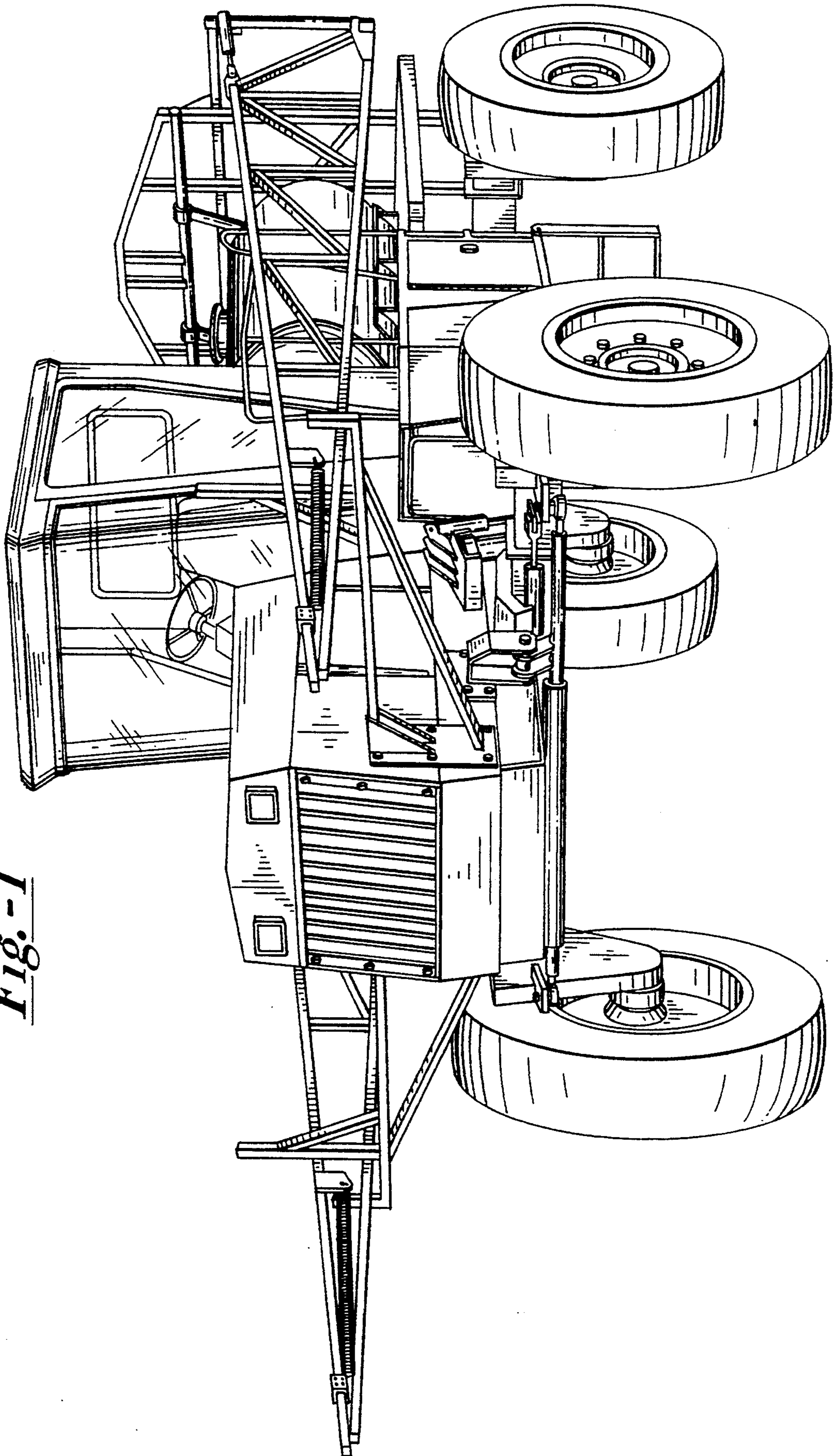


Fig. -1

Fig.-2

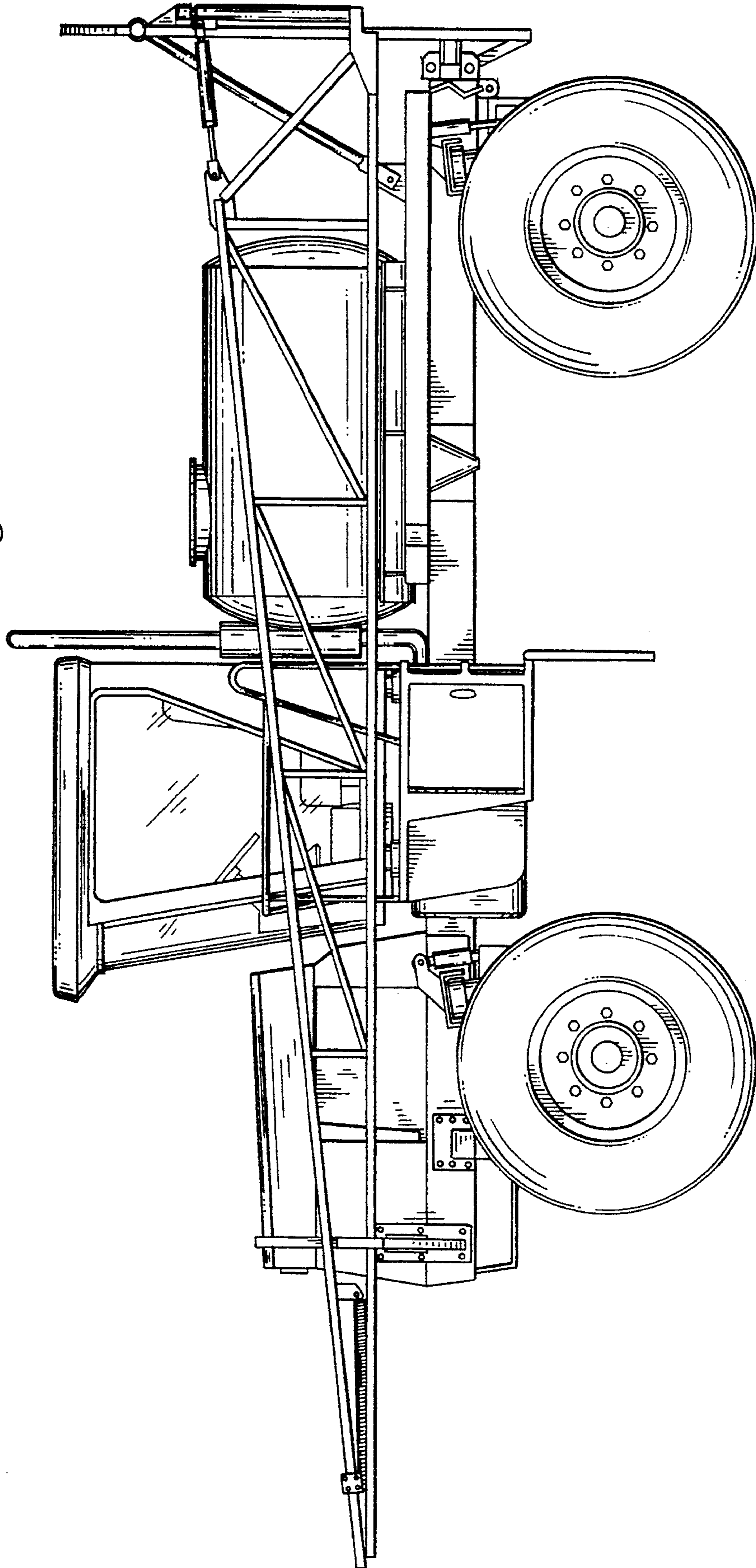
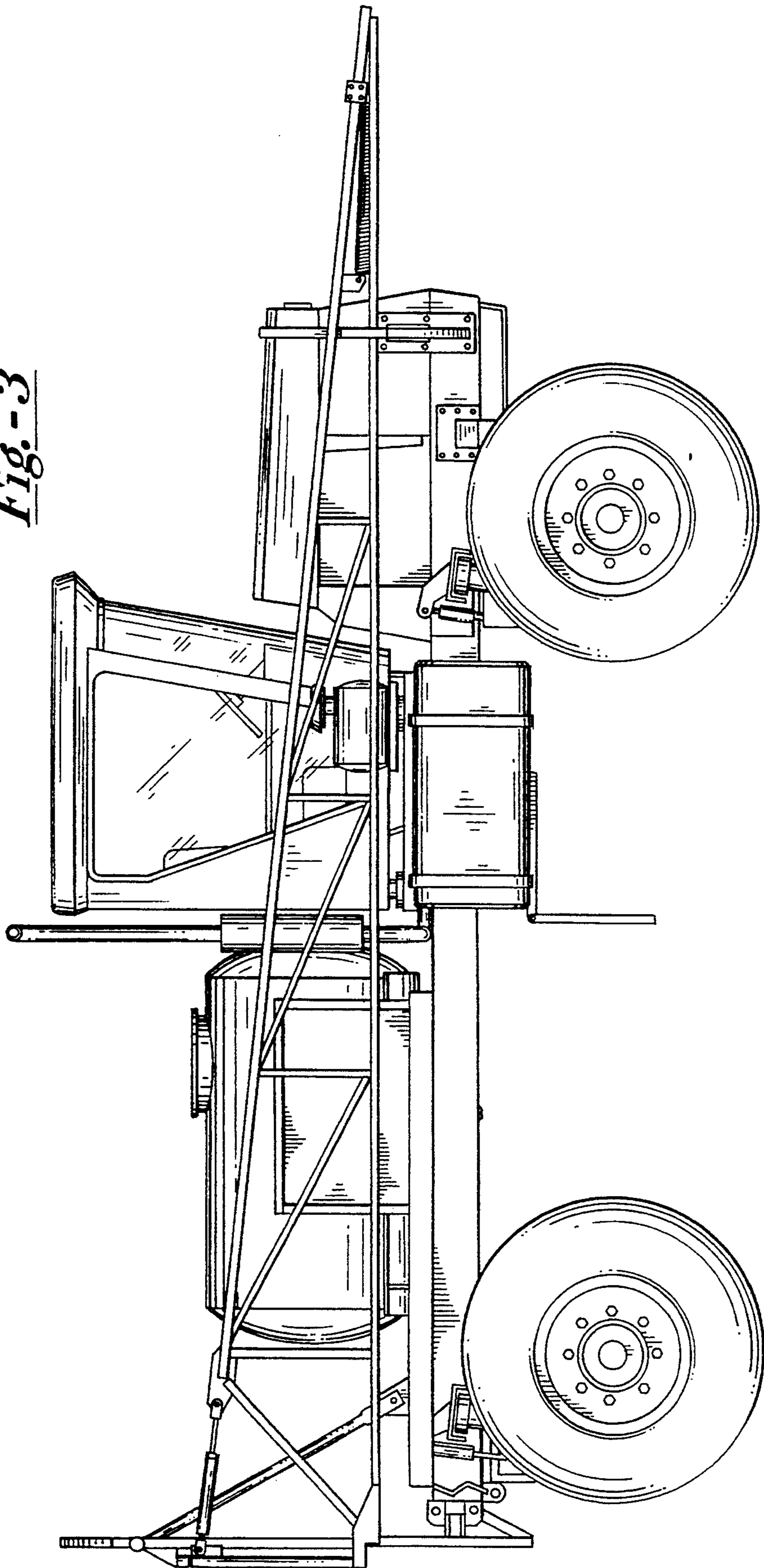
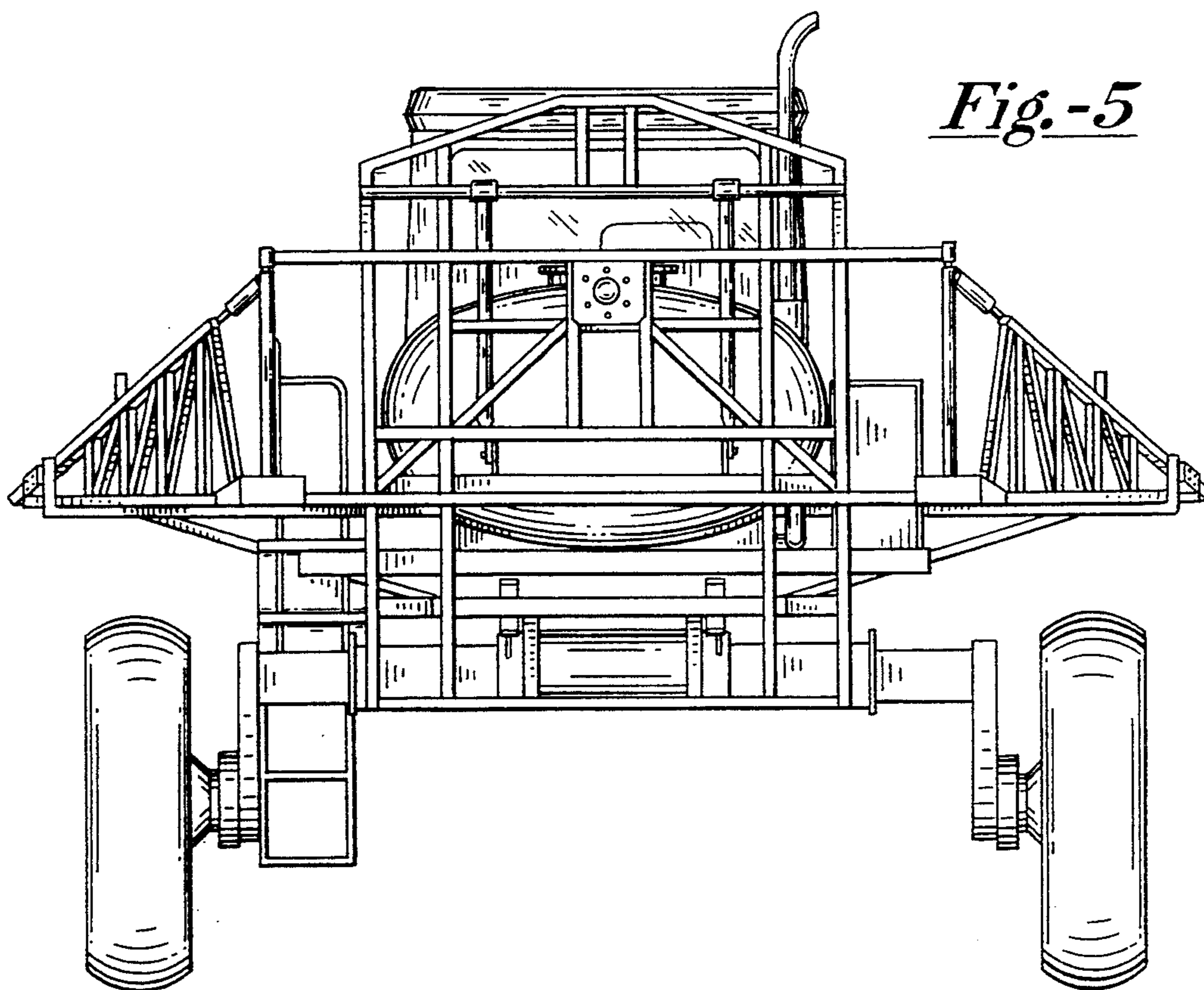
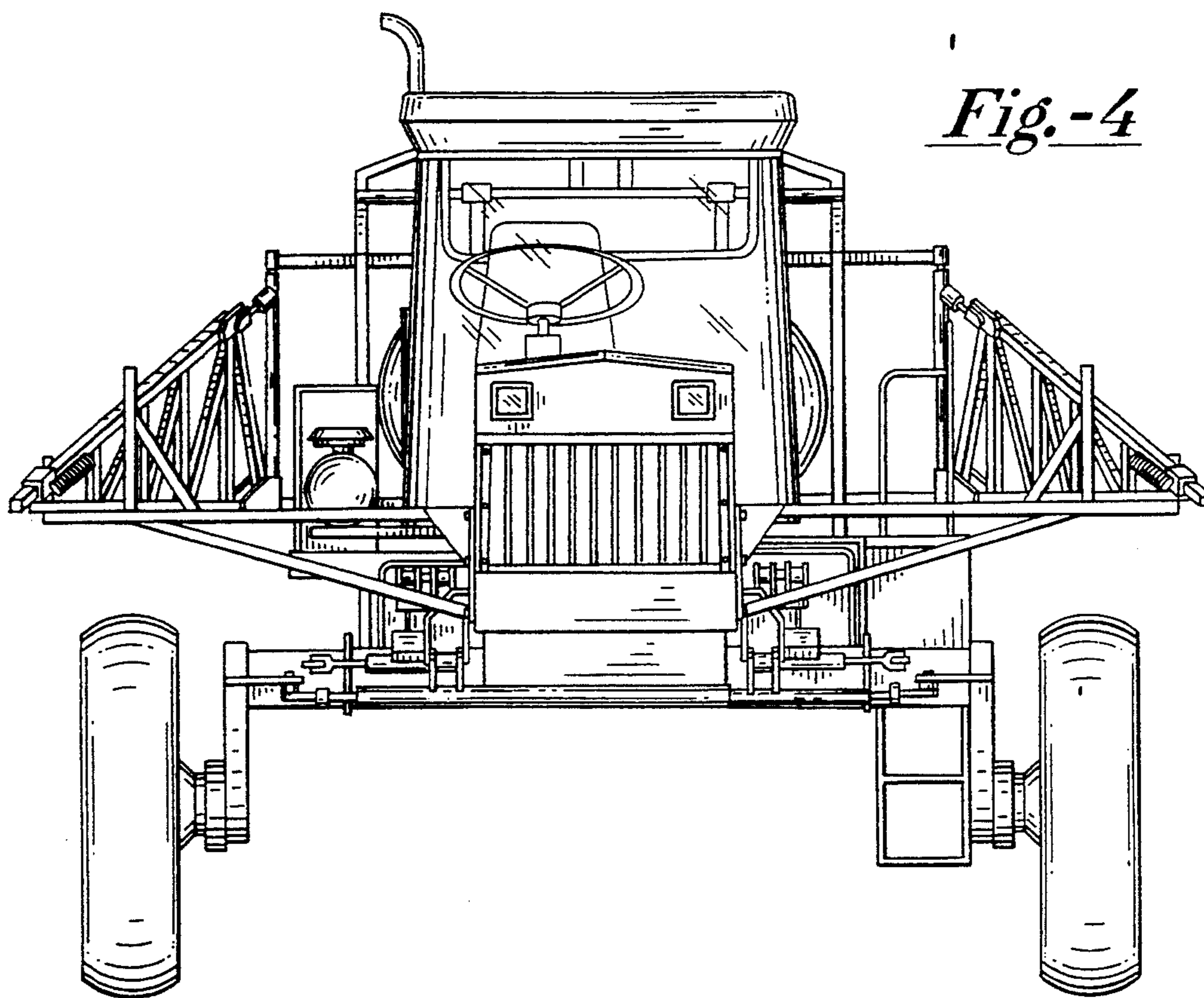


Fig.-3





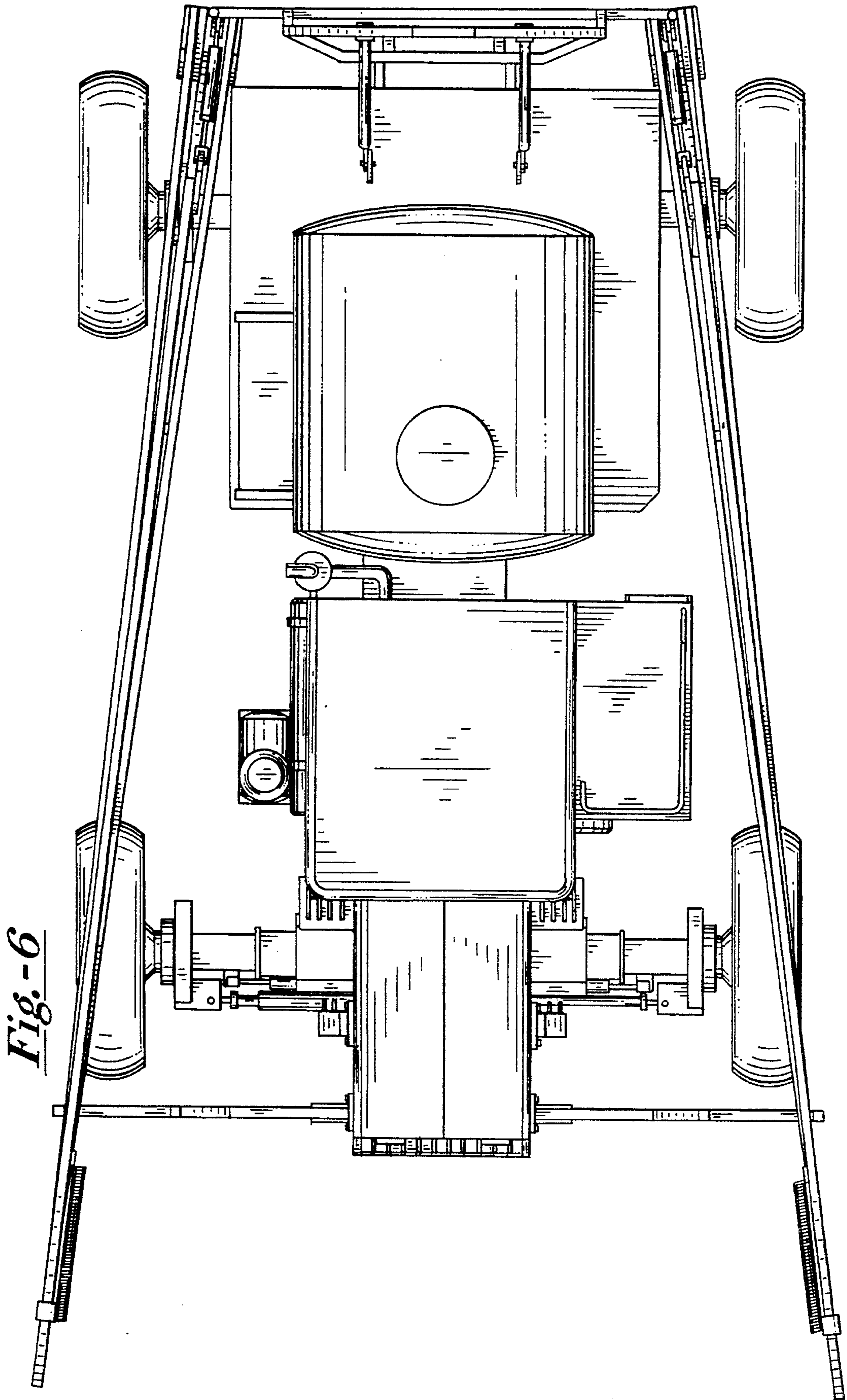


Fig.-6

Fig.-7

