



US00D351830S

# United States Patent [19]

[11] Patent Number: **Des. 351,830**

Hayes

[45] Date of Patent: **\*\* Oct. 25, 1994**

[54] **COMPUTER INPUT DEVICE FOR FLIGHT OR OTHER ACTION SIMULATION SOFTWARE**

D. 220,728	5/1971	Cox	.....	D17/177 X
D. 221,070	7/1971	Munter	.....	D12/175
D. 270,460	9/1983	Burcoft et al.	.....	D21/13
D. 328,315	7/1992	Shulman	.....	D21/48

[75] Inventor: **Charles L. Hayes**, 4421 Highland Ave., Carlsbad, Calif. 92008

*Primary Examiner*—James M. Gandy  
*Assistant Examiner*—M. H. Tung  
*Attorney, Agent, or Firm*—Price, Gess & Ubell

[73] Assignee: **Charles L. Hayes**, Carlsbad, Calif.

[\*\*] Term: **14 Years**

[57] **CLAIM**

[21] Appl. No.: **3,502**

The ornamental design for a computer input device for flight or other action simulation software, as shown and described.

[22] Filed: **Jan. 8, 1993**

[52] U.S. Cl. .... **D14/114**

[58] Field of Search ..... 178/18-19;  
200/5 R, 5 A, 6 R, 6 A; 213/148 B; 273/148 B;  
345/156-157; 74/471 XY; D14/100, 114;  
D13/158; D21/48; D12/175-177

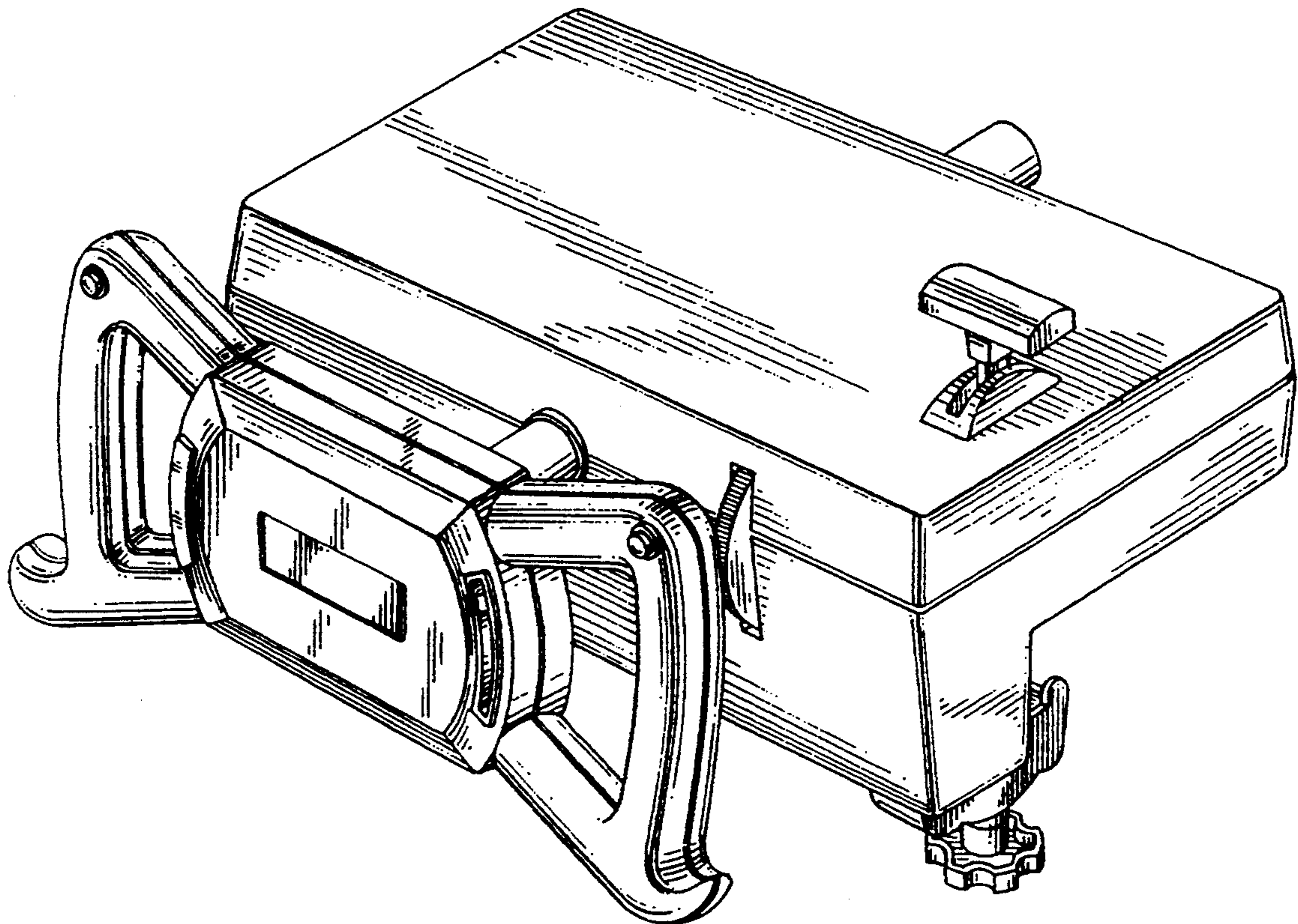
**DESCRIPTION**

[56] **References Cited**

**U.S. PATENT DOCUMENTS**

D. 179,786 2/1957 Smith ..... D12/176

FIG. 1 is perspective view of the device;  
FIG. 2 is a front elevation view;  
FIG. 3 is a rear elevation view;  
FIG. 4 is a right side elevation view;  
FIG. 5 is a left side elevation view;  
FIG. 6 is a top view; and,  
FIG. 7 is a bottom view.



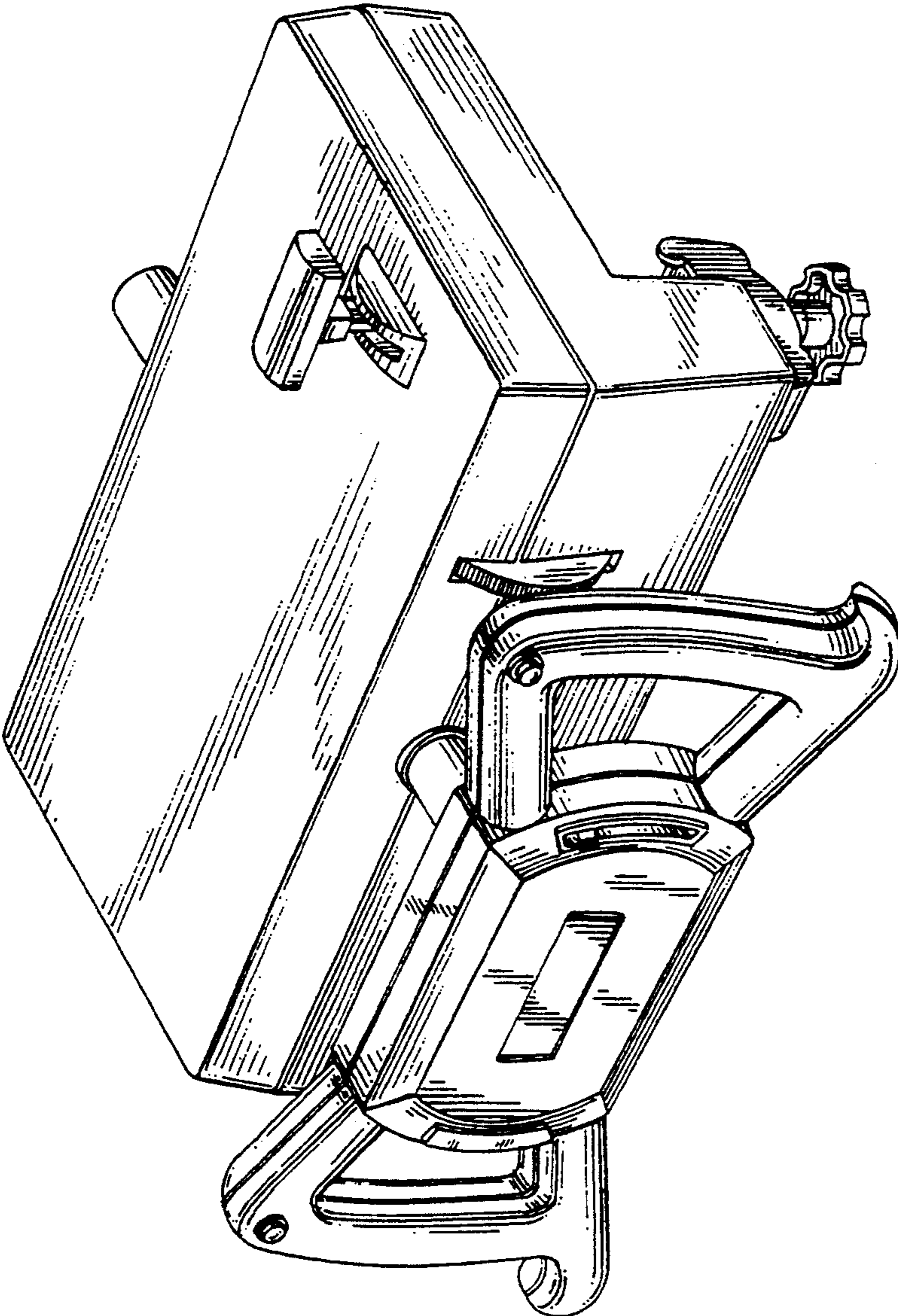


FIG. 1

FIG. 4

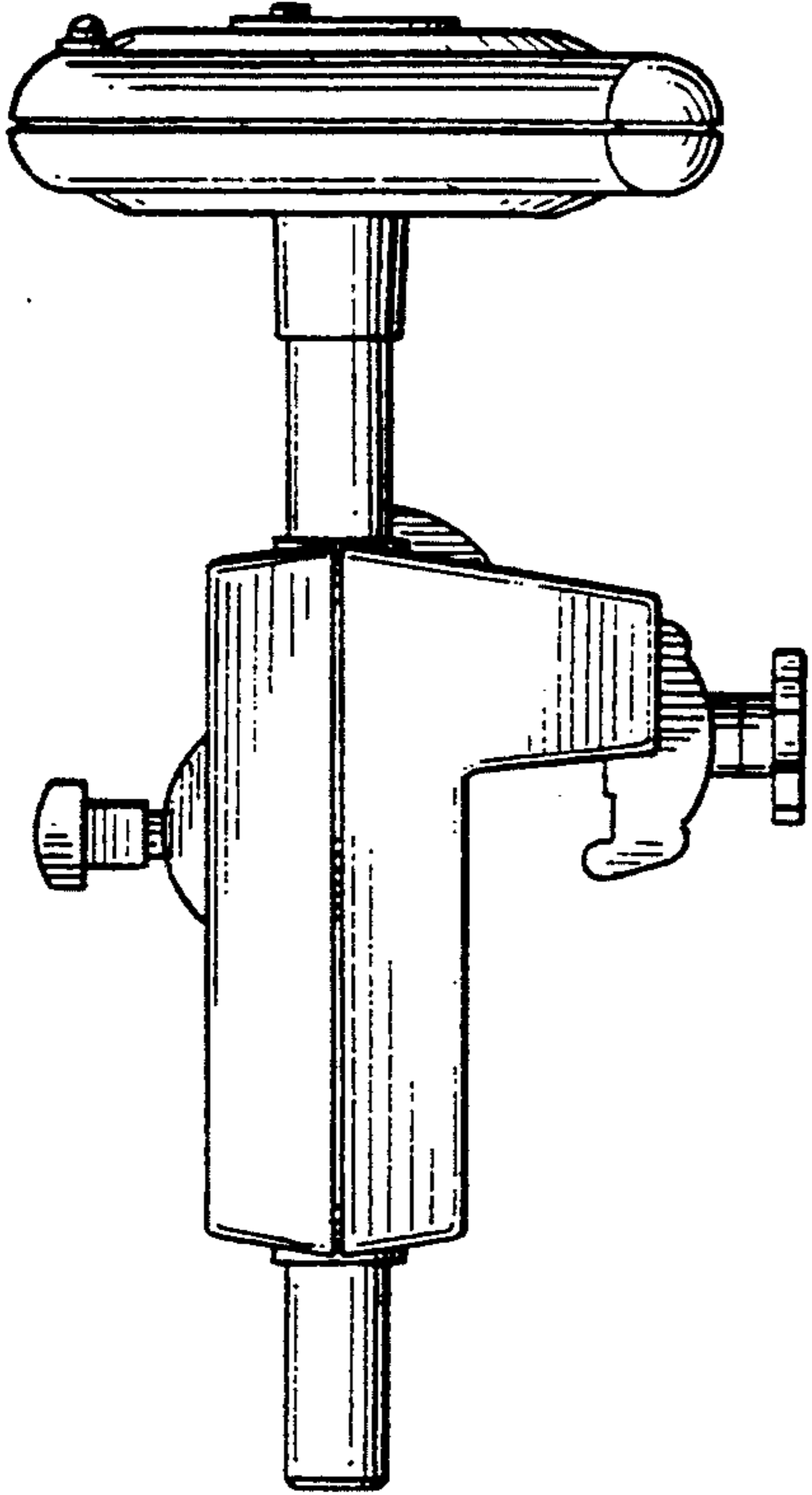


FIG. 5

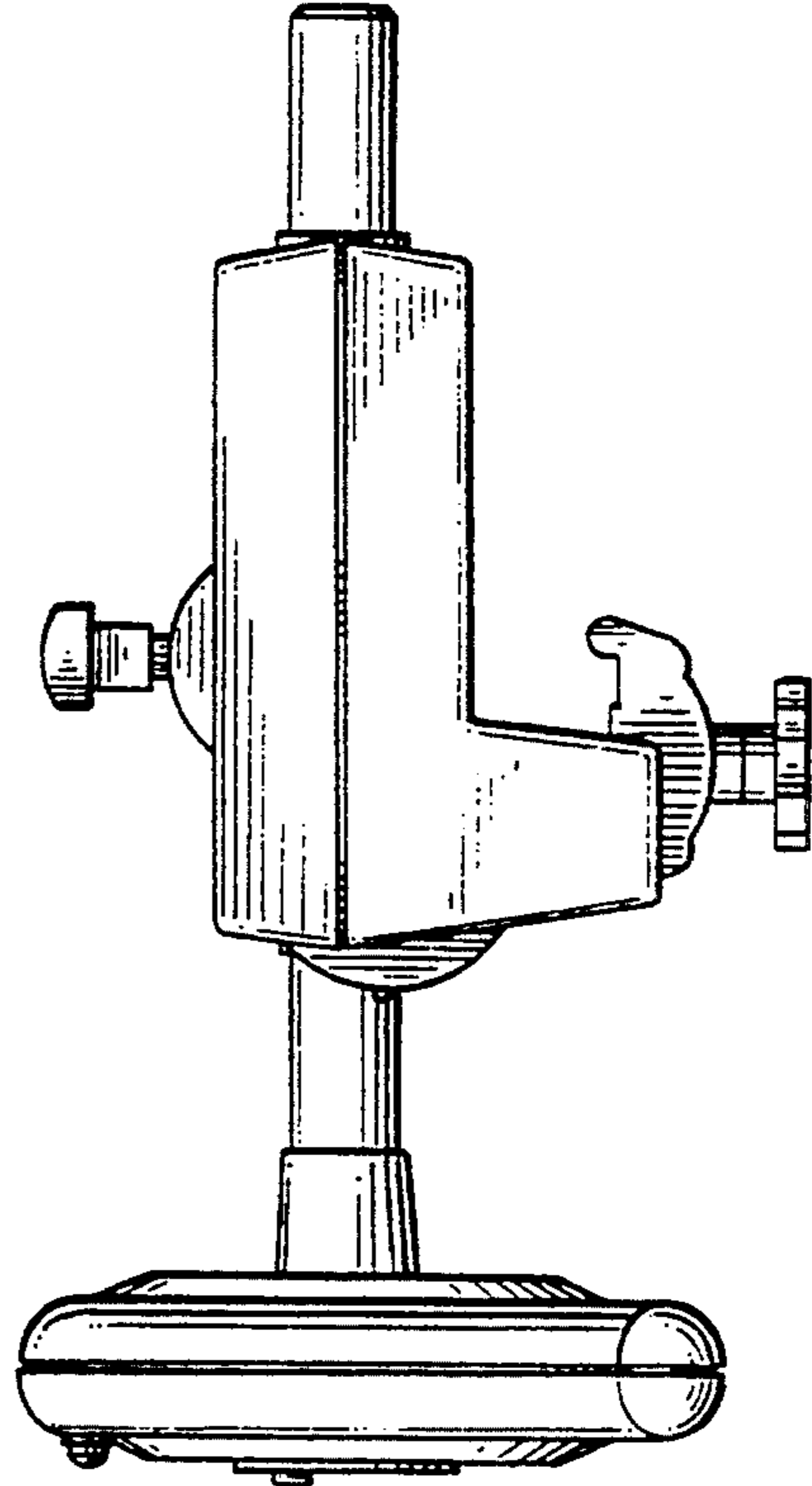


FIG. 2

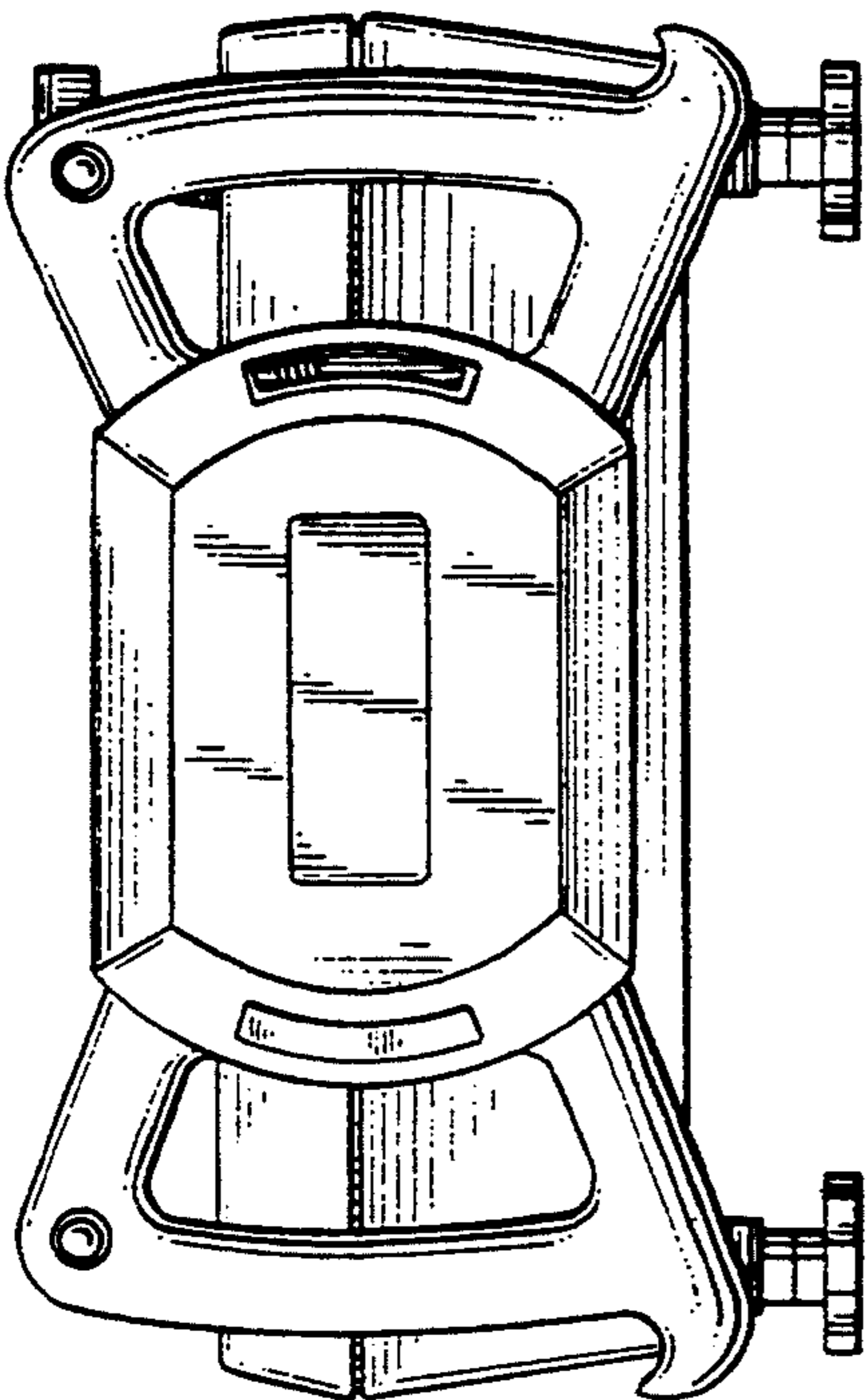


FIG. 3

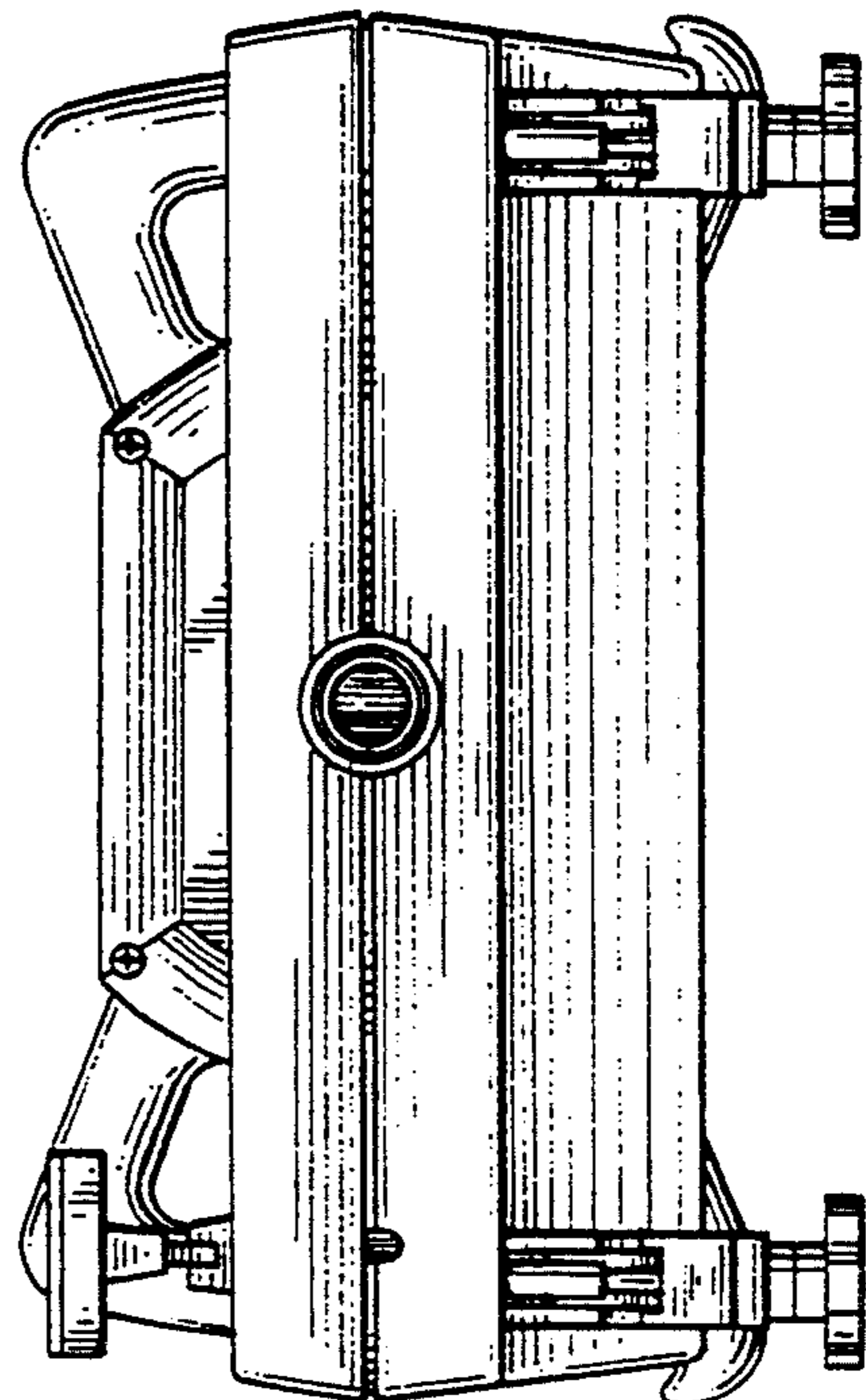


FIG. 7

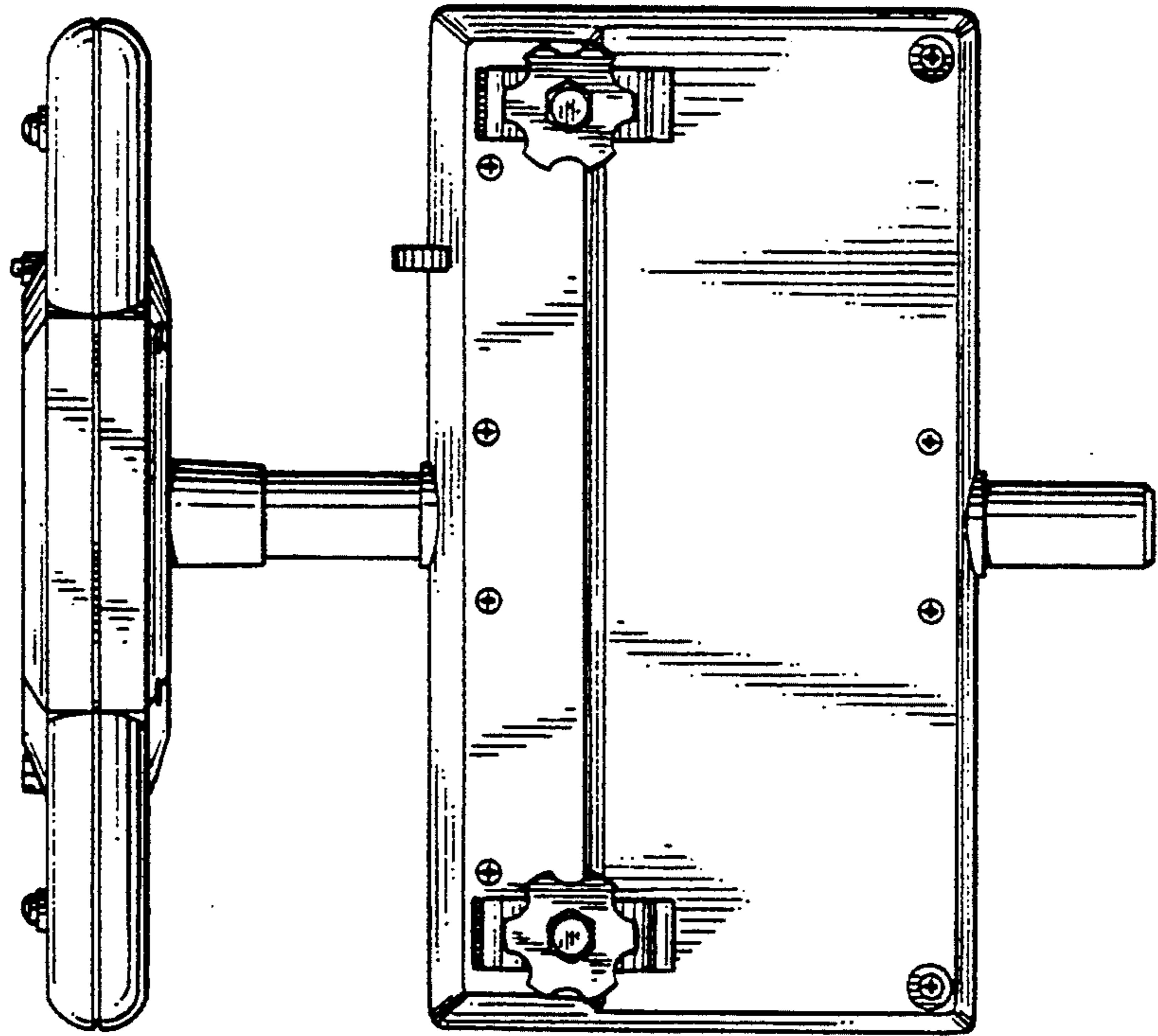


FIG. 6

