



US00D351829S

United States Patent [19]

[11] Patent Number: **Des. 351,829**

Maines

[45] Date of Patent: **** Oct. 25, 1994**

[54] **COMPUTER DISK CASE**

4,687,101 8/1987 Barker, Sr. et al. 206/444
5,090,561 2/1992 Spector 206/444 X

[76] Inventor: **Steven H. Maines**, 1850 Nixon
Maines Rd., Shreveport, La. 71107

Primary Examiner—James M. Gandy
Assistant Examiner—M. H. Tung
Attorney, Agent, or Firm—John M. Harrison

[**] Term: **14 Years**

[21] Appl. No.: **914,612**

[57] **CLAIM**

[22] Filed: **Jul. 17, 1992**

The ornamental design for a computer disk case, as shown and described.

[52] U.S. Cl. **D14/114**

[58] **Field of Search** 40/361; 206/309-313,
206/232, 387, 444; 360/60, 132-133, 135,
97.01-99.12; D3/30.1; D14/114; D19/1-3,
26-27

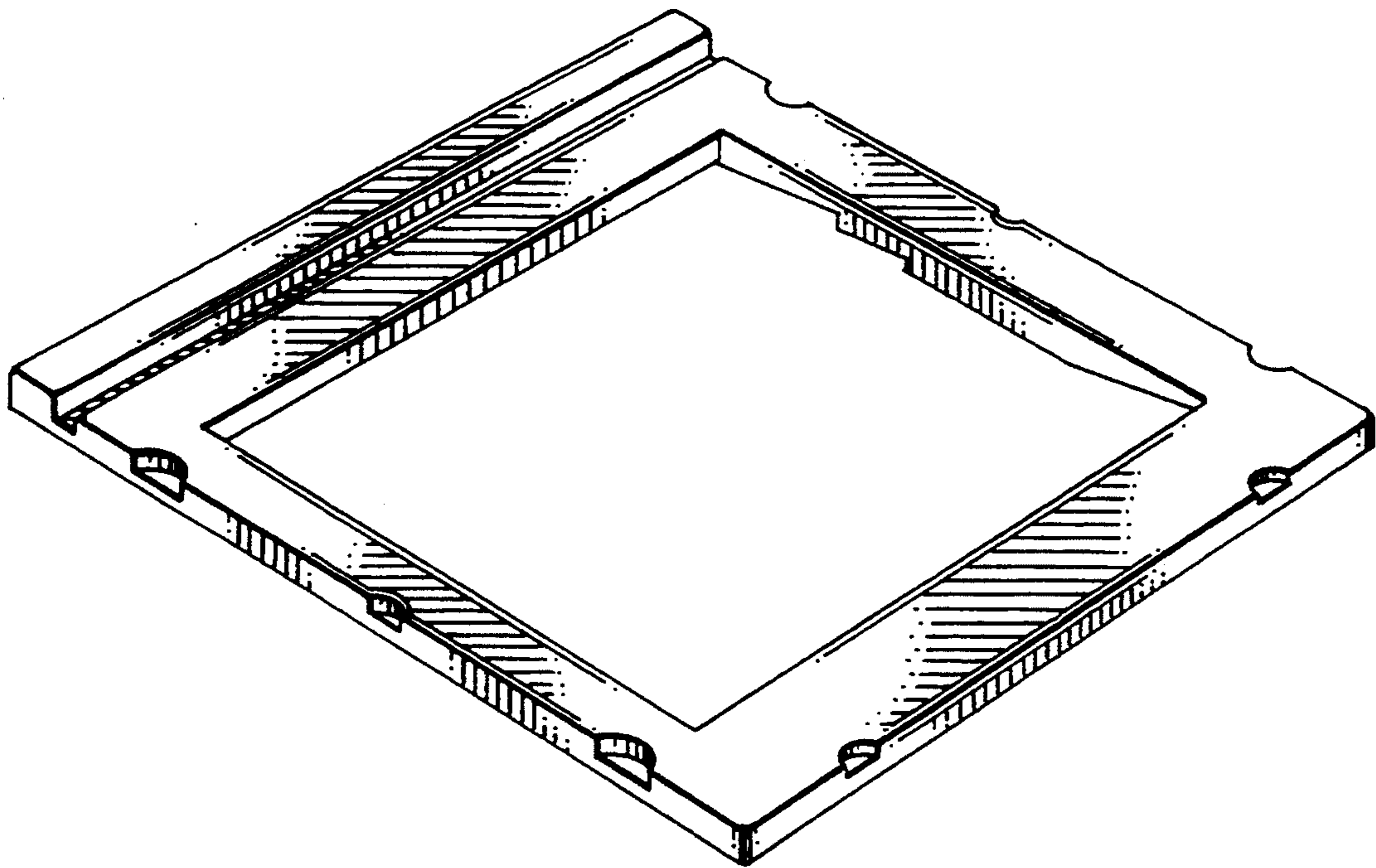
DESCRIPTION

[56] **References Cited**

U.S. PATENT DOCUMENTS

- D. 267,290 12/1982 Kurozumi D3/30.1
- D. 329,943 10/1992 Laszlo D3/35
- 4,159,827 7/1979 Torrington 206/444 X
- 4,463,849 8/1984 Prusak et al. 206/444 X

FIG. 1 is a perspective view of the computer disk case, showing my new design;
 FIG. 2 is a top elevation of the computer disk case;
 FIG. 3 is a bottom elevation thereof;
 FIG. 4 is a left side elevation thereof the right side is a mirror image;
 FIG. 5 is a rear elevation thereof; and,
 FIG. 6 is a front elevation of the computer disk case illustrated in FIGS. 1-5.



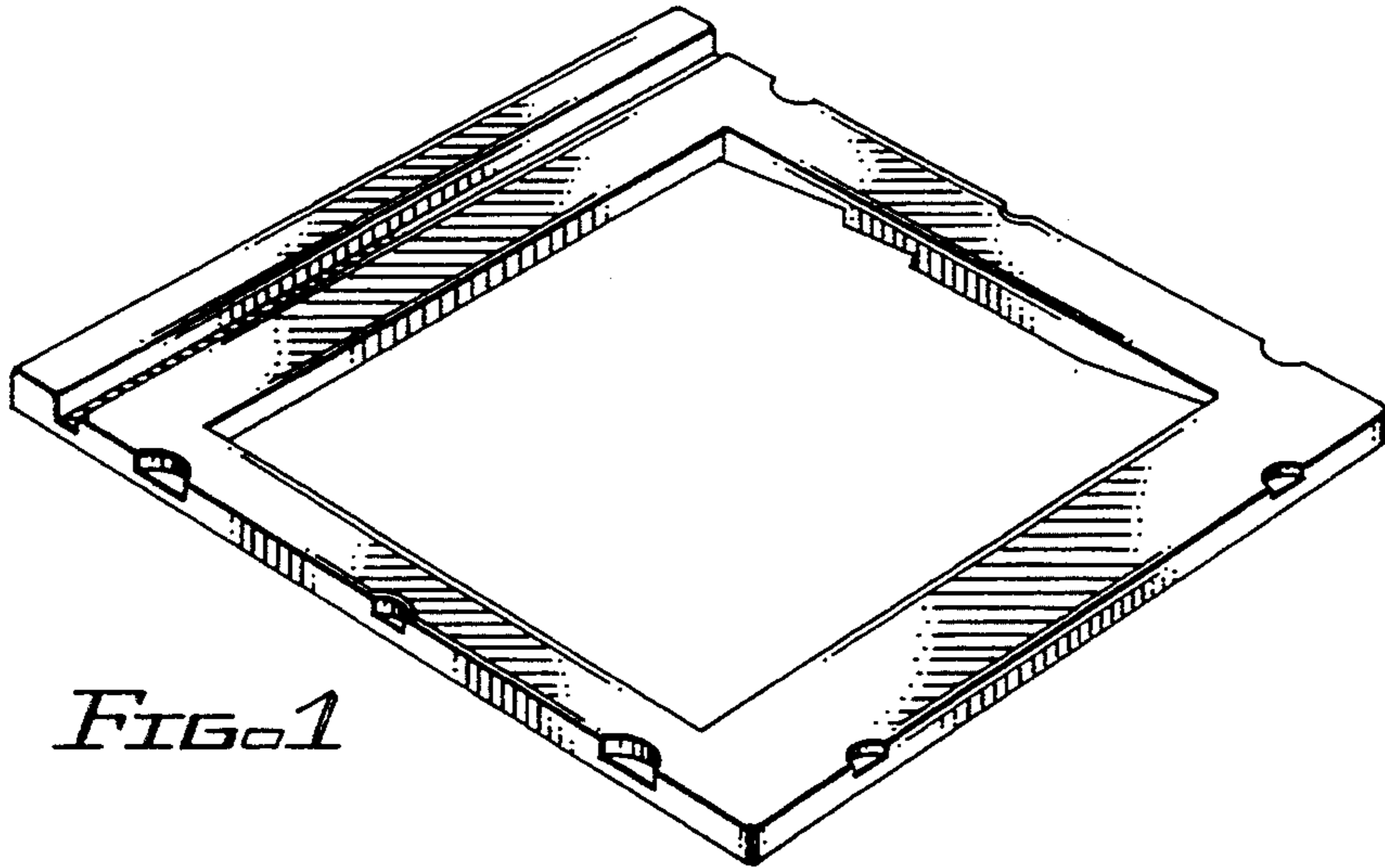


FIG. 1

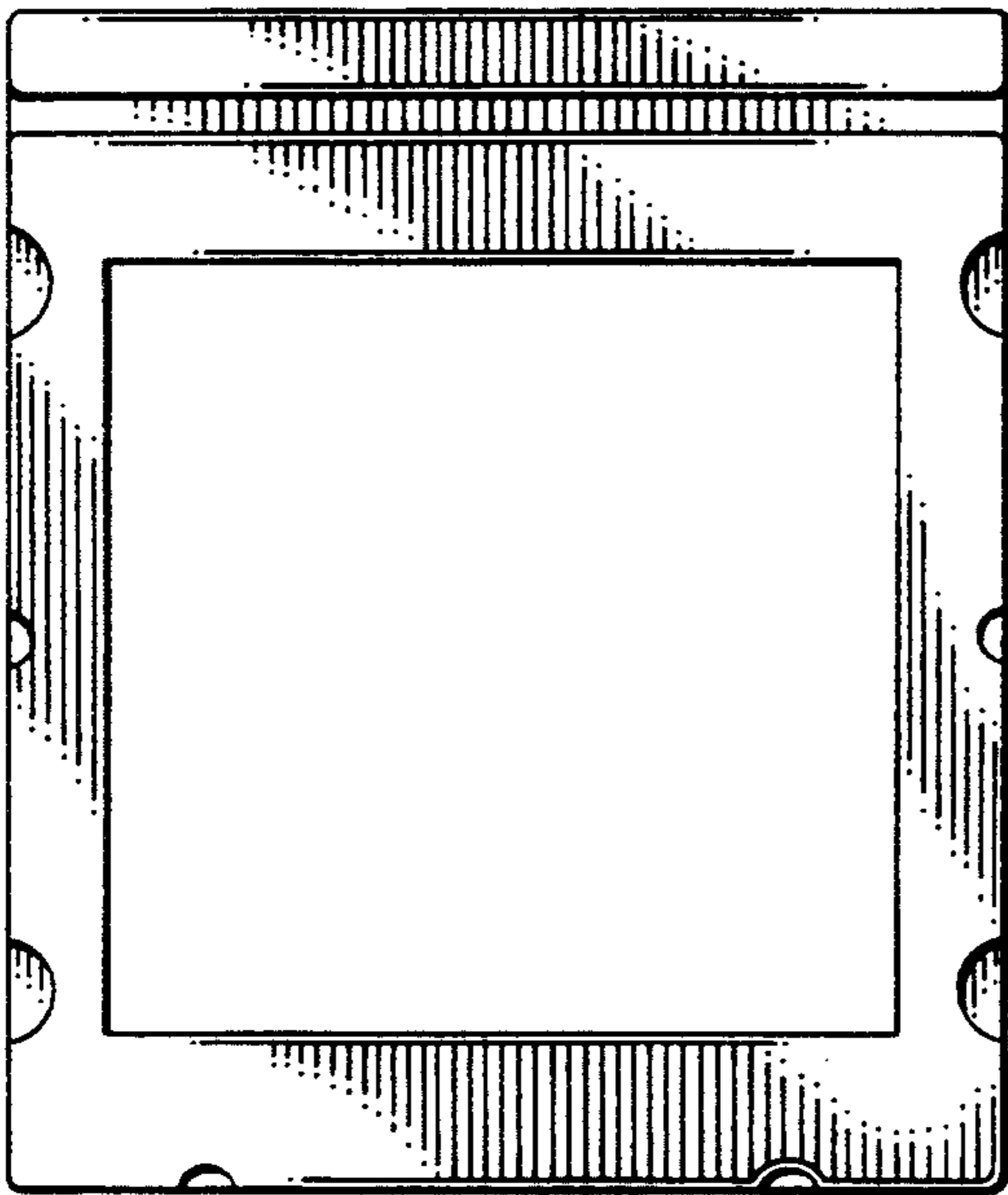


FIG. 2

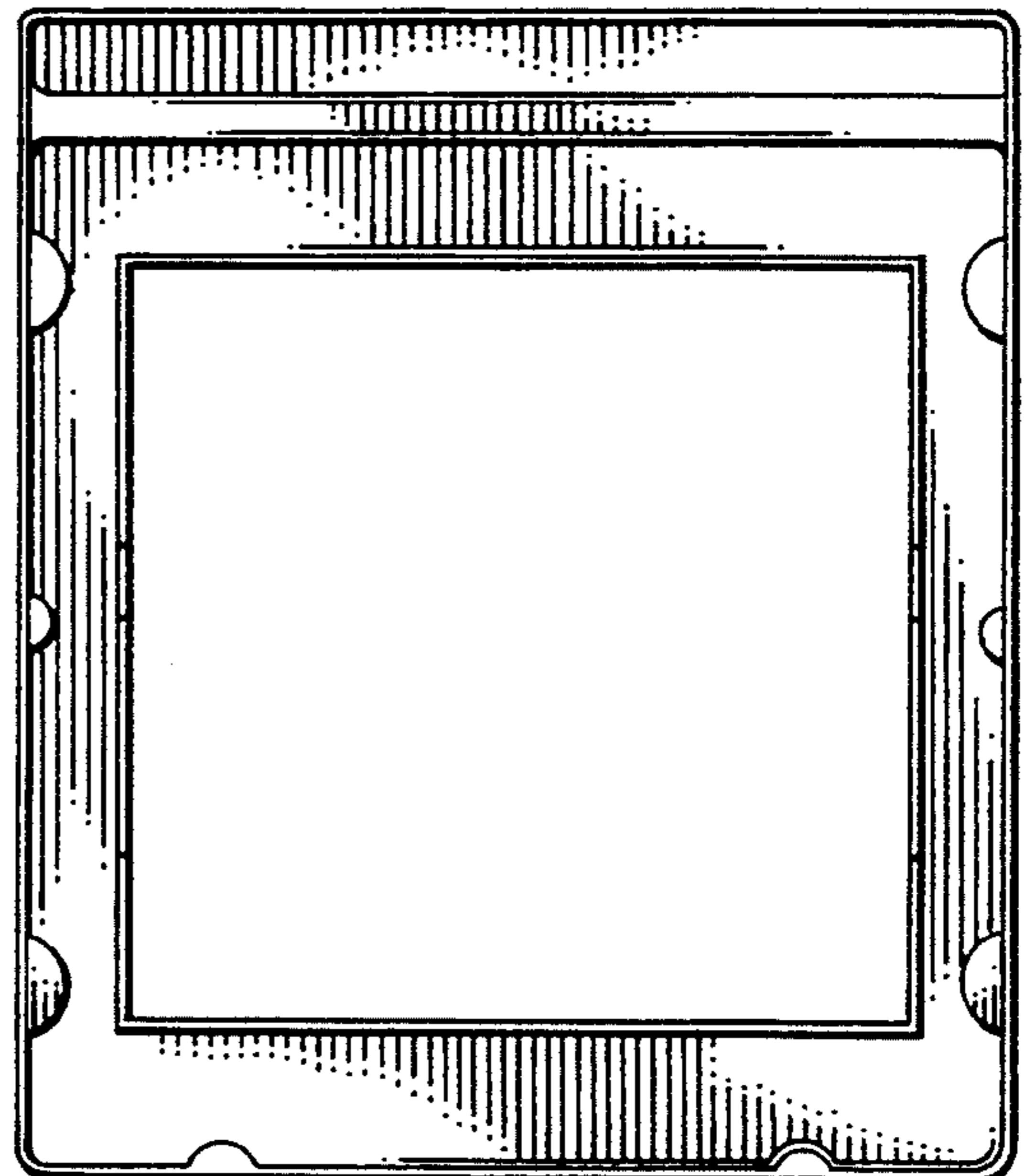


FIG. 3



FIG. 4



FIG. 5



FIG. 6