



US00D351824S

# United States Patent [19]

[11] Patent Number: **Des. 351,824**

**Bednar**

[45] Date of Patent: **\*\* Oct. 25, 1994**

[54] **PORTABLE COOLER AND HOUSING THEREFOR FOR A VEHICLE**

*Attorney, Agent, or Firm*—Basil E. Demeur; Alan B. Samlan

[75] Inventor: **Charles J. Bednar**, Oak Park, Ill.

[57] **CLAIM**

[73] Assignee: **Vermillion Technologies**, Elkhart, Ind.

The ornamental design for the portable cooler and housing therefor for a vehicle, as shown and described.

[\*\*] Term: **14 Years**

**DESCRIPTION**

[21] Appl. No.: **10,051**

FIG. 1 is a top, front, left side perspective view of the portable cooler and housing therefor for a vehicle showing my new design;

[22] Filed: **Jun. 28, 1993**

[52] U.S. Cl. .... **D12/423; D7/605**

FIG. 2 is a top, front, left side perspective view thereof;

[58] **Field of Search** ..... **D7/605-608; 62/371-372, 457.1, 457.7; 206/223, 541, 545, 549; 220/412, DIG. 10; 296/37.1, 37.6, 37.8, 37.13, 37.16; D12/423**

FIG. 3 is an exploded perspective view thereof;

FIG. 4 is a front elevational view of the cooler portion;

FIG. 5 is a front elevational view of the housing portion;

[56] **References Cited**

**U.S. PATENT DOCUMENTS**

4,752,096 6/1988 Ishikawa ..... 296/37.16

FIG. 6 is a side elevational view thereof in an open position;

FIG. 7 is a rear elevational view housing portion; and,

FIG. 8 is a rear elevational view of the cooler portion.

The cooler and hosing are shown separately in FIGS. 4-8 for clarity of illustration.

*Primary Examiner*—Terry A. Wallace

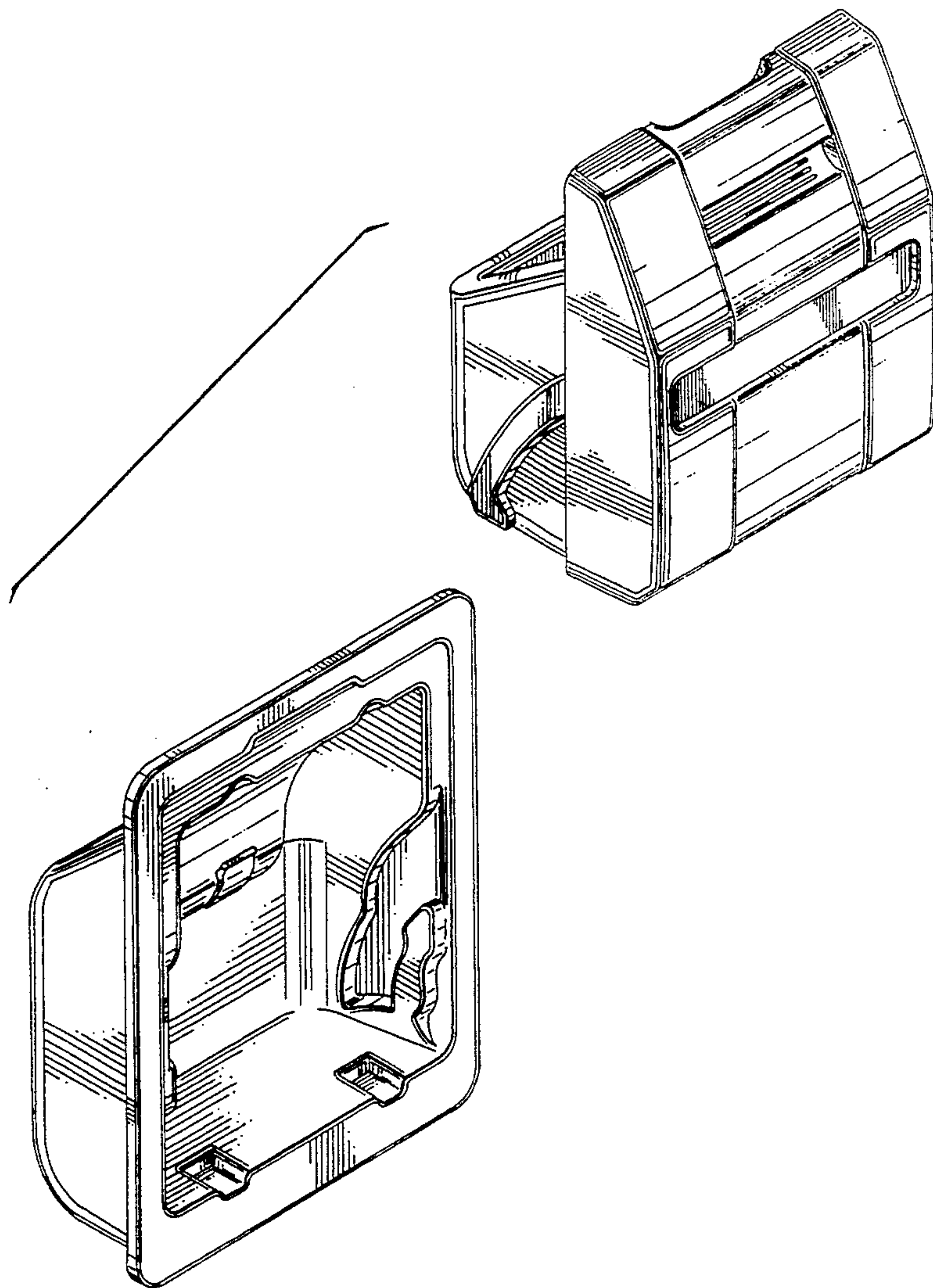


FIG. 1

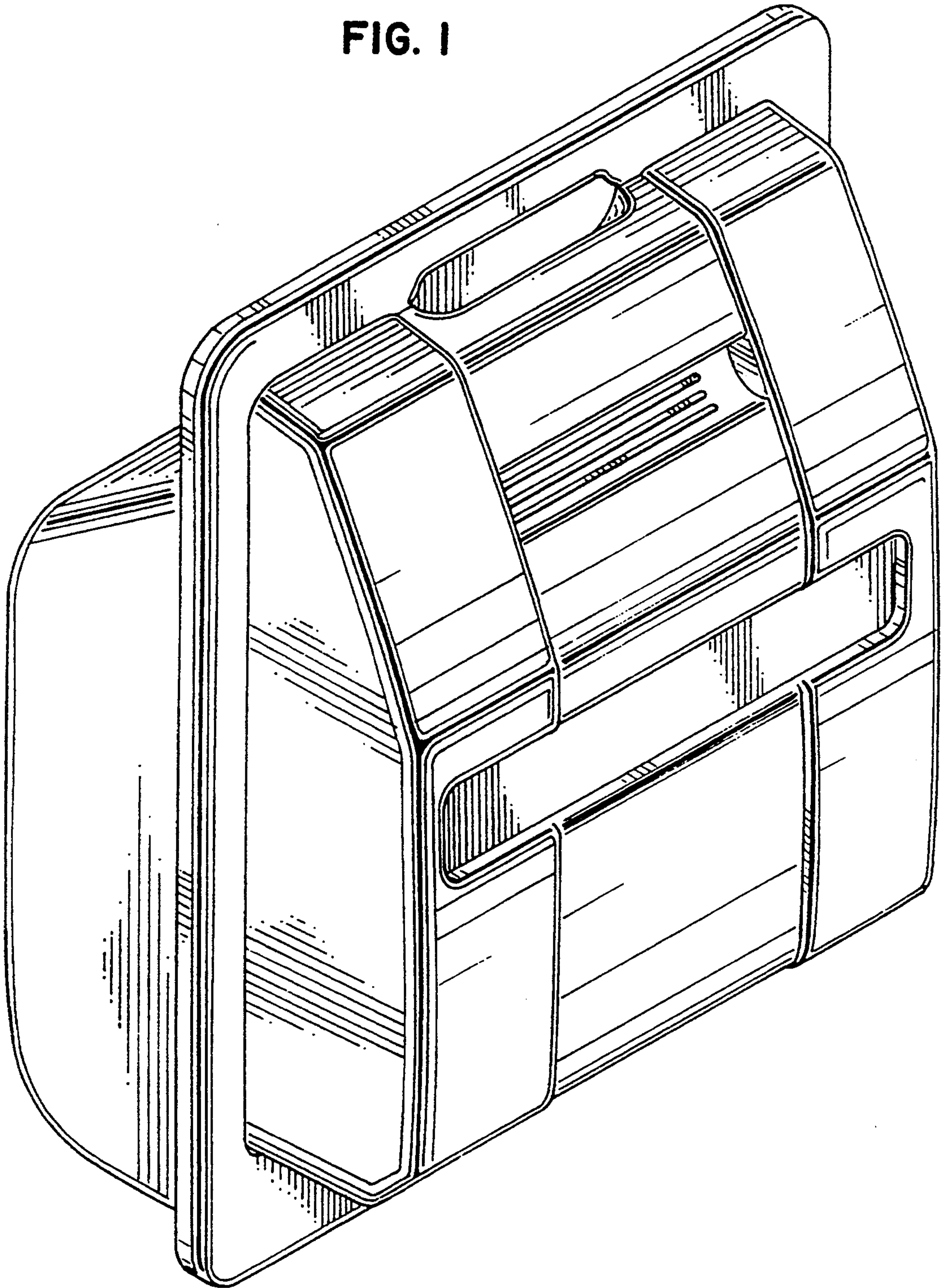




FIG. 2

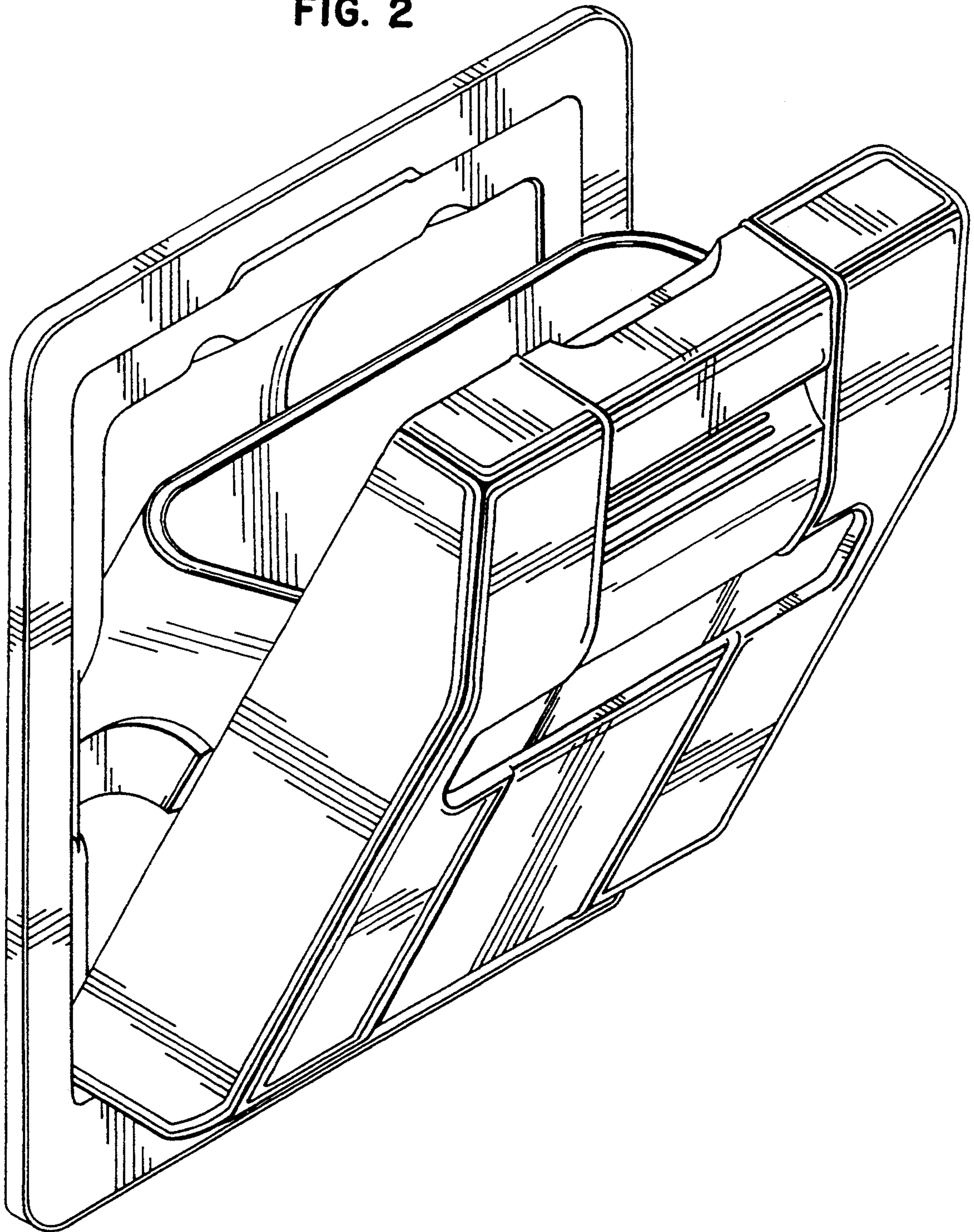


FIG. 3

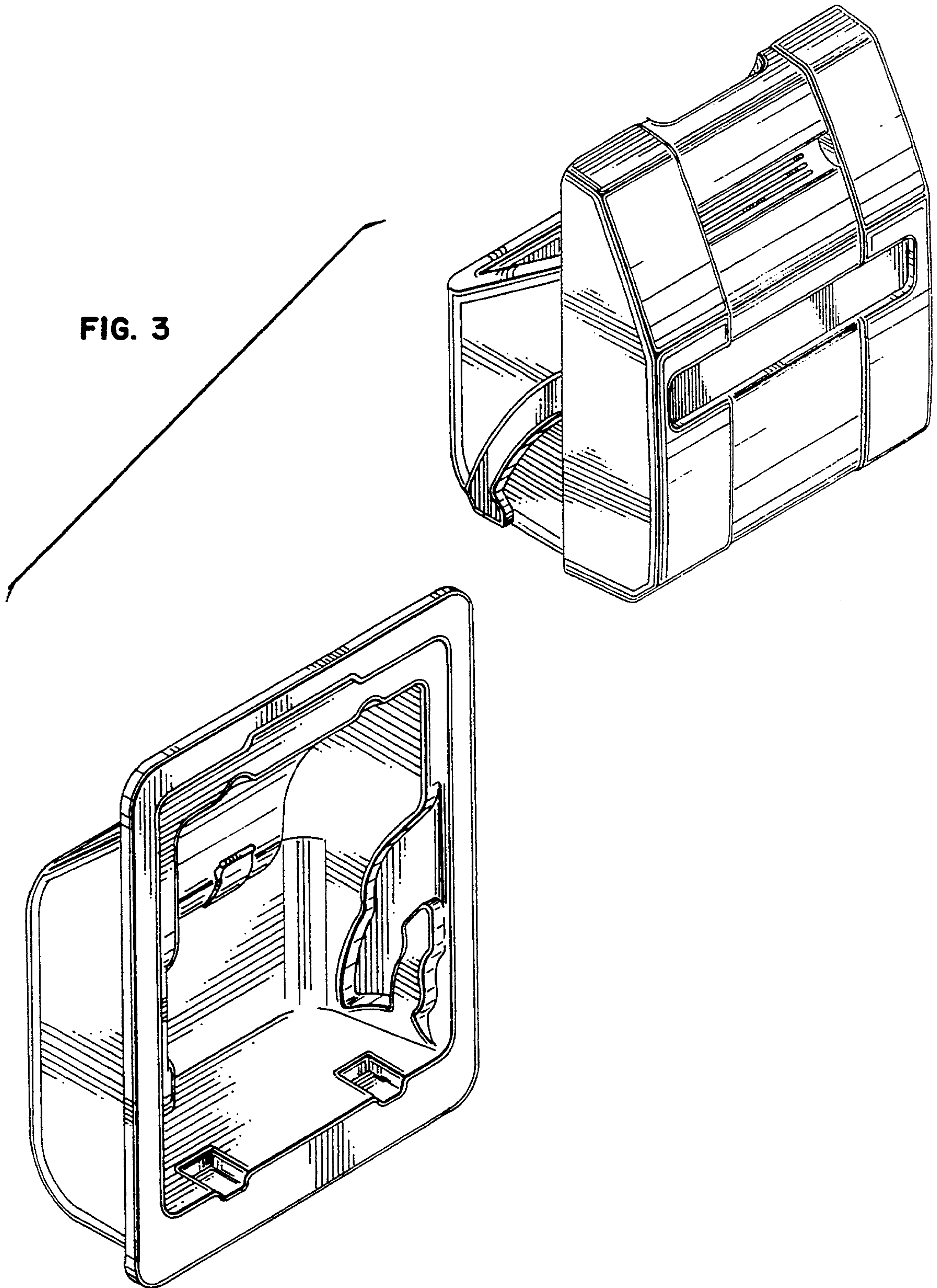




FIG. 4

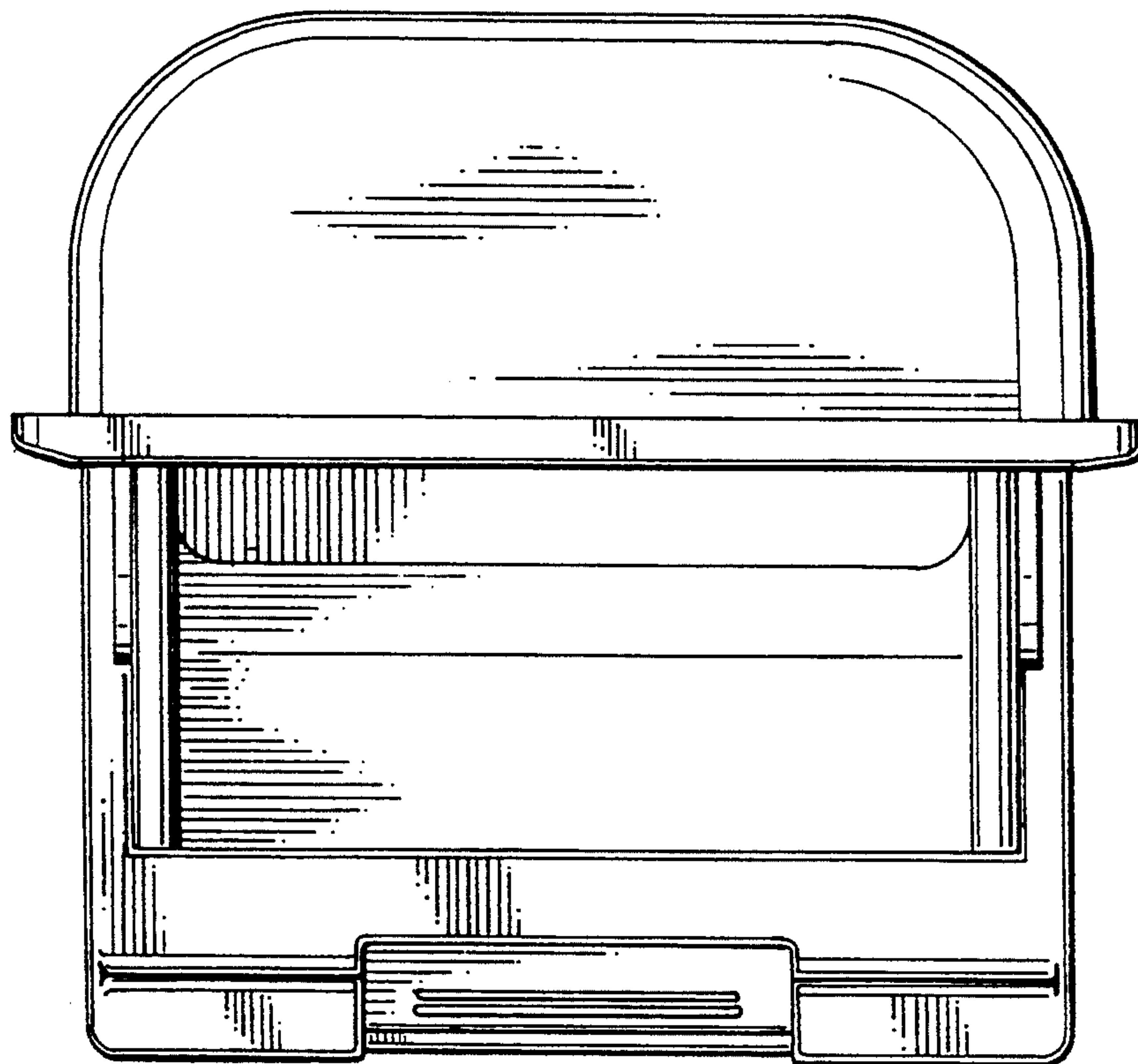


FIG. 5

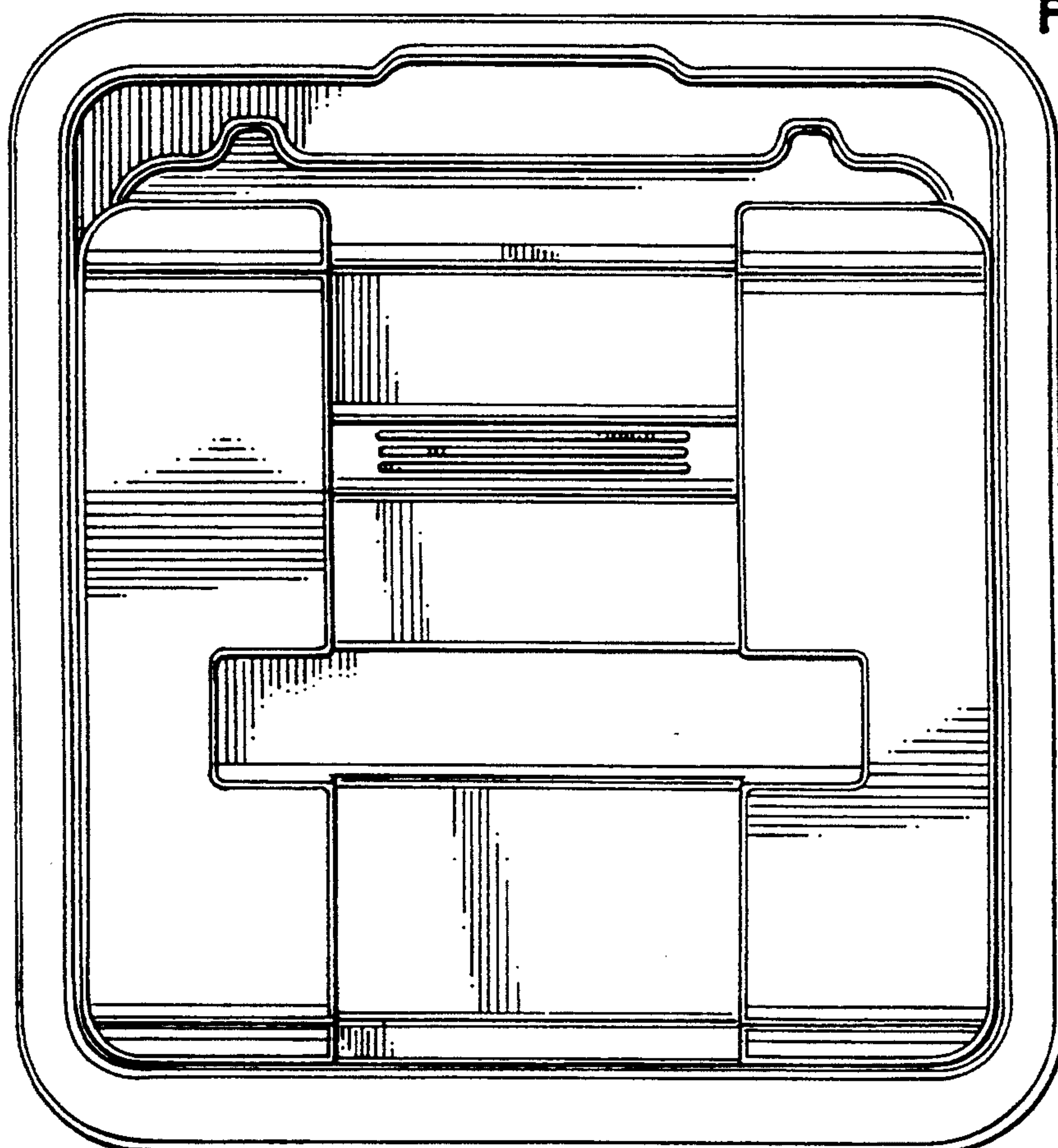


FIG. 6

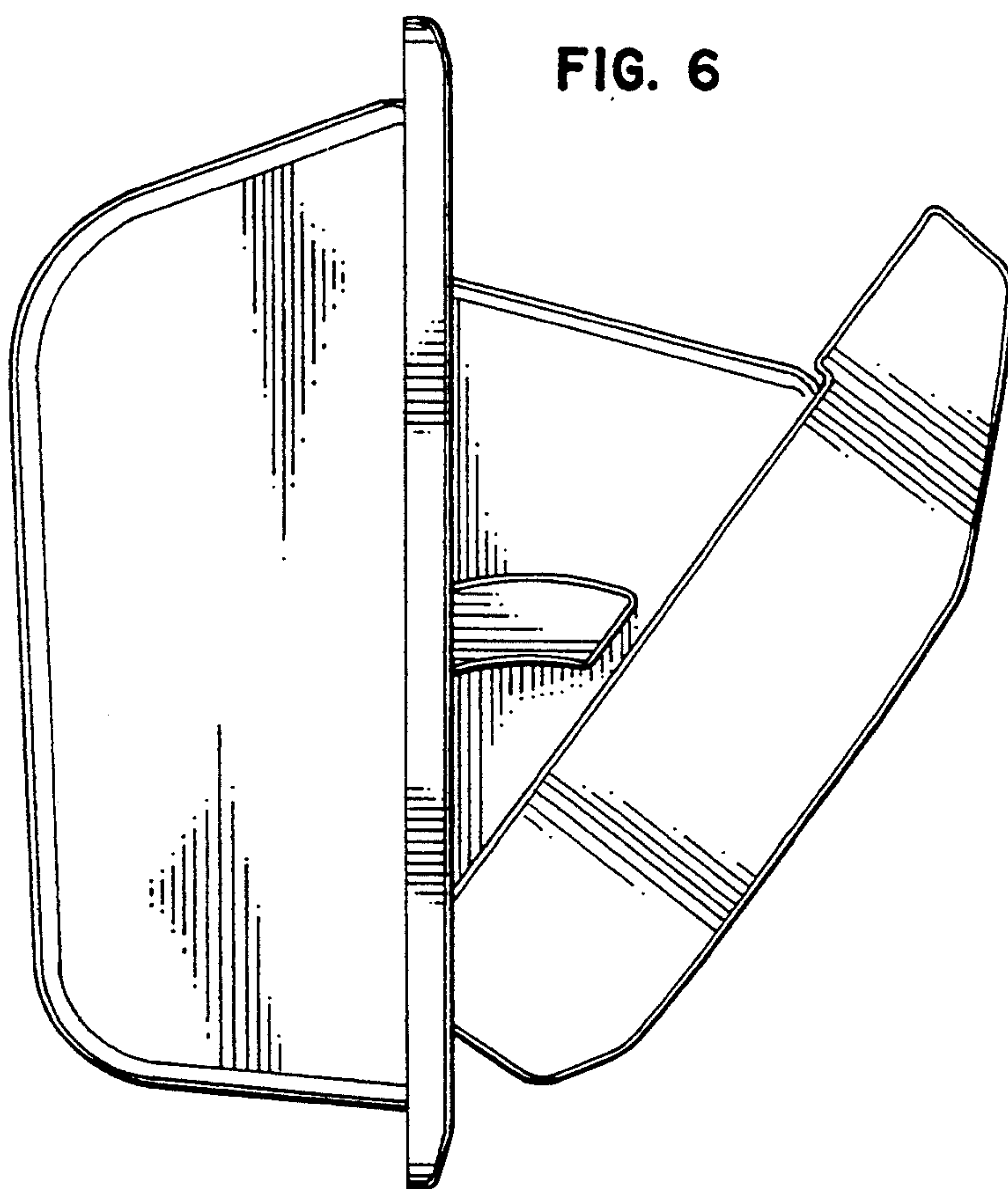


FIG. 7

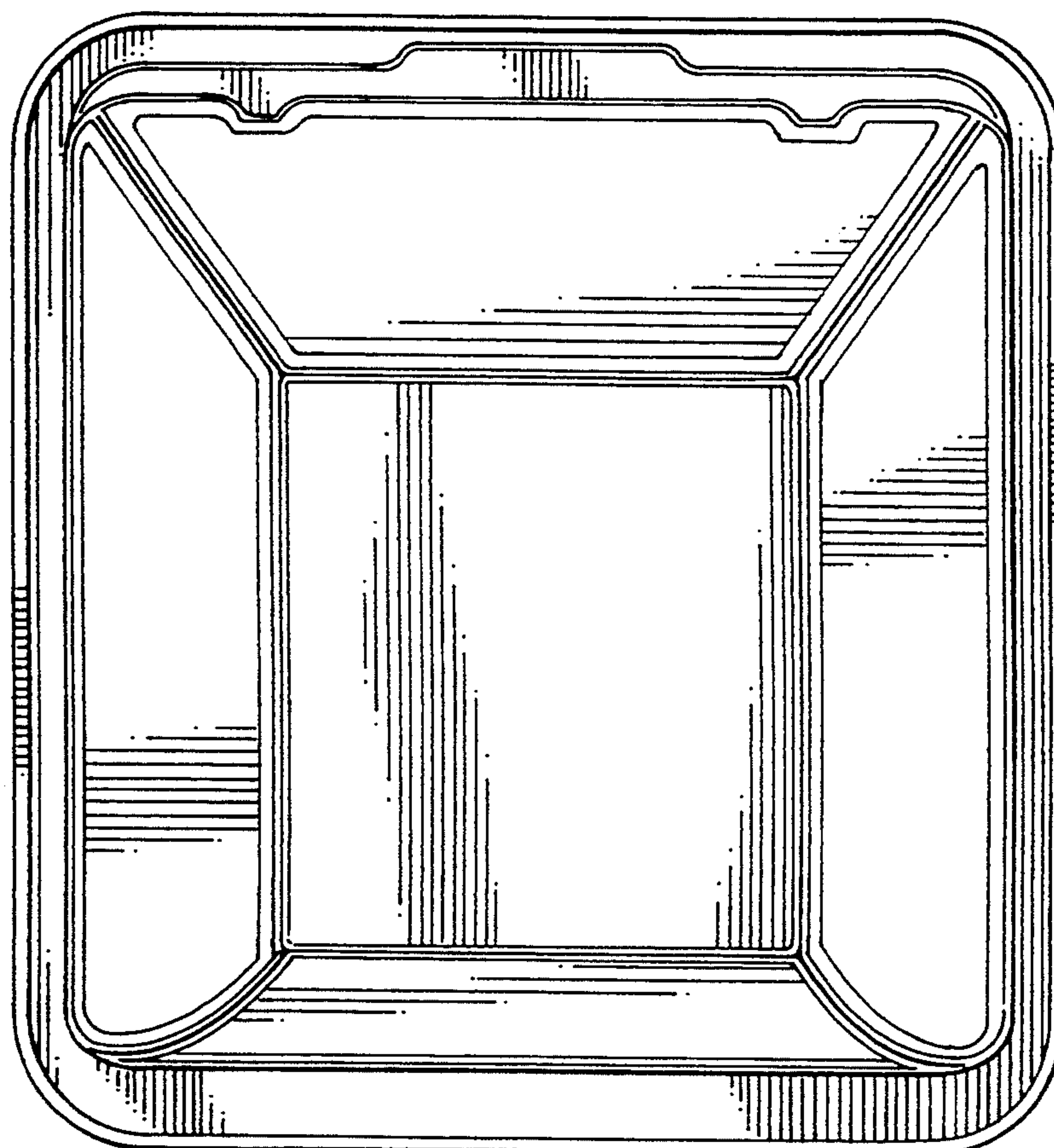


FIG. 8

