



US00D351823S

United States Patent [19]

[11] Patent Number: **Des. 351,823**

Lewellen et al.

[45] Date of Patent: **** Oct. 25, 1994**

[54] ENCLOSURE CANOPY FOR A UTILITY TRUCK

D. 264,576 5/1982 Godwin D12/156

[75] Inventors: **Richard Lewellen; Robert M. Lapsley; Thomas J. Boyer**, all of Wooster, Ohio

Primary Examiner—James M. Gandy
Attorney, Agent, or Firm—Watts, Hoffmann Fisher & Heinke

[73] Assignee: **Stahl/Scott Fetzer Company**, Wooster, Ohio

[57] **CLAIM**

The ornamental design for a enclosure canopy for a utility truck, as shown and described.

[**] Term: **14 Years**

DESCRIPTION

[21] Appl. No.: **8,290**

FIG. 1 is a perspective view of a enclosure canopy for a utility truck showing our new design; FIG. 2 is a left side elevational view thereof, the right side elevational view being a mirror image thereof; FIG. 3 is a rear elevational view thereof; FIG. 4 is a front elevational view thereof; FIG. 5 is a top plan view thereof; and, FIG. 6 is a bottom plan view thereof.

[22] Filed: **May 13, 1993**

[52] U.S. Cl. **D12/405**

[58] Field of Search 296/10, 164, 99.1, 100, 296/183, 26; D12/156

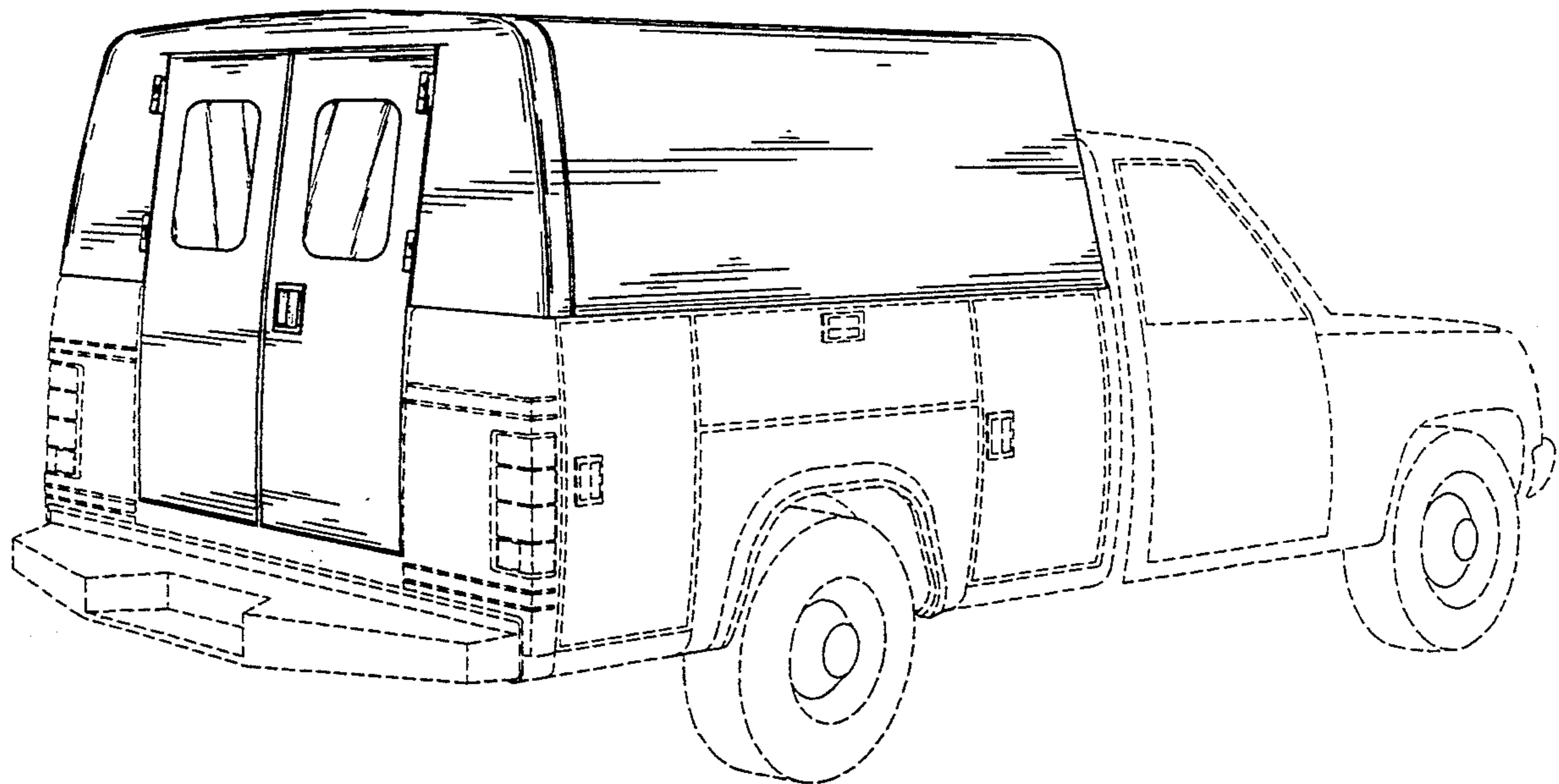
The broken line showing of a pickup truck in the drawings is for illustrative purposes only and forms no part of the claimed design.

[56] **References Cited**

U.S. PATENT DOCUMENTS

D. 249,675 9/1978 Mashigan D12/156

D. 254,971 5/1980 Riddle D12/156



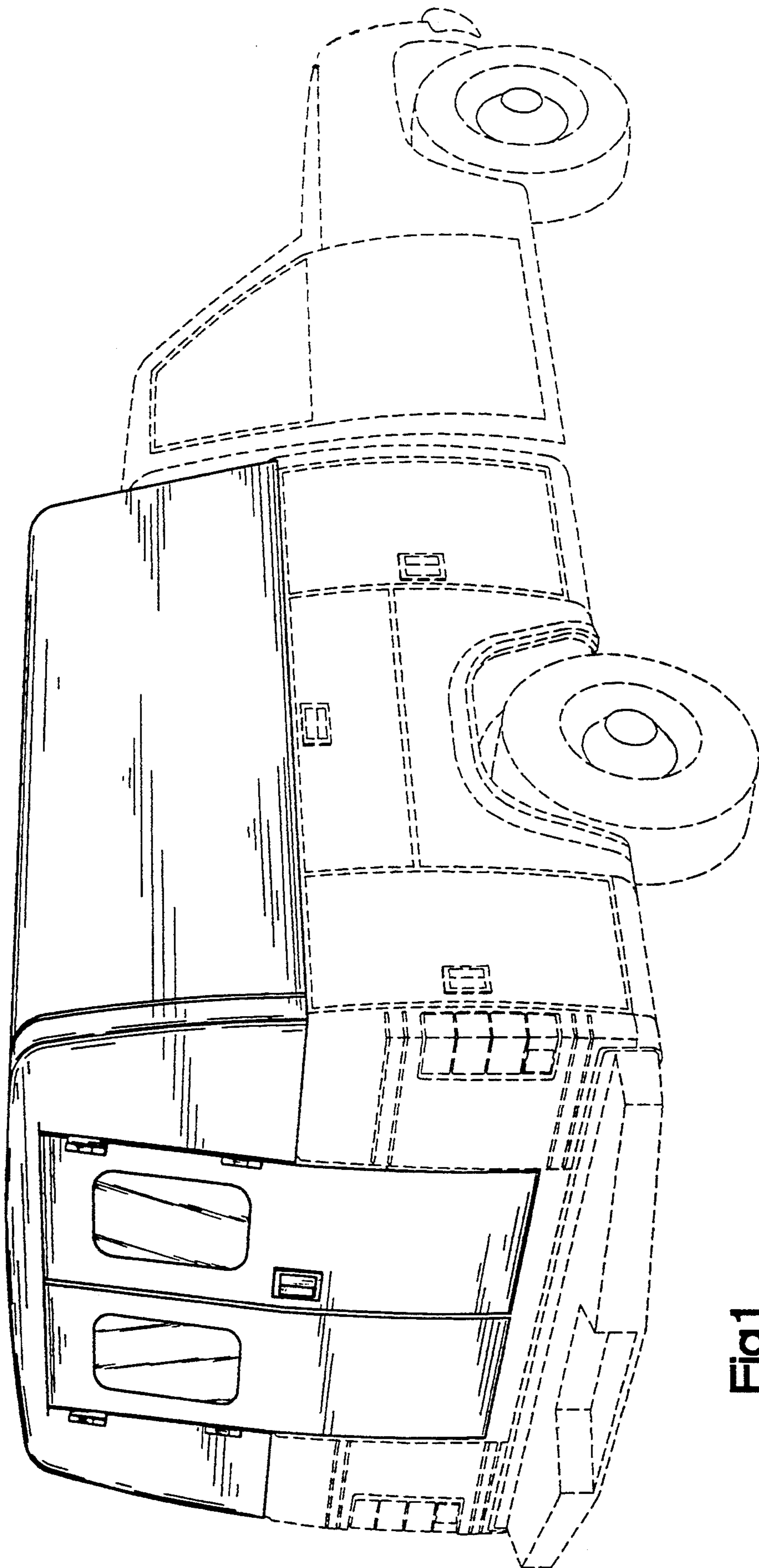


Fig.1

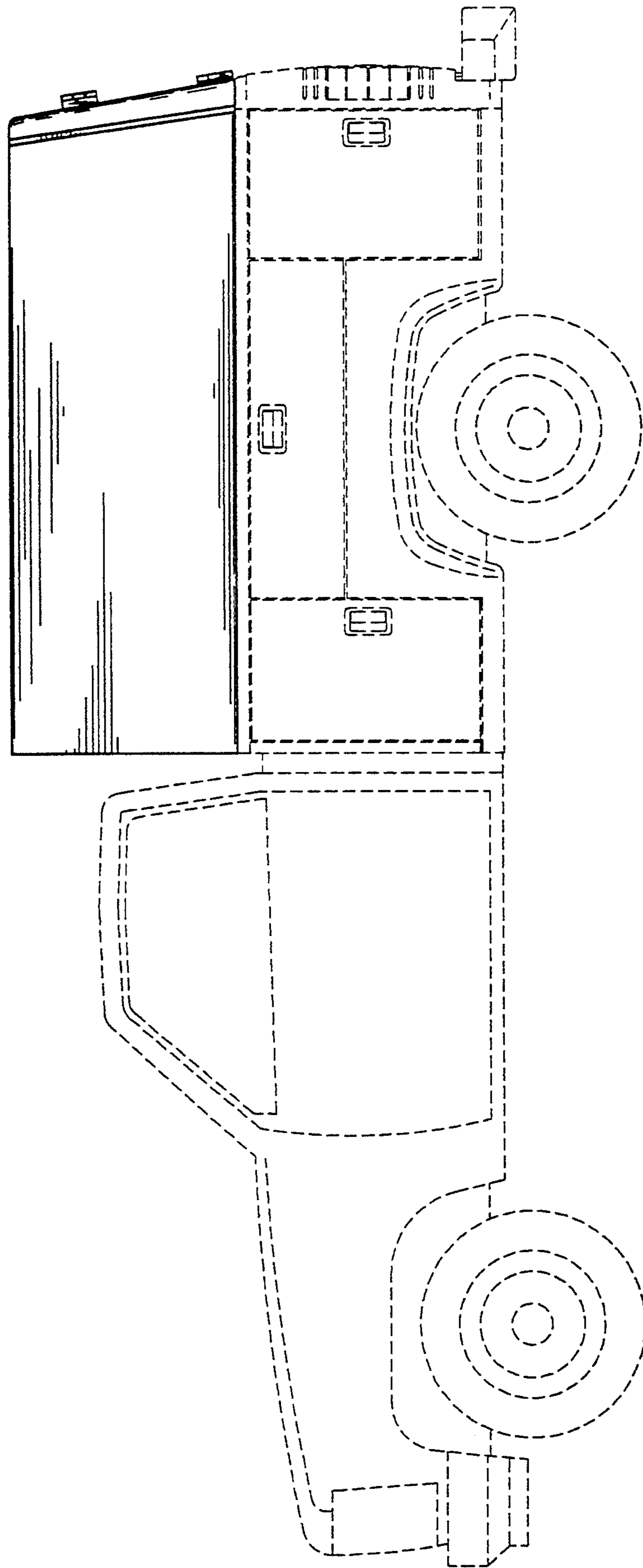


Fig.2

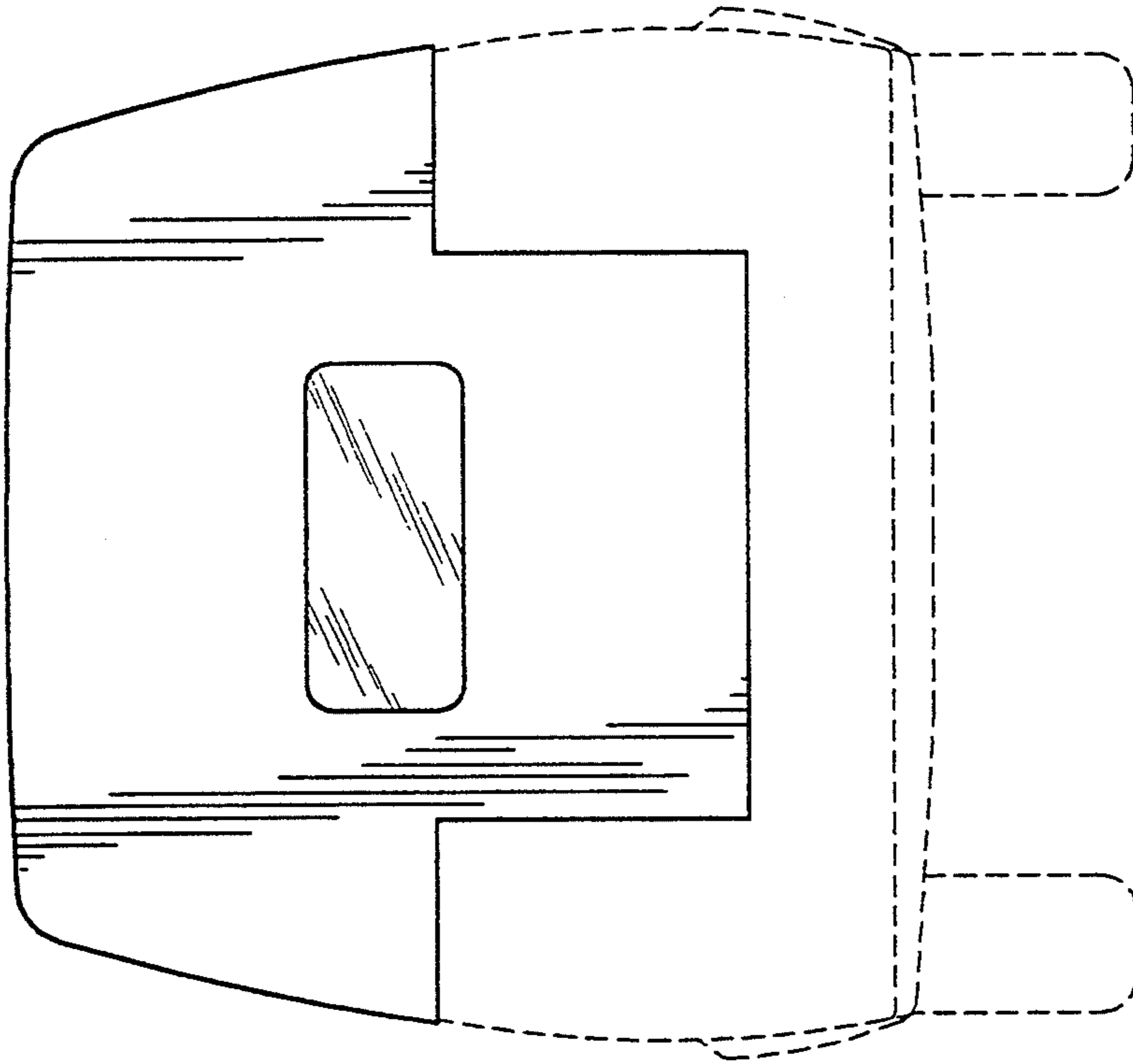


Fig.4

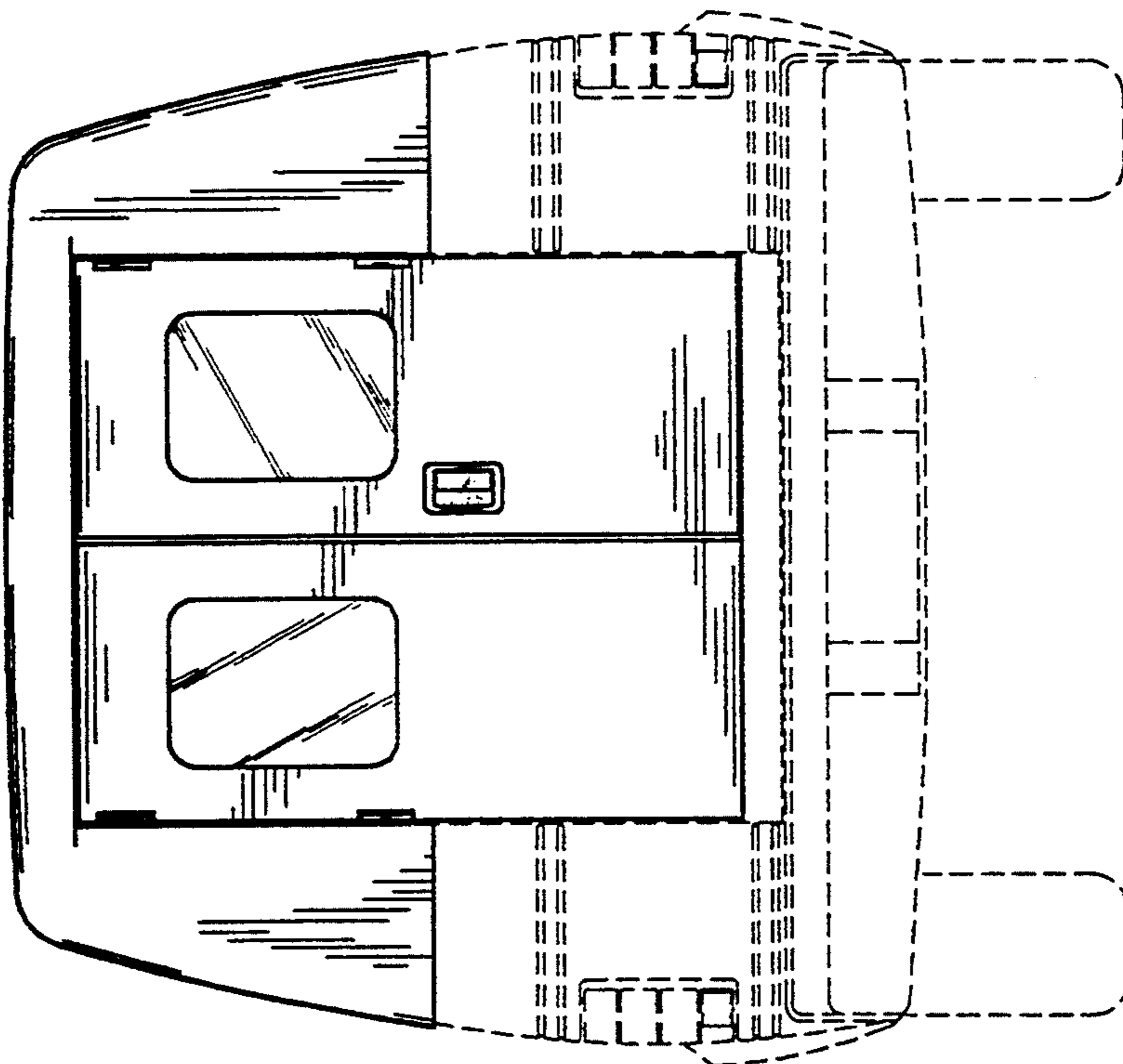


Fig.3

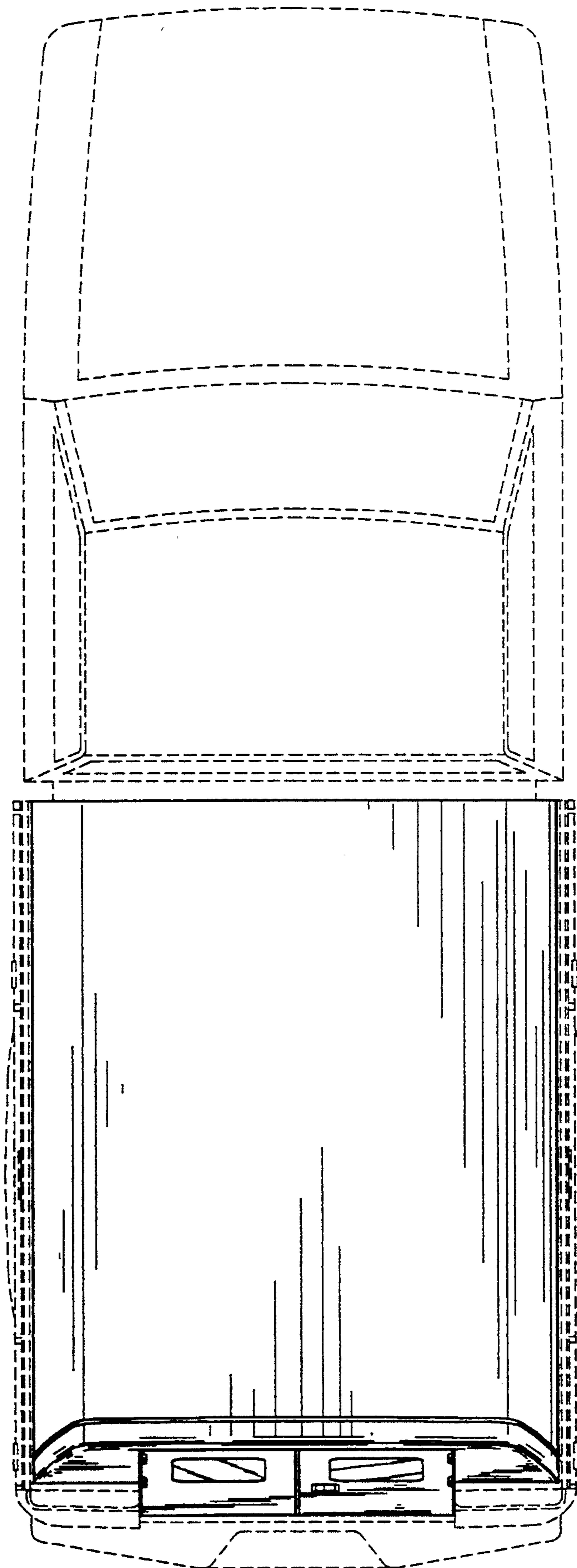


Fig.5

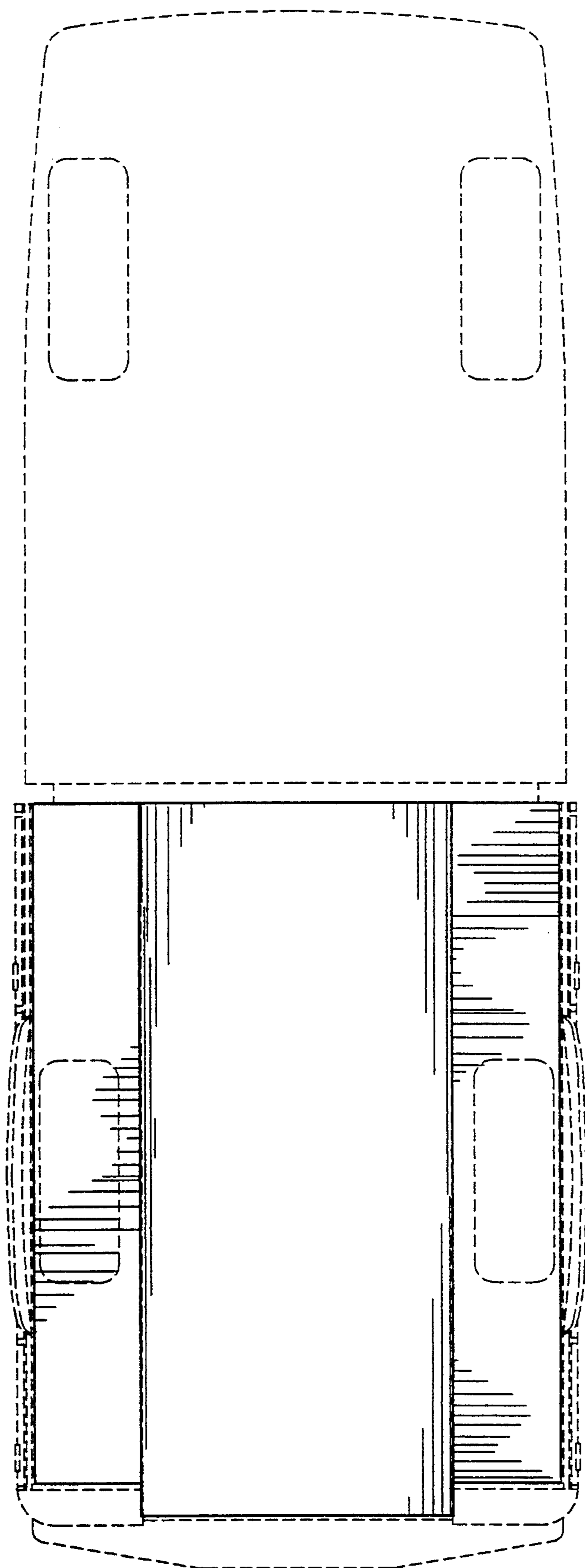


Fig.6