



US00D351815S

# United States Patent [19]

[11] Patent Number: **Des. 351,815**

**Bennett**

[45] Date of Patent: **\*\* Oct. 25, 1994**

[54] CUFF LINK

3,144,692 8/1964 Espino ..... D11/226

[75] Inventor: **Robert B. Bennett**, Englewood, N.J.

*Primary Examiner*—Ralf T. Seifert

[73] Assignee: **Chromalloy American Corporation**,  
St. Louis, Mo.

*Attorney, Agent, or Firm*—Mitchell D. Bittman

[\*\*] Term: **14 Years**

[57] **CLAIM**

[21] Appl. No.: **5,805**

The ornamental design for a cuff link, as shown and described.

[22] Filed: **Mar. 11, 1993**

**DESCRIPTION**

[52] U.S. Cl. .... **D11/222**

FIG. 1 is a perspective view of a cuff link showing my new design;

[58] Field of Search ..... 24/41-47;  
D11/200, 213, 214, 215, 216, 226, 227, 228, 222,  
56

FIG. 2 is an enlarged partial perspective view, the portion not showing has been removed for ease of illustration;

[56] **References Cited**

FIG. 3 is a front elevational view showing the shank in an alternate position;

**U.S. PATENT DOCUMENTS**

- D. 111,057 8/1938 Anderson ..... D11/213
- D. 263,765 4/1982 Engelhardt ..... D11/226
- D. 290,446 6/1987 Bulgari ..... D11/56

FIG. 4 is a side elevational view of FIG. 3;

FIG. 5 is a top plan view of FIG. 3;

FIG. 6 is a bottom plan view of FIG. 3; and,

FIG. 7 is a rear elevational view of FIG. 1.

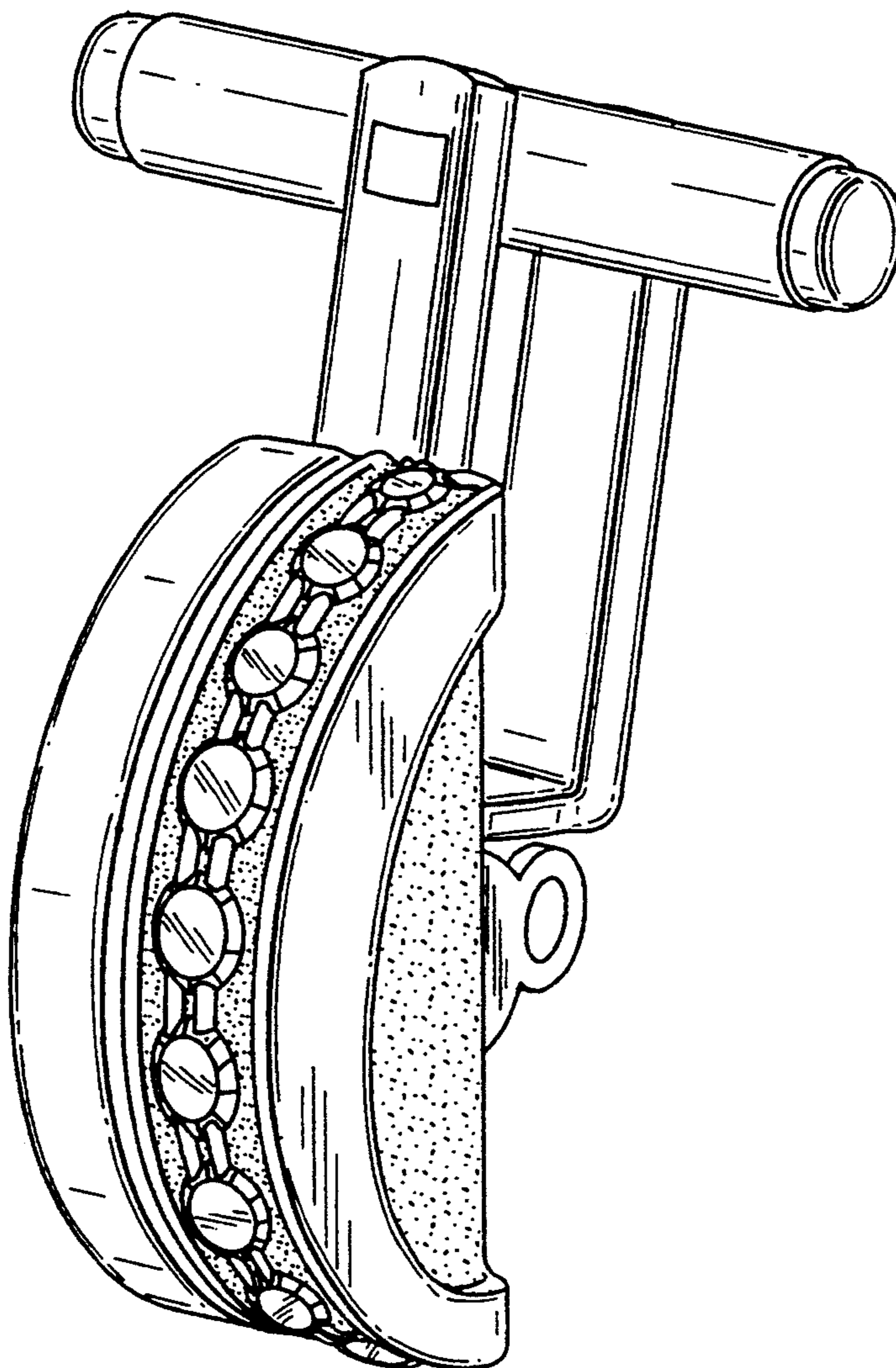


FIG-1

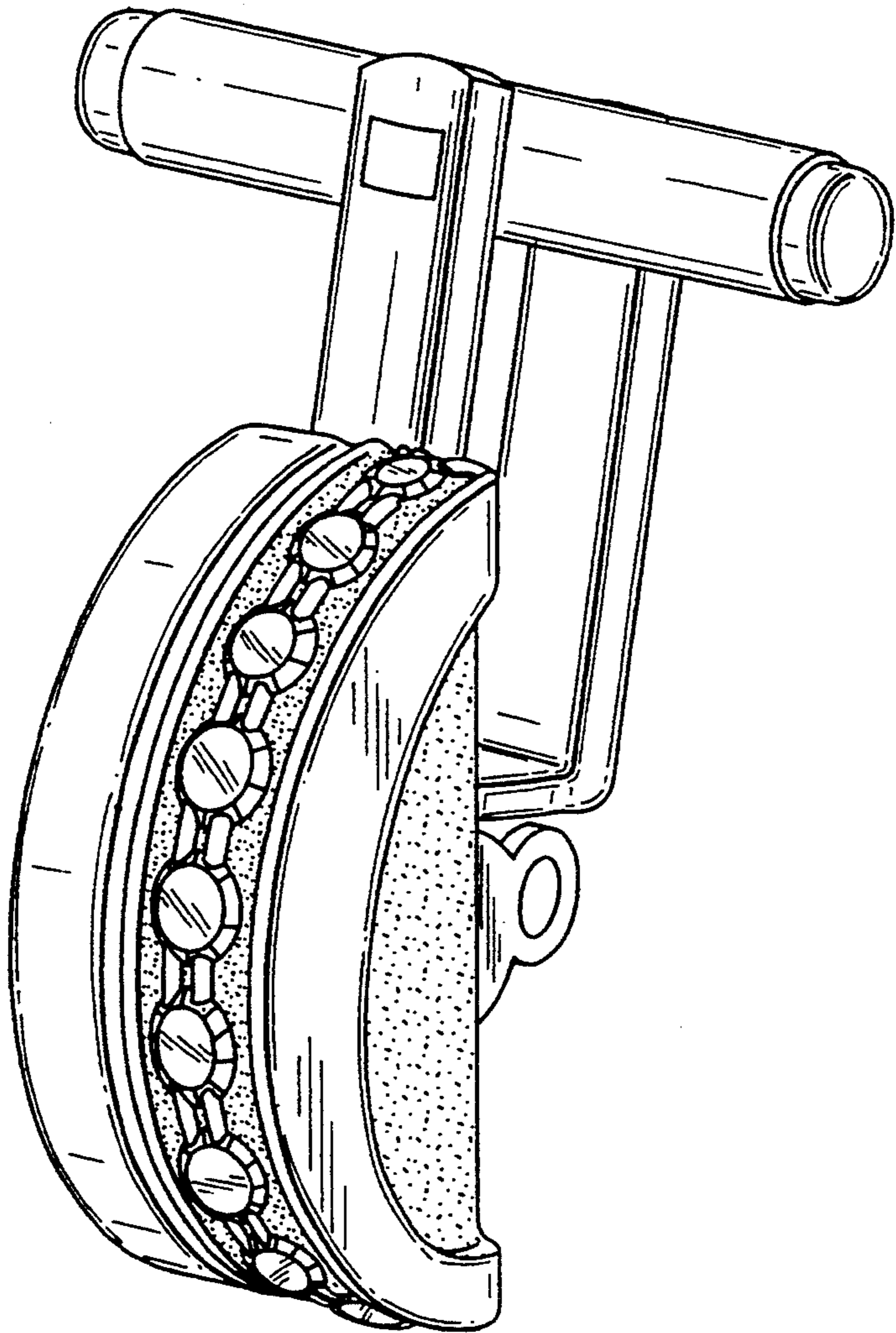


FIG-2

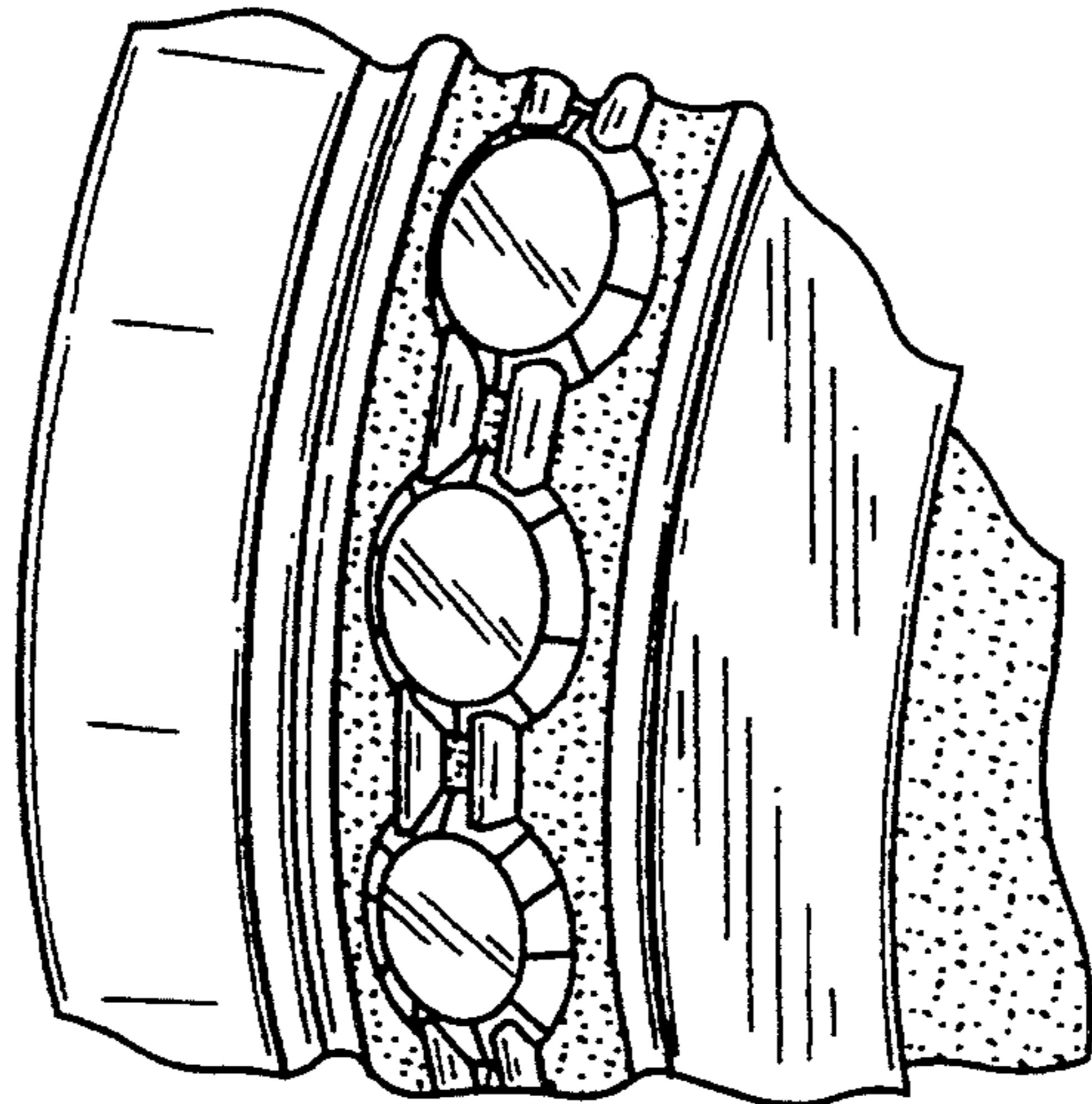


FIG-3

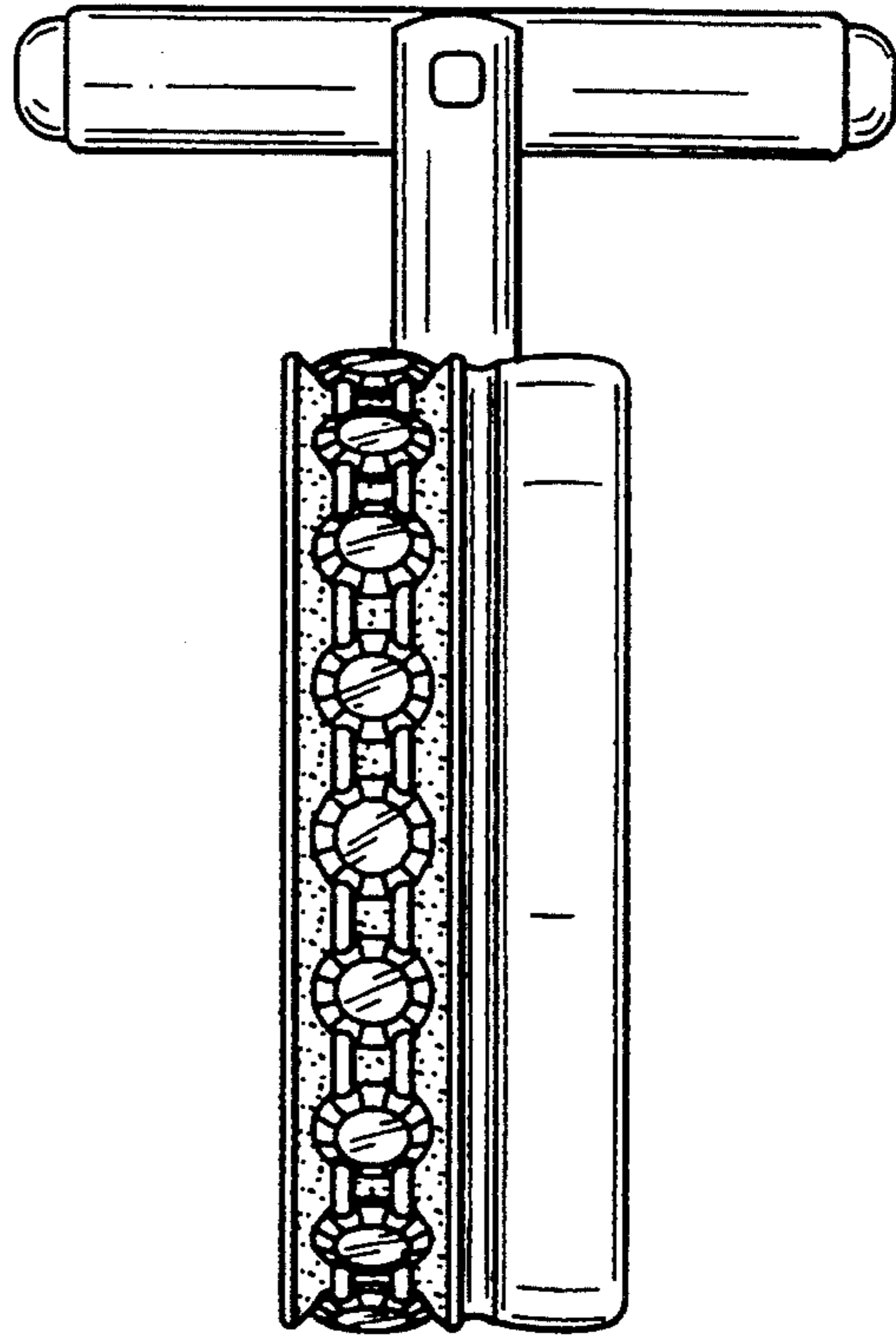


FIG-4

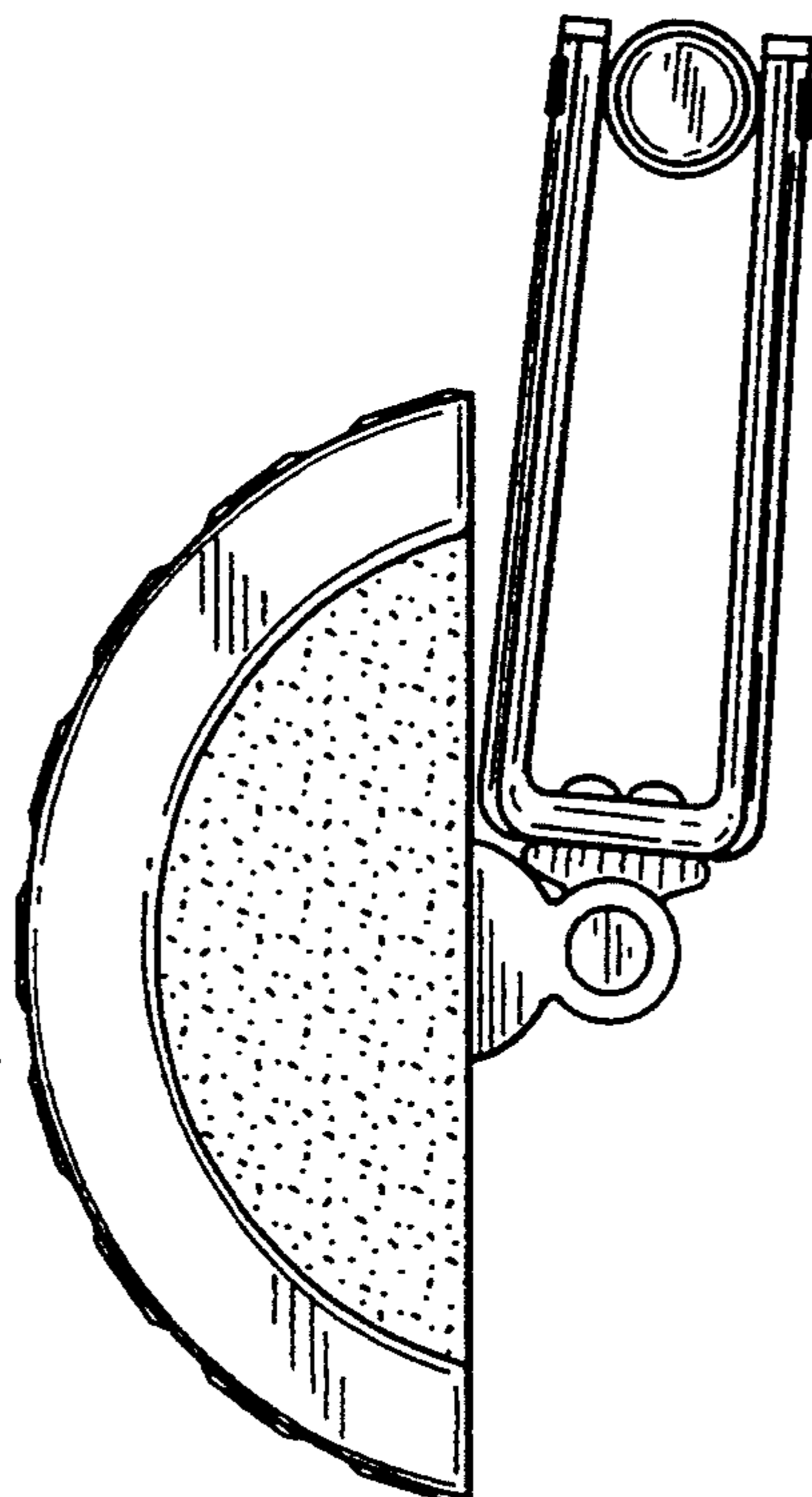


FIG-5

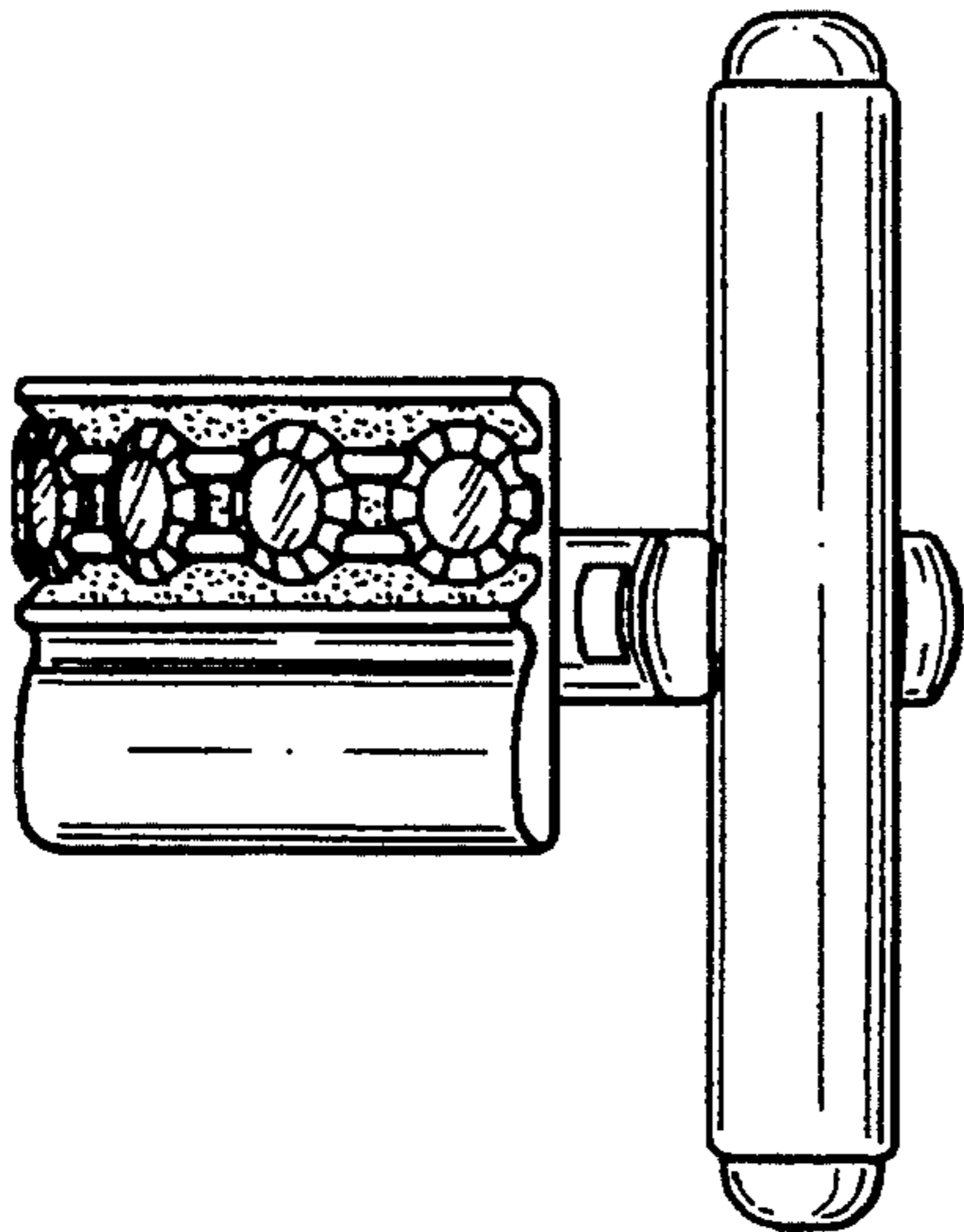


FIG-6

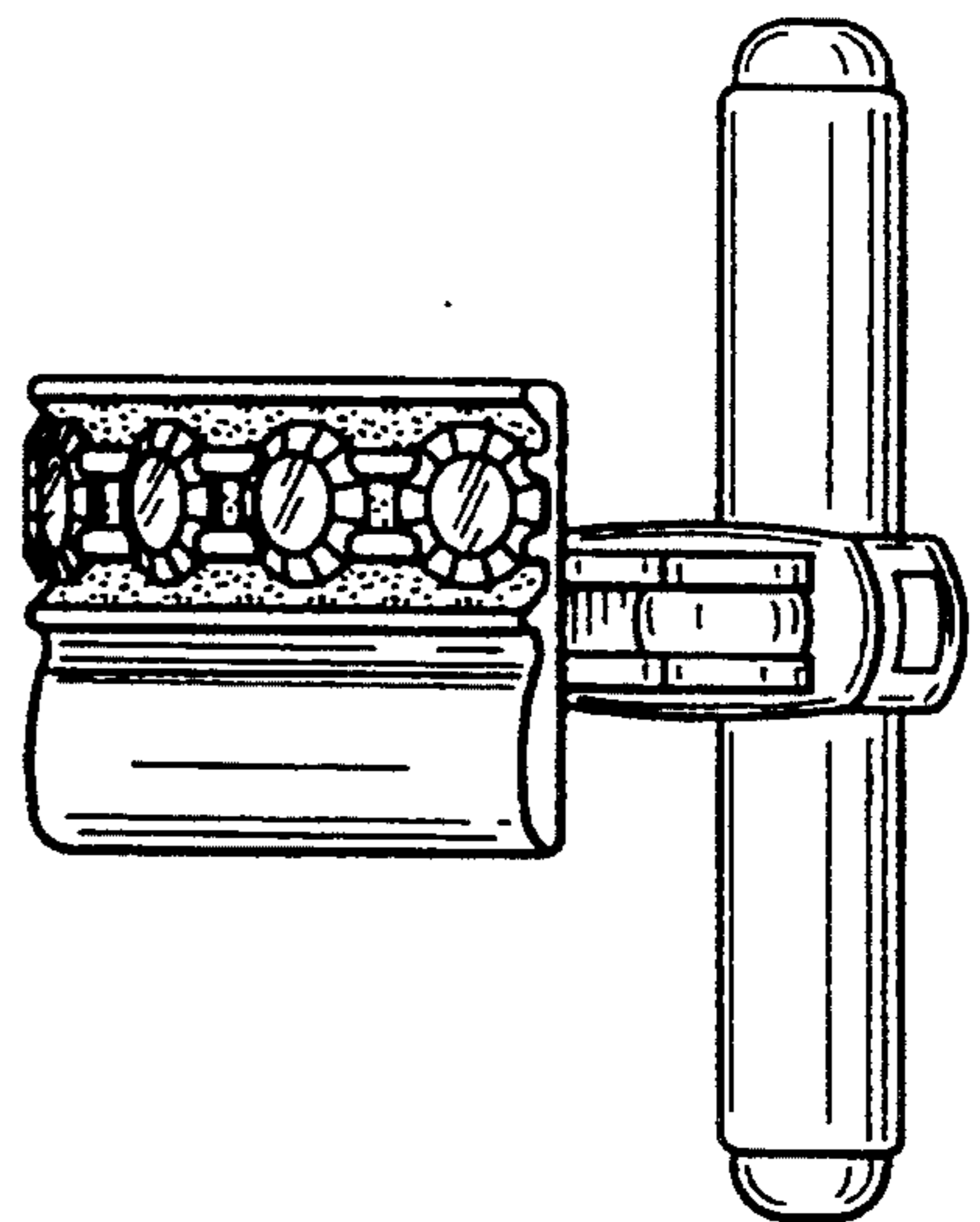


FIG-7

