



US00D351804S

United States Patent [19]

[11] Patent Number: **Des. 351,804**

Kellstedt, Jr. et al.

[45] Date of Patent: **** Oct. 25, 1994**

[54] **STRESS:STRAIN MATERIALS TESTING INSTRUMENT**

[56] **References Cited**

U.S. PATENT DOCUMENTS

[75] Inventors: **Charles W. Kellstedt, Jr.; Joel Lieblein**, both of Sudbury; **Richard J. Mahoney, III**, Mansfield; **Paulo A. Martin**, Fall River, all of Mass.; **Graham E. Mead**, Buckinghamshire, England; **Ronald K. Pulsifer**, Pembroke; **David W. Scanlon**, Rehoboth, both of Mass.

D. 163,929	7/1951	Baum	D10/46
D. 201,342	6/1965	Adams	D15/138
D. 250,514	12/1978	Etchison	D10/83
3,982,572	9/1976	Kortendick	D15/127 X
4,196,635	4/1980	Zuber et al.	73/794
4,478,086	10/1984	Gram	73/862.632 X

Primary Examiner—Alan P. Douglas
Assistant Examiner—Antoine D. Davis

[73] Assignee: **Instron Corporation**, Canton, Mass.

[57] **CLAIM**

The ornamental design for a stress:strain materials testing instrument, as shown.

[**] Term: **14 Years**

DESCRIPTION

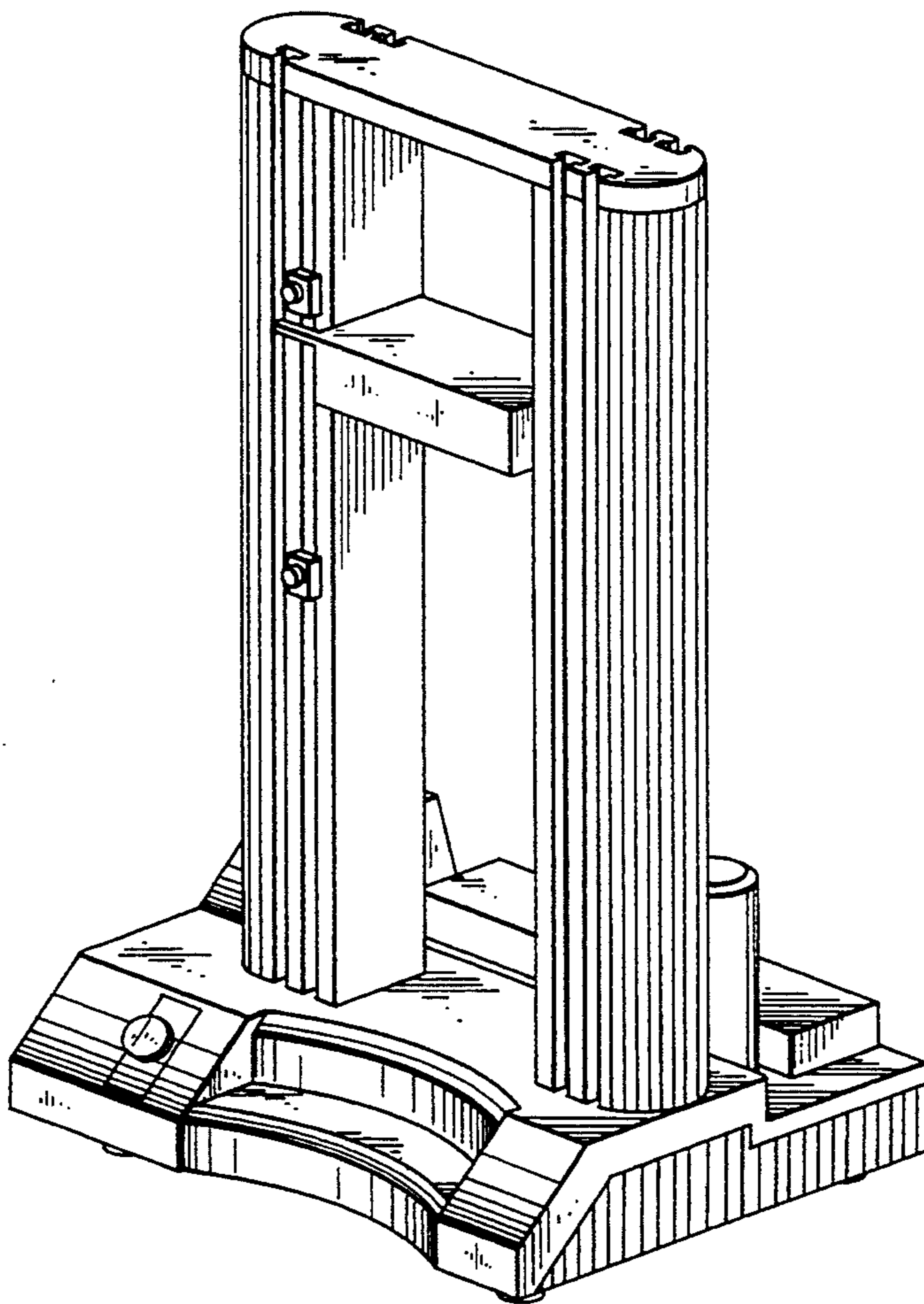
[21] Appl. No.: **6,028**

FIG. 1 is a front elevation view of a stress:strain material testing instrument showing our new design; FIGS. 2 and 3 are side elevation views thereof; FIG. 4 is a sectional view, taken at 4—4 of FIG. 1 and enlarged; FIG. 5 is a perspective view, slightly enlarged; FIG. 6 is a bottom plan view; FIG. 7 is a top plan view, slightly enlarged; and, FIG. 8 is a back elevation view.

[22] Filed: **Mar. 18, 1993**

[52] U.S. Cl. **D10/83; D10/46**

[58] Field of Search **73/794-798, 73/781, 822, 825, 826, 818, 865.9, 834, 855-860; D10/46, 75, 83; D15/138**



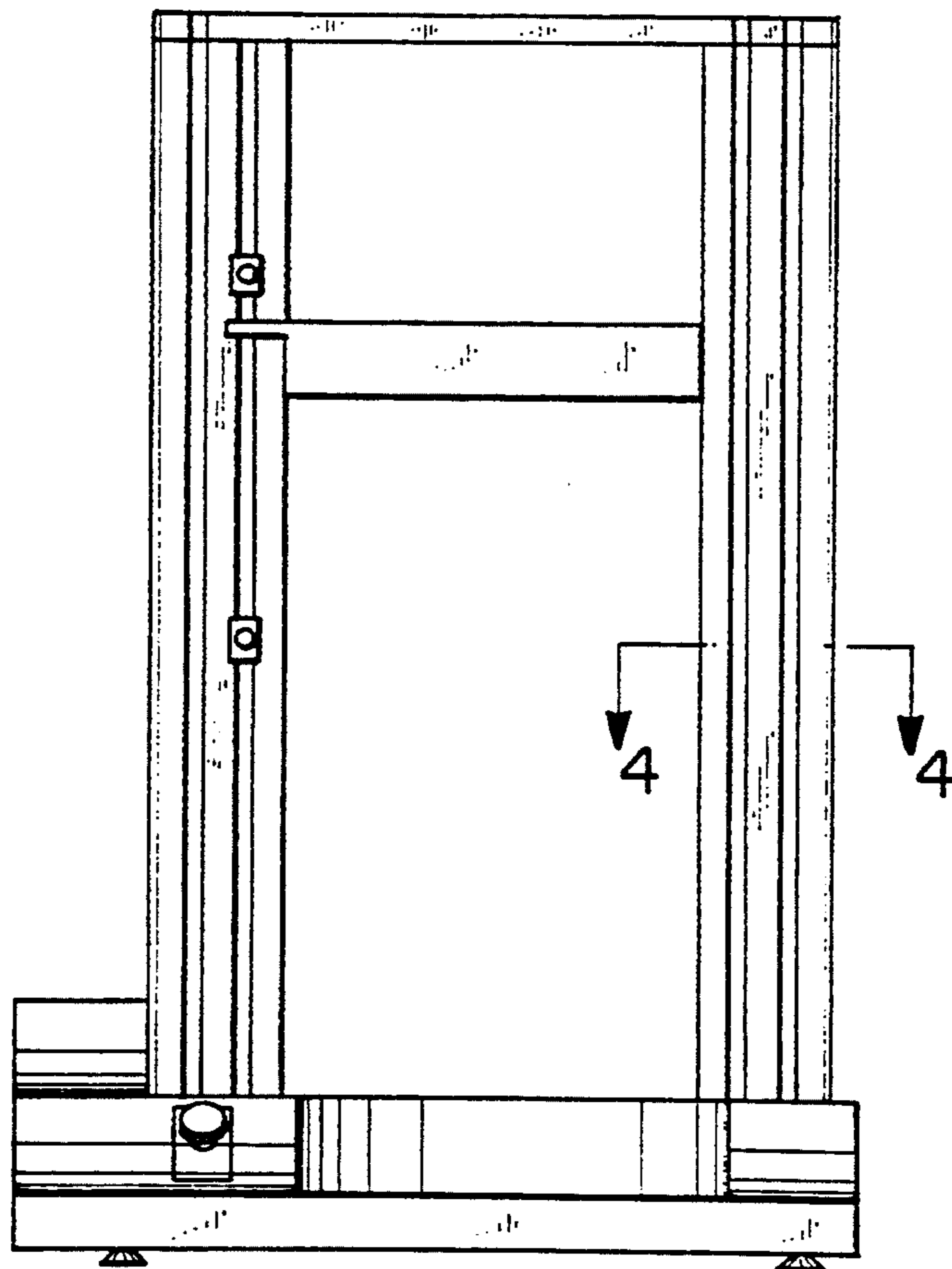


FIG. 1

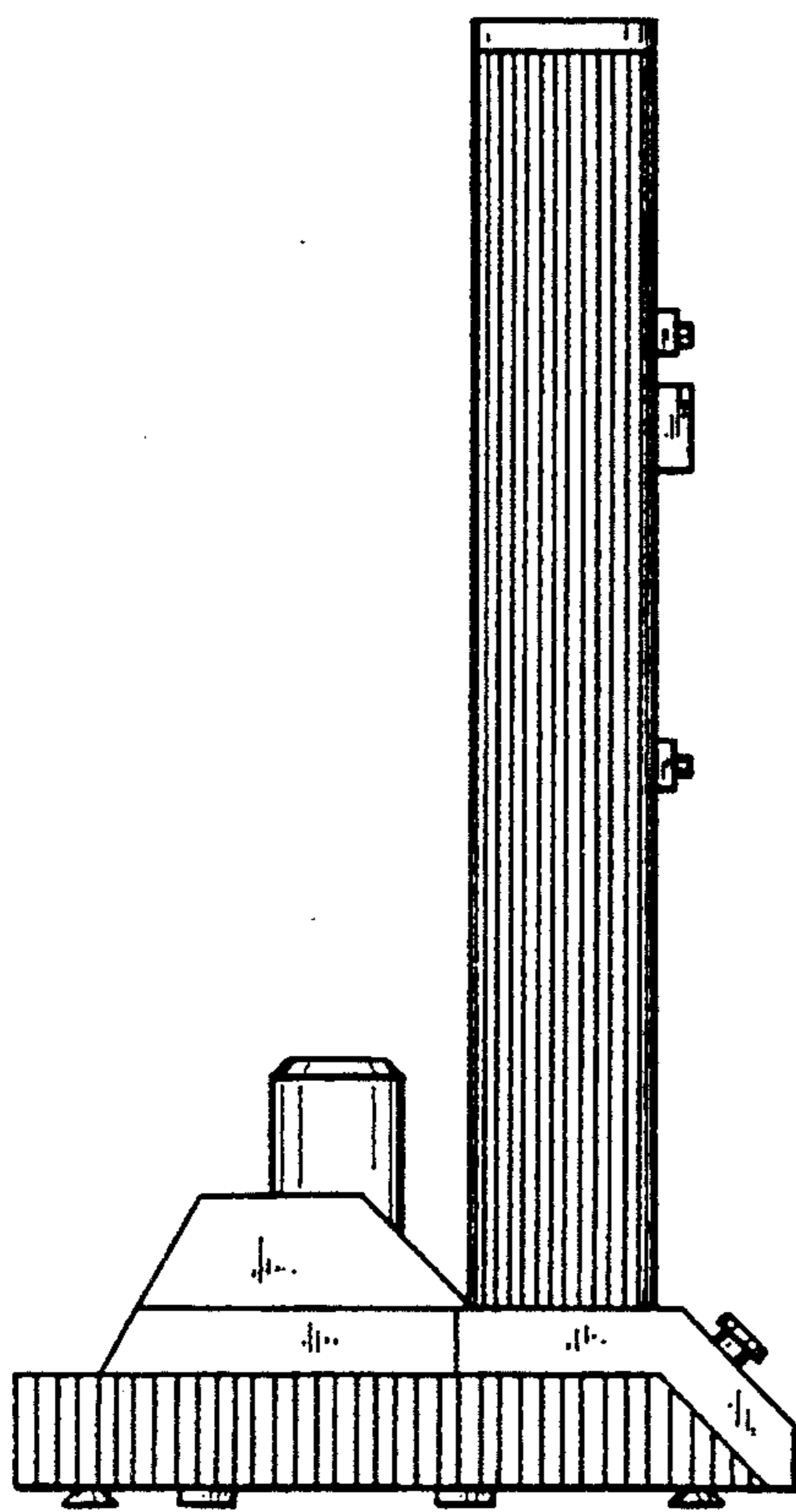


FIG. 2

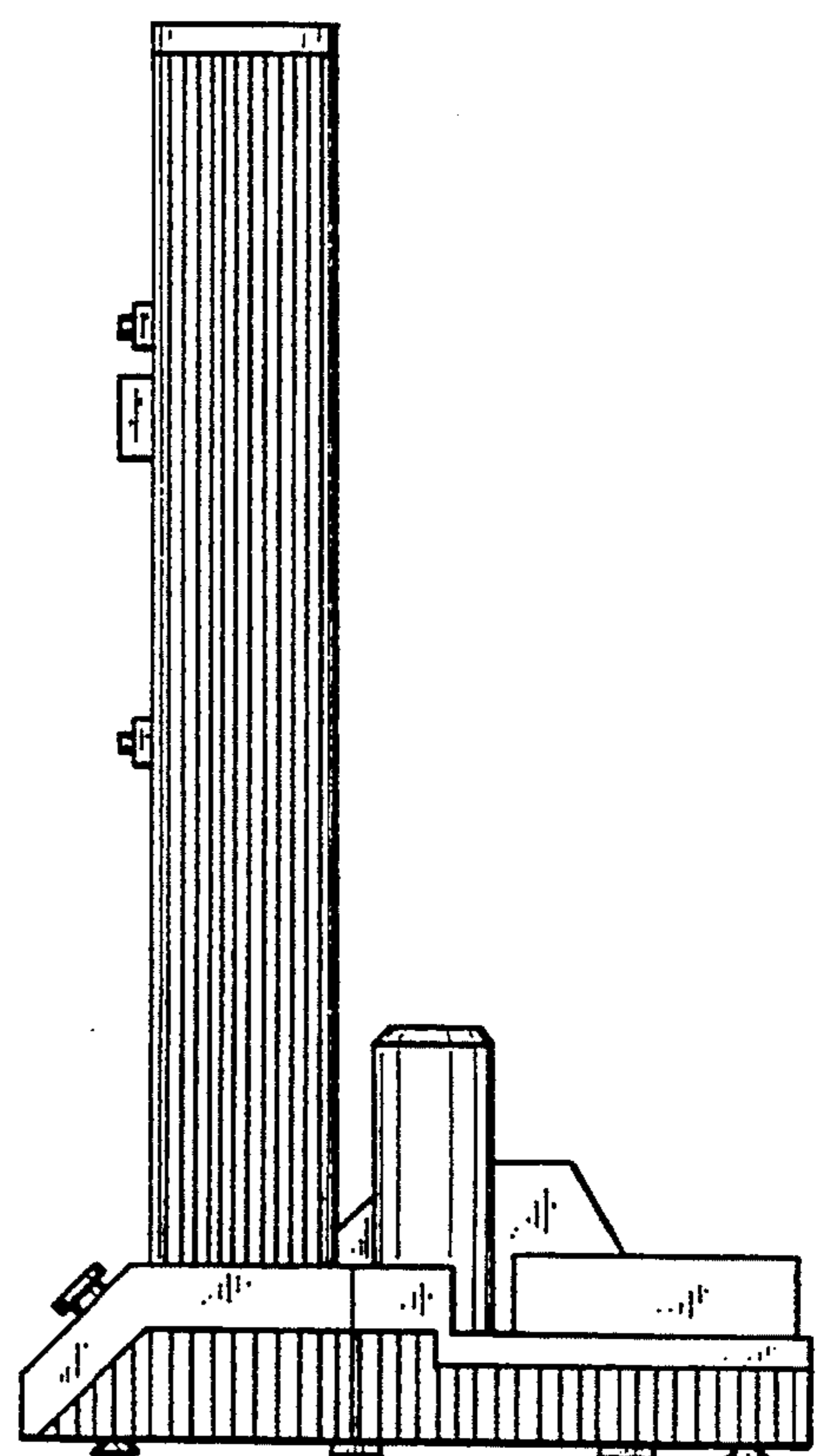


FIG. 3

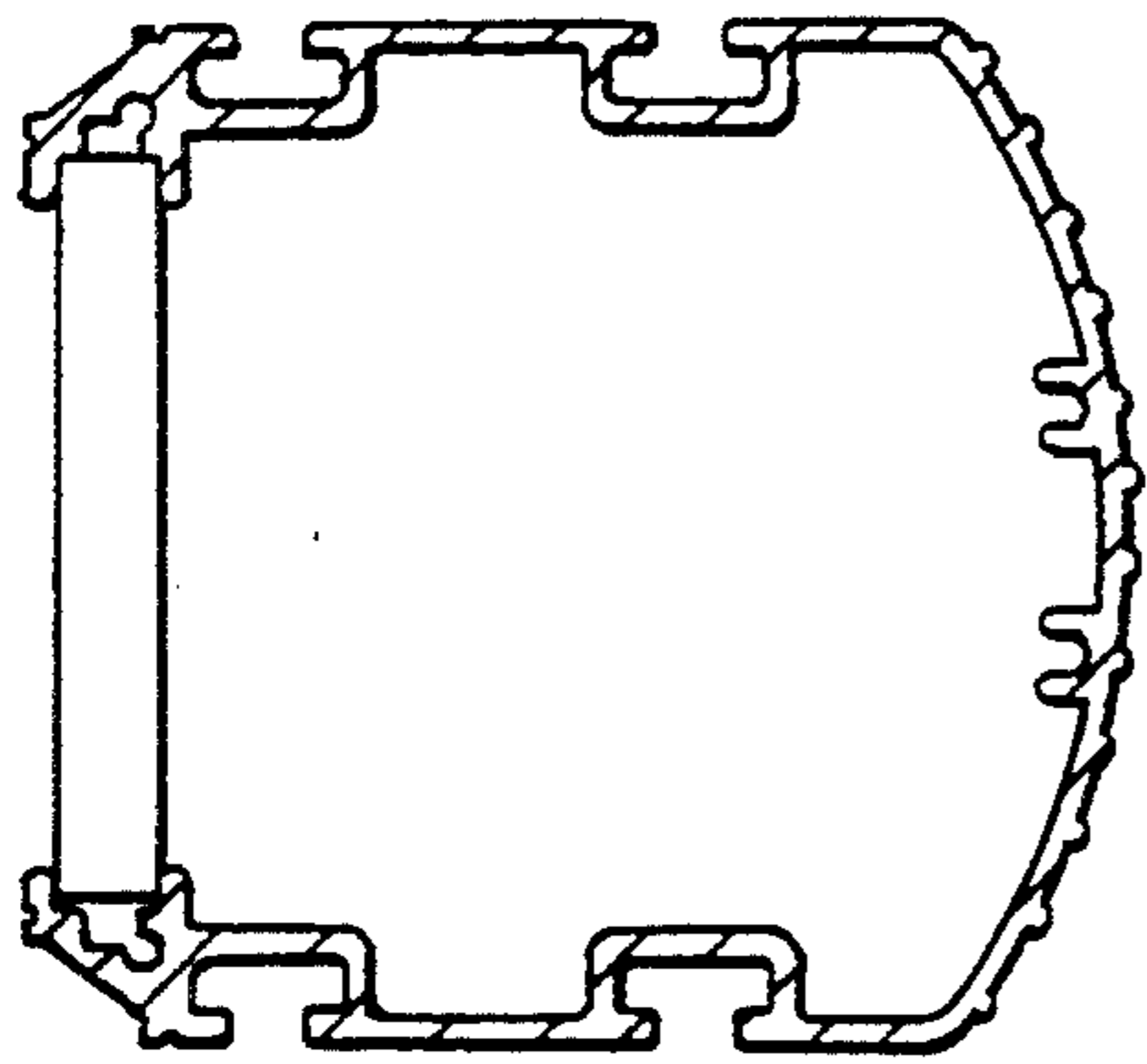


FIG. 4

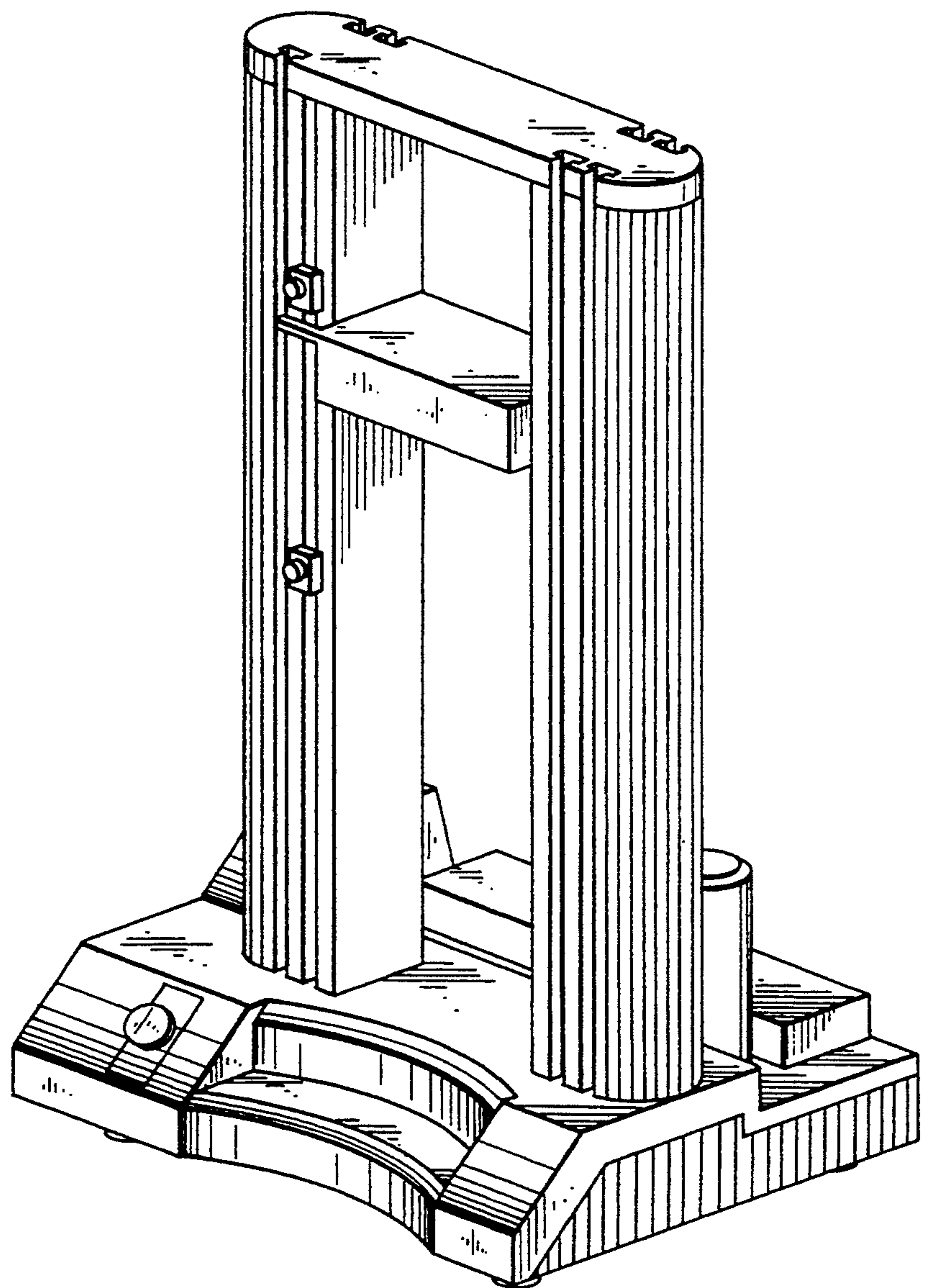


FIG. 5

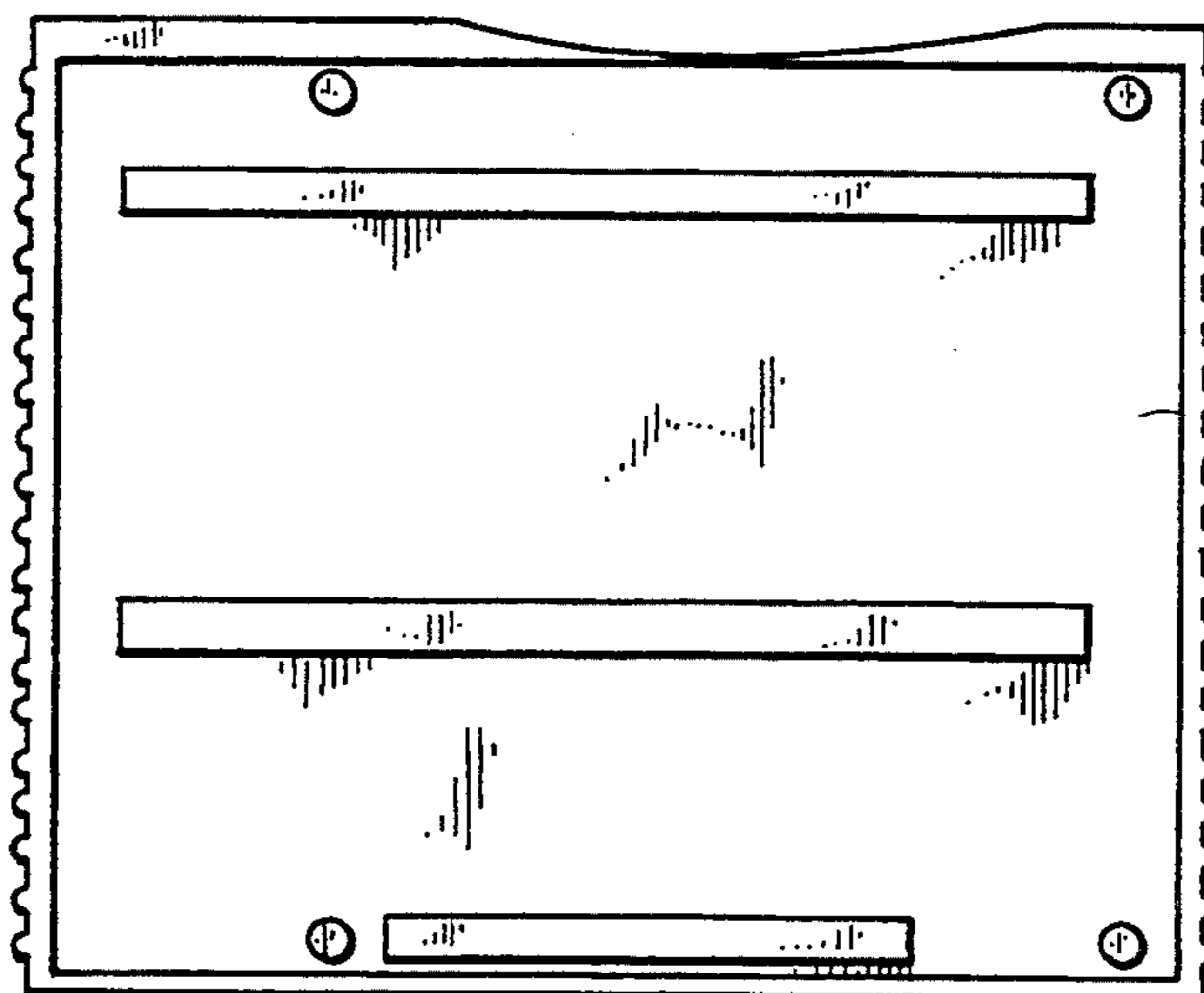


FIG. 6

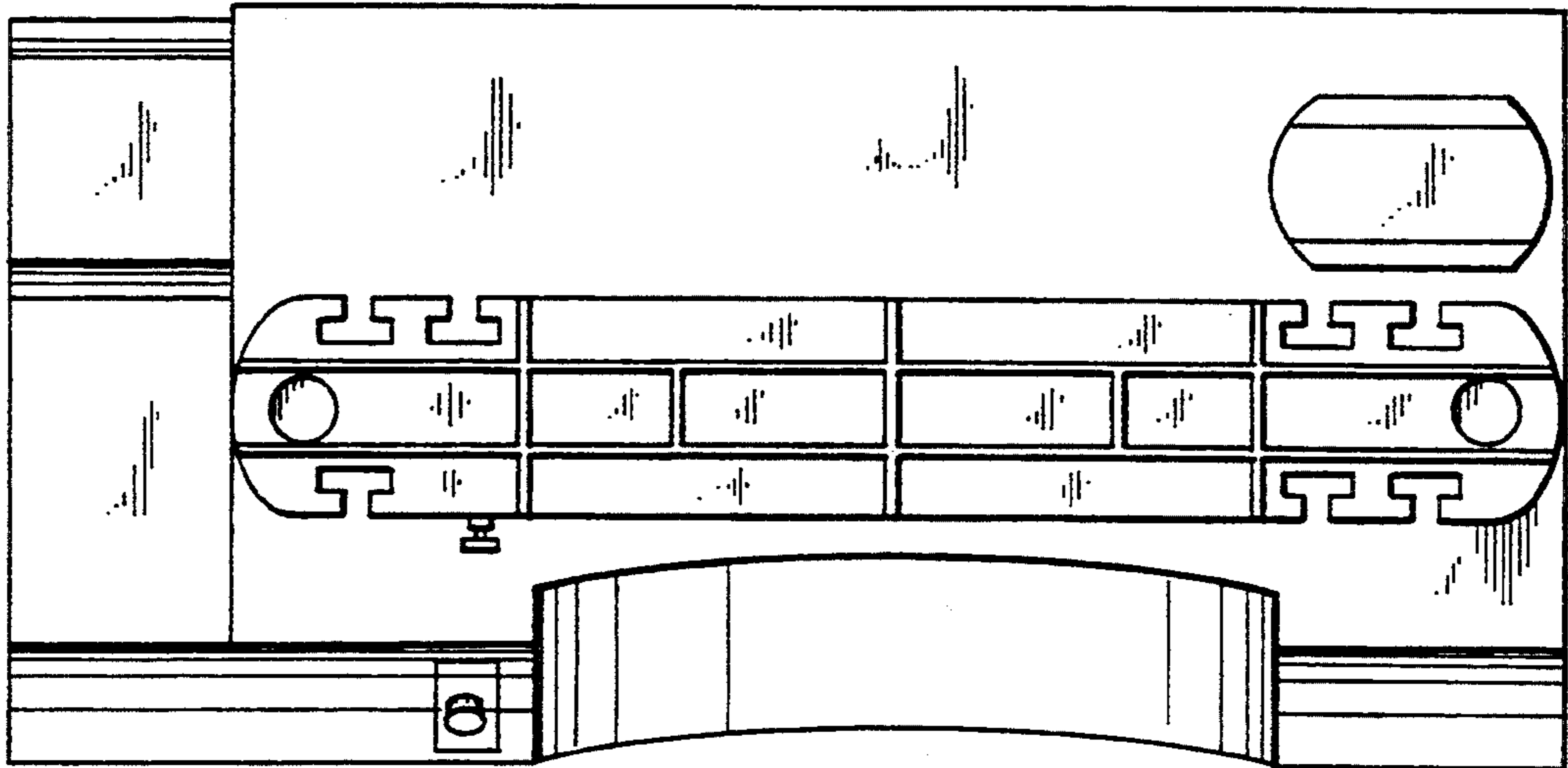


FIG. 7

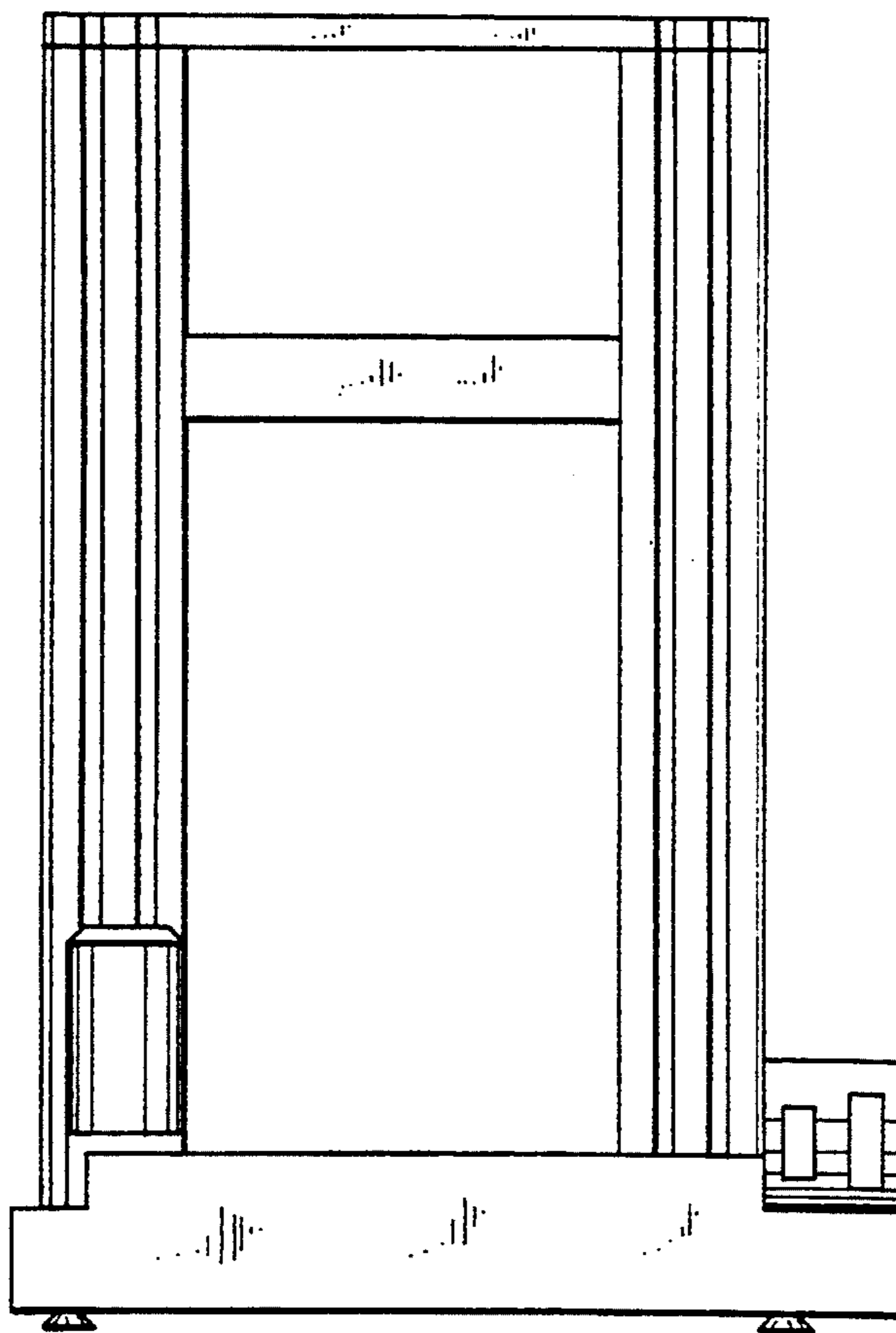


FIG. 8