



US00D351803S

United States Patent [19]

[11] Patent Number: **Des. 351,803**

Foley

[45] Date of Patent: **** Oct. 25, 1994**

[54] PH PEN CASE DESIGN

[75] Inventor: **Robert S. Foley**, Lake Forest, Calif.

[73] Assignee: **Newport Electronics, Inc.**, Santa Ana, Calif.

[**] Term: **14 Years**

[21] Appl. No.: **5,349**

[22] Filed: **Mar. 2, 1993**

[52] U.S. Cl. **D10/81; D10/78**

[58] Field of Search **204/400, 406, 433; 73/431; 324/156, 158; D10/78, 81**

[56] **References Cited**

U.S. PATENT DOCUMENTS

D. 312,421	11/1990	Trottmann	D10/81
4,090,925	5/1978	Jungman	204/433 X
4,912,417	3/1990	Gibboney et al.	204/406 X
5,198,093	3/1993	Sydowski et al.	204/433 X

OTHER PUBLICATIONS

Cole-Palmer; pH Electronic Paper & TDS Pocket Indicators; ©1989.

Annual Design Review; Pocket pH; p. 84; Industrial Design.

Primary Examiner—Nelson C. Holtje

Assistant Examiner—Antoine D. Davis

Attorney, Agent, or Firm—Howard S. Reiter; Bruce E. Hosmer

[57] **CLAIM**

The ornamental design for a pH pen case design, as shown and described.

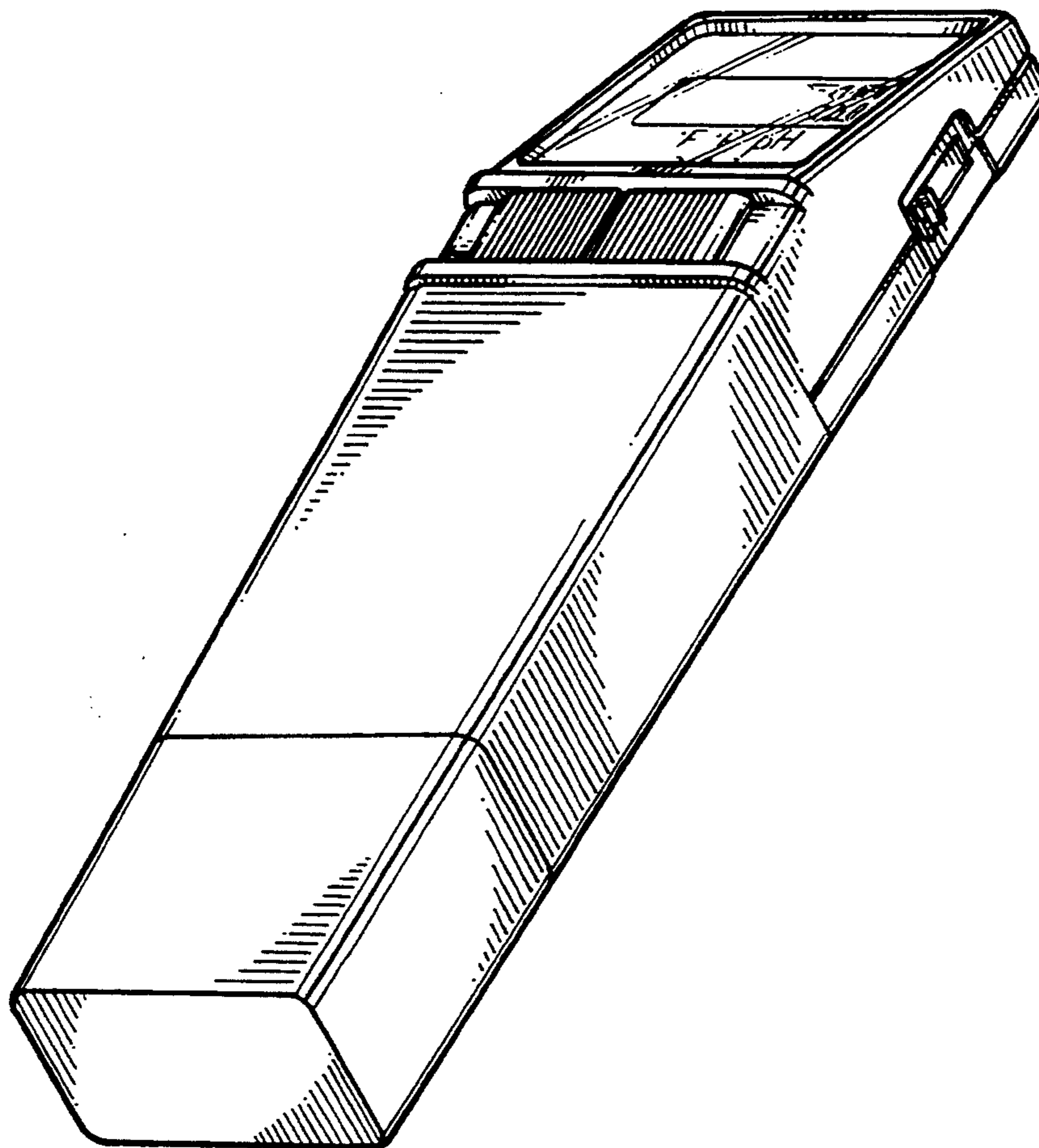
DESCRIPTION

FIG. 1 is a top and right side perspective view of a pH pen case design showing my new design;

FIG. 2 is a left side elevational view thereof, the right side is a mirror image thereof;

FIG. 3 is a front plan view thereof; and,

FIG. 4 is a rear plan view thereof.



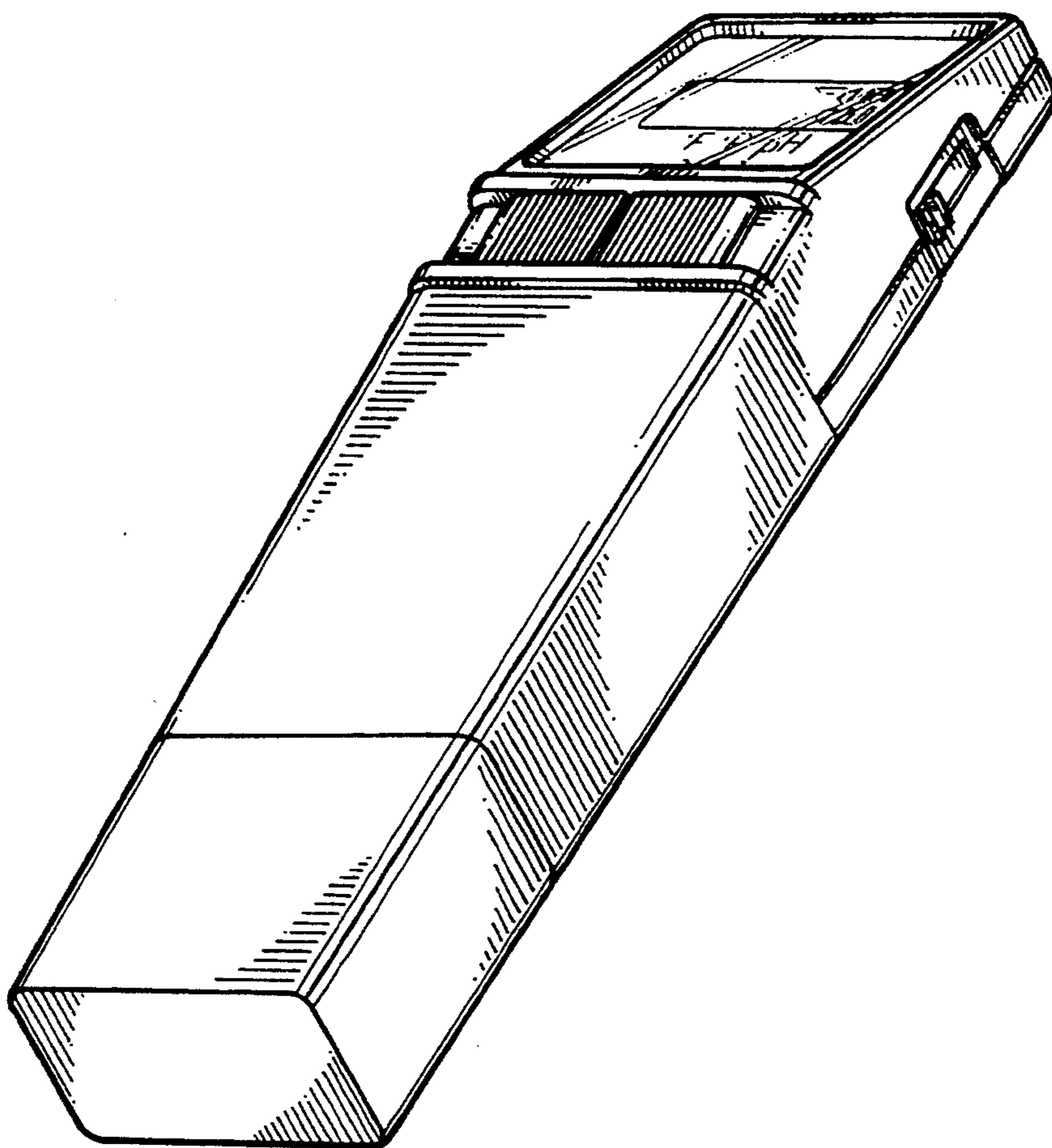


FIG. 1

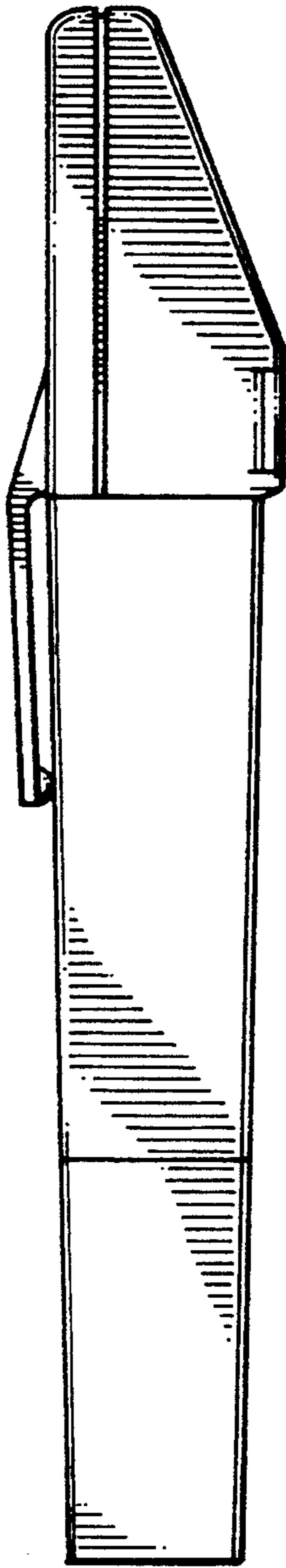


FIG. 2

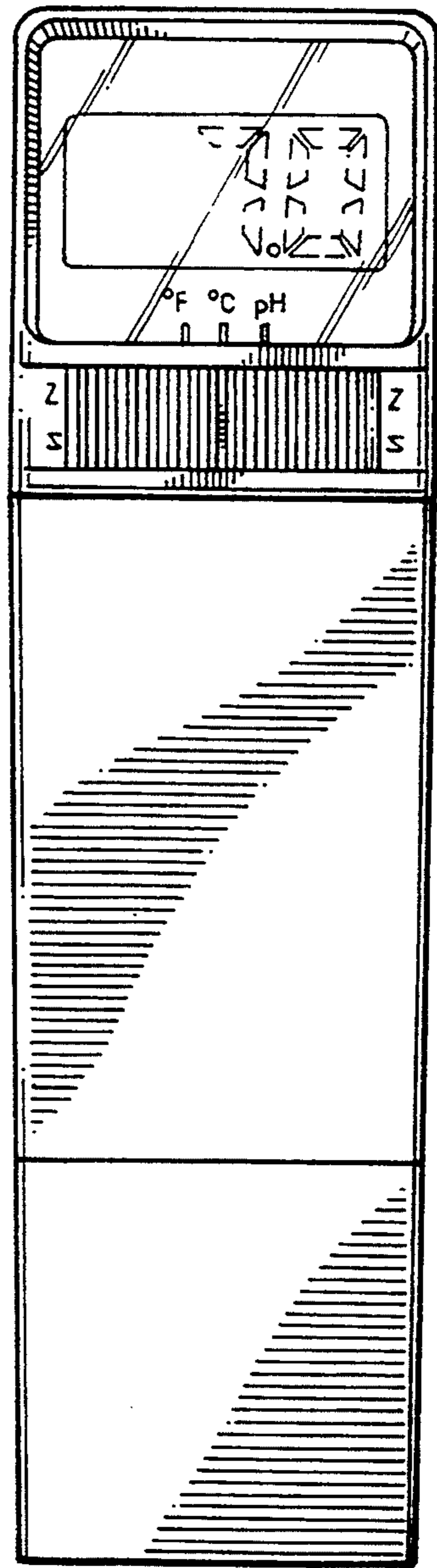


FIG. 3

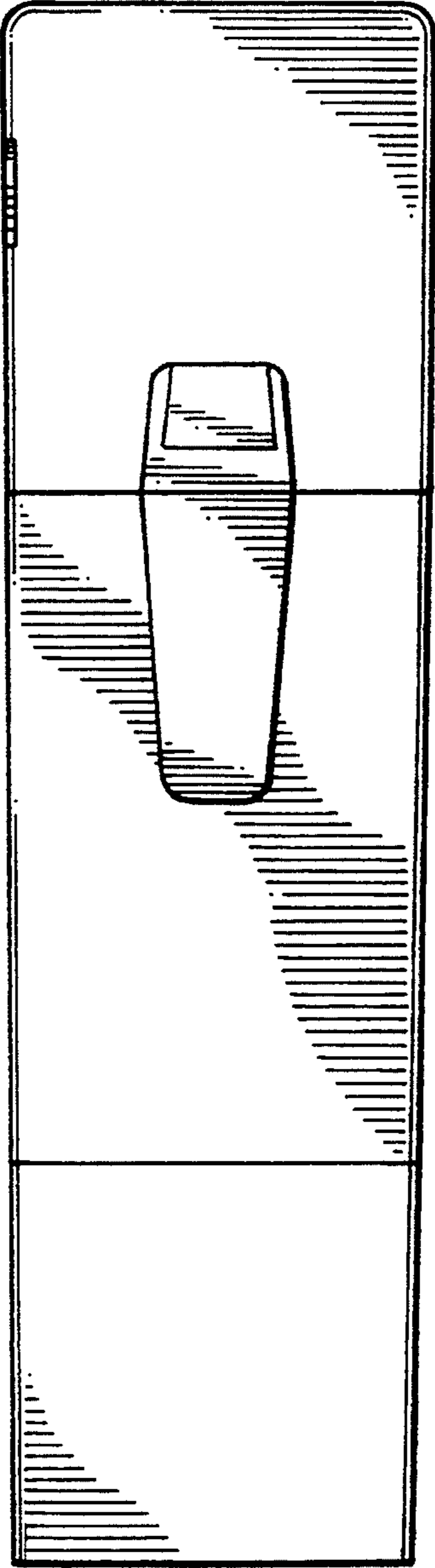


FIG. 4