



US00D351800S

United States Patent [19]

Liao

[11] Patent Number: Des. 351,800

[45] Date of Patent: ** Oct. 25, 1994

[54] ELECTRONIC METRONOME

[76] Inventor: Syh-Fuh Liao, 5th Fl., No. 12, Lin Sen S. Rd., Taipei, Taiwan

[**] Term: 14 Years

[21] Appl. No.: 3,134

[22] Filed: Dec. 29, 1992

[52] U.S. Cl. D10/43

[58] Field of Search 84/484; D10/43, 15, D10/18; D19/60; D21/13; D14/106

[56] References Cited

U.S. PATENT DOCUMENTS

D. 295,728	5/1988	Berry	D10/43
D. 315,518	3/1991	Saito	D10/43
D. 319,791	9/1991	Saito	D10/43
4,193,257	3/1980	Watkins	84/484

4,303,398	12/1981	Yoseloff	D21/13 X
4,583,443	4/1986	Senghaas	84/484
4,733,593	3/1988	Rothbart	84/484

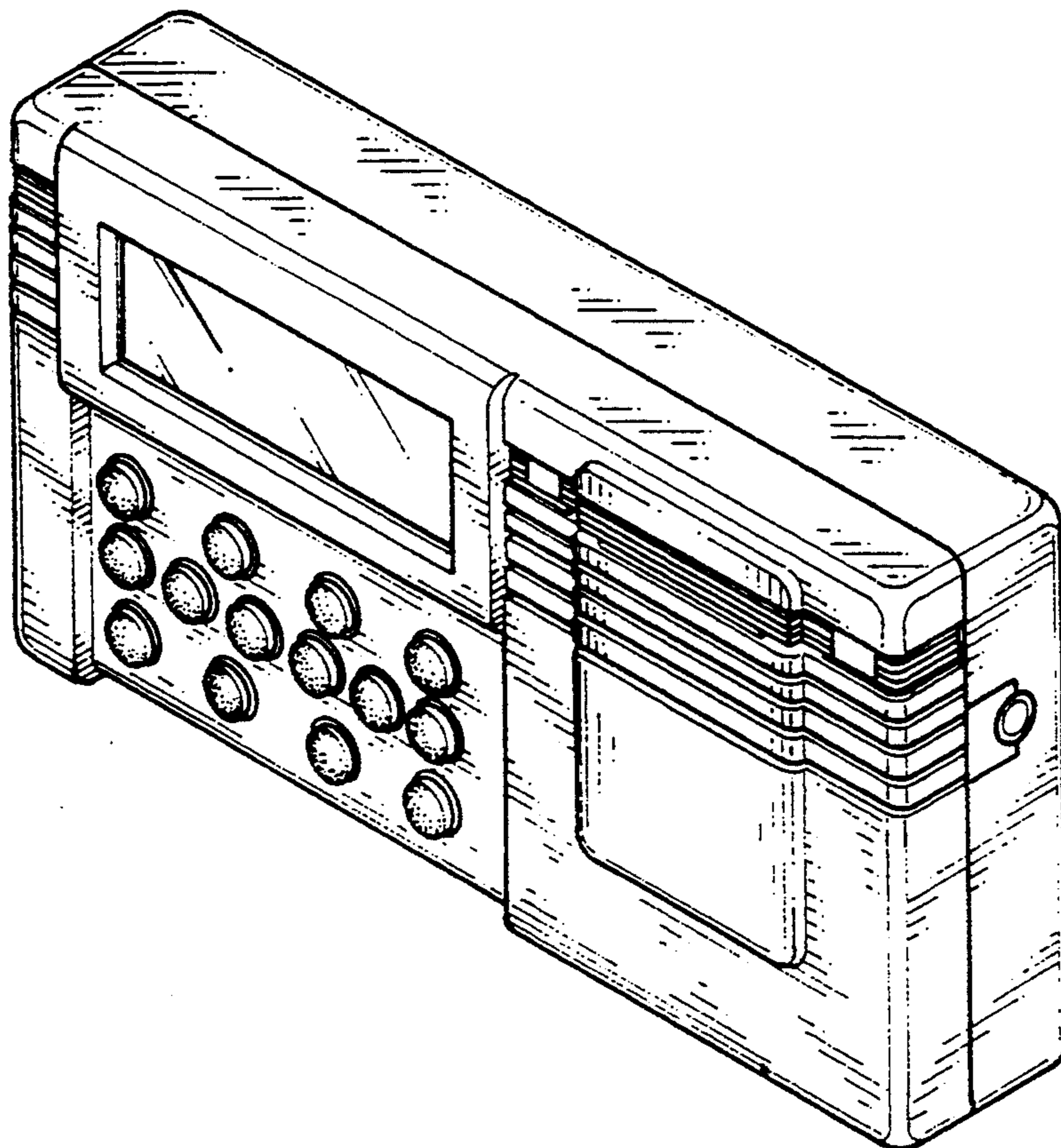
Primary Examiner—Nelson C. Holtje
Attorney, Agent, or Firm—Michael D. Bednarek

[57] CLAIM

The ornamental design for an electronic metronome, as shown and described.

DESCRIPTION

FIG. 1 is a perspective view from the front, right, and top sides of an *electronic metronome* showing my design; FIG. 2 is a front elevational view thereof; FIG. 3 is a rear elevational view thereof; FIG. 4 is a top plan view thereof; FIG. 5 is a bottom plan view thereof; FIG. 6 is a left side elevational view thereof; and, FIG. 7 is a right side elevational view thereof.



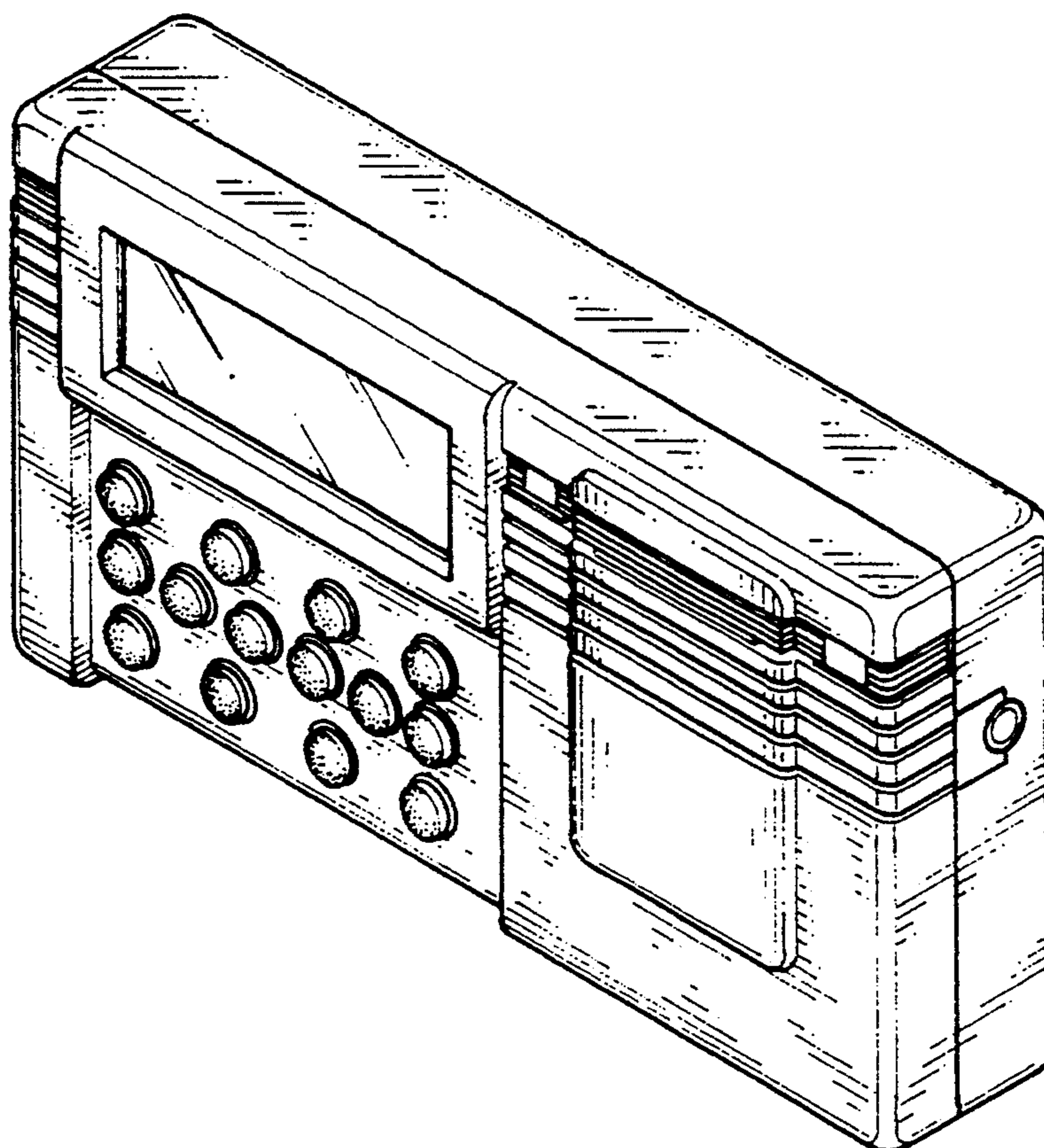


FIG. 1

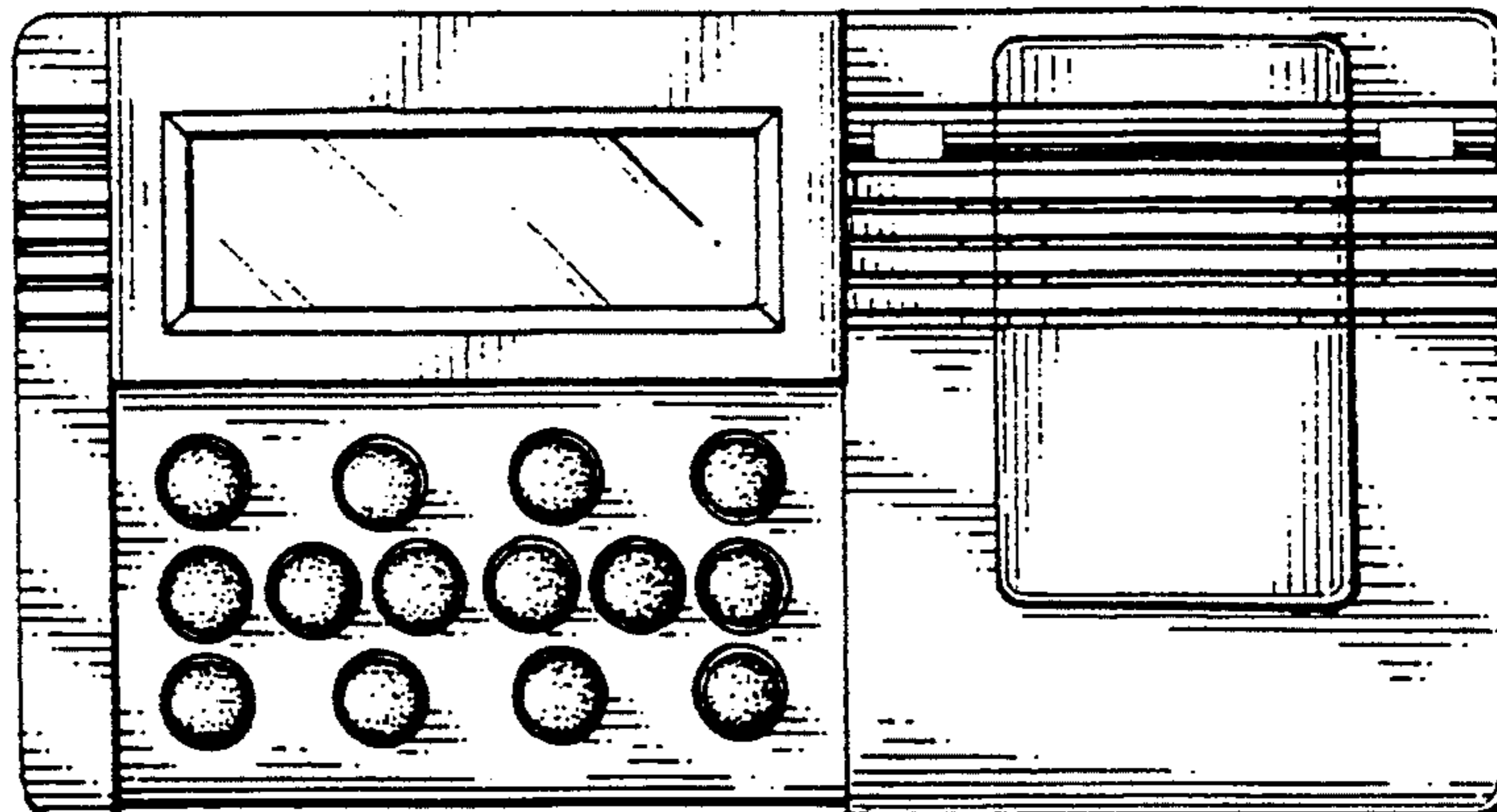


FIG. 2

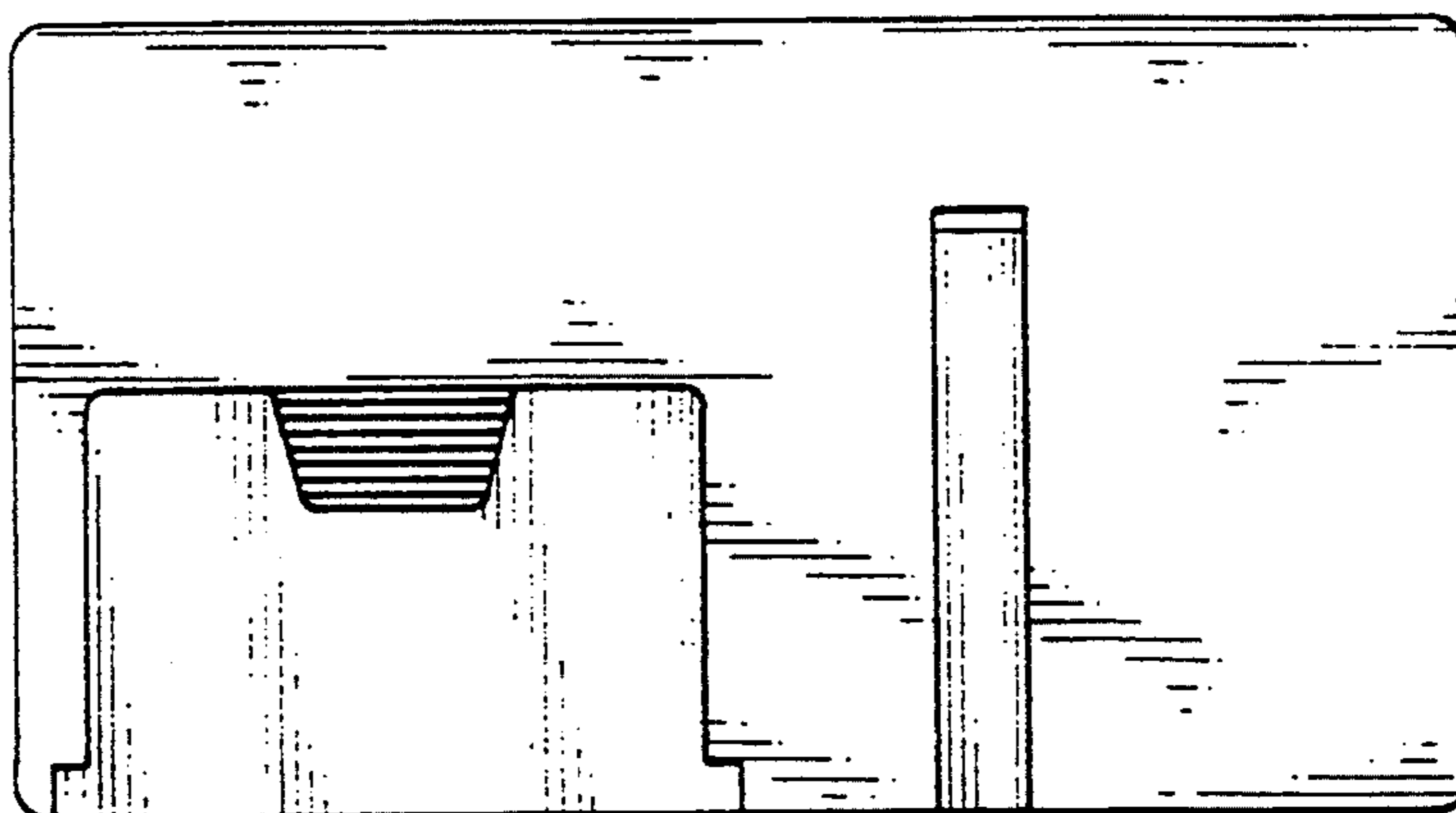


FIG. 3

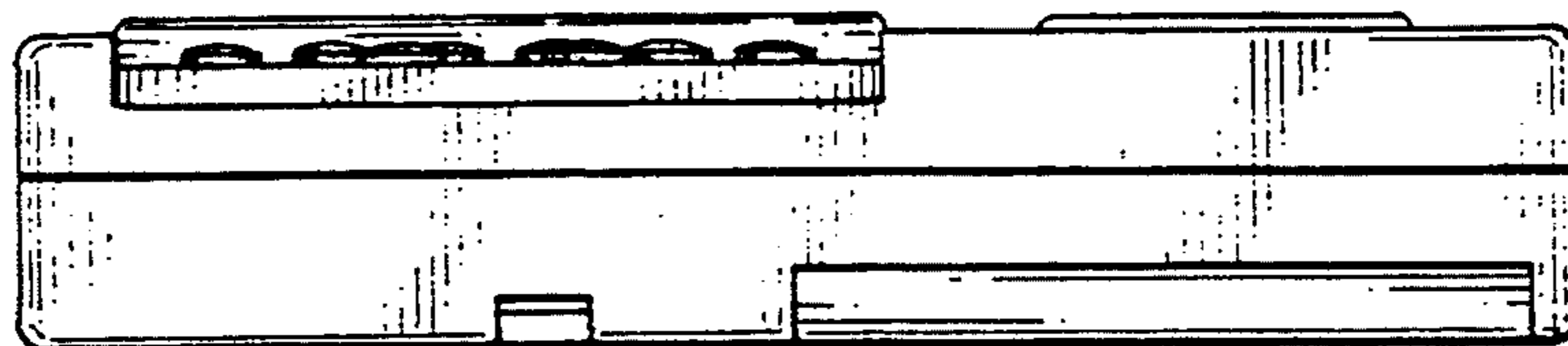


FIG. 4

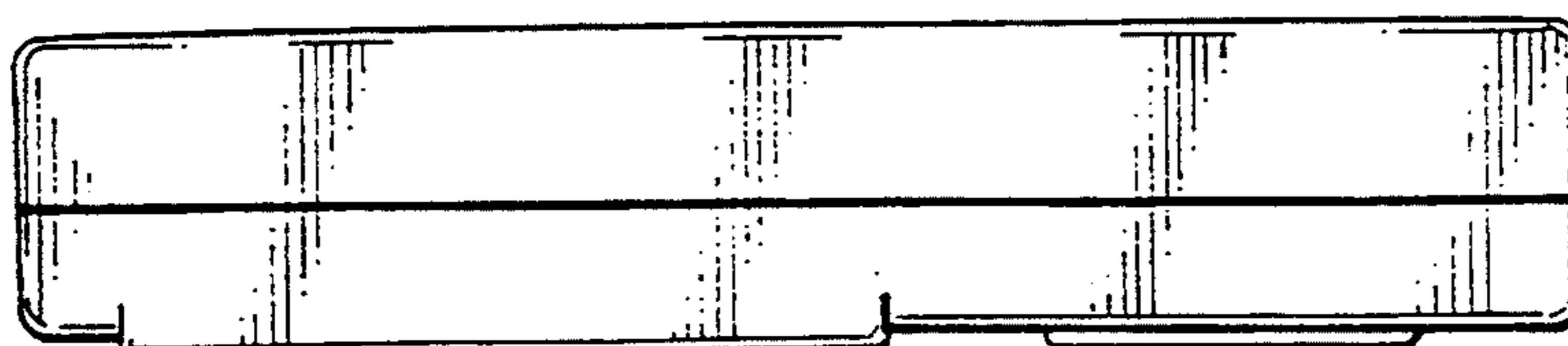


FIG. 5

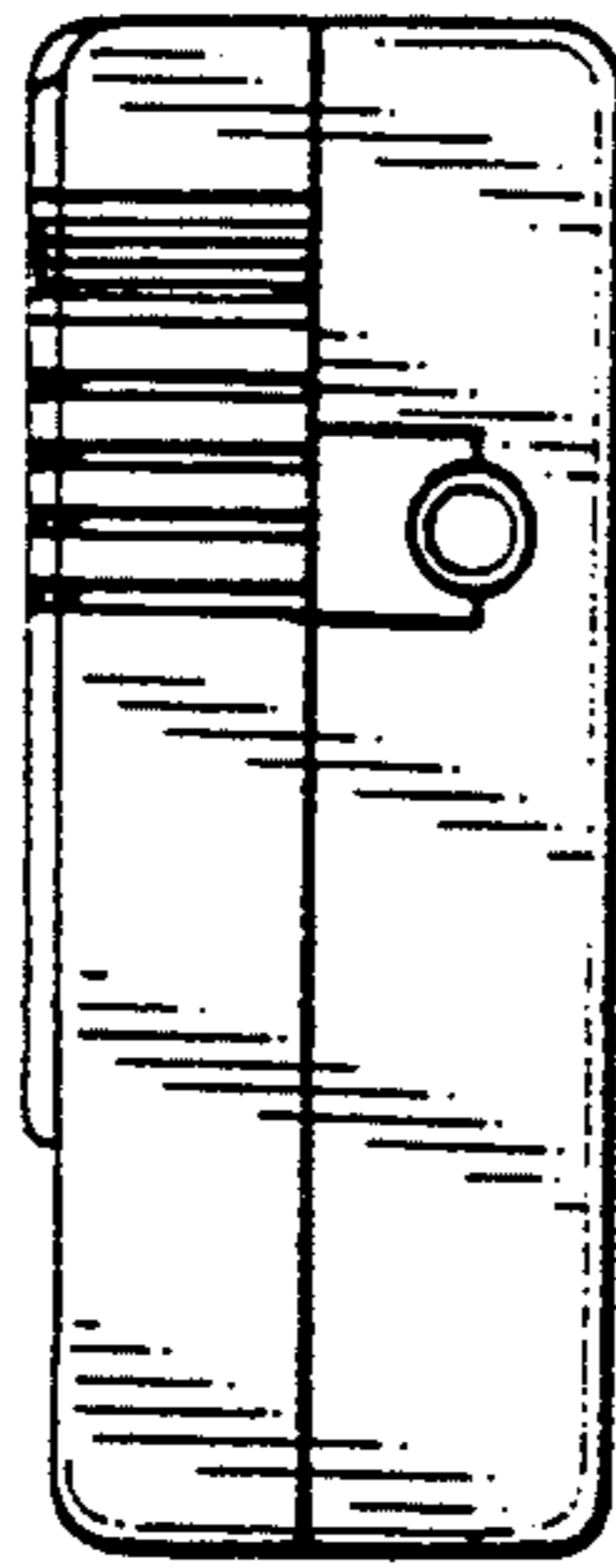


FIG. 7

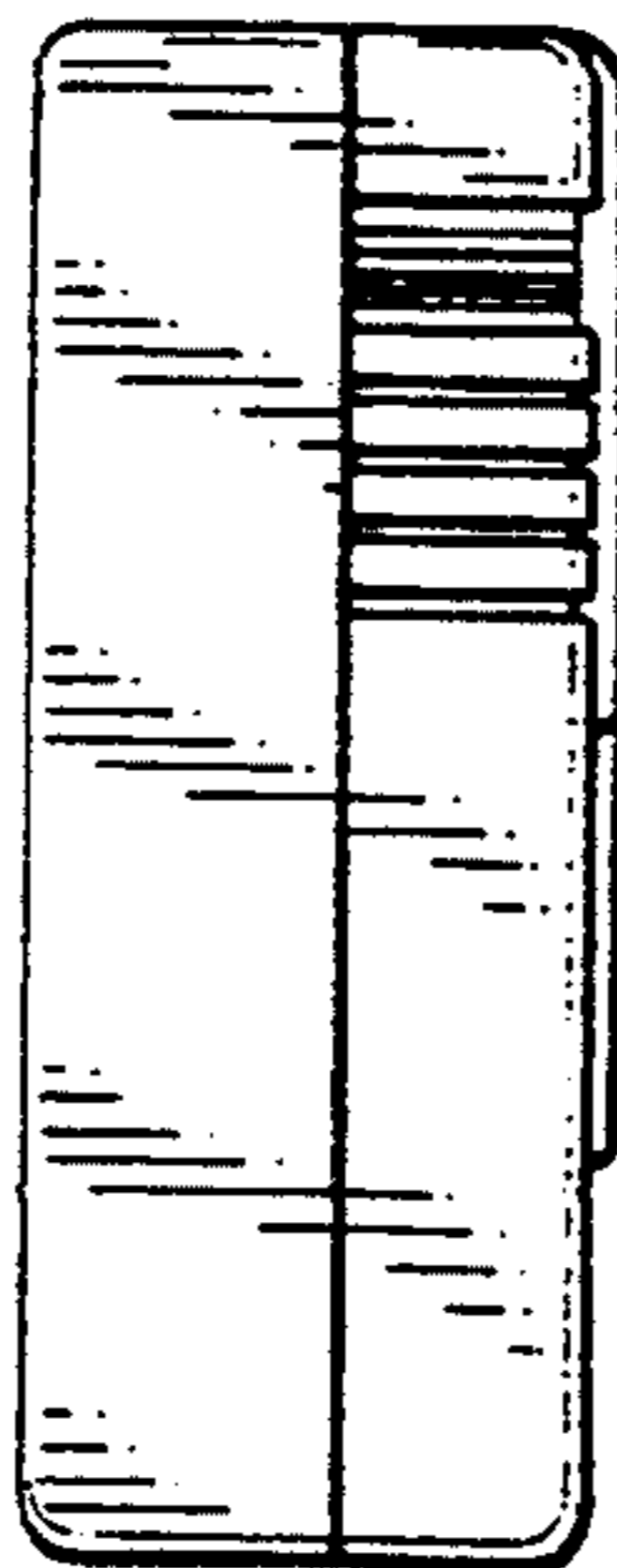


FIG. 6