



US00D351795S

United States Patent [19]

[11] Patent Number: **Des. 351,795**

Ogden

[45] Date of Patent: **** Oct. 25, 1994**

[54] CONTAINER CAP

4,299,330 11/1981 Walter 220/288
4,493,427 1/1985 Wolkonsky 222/571 X

[75] Inventor: **Brian L. Ogden**, Dartford, England

FOREIGN PATENT DOCUMENTS

[73] Assignee: **Burroughs Wellcome Co.**, Research Triangle Park, N.C.

2141697 1/1985 United Kingdom 215/204

[**] Term: **14 Years**

OTHER PUBLICATIONS

[21] Appl. No.: **892,830**

Dougherty Brothers Co. advertisement, *D&CI*, Dec. 1982, p. 61.

[22] Filed: **Jun. 5, 1992**

Primary Examiner—Alan P. Douglas

Assistant Examiner—Robert M. Spear

Attorney, Agent, or Firm—Nixon & Vanderhye

[30] Foreign Application Priority Data

Dec. 6, 1991 [GB] United Kingdom 2019414

[52] U.S. Cl. **D9/453**

[58] Field of Search D9/434, 435, 443, 444,
D9/450, 452, 453, 454; 215/109, 208; 220/288;
222/551, 571

[57] CLAIM

The ornamental design for a container cap substantially, as shown and described.

[56] References Cited

U.S. PATENT DOCUMENTS

D. 211,447 6/1968 Marchant D9/546
D. 304,424 11/1989 Dawson D9/453
D. 311,868 11/1990 Armstrong D9/453
D. 330,332 10/1992 Pezzoli et al. D9/445 X

DESCRIPTION

FIG. 1 is a perspective view of a container cap showing my new design;

FIG. 2 is a front view thereof, the rear view being identical thereto;

FIG. 3 is a top view thereof; and,

FIG. 4 is a right side view thereof, the left side view being identical thereto.

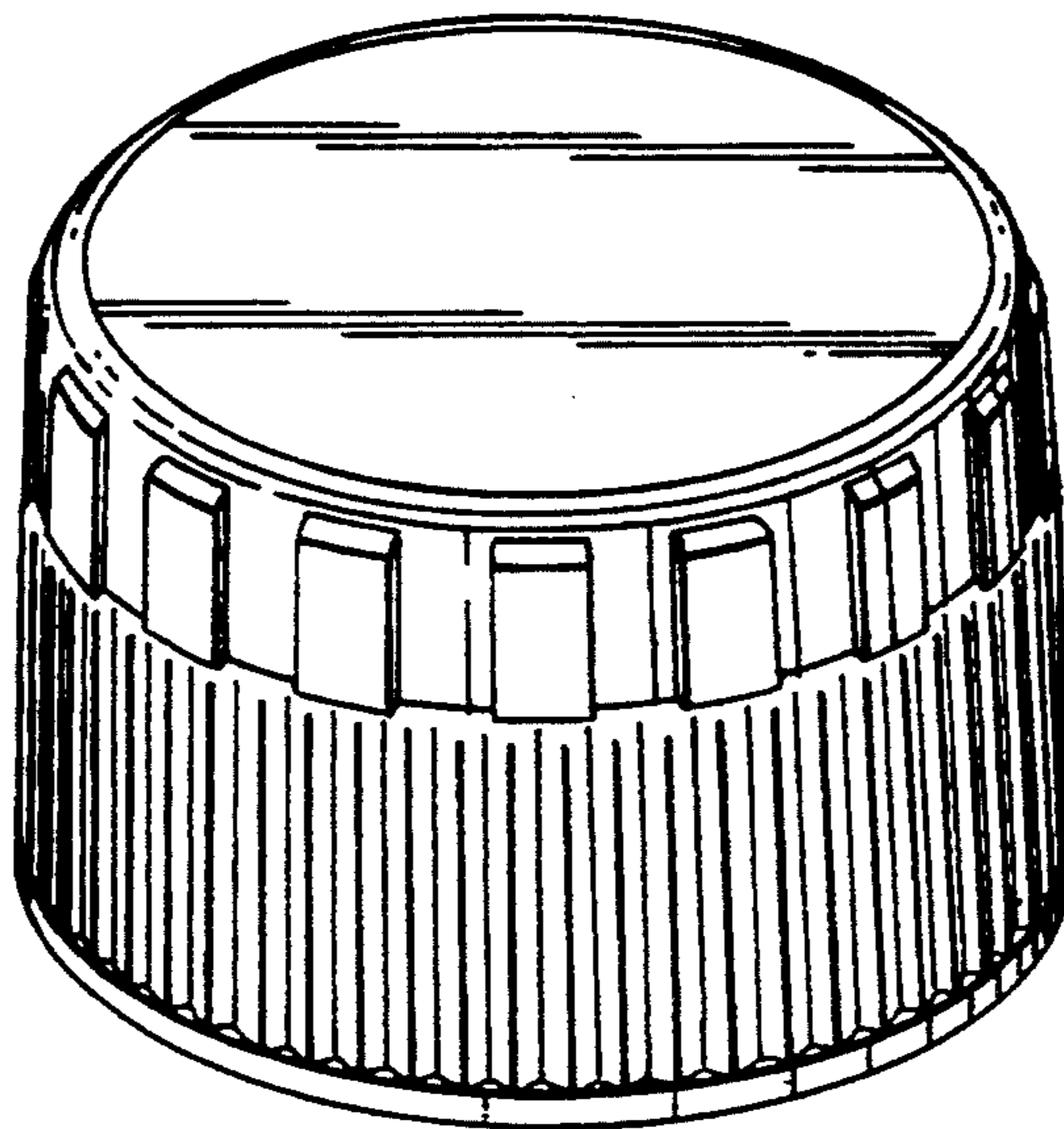


Fig.1.

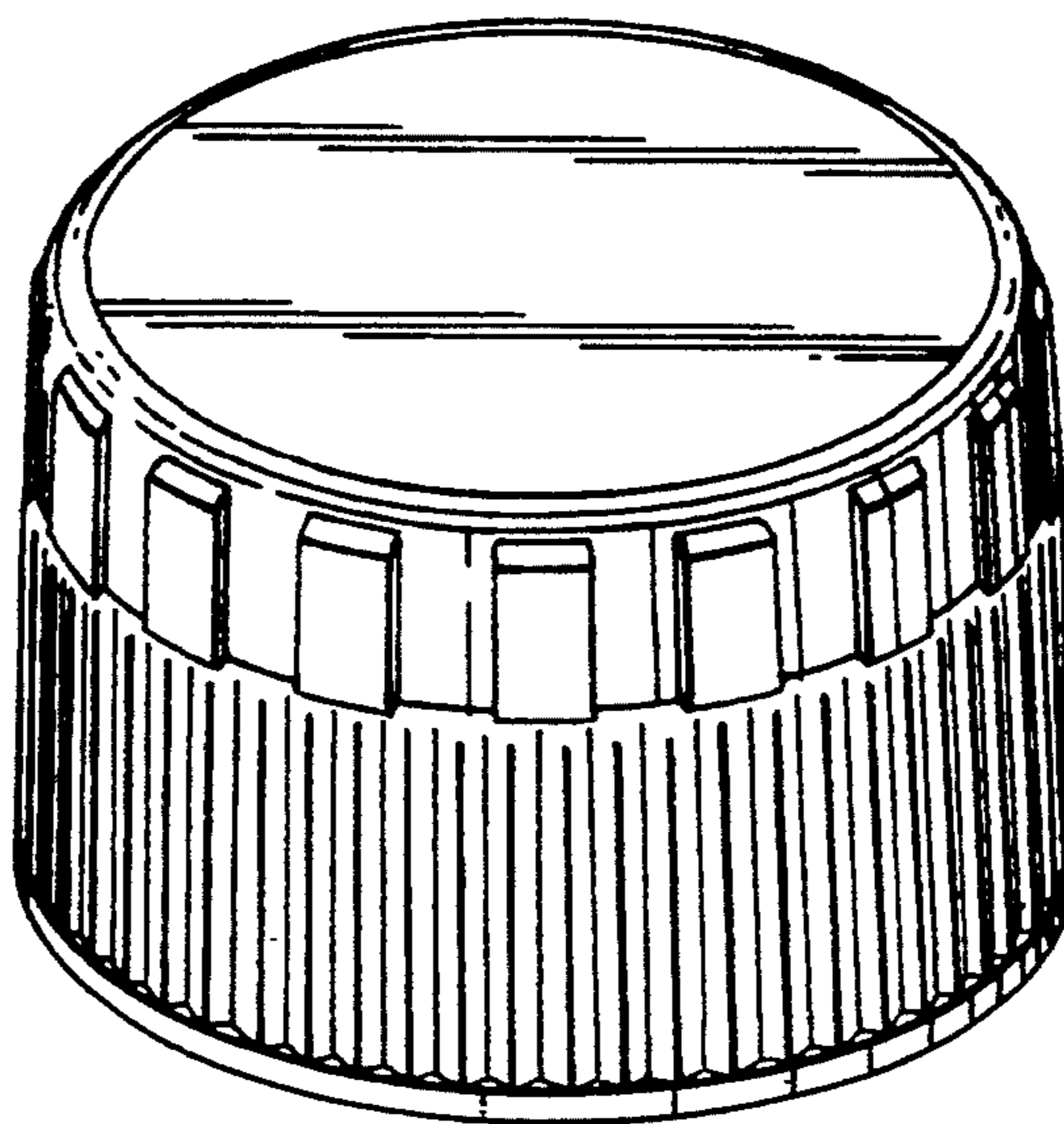


Fig.2.

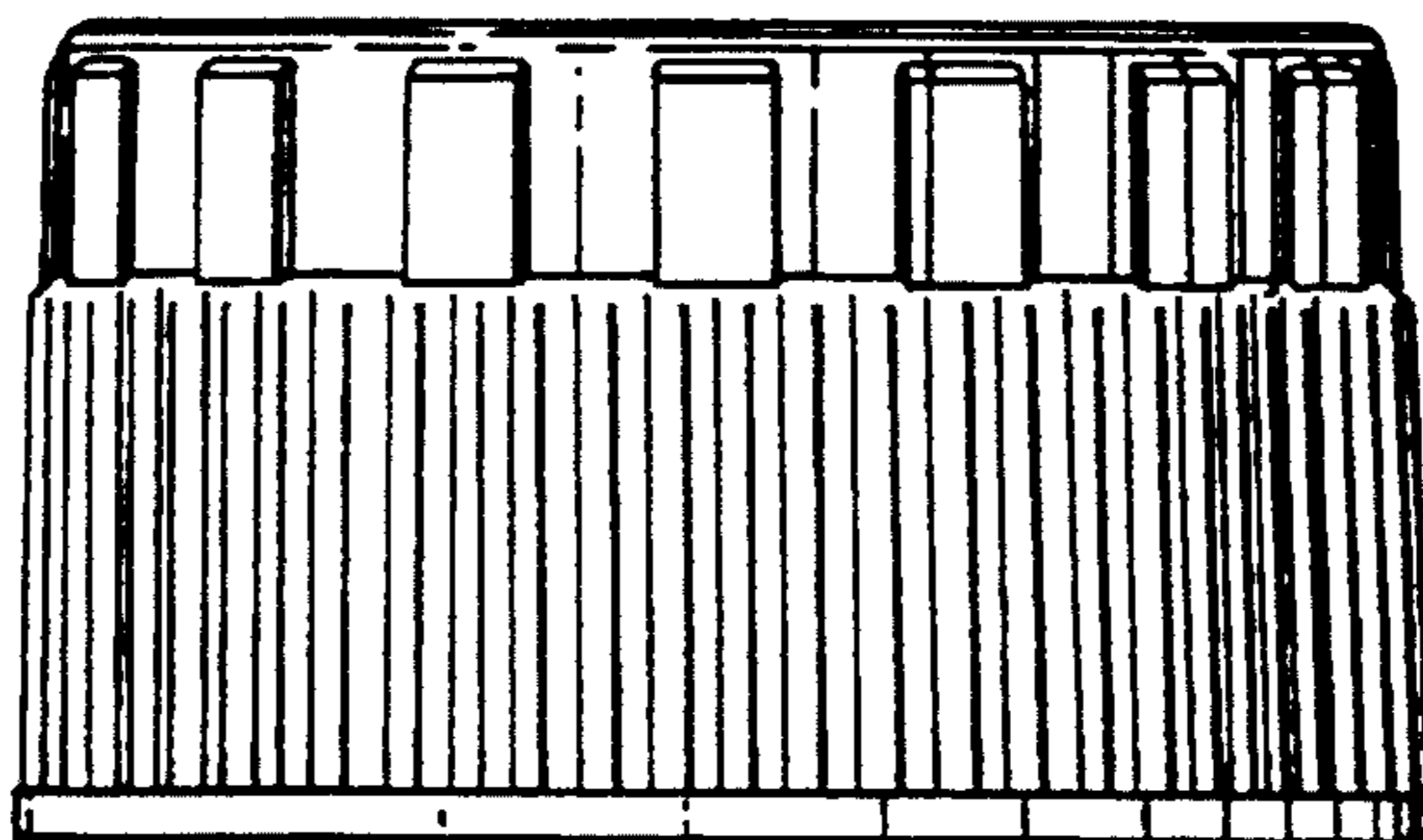


Fig.3.

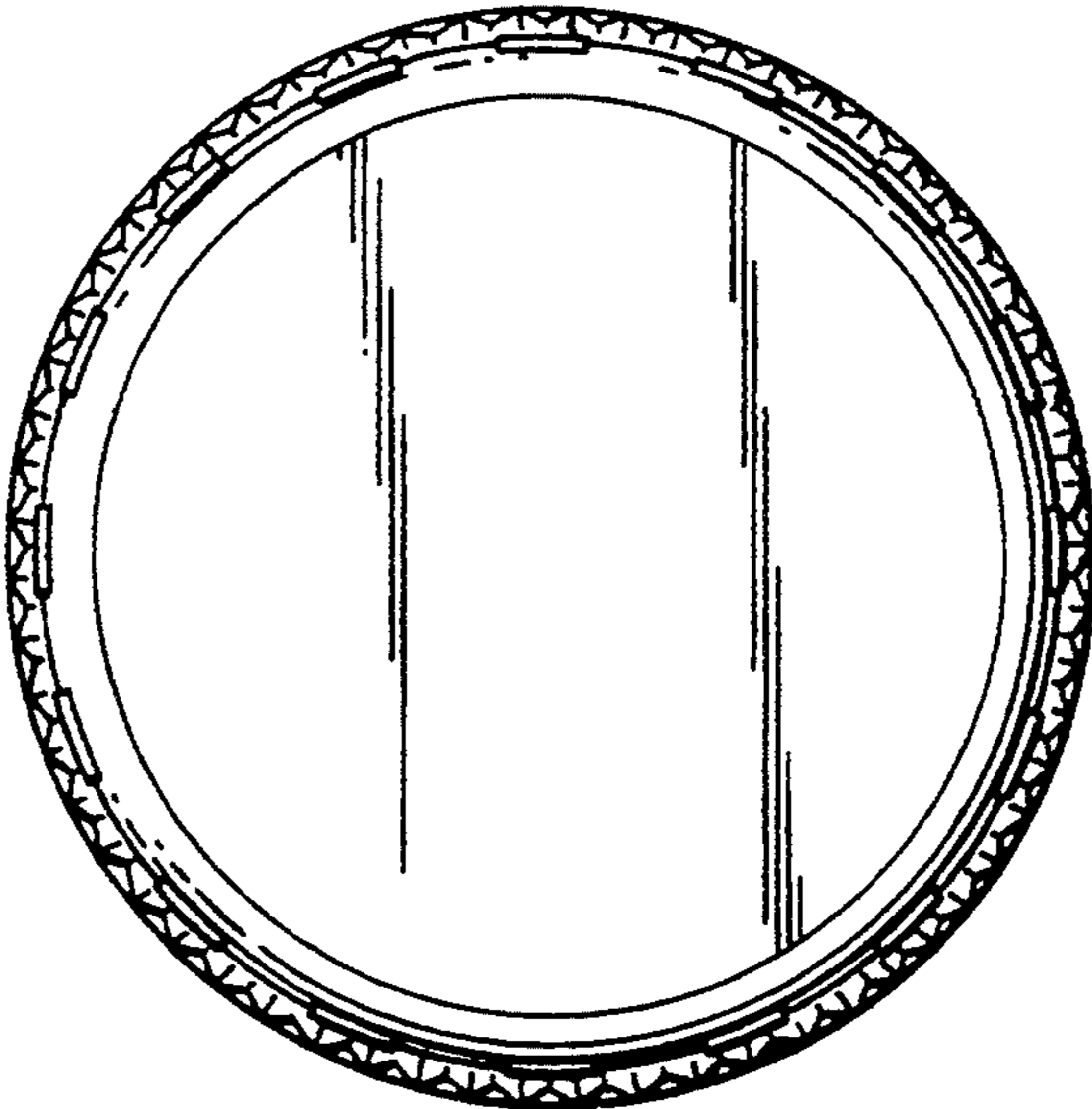


Fig.4.

