



US00D351792S

United States Patent [19]

[11] Patent Number: Des. 351,792

Morris, Sr.

[45] Date of Patent: ** Oct. 25, 1994

[54] CONTAINER WITH LID

[76] Inventor: **Glenn H. Morris, Sr.**, 1192 Cumberland Rd., Chattanooga, Tenn. 37419

[**] Term: **14 Years**

[21] Appl. No.: **10,360**

[22] Filed: **Jul. 7, 1993**

[52] U.S. Cl. **D9/425; D9/435; D9/432**

[58] Field of Search **D9/424, 425, 432, 435, D9/443; 220/323, 215, 288, 376, 23.4; 222/143, 189; D7/601**

[56] References Cited

U.S. PATENT DOCUMENTS

D. 248,015	5/1978	Smith	D9/425
D. 313,353	1/1991	Hart et al.	D9/428
D. 317,126	5/1991	Morris, Sr. .	
D. 328,508	8/1992	Crutchfield	D9/414 X
2,606,586	8/1952	Hill .	
3,307,739	3/1967	Cloyd et al. .	
3,516,571	6/1970	Roper et al. .	
4,034,886	7/1977	Galer .	
4,288,000	9/1981	Luker et al. .	
4,421,244	12/1983	Vam Melle	220/380 X
4,812,801	4/1989	Schwaikert	220/380 X
4,848,605	7/1989	Wise .	
4,967,926	11/1990	Morris, Sr. .	
5,038,954	8/1991	Bromley .	
5,044,502	9/1991	Hale	206/508 X
5,125,538	6/1992	Morris, Sr. .	

OTHER PUBLICATIONS

Packaging Cat. 1959, p. 238, item #797.
Packaging Cat. 1959, p. 265, item #911.

Primary Examiner—Prabhakar G. Deshmukh
Attorney, Agent, or Firm—Brady, O'Boyle & Gates

[57] CLAIM

The ornamental design for a container with lid, as shown and described.

DESCRIPTION

FIG. 1 is a perspective view of a container with lid showing my new design;
 FIG. 2 is a top plan view thereof;
 FIG. 3 is a bottom plan view thereof;
 FIG. 4 is a right side elevational view, shown in FIG. 1, the opposite side being a mirror image thereof;
 FIG. 5 is a left side elevational view, shown in FIG. 1, the opposite side being a mirror image thereof;
 FIG. 6 is a perspective view of a container with lid, showing a first modified form of my new design;
 FIG. 7 is a top plan view thereof;
 FIG. 8 is a bottom plan view thereof, and the side views being the same as shown in FIGS. 4 and 5;
 FIG. 9 is a perspective view of a container with lid, showing a second modified form of my new design;
 FIG. 10 is a top plan view thereof;
 FIG. 11 is a bottom plan view thereof;
 FIG. 12 is a right side elevational view, shown in FIG. 9, the opposite side being a mirror image thereof; and,
 FIG. 13 is a left side elevational view, shown in FIG. 9, the opposite side being a mirror image thereof.

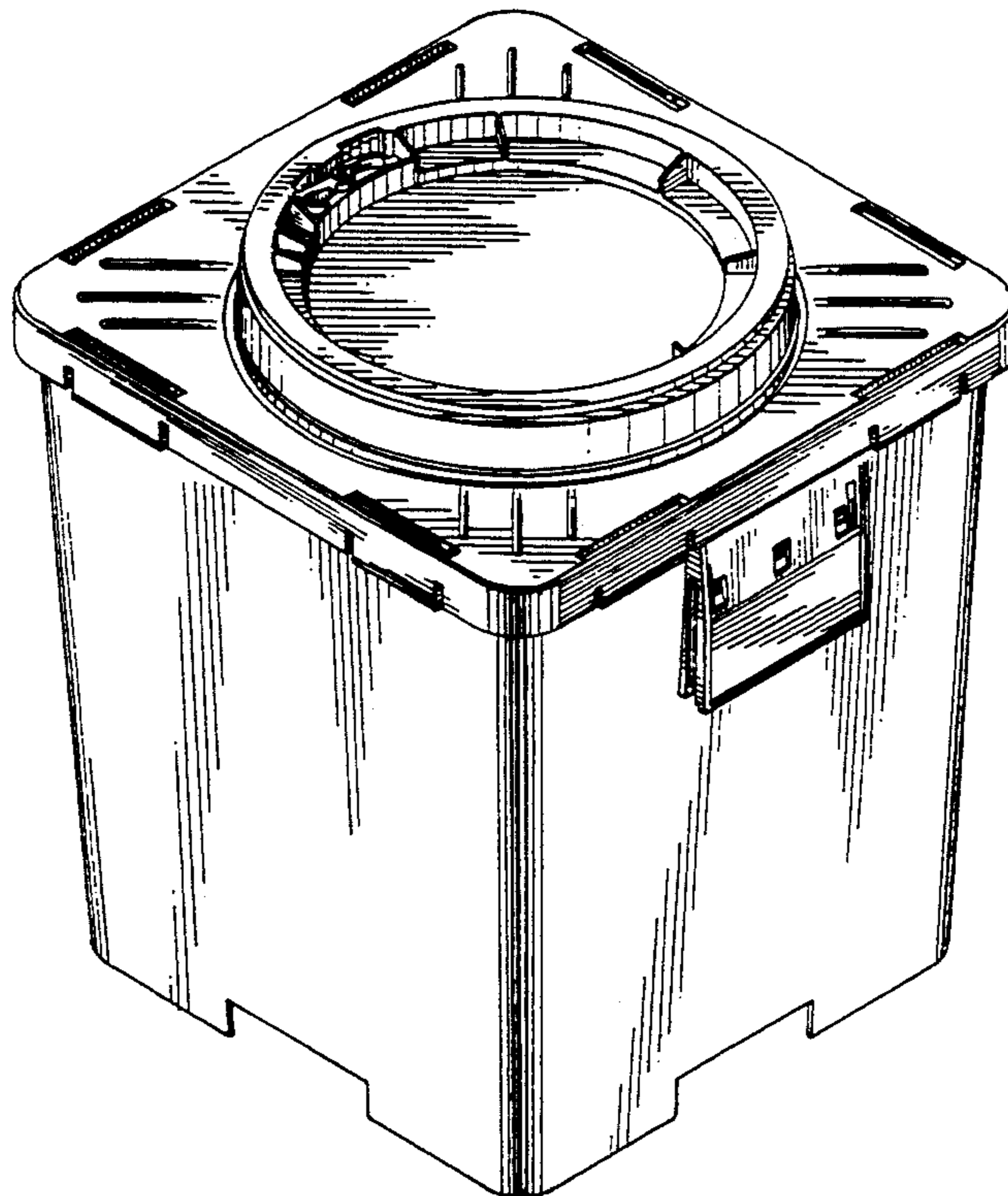


FIG. 1

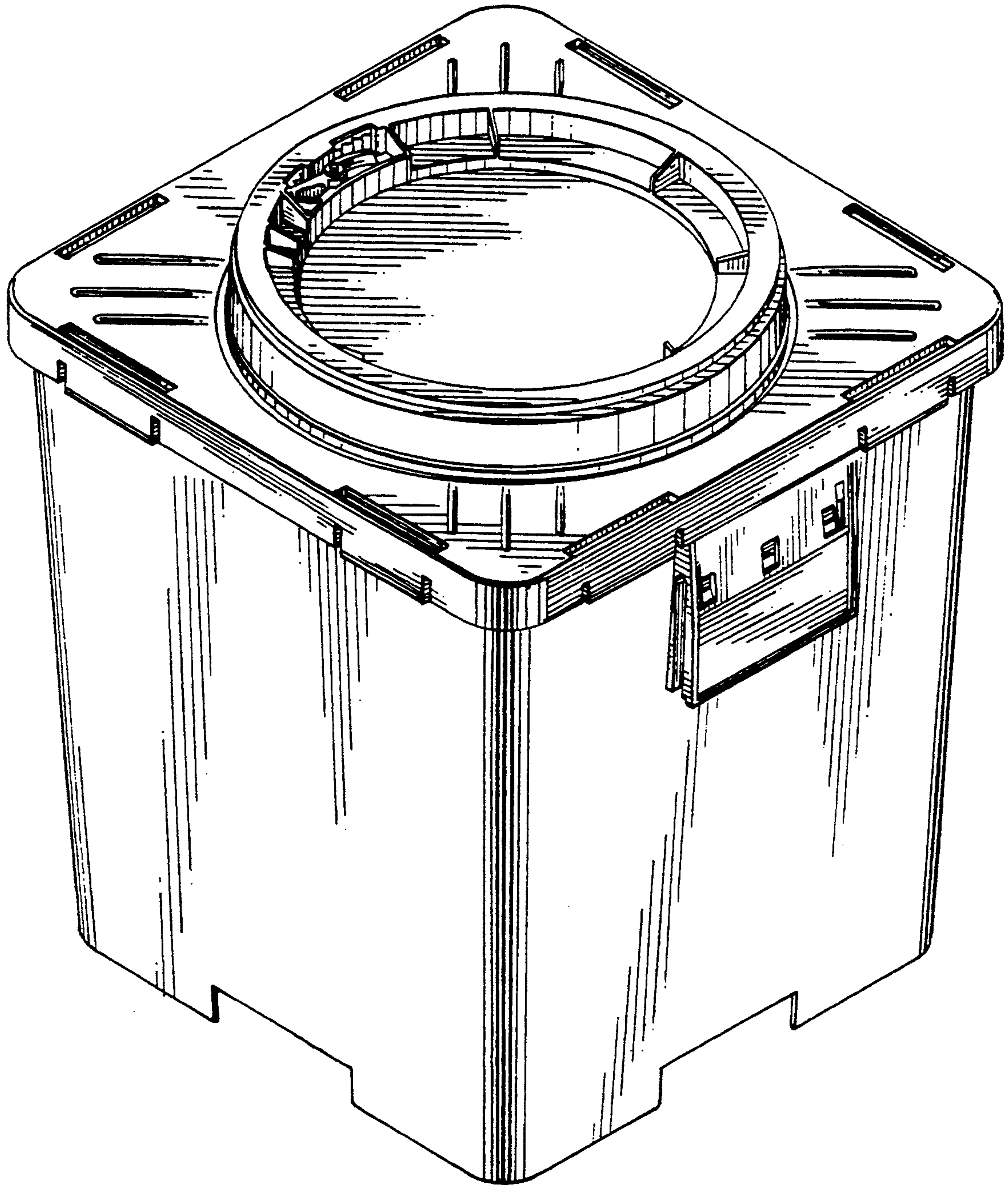


FIG. 2

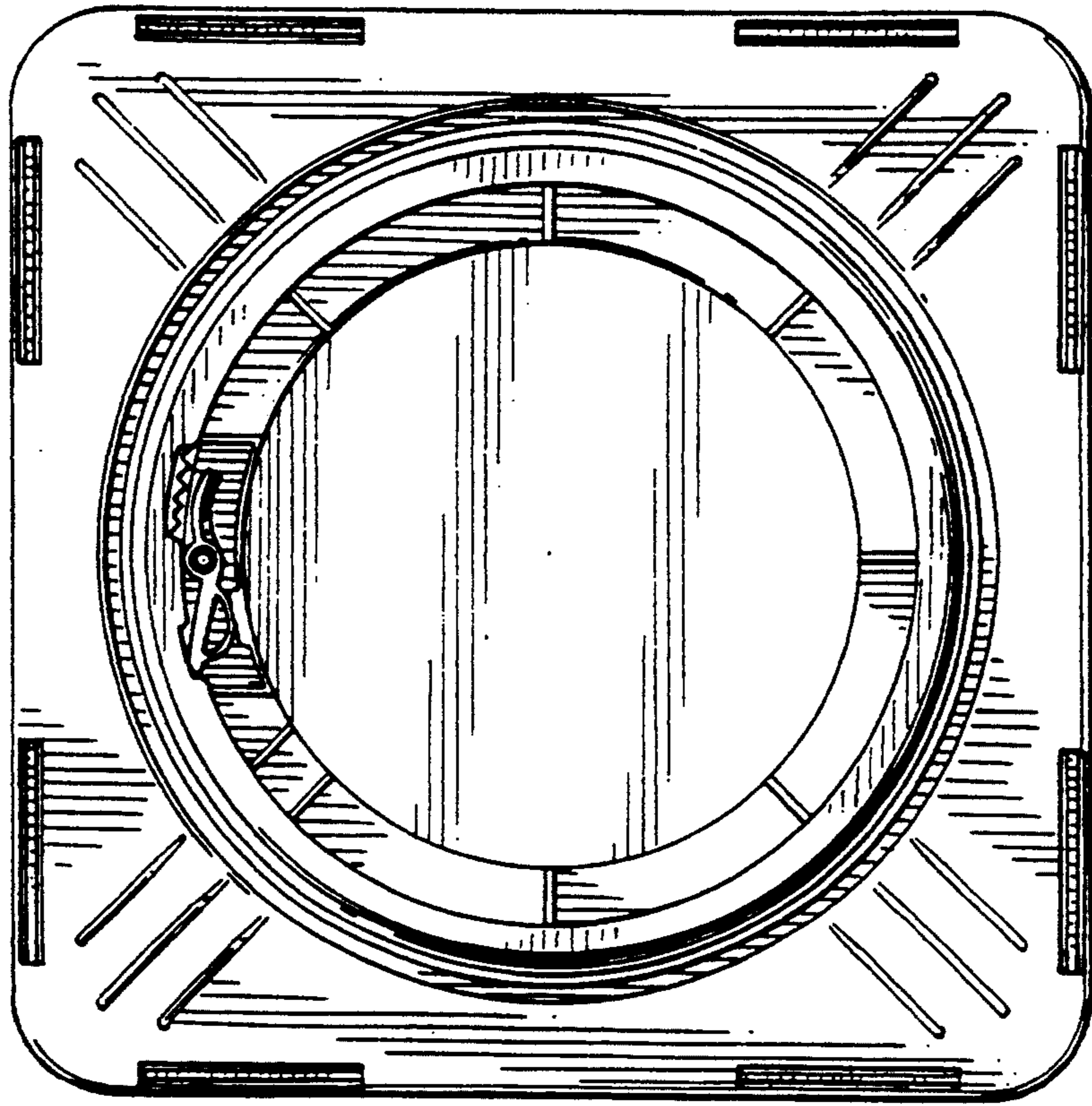


FIG. 3

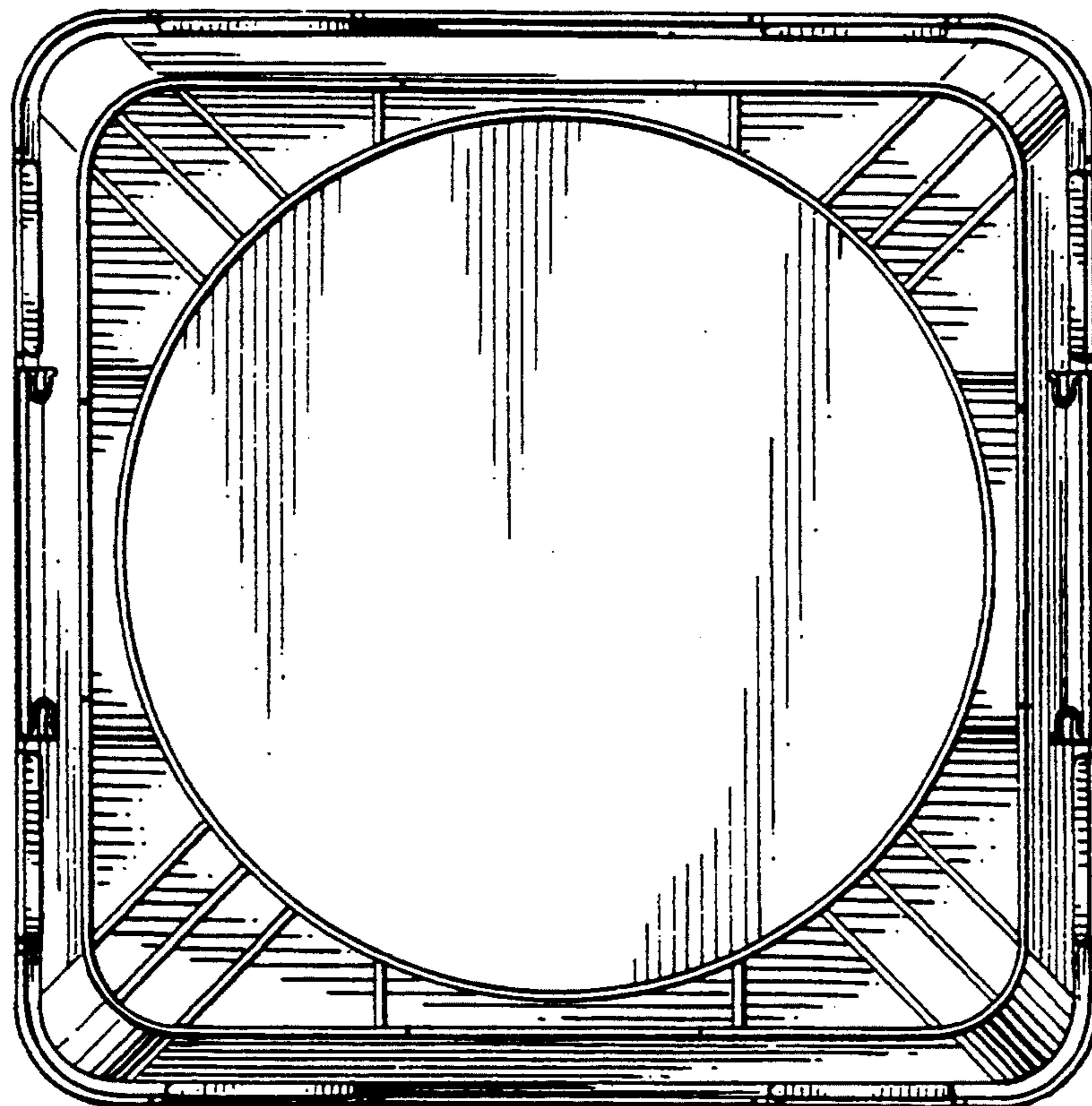


FIG. 5

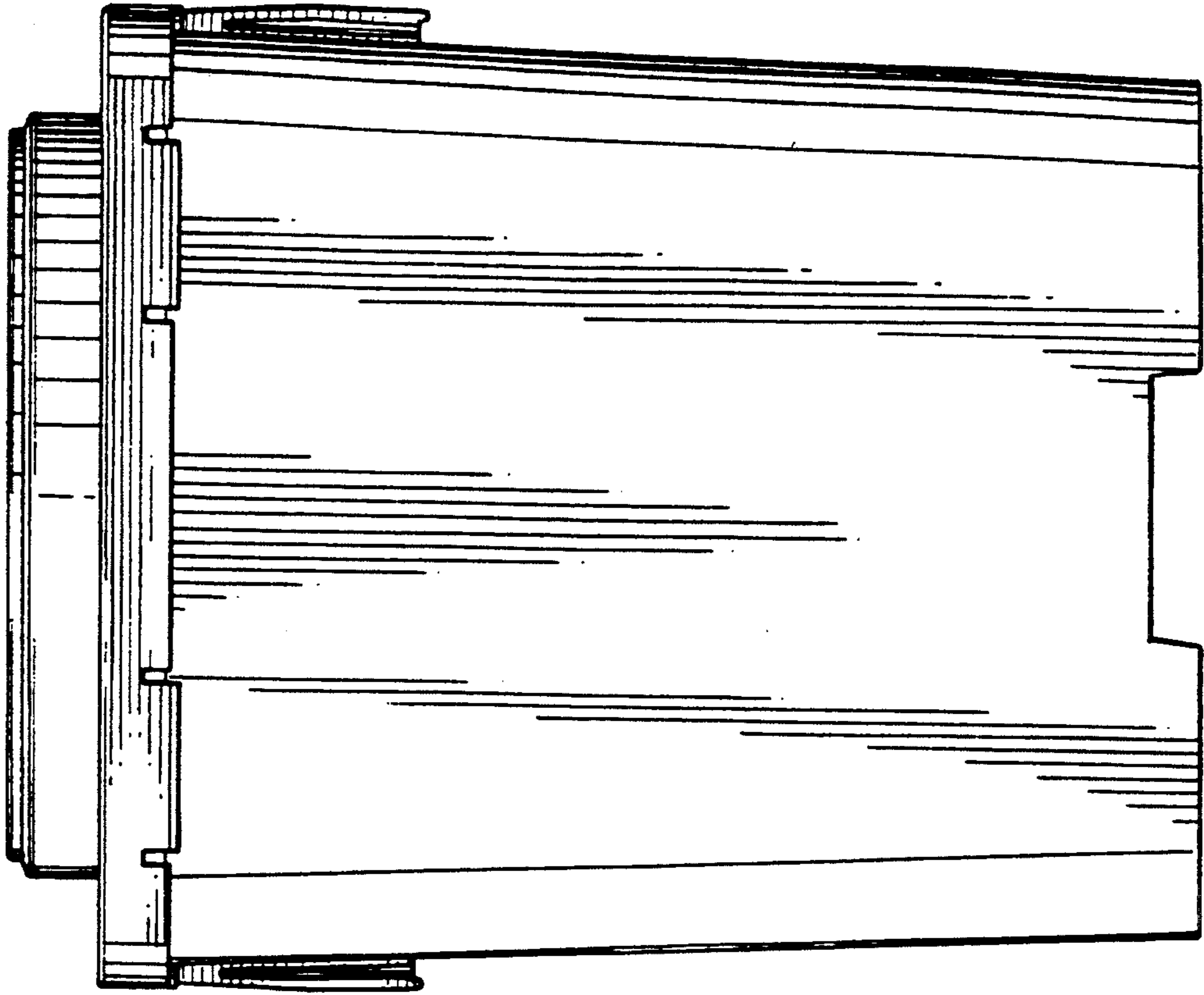


FIG. 4

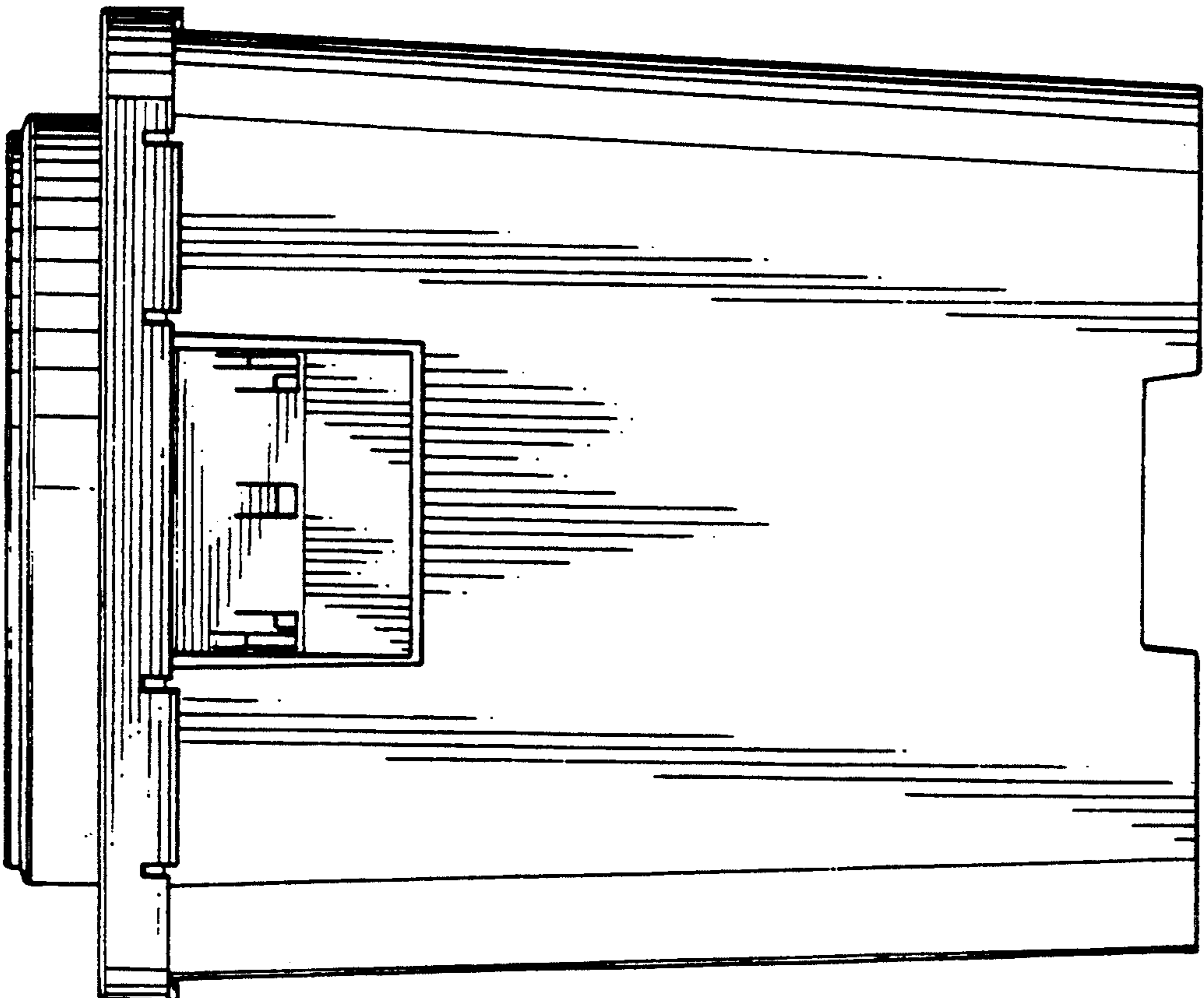


FIG. 6

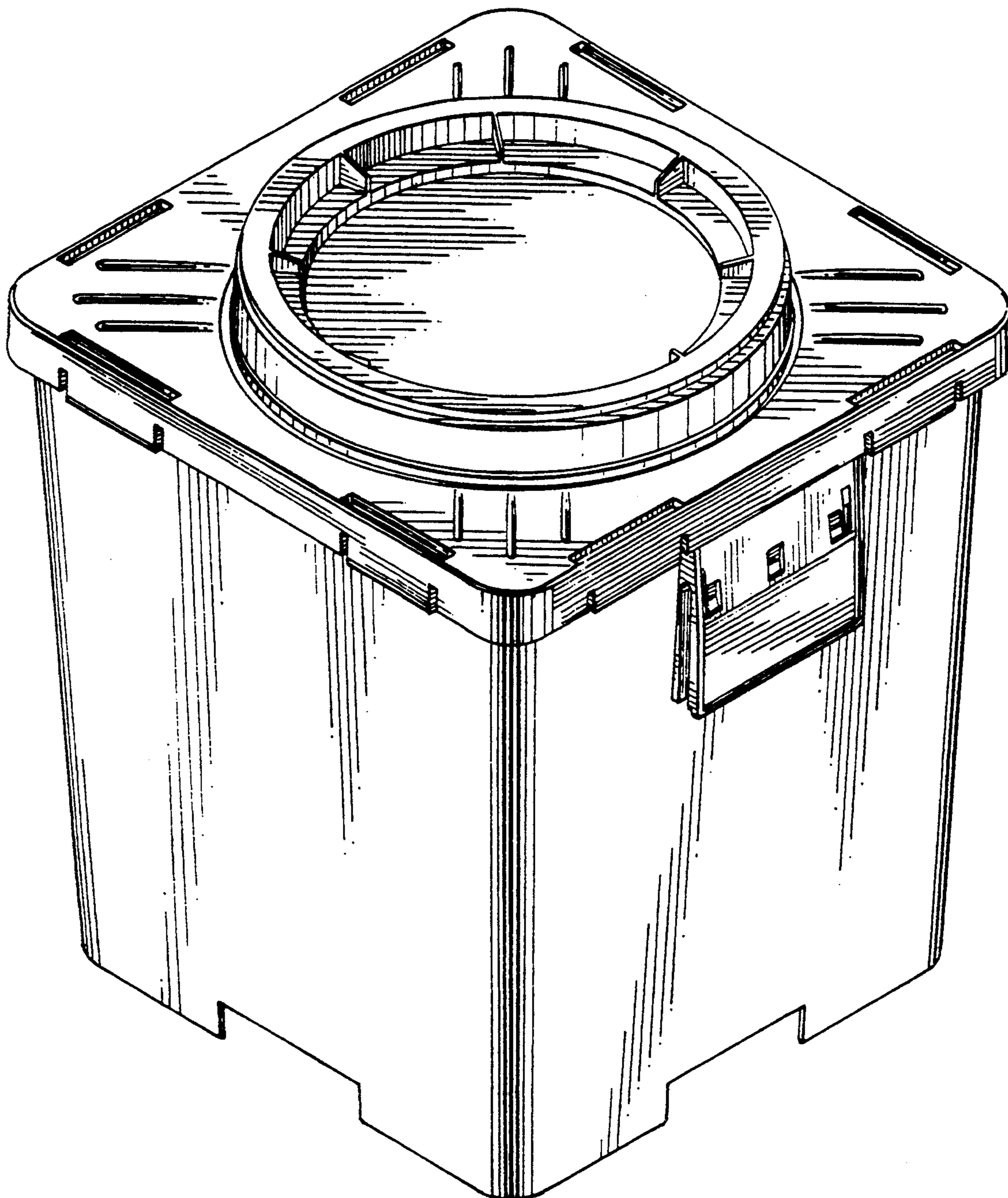


FIG. 7

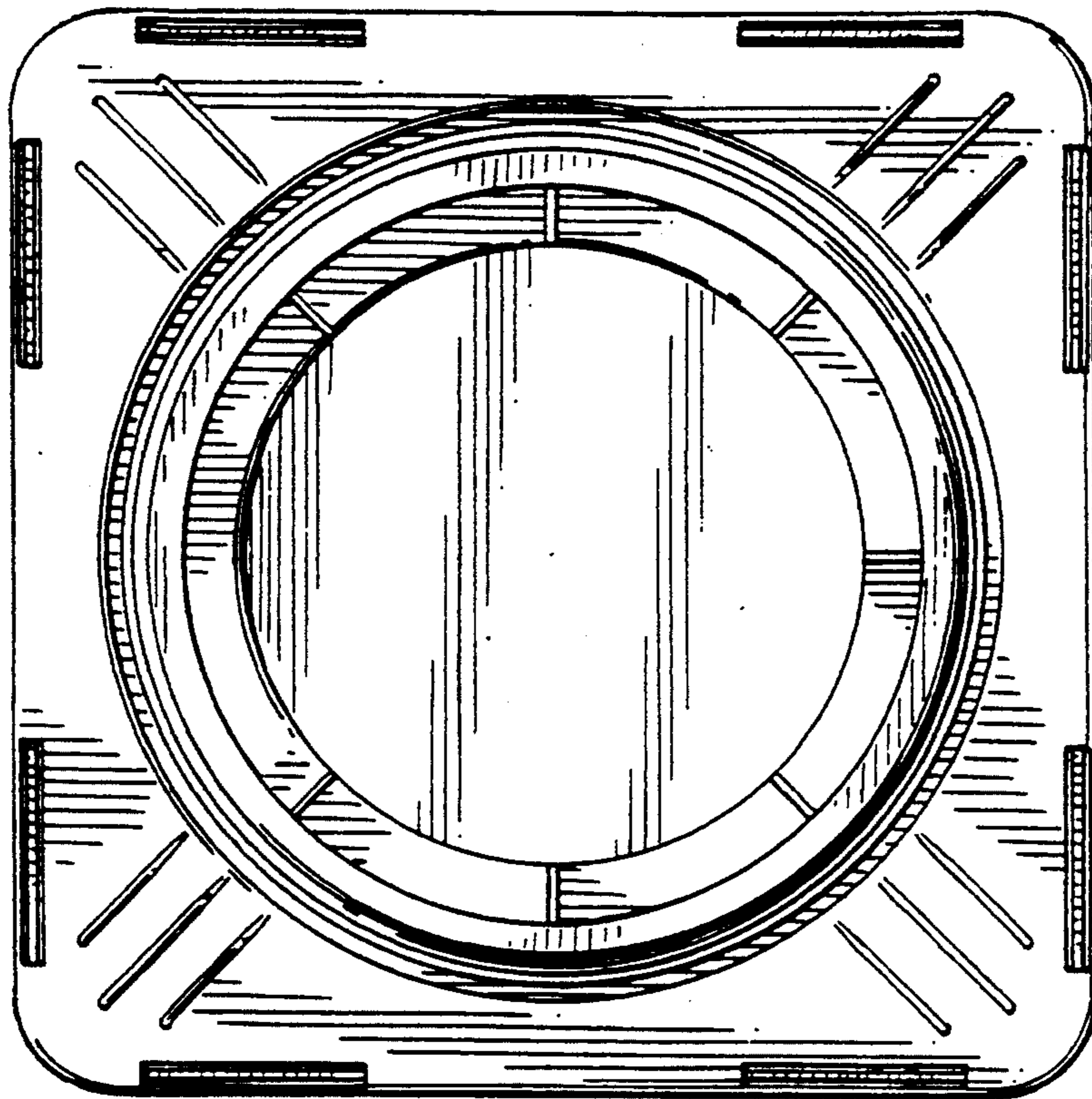


FIG. 8

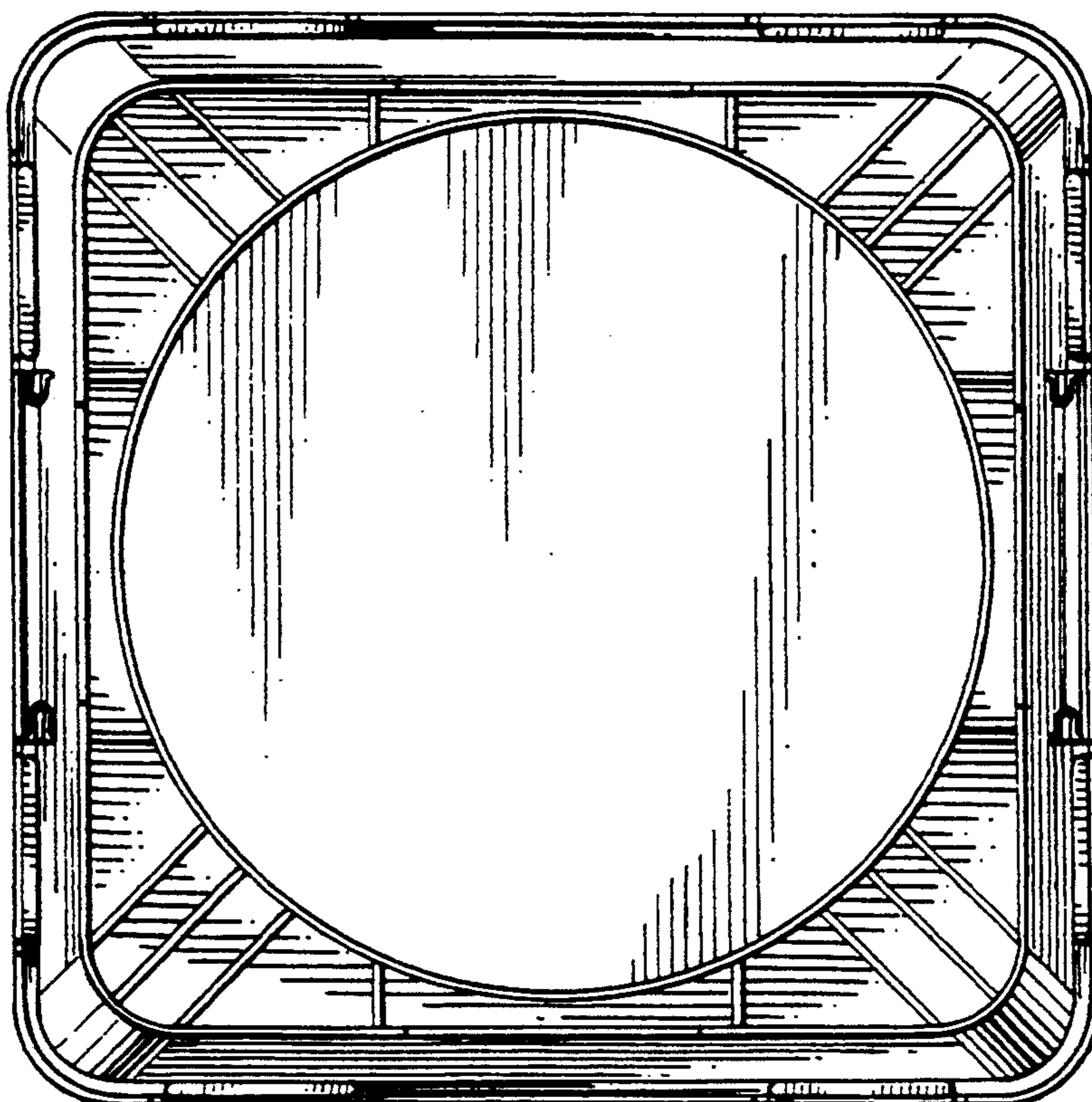


FIG. 9

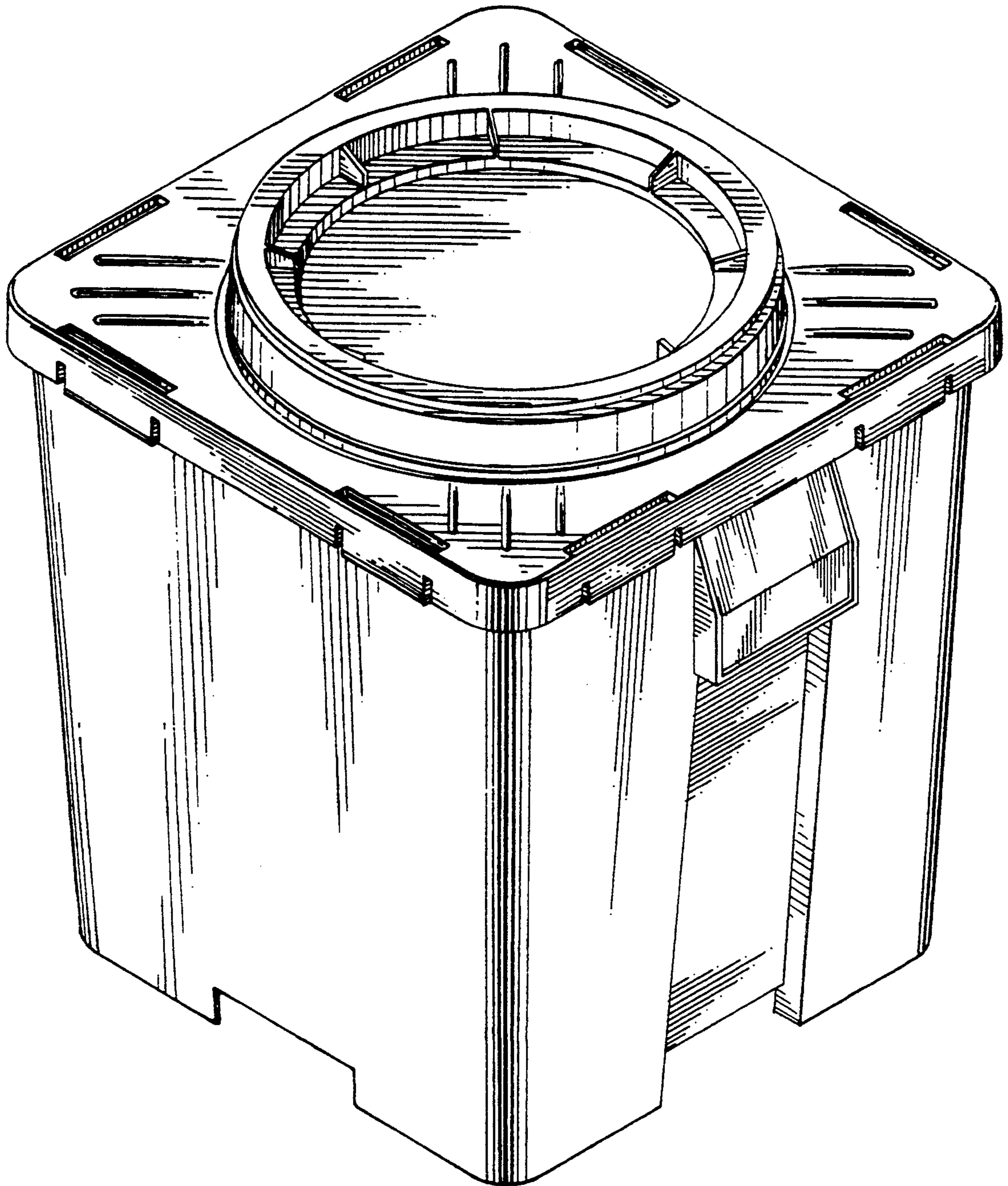


FIG. 10

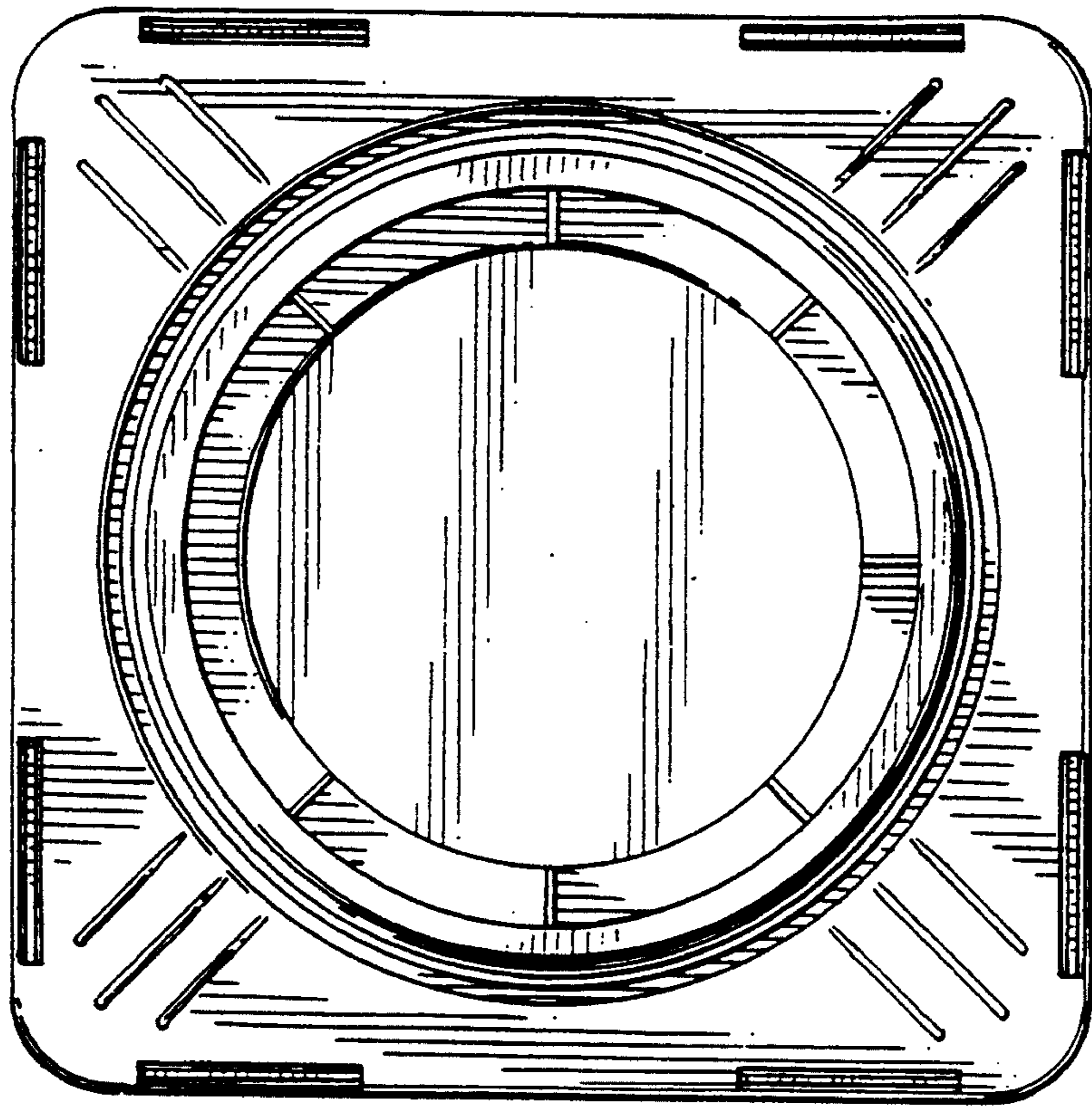


FIG. 11

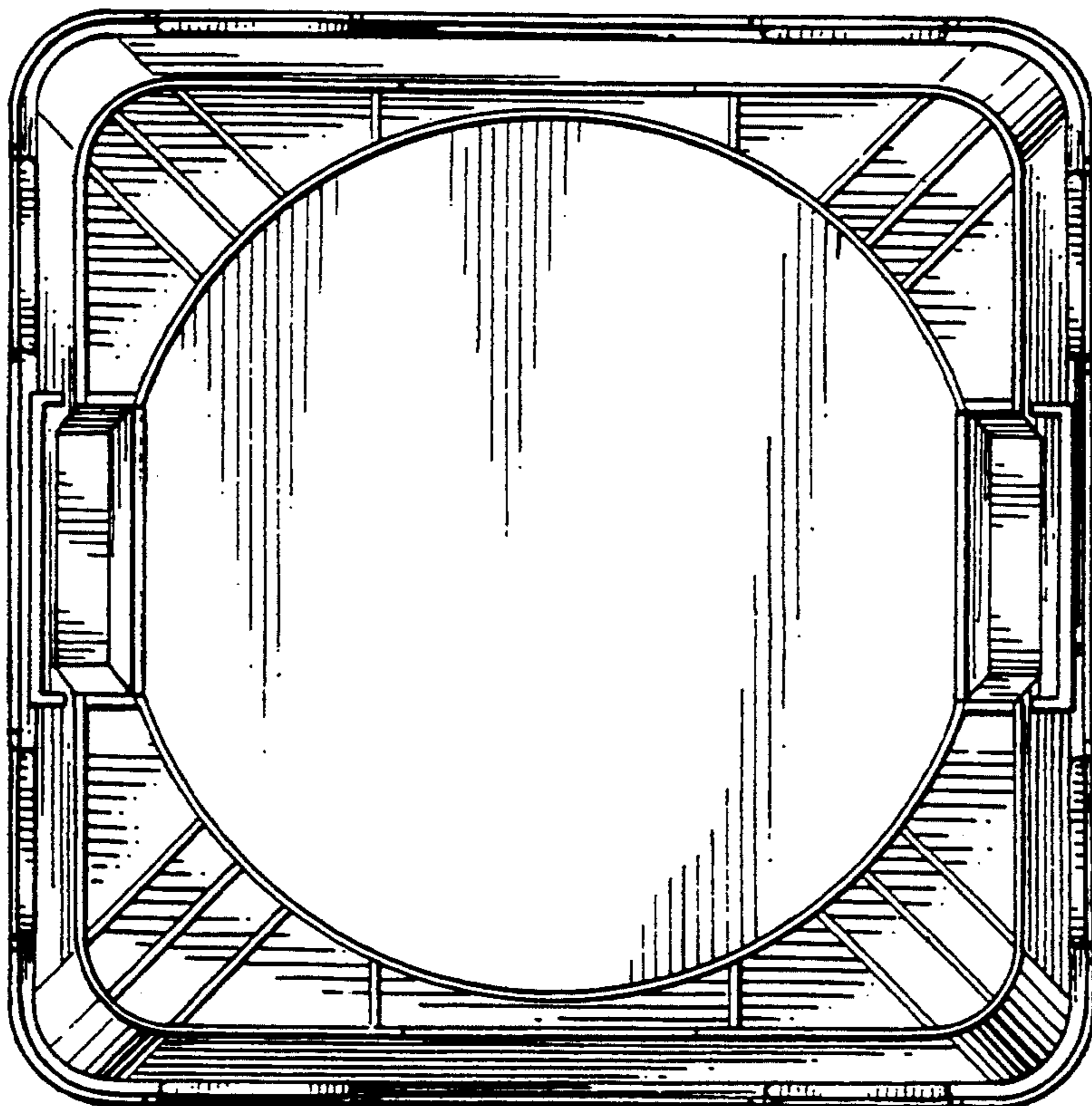


FIG. 13

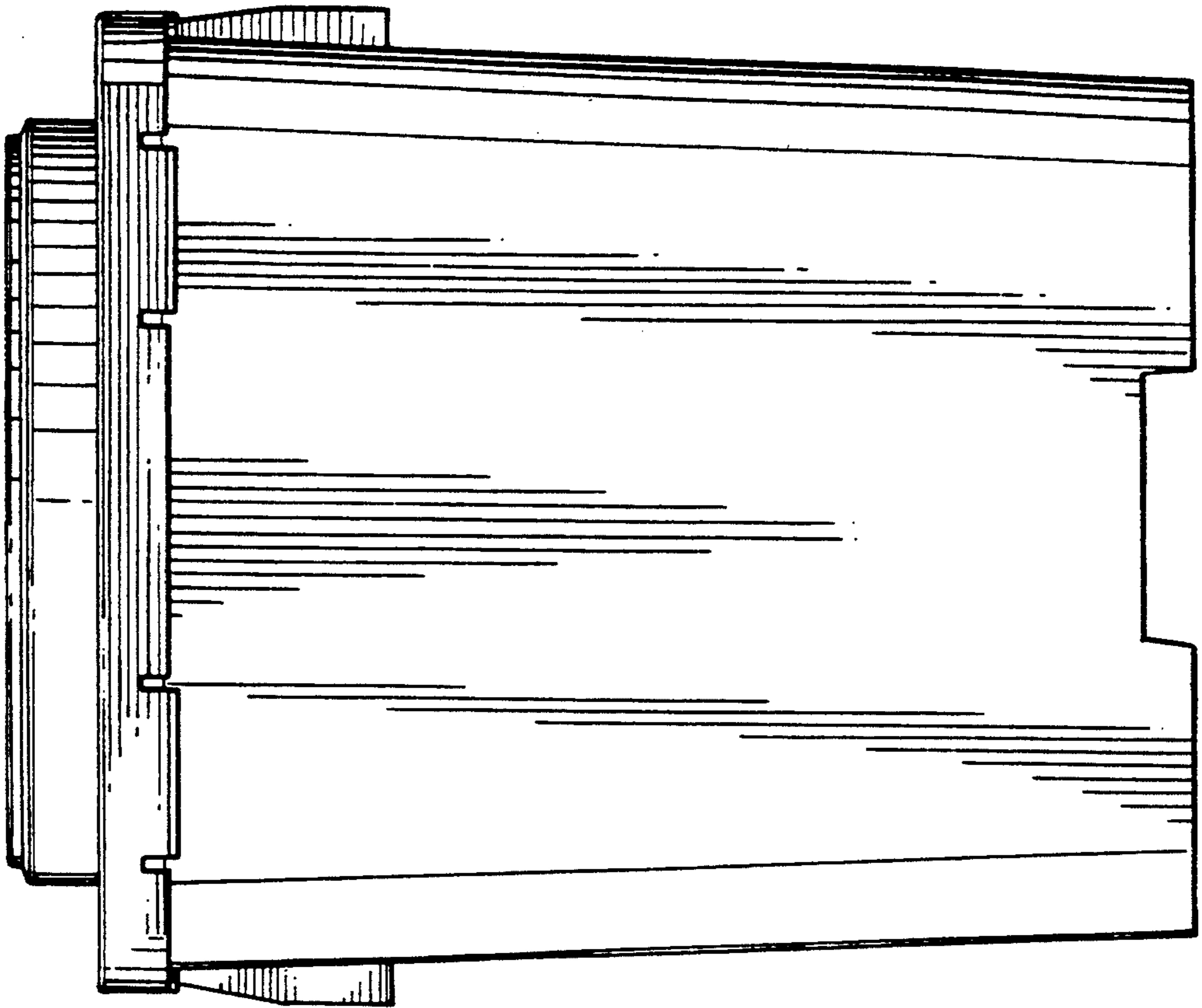


FIG. 12

