



US00D351790S

United States Patent [19]

[11] Patent Number: **Des. 351,790**

Haindl

[45] Date of Patent: **** Oct. 25, 1994**

[54] **CONTAINER FOR FOOD**

[75] Inventor: **Rudolf Haindl**, Walchwil, Switzerland

[73] Assignee: **Pactrade AG**, Baar, Switzerland

[**] Term: **14 Years**

[21] Appl. No.: **948,950**

[22] Filed: **Sep. 21, 1992**

[52] U.S. Cl. **D9/425; D3/304**

[58] Field of Search **D9/425, 500, 503, 504, D9/502, 557, 428; D3/304; 215/1 C, 1 R; 220/657, 659, 903, 912, 23.6**

| | | | |
|------------|---------|------------------------|----------|
| D. 267,929 | 2/1983 | Torterotot | D9/428 X |
| D. 269,593 | 7/1983 | Gruodis et al. | D9/502 |
| D. 290,811 | 7/1987 | Cleveland, Jr. | D9/500 |
| 3,754,699 | 8/1973 | Moore | D9/500 X |
| 4,313,546 | 2/1982 | Holt | 220/659 |
| 4,972,963 | 11/1990 | Guarriello et al. | 220/659 |

Primary Examiner—Melvin B. Feifer
Assistant Examiner—Cheri Cohen
Attorney, Agent, or Firm—Bacon & Thomas

[57] **CLAIM**

The ornamental design for a container for food, as shown and described.

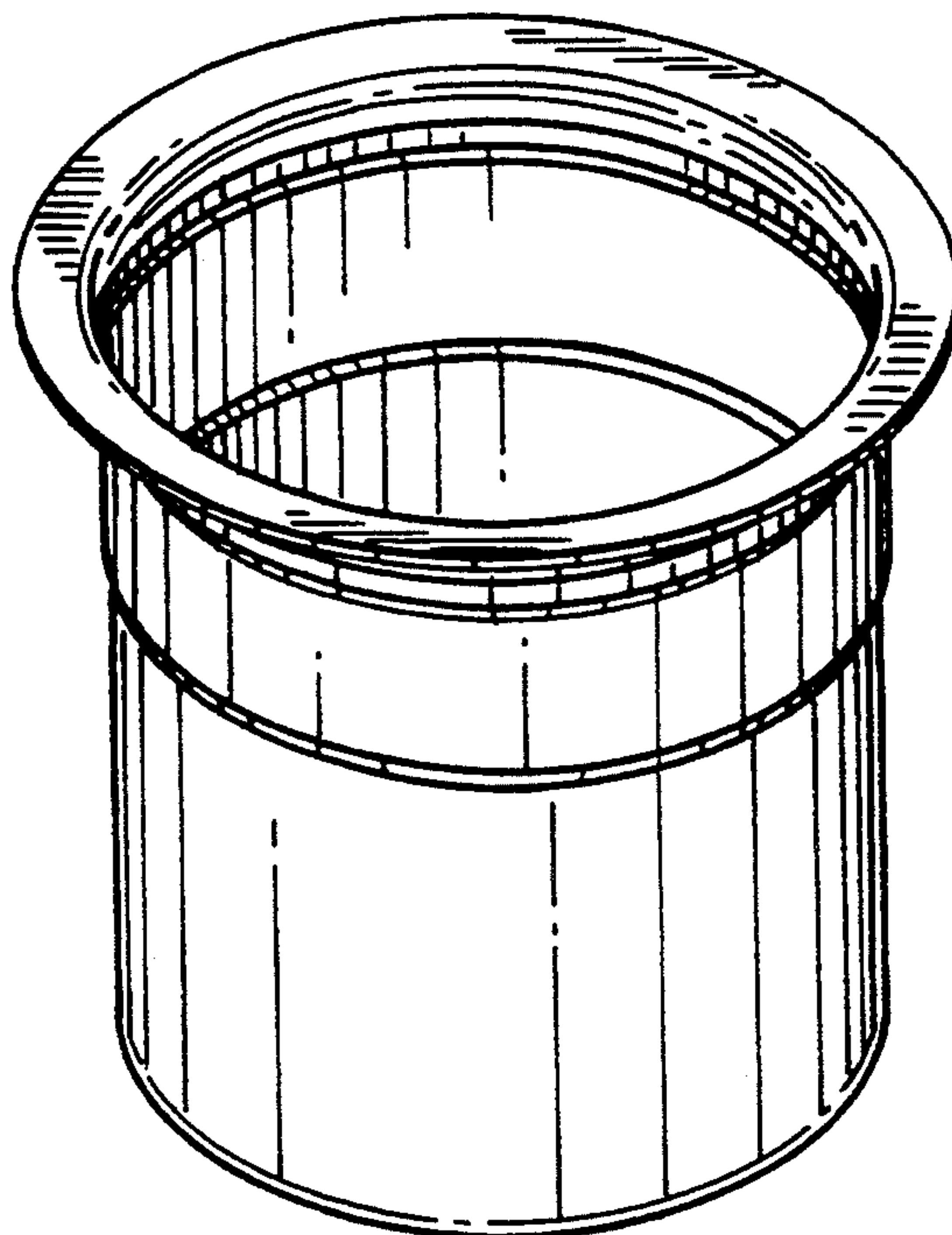
DESCRIPTION

FIG. 1 is a top perspective view of a container for food showing my new design;
FIG. 2 is a side elevational view thereof;
FIG. 3 is a bottom plan view thereof; and,
FIG. 4 is a top plan view thereof.

[56] **References Cited**

U.S. PATENT DOCUMENTS

| | | | |
|------------|---------|----------------------|--------|
| D. 254,295 | 2/1980 | Reynolds et al. | D9/500 |
| D. 256,333 | 8/1980 | Campbell et al. | D9/500 |
| D. 266,398 | 10/1982 | Haag, Sr. | D9/500 |



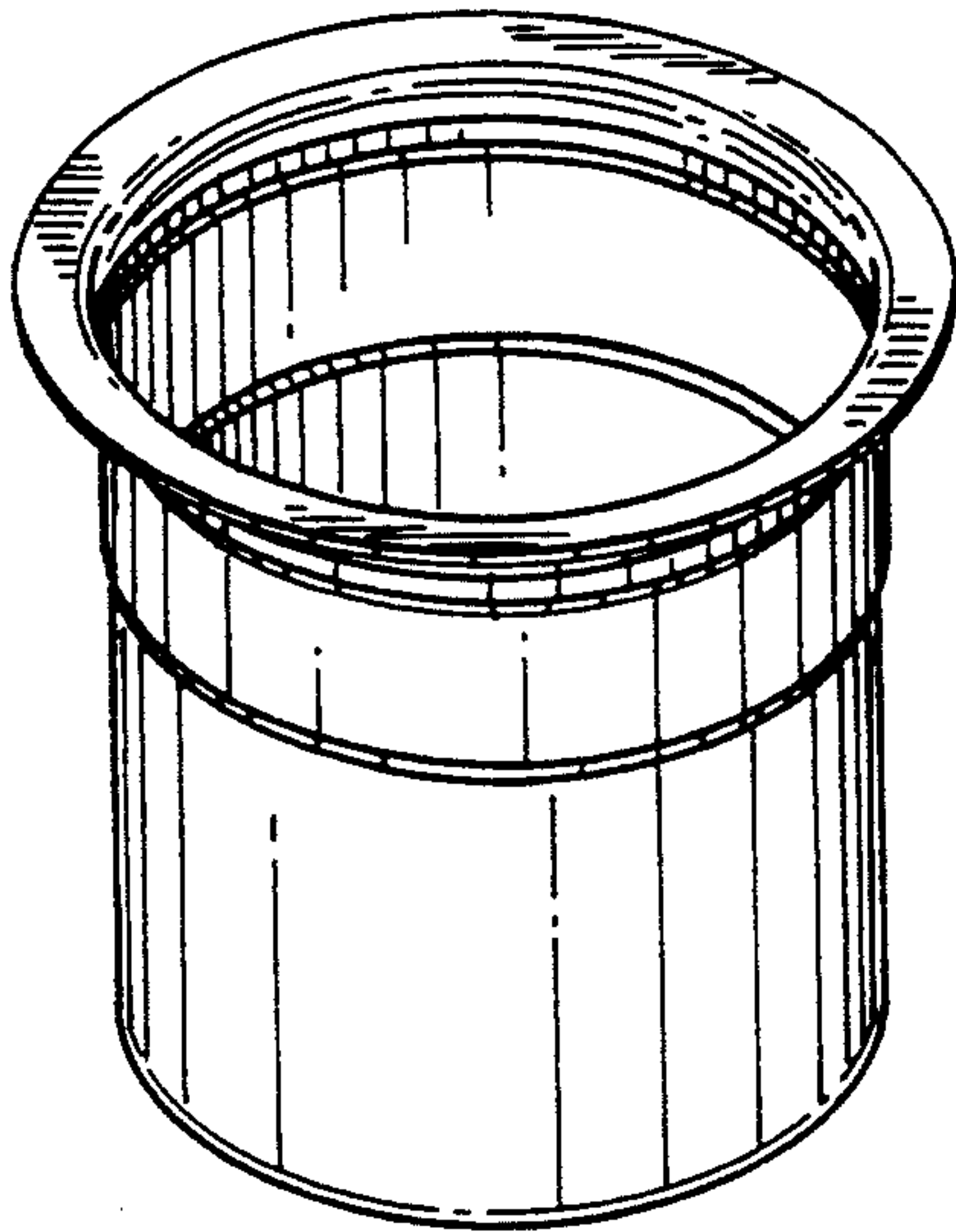


FIG. 1

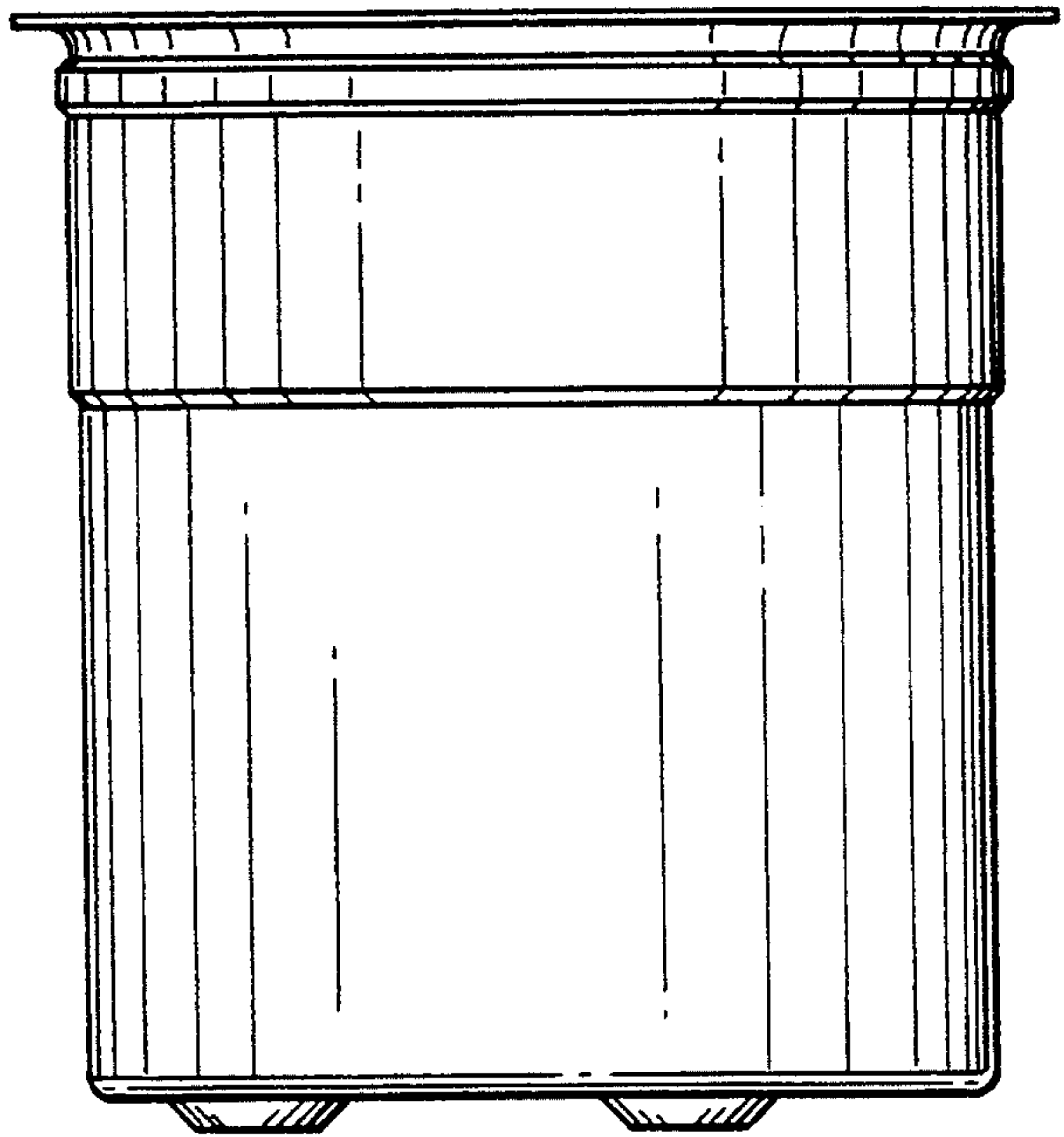


FIG. 2

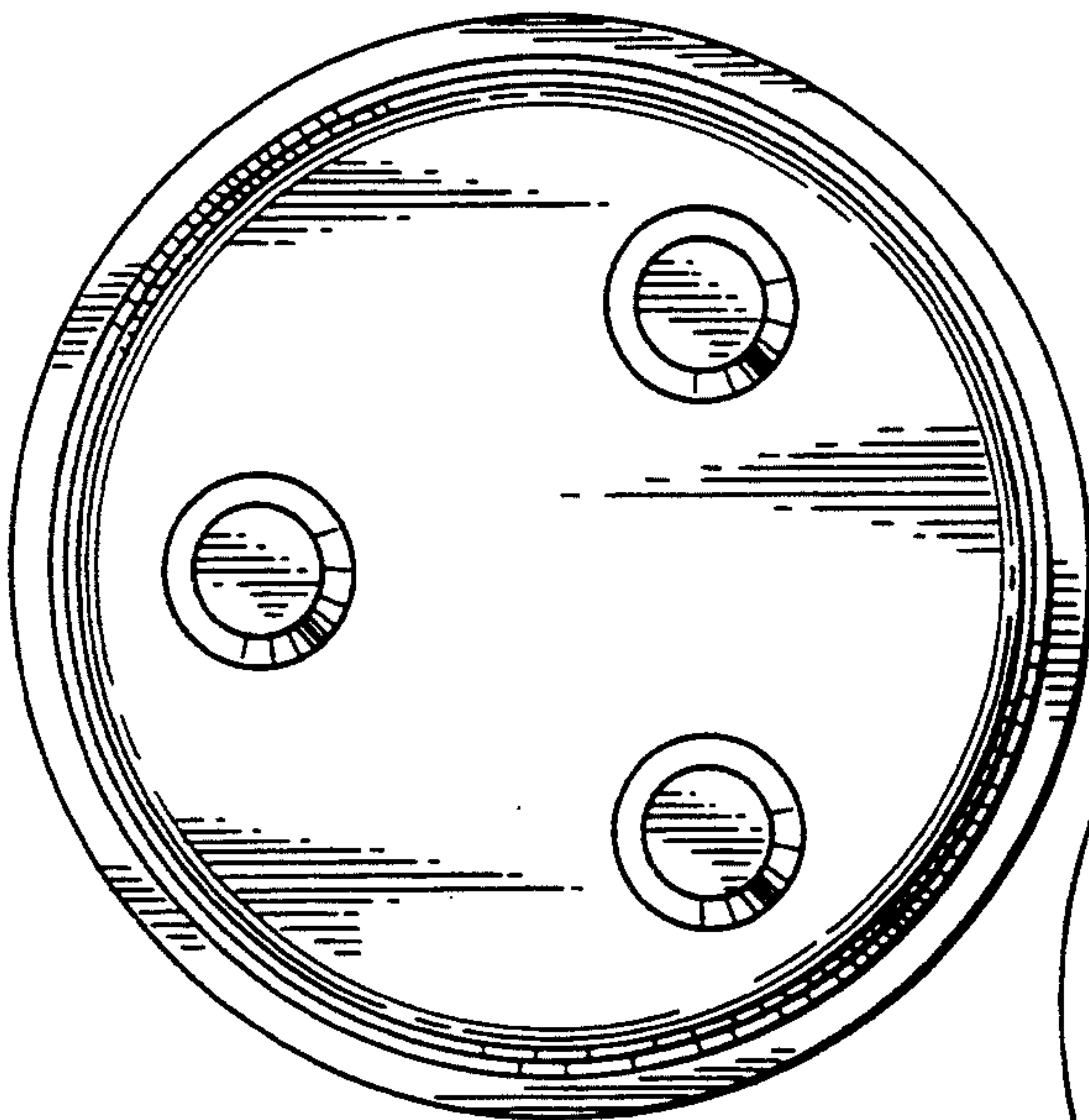


FIG. 3

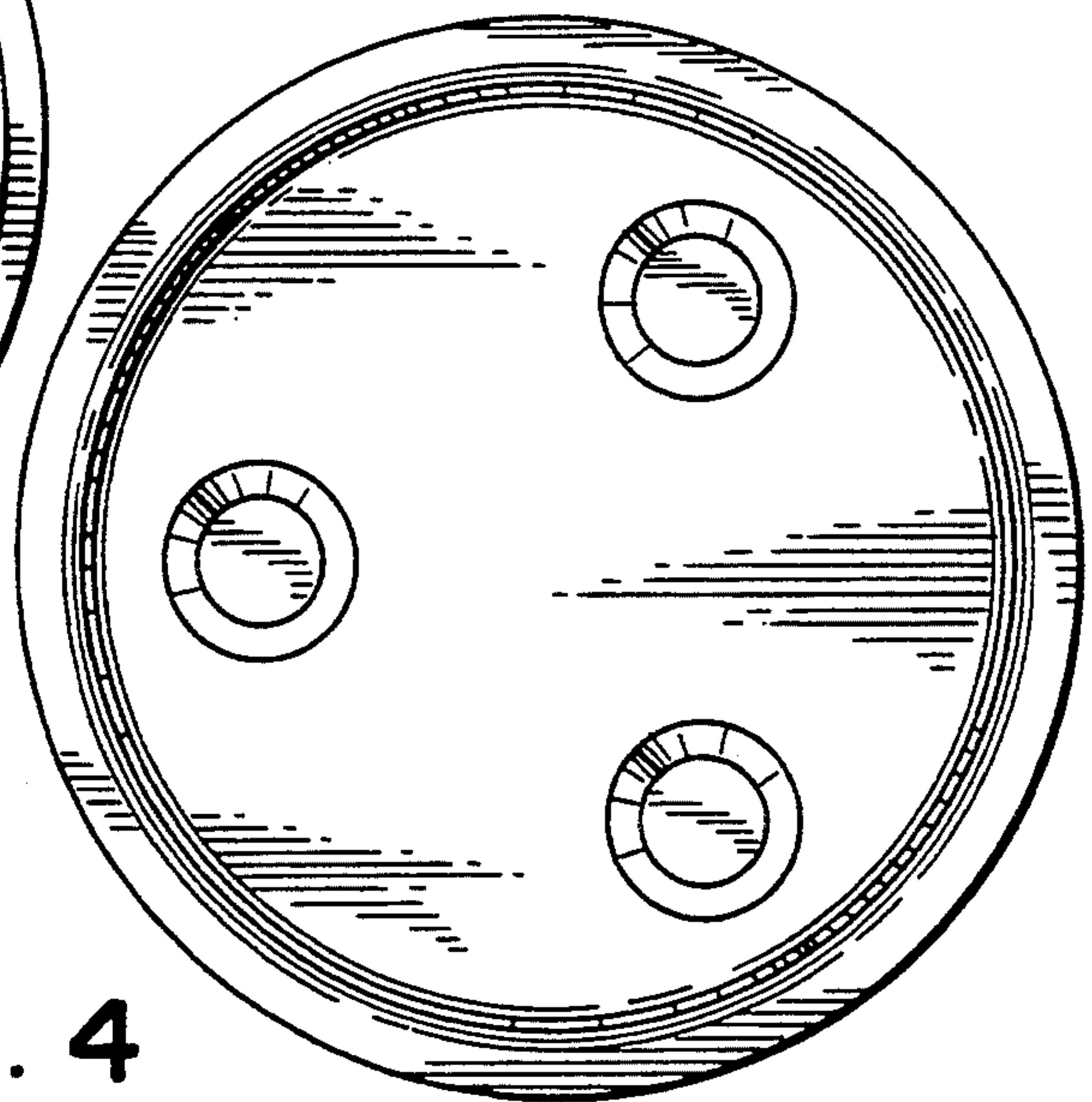


FIG. 4