



US00D351788S

United States Patent [19]

[11] Patent Number: Des. 351,788

Love

[45] Date of Patent: ** Oct. 25, 1994

[54] HEARING AID CONTAINER

4,934,556 6/1990 Kleissendorf 220/375 X
5,145,097 9/1992 Lowe 220/375 X

[76] Inventor: Dena L. Love, 4021-B Crackerneck, Independence, Mo. 64055

Primary Examiner—Prabhaker G. Deshmukh
Attorney, Agent, or Firm—Kokjer, Kircher, Bowman & Johnson

[**] Term: 14 Years

[21] Appl. No.: 1,708

[57] CLAIM

[22] Filed: Nov. 20, 1992

The ornamental design for a hearing aid container, as shown and described.

[52] U.S. Cl. D9/422

[58] Field of Search D9/420-423,
D9/424.50 L, 337, 529, 414, 446; 206/581, 38,
303, 363, 370, 37, 524.1, 828; 220/252, 307, 340,
253, 375, 376; D7/603

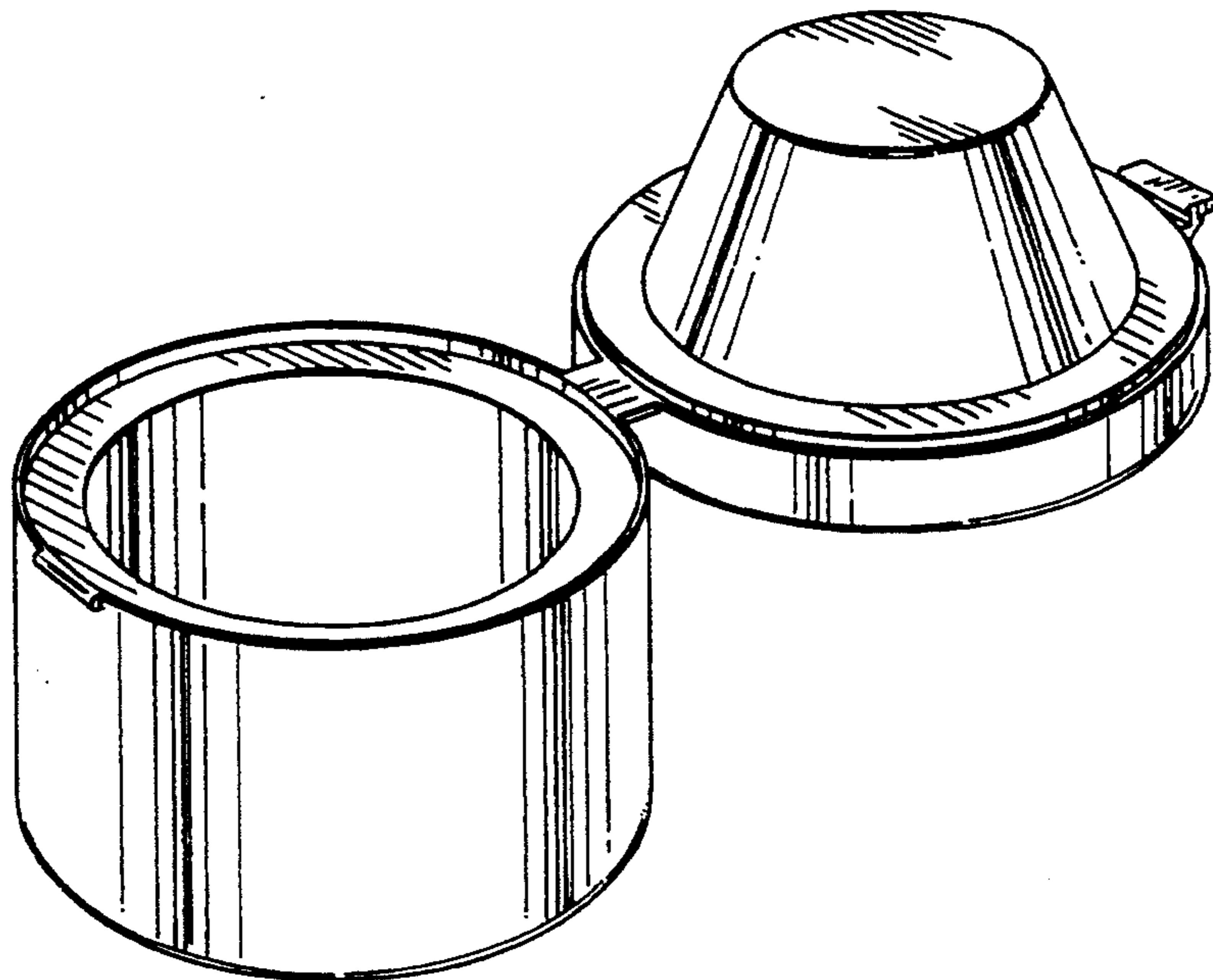
DESCRIPTION

[56] References Cited

U.S. PATENT DOCUMENTS

D. 286,750 11/1986 Hamilton et al. D9/446 X
D. 328,705 8/1992 Krupa D9/420
D. 343,591 1/1994 Lovato D9/420
4,029,202 6/1977 Lasich et al. 220/375 X
4,146,146 3/1979 Mar 220/375 X

FIG. 1 is a perspective view of a hearing aid container, showing my new design; shown in an open position; FIG. 2 is a right side view in an opened position with the left side view being a mirrored image thereof; FIG. 3 is a front view in an opened position thereof; FIG. 4 is a rear view in an opened position thereof; FIG. 5 is a top plan view in an opened position thereof; FIG. 6 is a bottom plan view in an opened position thereof; and, FIG. 7 is a perspective view in a closed position.



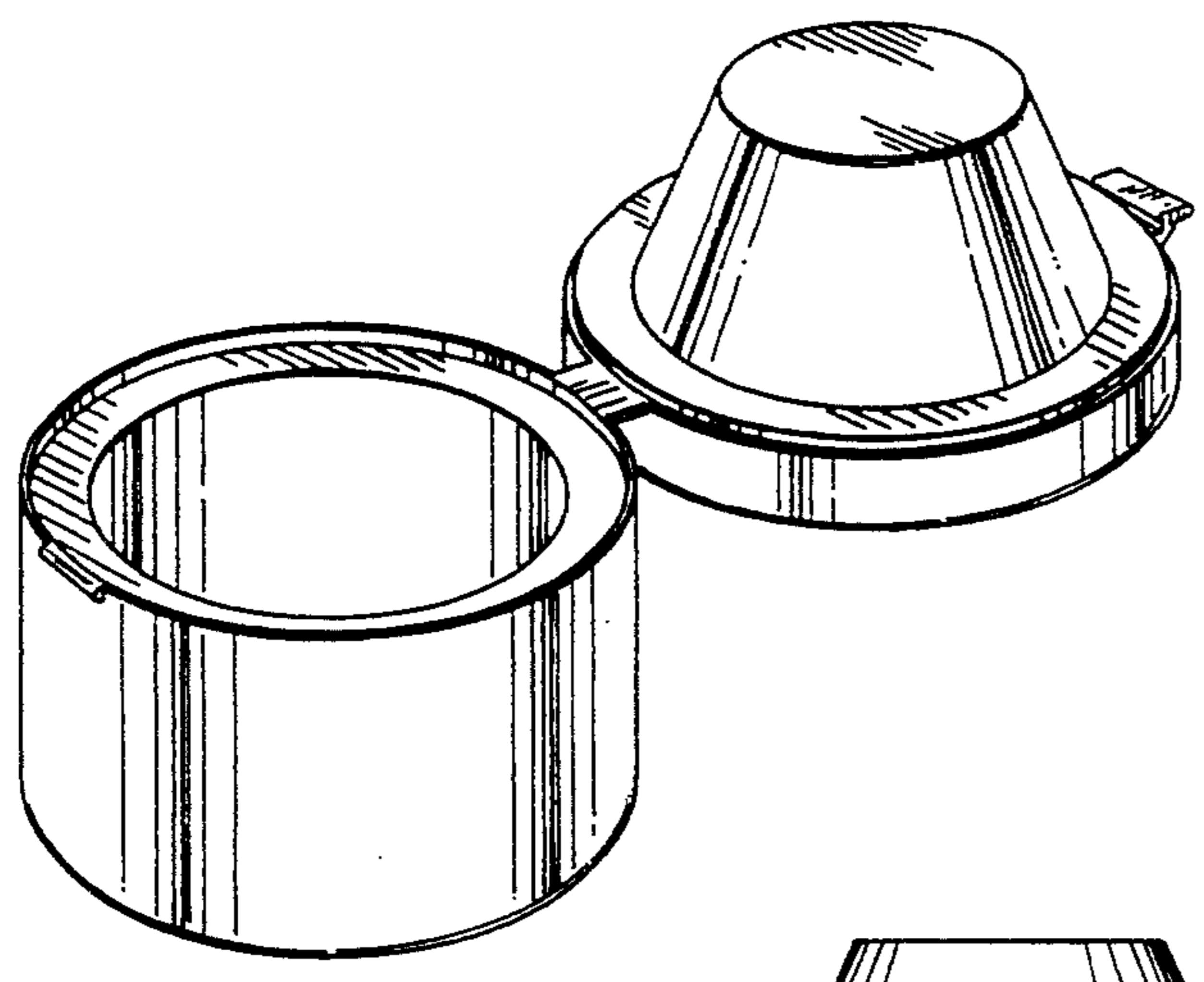


Fig. 1.

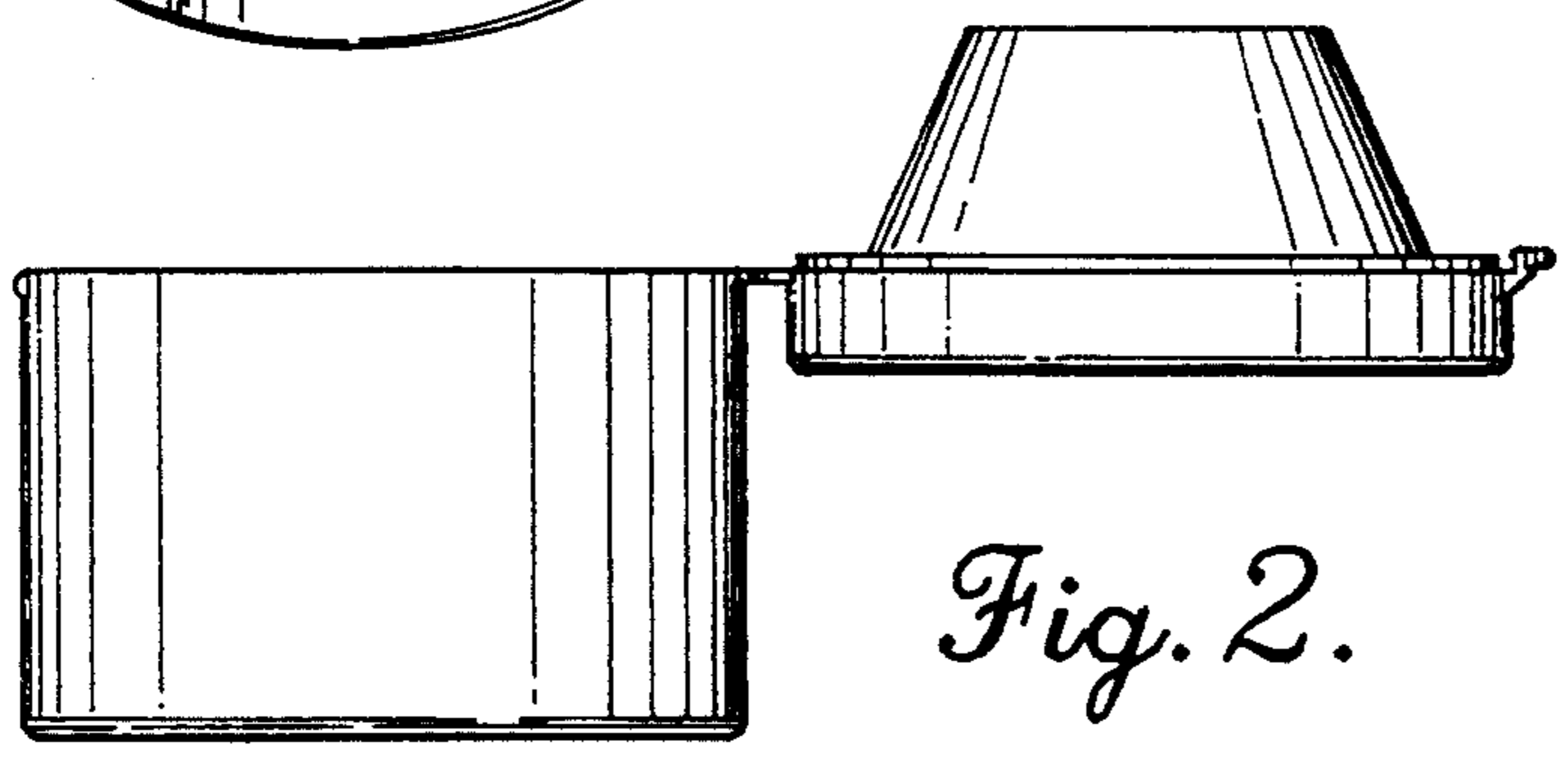


Fig. 2.

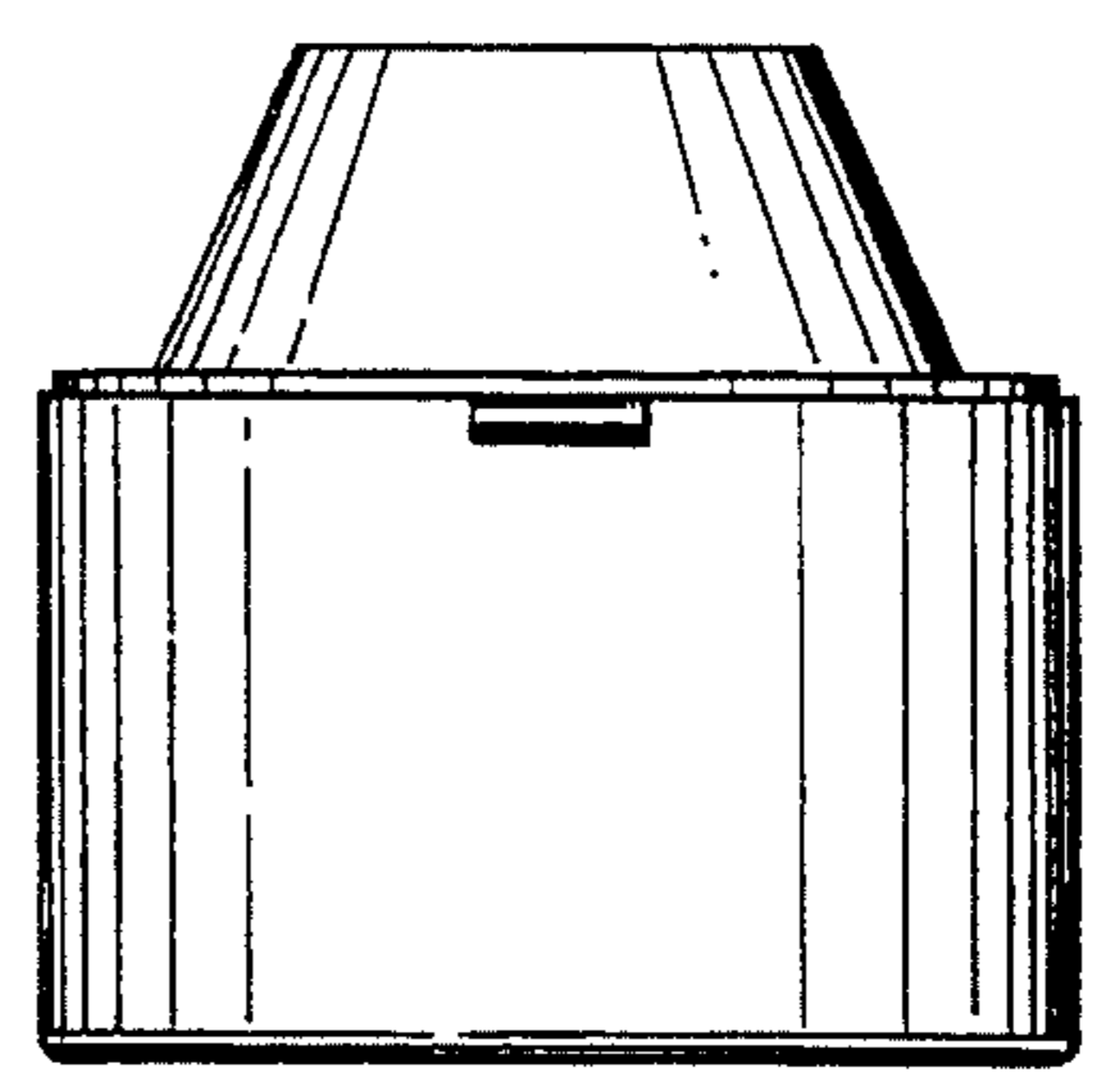


Fig. 3.

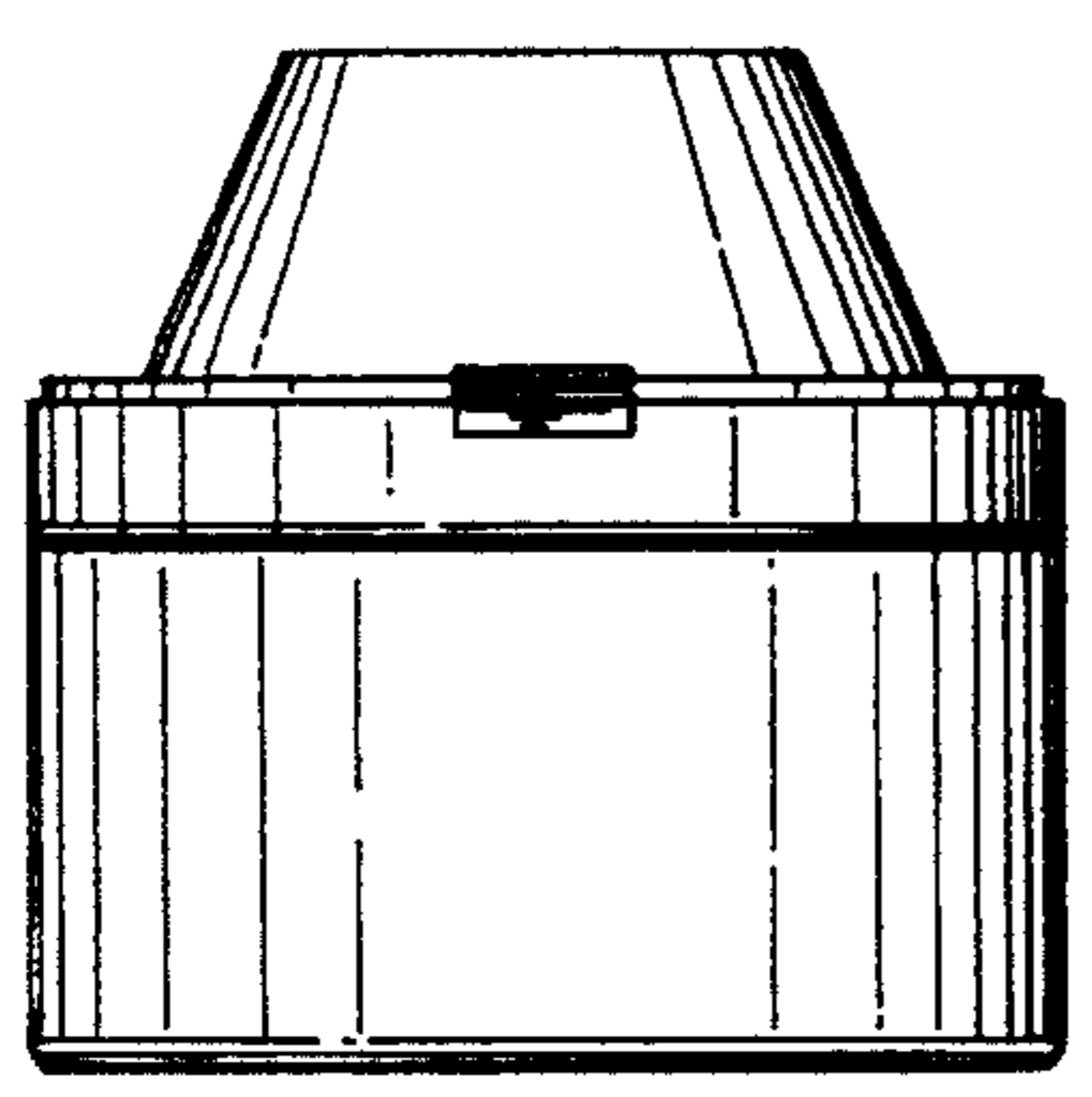


Fig. 4.

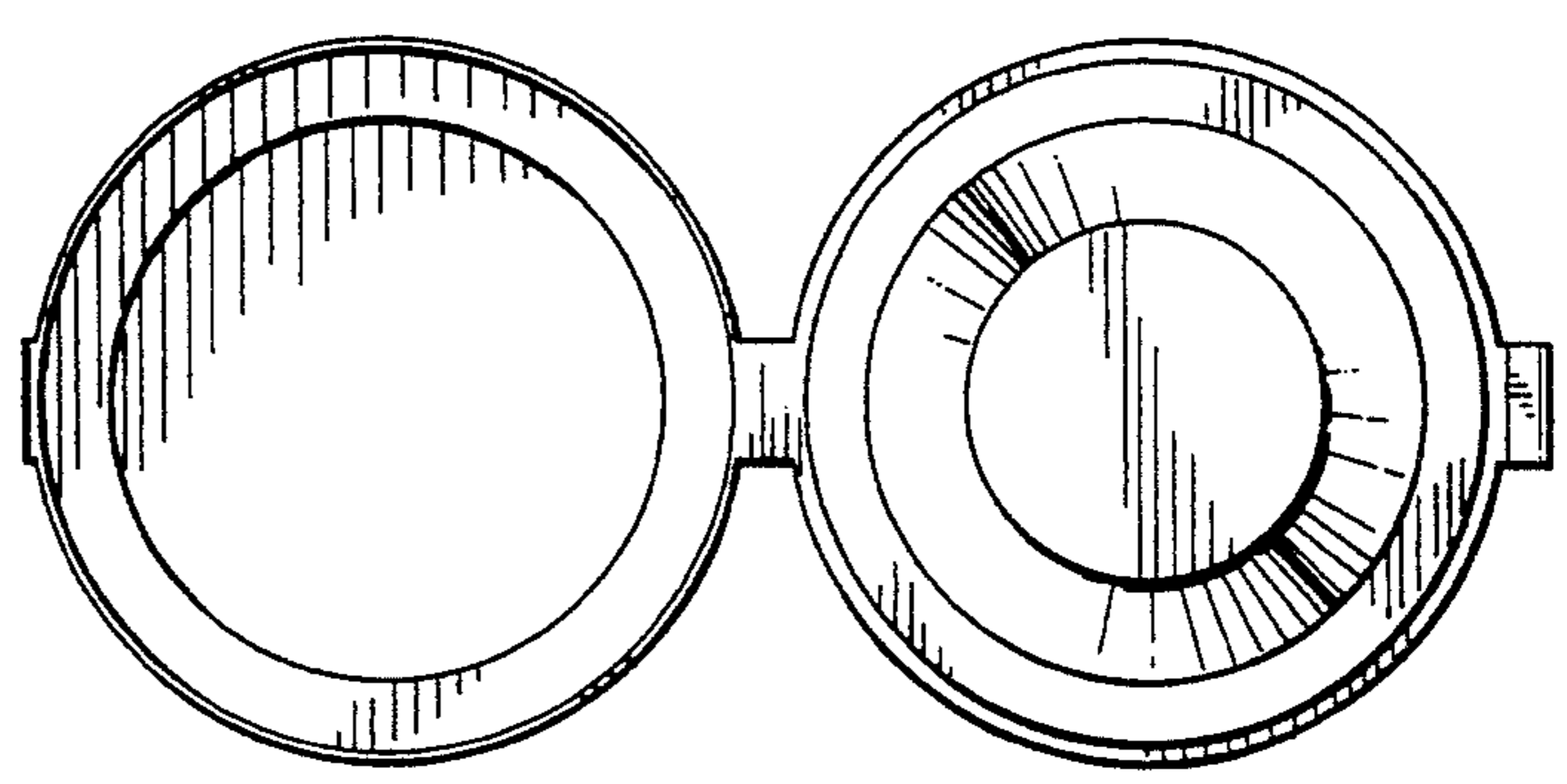


Fig. 5.

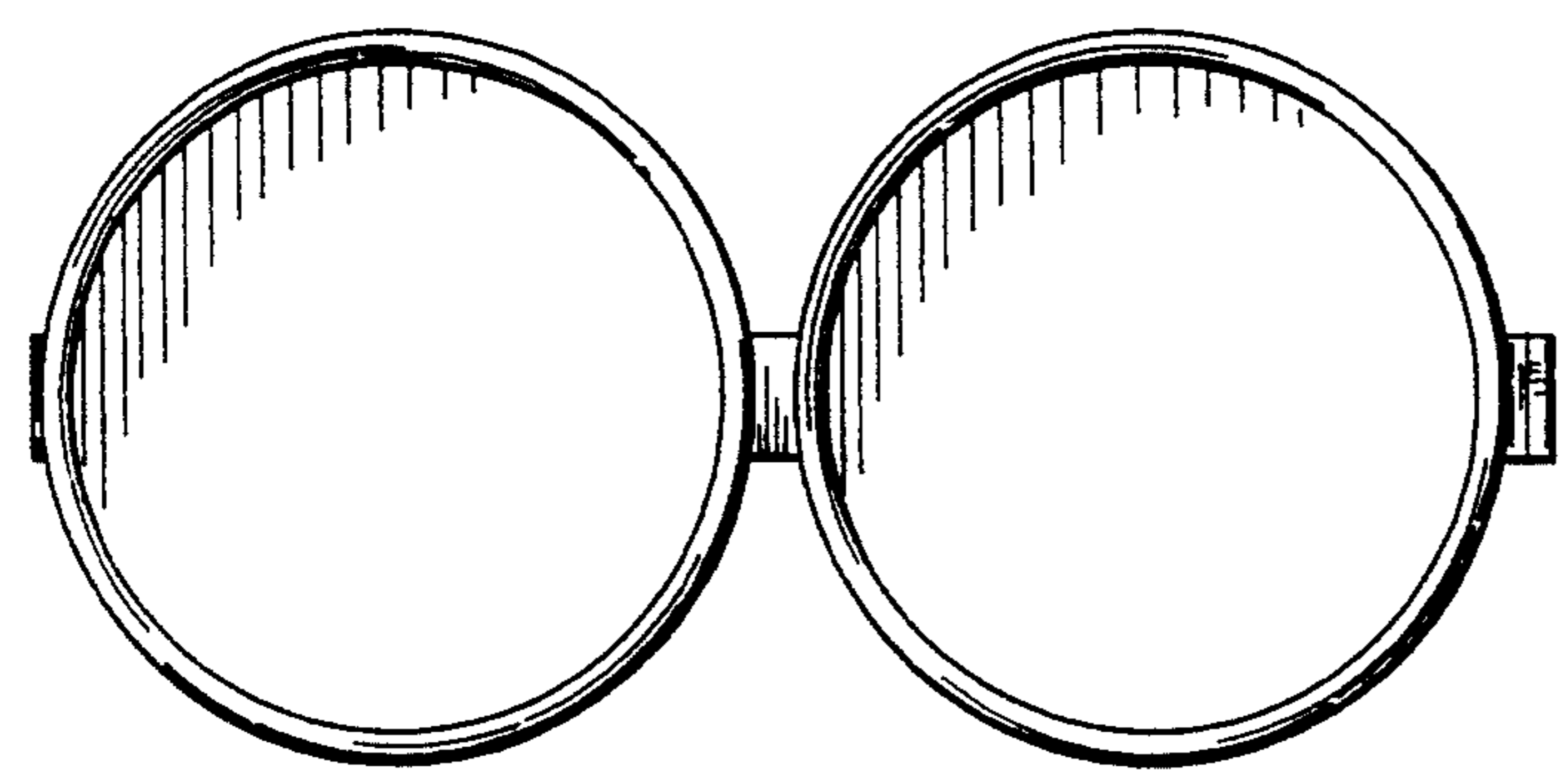


Fig. 6.

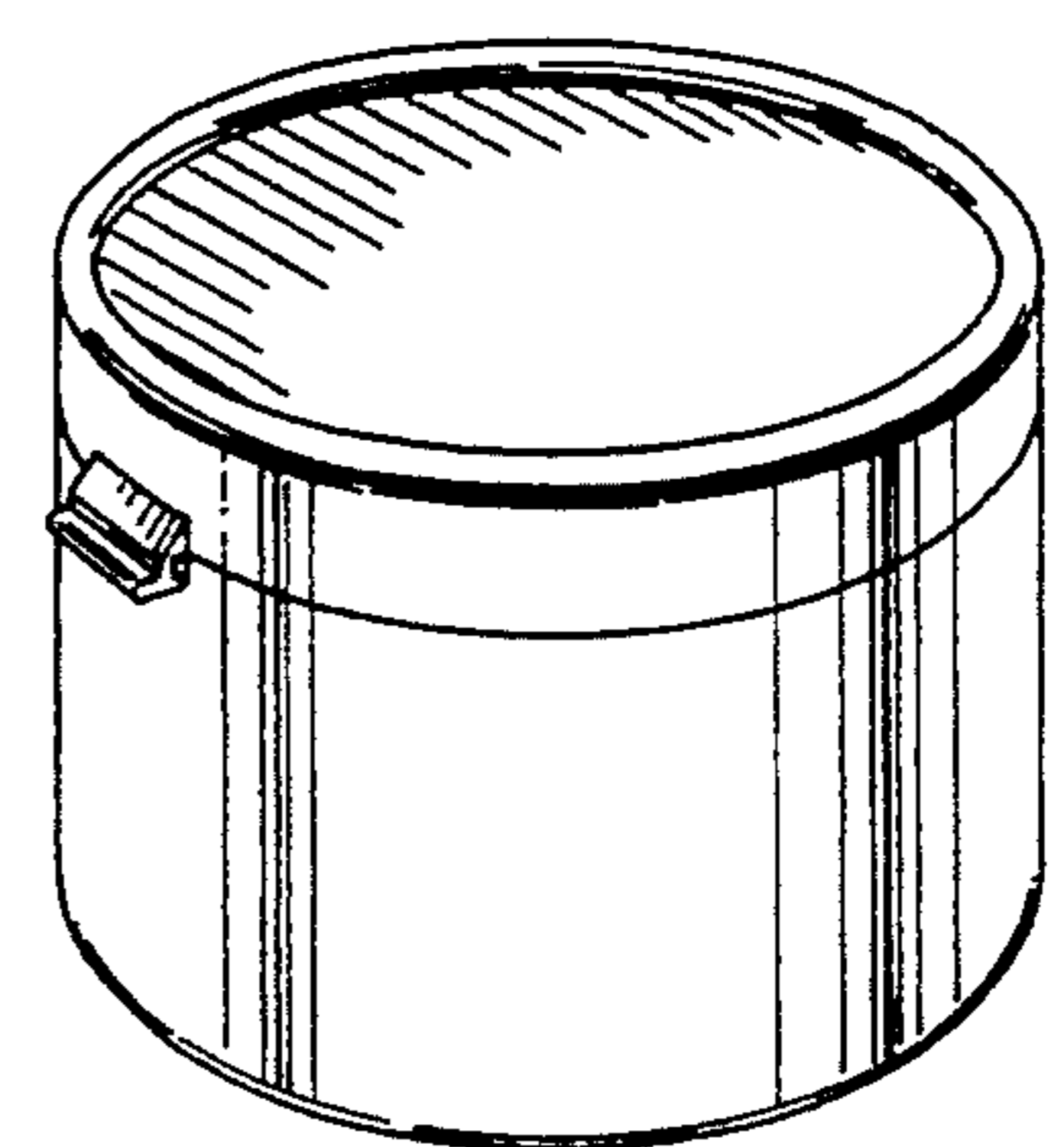


Fig. 7.