



US00D351783S

United States Patent [19]

[11] Patent Number: **Des. 351,783**

Shade

[45] Date of Patent: **** Oct. 25, 1994**

[54] **BARREL BUNG REINFORCEMENT**

[76] Inventor: **Henry E. Shade**, Shannon Lake Rd.
P.O. Box 2, Dillingham, Ak. 99576

[**] Term: **14 Years**

[21] Appl. No.: **4,647**

[22] Filed: **Feb. 10, 1993**

[52] U.S. Cl. **D8/354**

[58] Field of Search 217/98, 99, 101, 106,
217/111; 417/360; D9/325; D8/354;
D15/7-9.2; D34/39

2,096,686 10/1937 Raible 217/111

4,867,653 9/1989 Mills 417/360

4,869,654 9/1989 Klaus 417/360

4,872,816 10/1989 Fetcko 417/360

5,184,941 2/1993 King et al. 417/360

Primary Examiner—Ralf T. Seifert
Attorney, Agent, or Firm—Terry M. Gernstein

[57] **CLAIM**

The ornamental design for a barrel bung reinforcement, as shown and described.

DESCRIPTION

FIG. 1 is a front, top and side perspective view of the barrel bung reinforcement showing my new design.

FIG. 2 is a front elevational view thereof;

FIG. 3 is a rear elevational view thereof;

FIG. 4 is an end elevational view thereof; the opposite side view being a mirror image;

FIG. 5 is a top plan view thereof; and,

FIG. 6 is a bottom plan view thereof.

[56] **References Cited**

U.S. PATENT DOCUMENTS

D. 215,408 9/1969 Drugmand D8/354

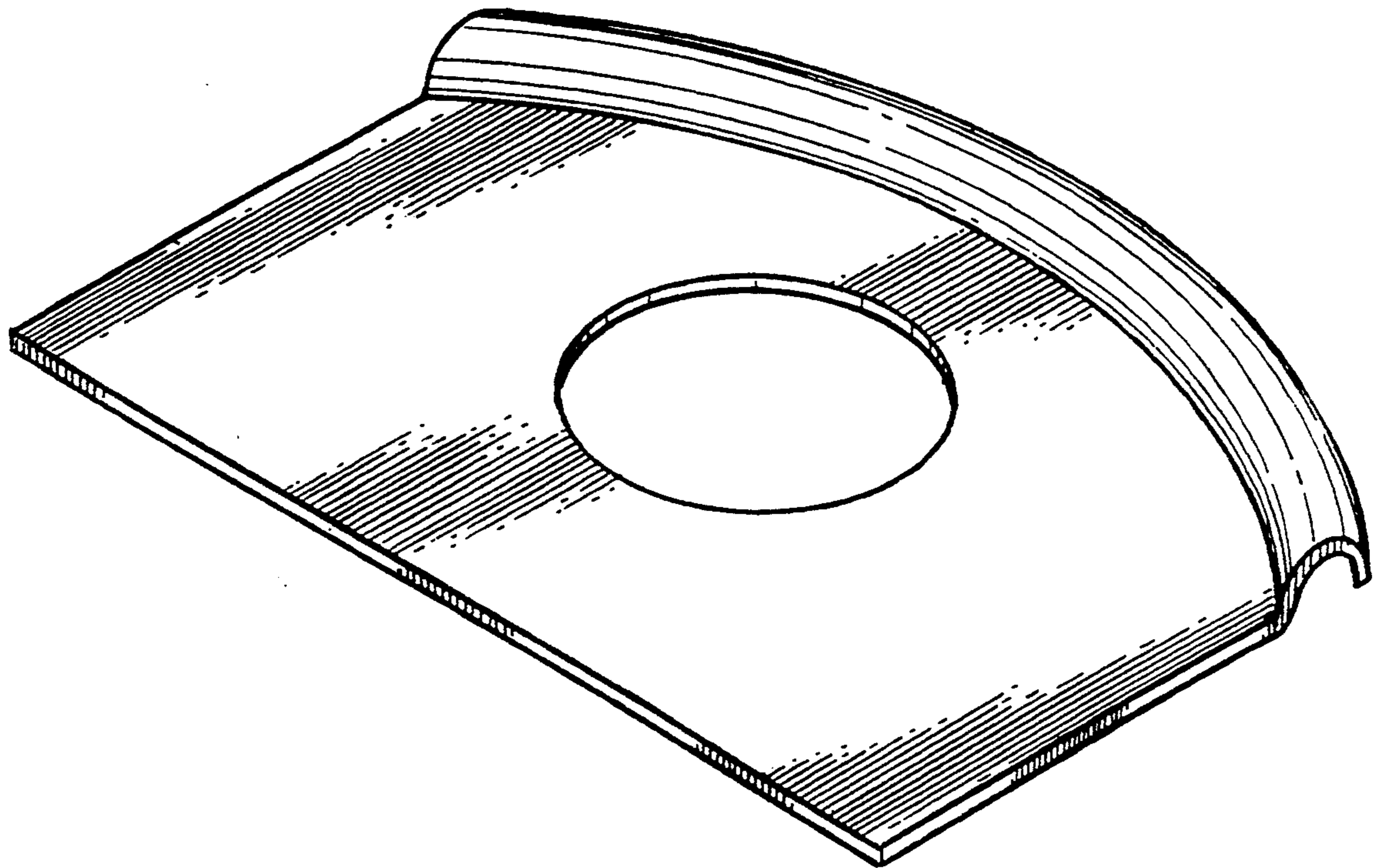
D. 219,768 1/1971 Conwill D8/354

D. 295,108 4/1988 Preytulla D34/39

D. 330,504 10/1992 Collins D8/354

D. 337,511 7/1993 Donaldson D8/354

405,425 6/1889 Lourim 217/918



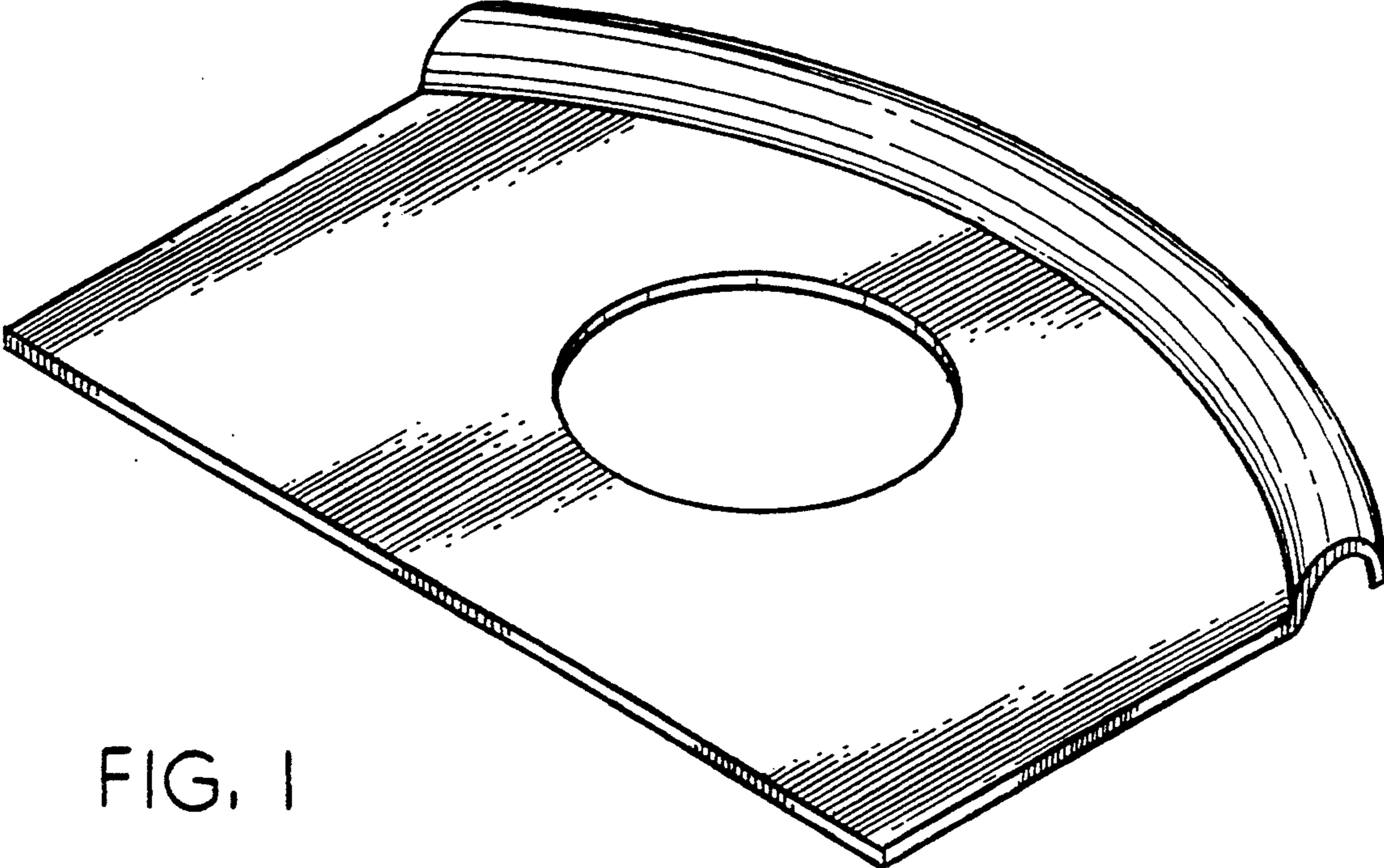


FIG. 1

FIG. 2

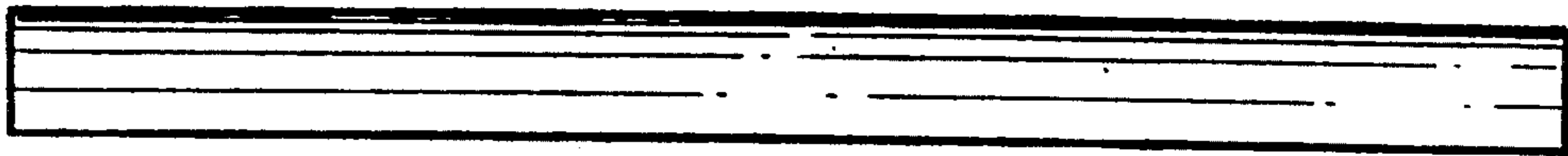
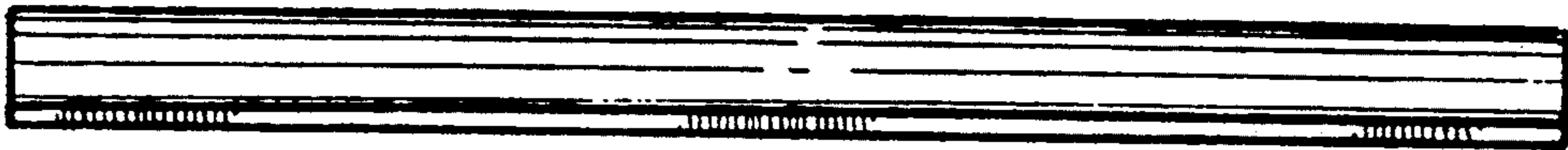


FIG. 3



FIG. 4

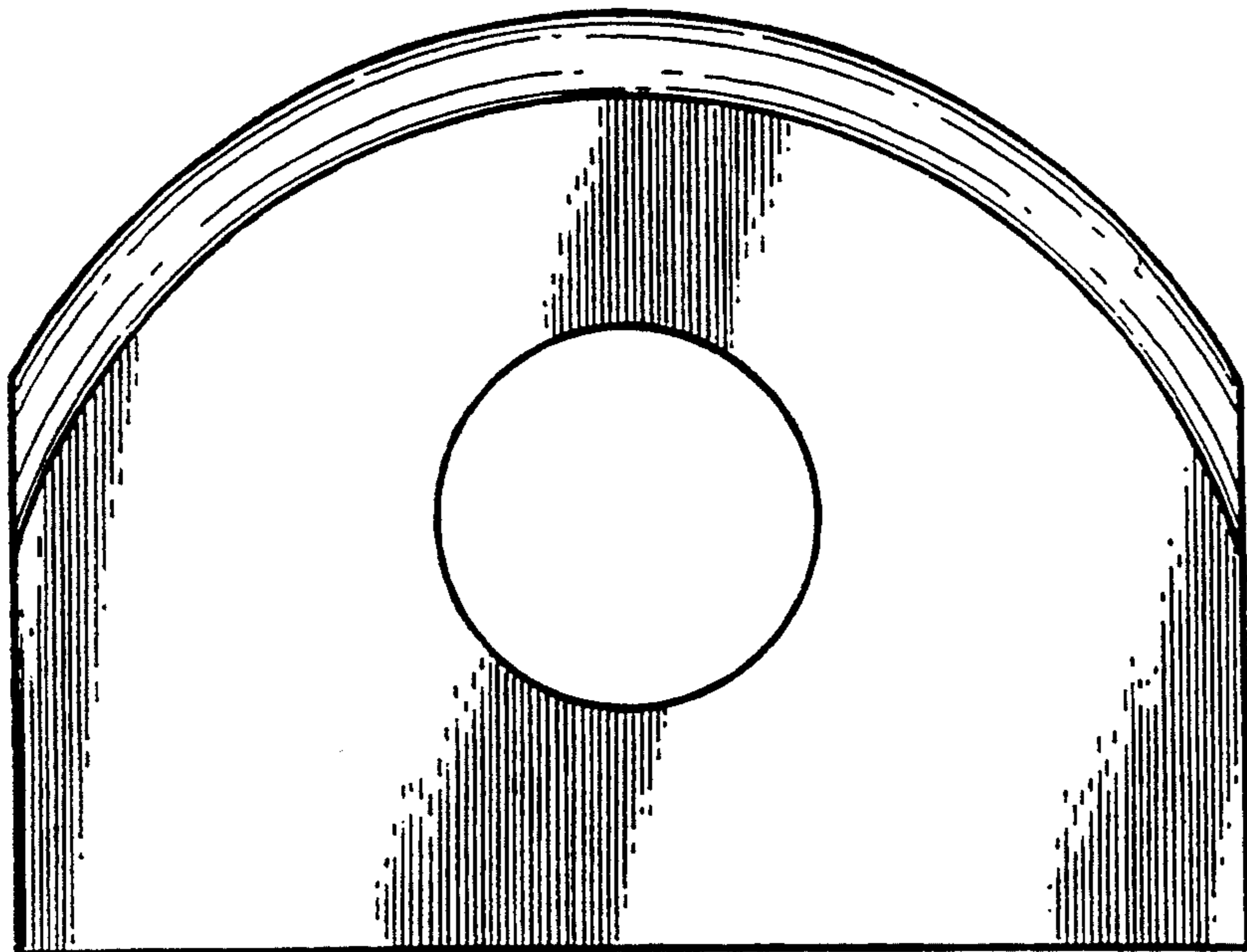


FIG. 5

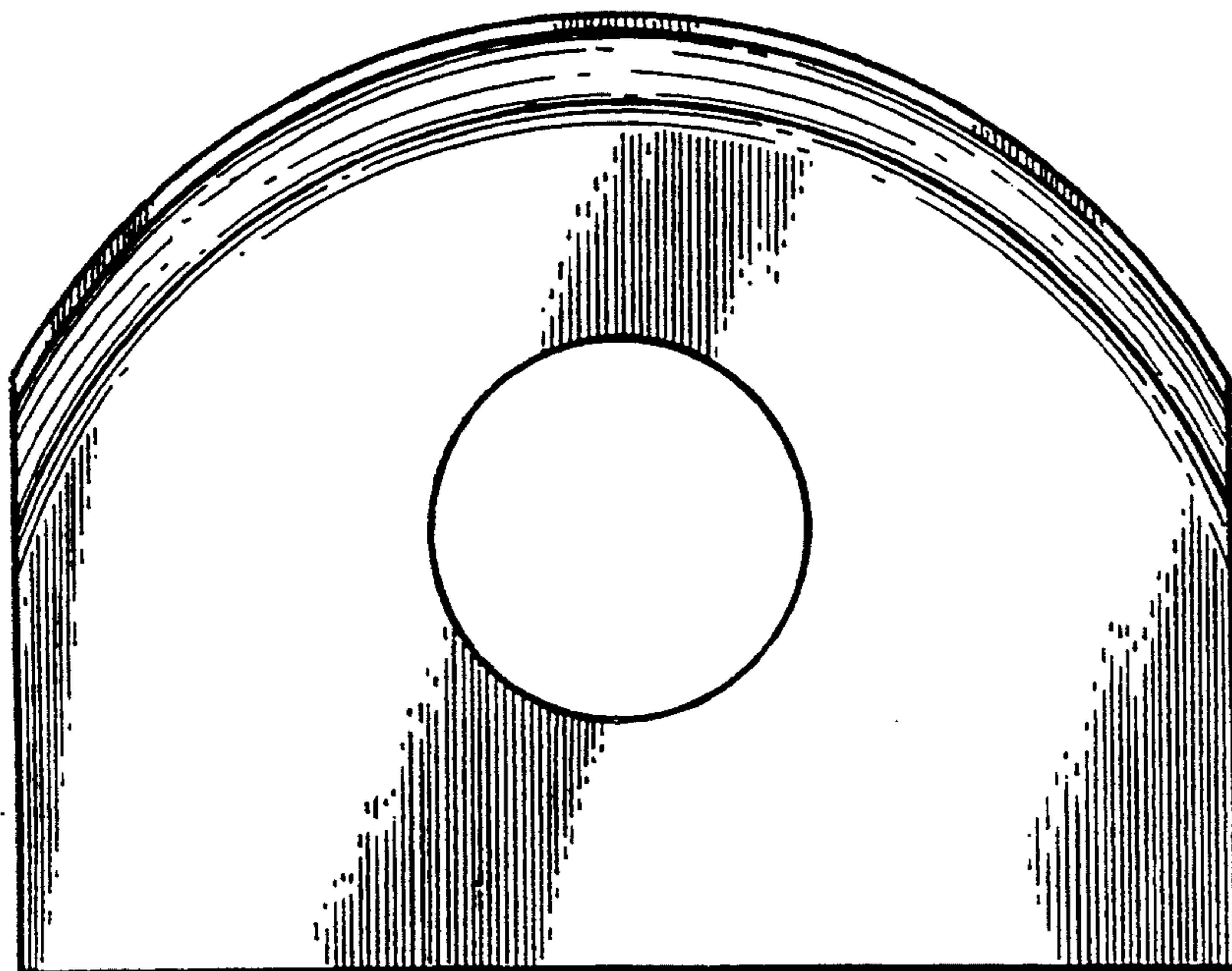


FIG. 6