



US00D351780S

United States Patent [19]

[11] Patent Number: Des. 351,780

Baber

[45] Date of Patent: ** Oct. 25, 1994

[54] WINDOW BOLT LOCK BODY

[56] References Cited

[75] Inventor: Murray J. Baber, Auckland, New Zealand

U.S. PATENT DOCUMENTS

[73] Assignee: MJ Baber & Company Limited, Palmerston North, New Zealand

D. 293,878	1/1988	Kayser	D8/339
D. 303,079	8/1989	Parthenis	D8/331
D. 319,776	9/1991	Barrett et al.	D8/340
D. 344,009	2/1994	Fontenot	D8/331
3,695,657	10/1972	Rosen	292/DIG. 53 X
4,639,022	1/1987	Dunphy et al.	292/DIG. 46 X

[**] Term: 14 Years

Primary Examiner—Brian N. Vinson
Attorney, Agent, or Firm—Blakely, Sokoloff, Taylor & Zafman

[21] Appl. No.: 15,432

[57] CLAIM

[22] Filed: Nov. 16, 1993

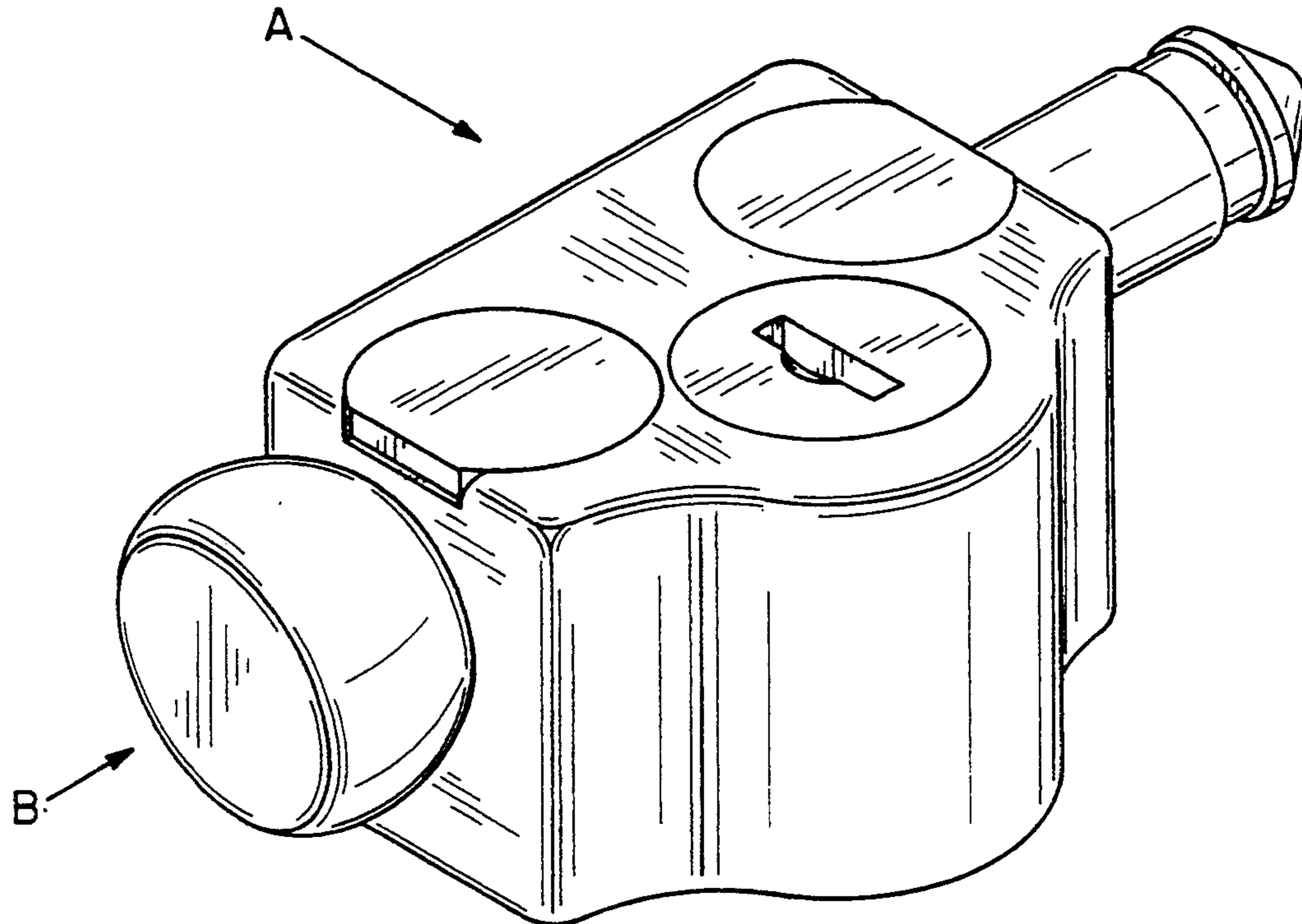
The ornamental design for a window bolt lock body, as shown and described.

[30] Foreign Application Priority Data

DESCRIPTION

May 19, 1993 [NZ] New Zealand 25211
 [52] U.S. Cl. D8/339
 [58] Field of Search D8/330-331,
 D8/339-342; 292/1-2, 137, 162, 169.18,
 169.14, DIG. 46, DIG. 53, DIG. 55; 70/89-91,
 95-97, 99-100, 124, 127, 129, 134, 404, 405

FIG. 1 is a top, front, and right side perspective view of a window bolt lock body showing my new design;
 FIG. 2 is a top plan view thereof;
 FIG. 3 is a left side elevational view thereof;
 FIG. 4 is a front elevational view thereof, the rear being a mirror image of that shown; and,
 FIG. 5 is a bottom plan view thereof.



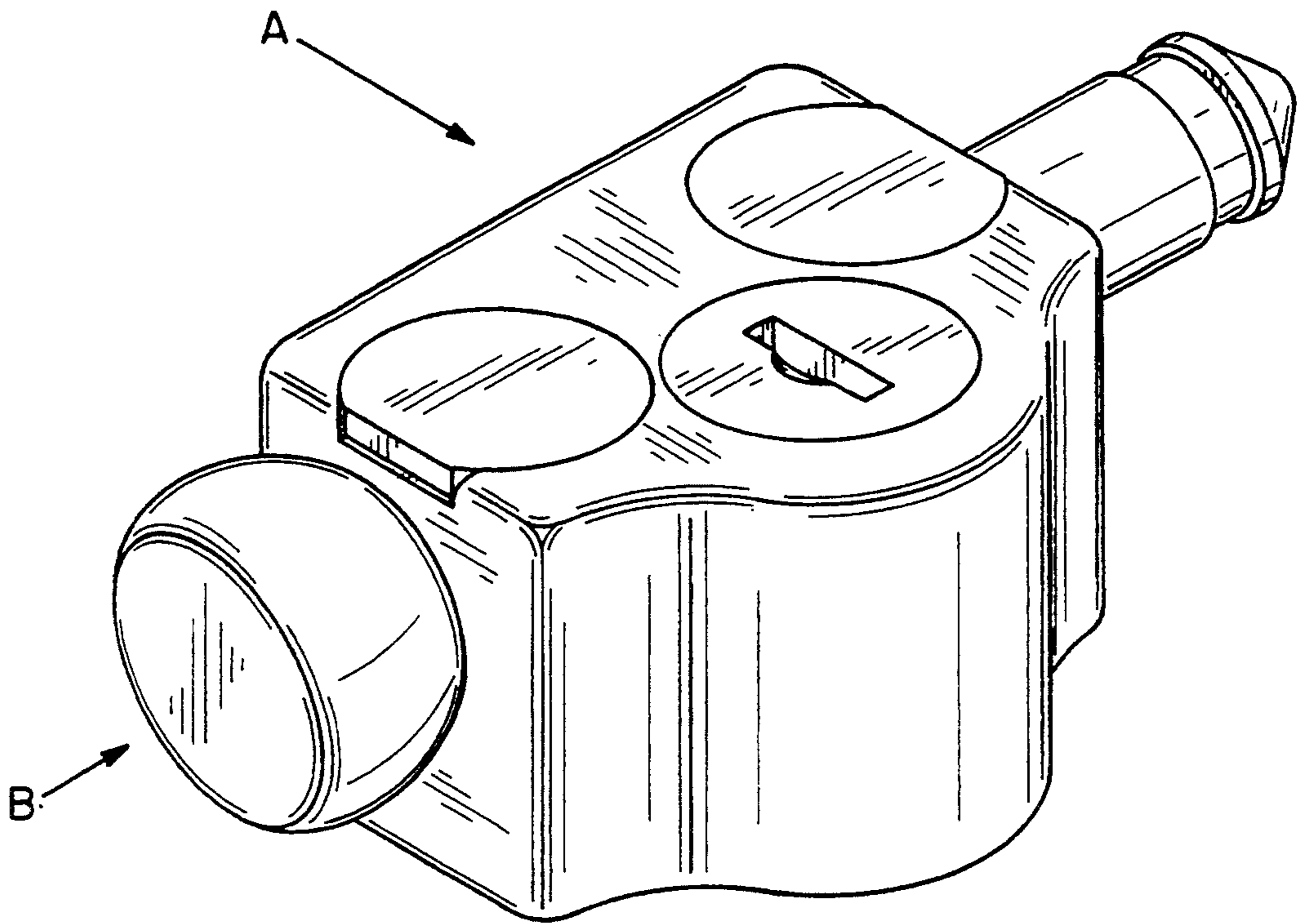


FIG. 1

FIG. 2

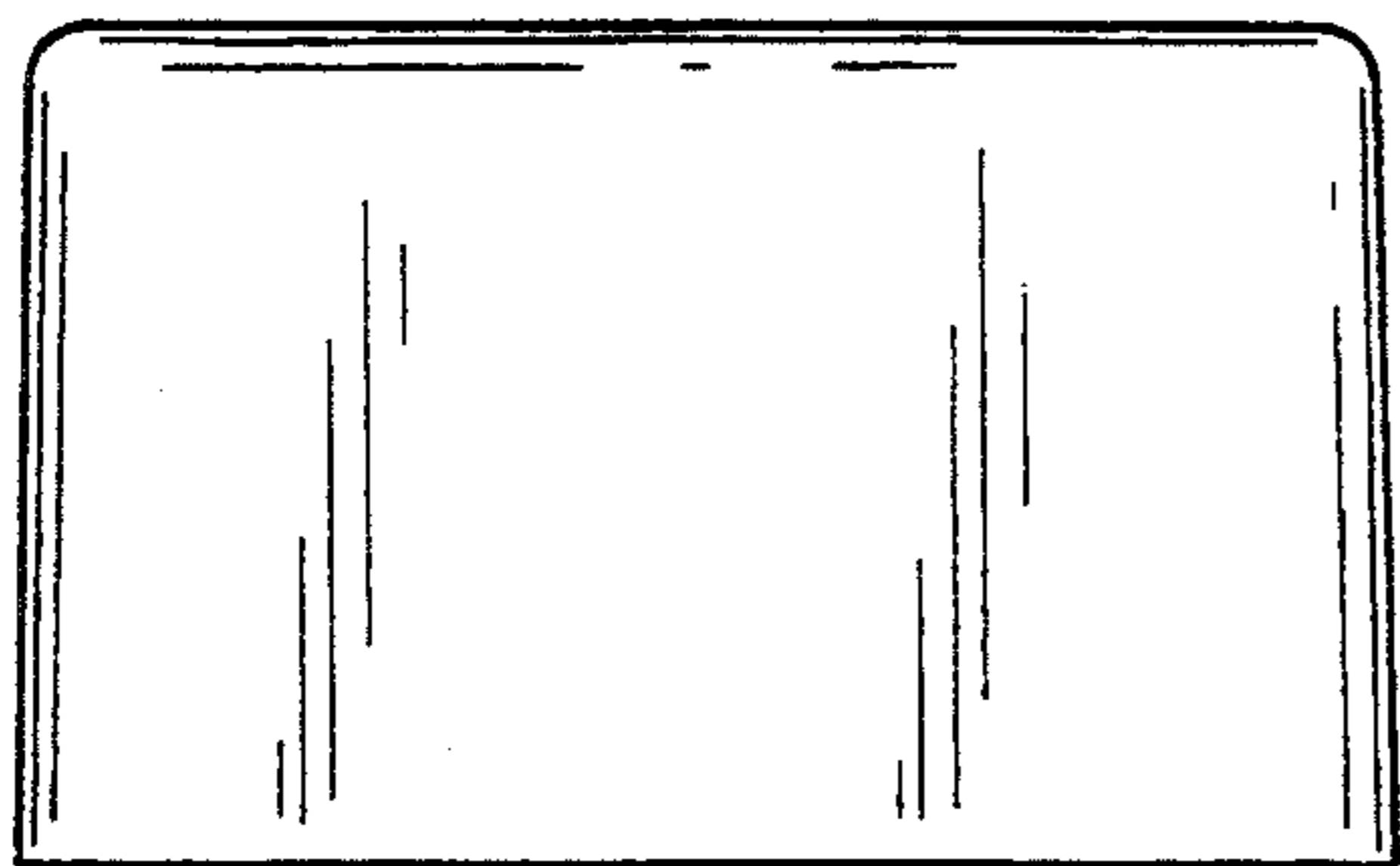
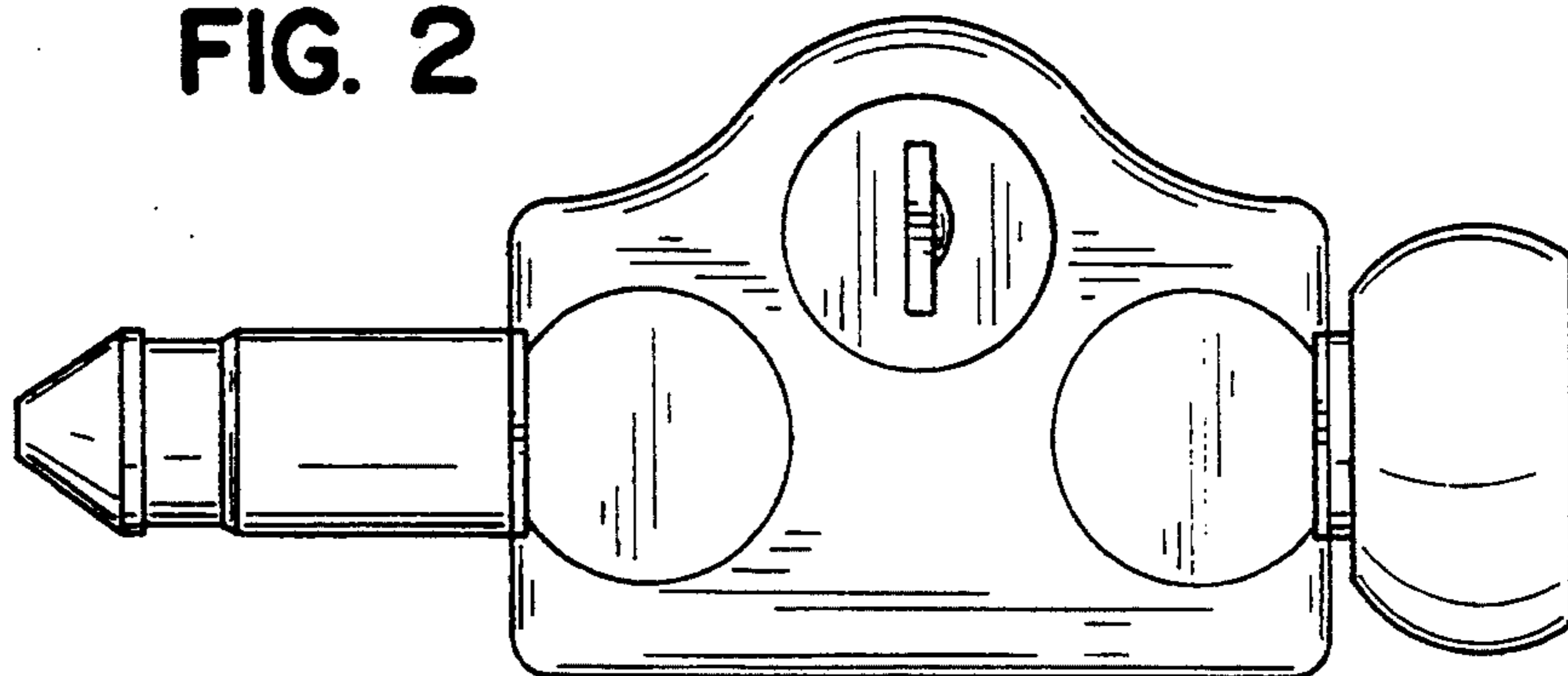


FIG. 3

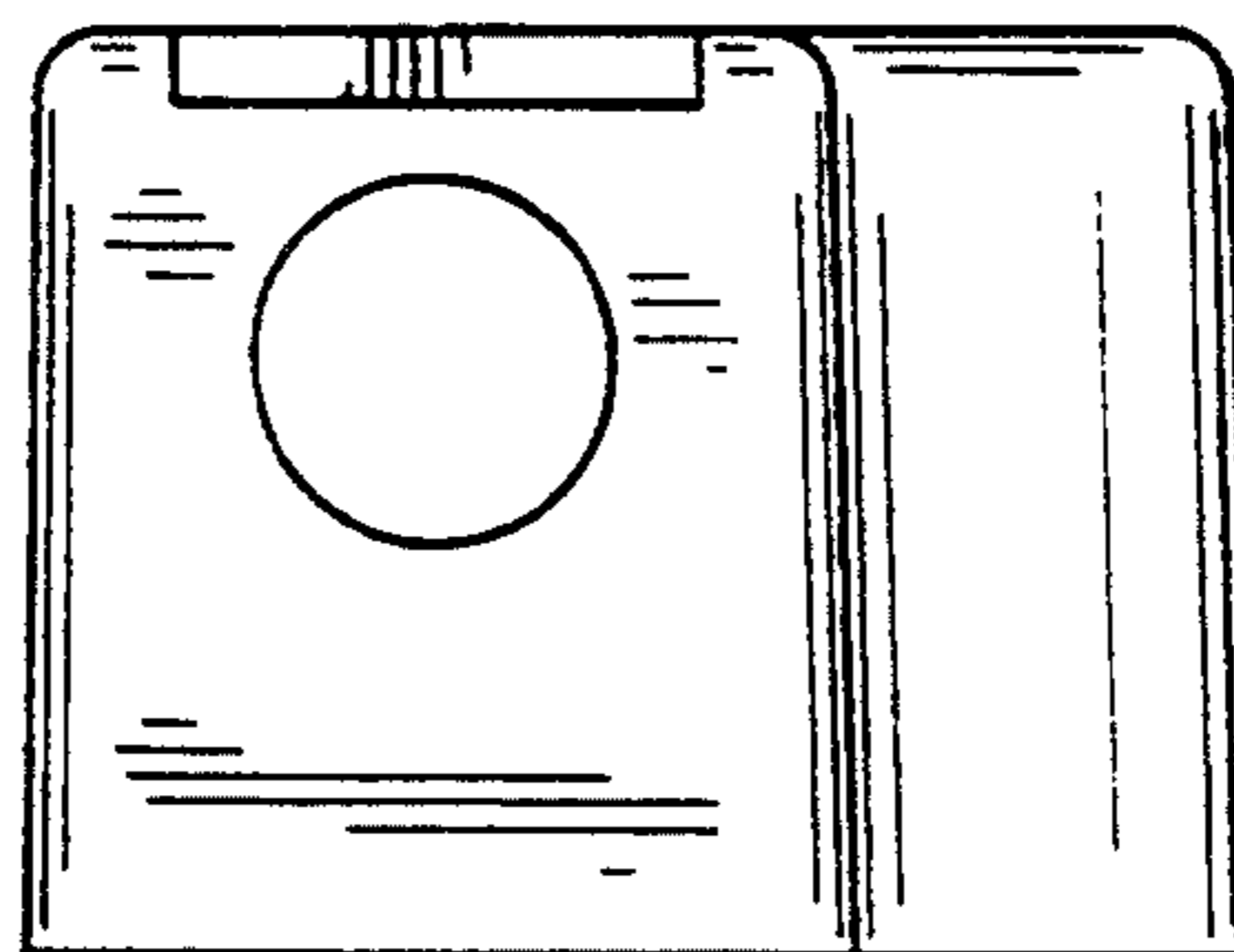


FIG. 4

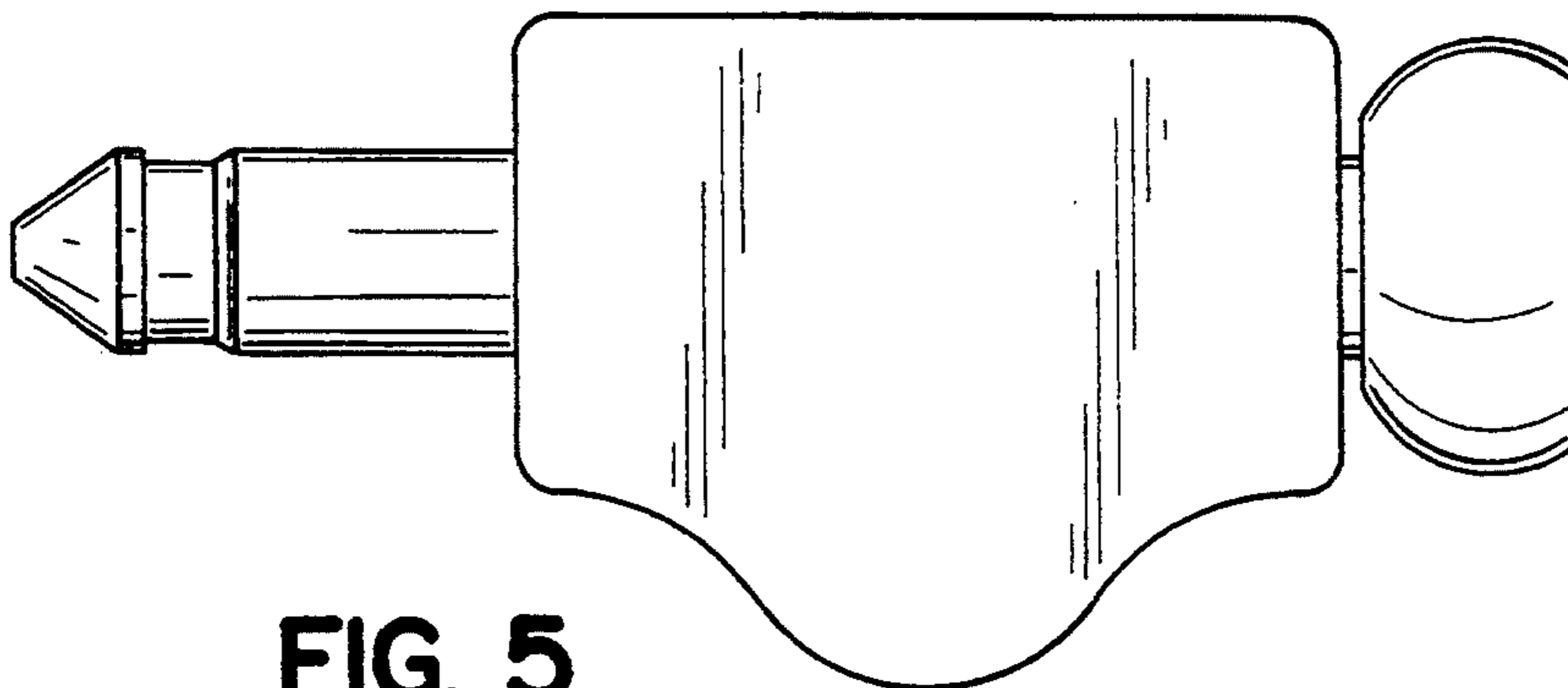


FIG. 5