



US00D351775S

United States Patent [19]

[11] Patent Number: **Des. 351,775**

Wedler

[45] Date of Patent: **** Oct. 25, 1994**

[54] **PRECISION ADJUSTABLE ROUTER FENCE**

[76] Inventor: **Richard L. Wedler**, 16,650 Pineridge Dr., Granada Hills, Calif. 91344

[**] Term: **14 Years**

[21] Appl. No.: **13,608**

[22] Filed: **Sep. 28, 1993**

[52] U.S. Cl. **D8/71; D8/70**

[58] Field of Search **D8/70, 71; 144/1 E, 144/1 F, 134 D, 136 C, 137, 371; 83/522.15, 522.24, 574; 33/501, 613, 628, 813; D10/64; D15/140**

5,080,152	1/1992	Collins et al.	144/136 C
5,094,279	3/1992	Dickey et al.	144/144 R
5,299,609	4/1994	Wedler	144/134 D

Primary Examiner—Alan P. Douglas
Assistant Examiner—Jeffrey H. Musgrove
Attorney, Agent, or Firm—J. E. McTaggart

[57] CLAIM

The ornamental design for a precision adjustable router fence, as shown.

DESCRIPTION

FIG. 1 is a top, front and right isometric view of a precision adjustable router fence showing my new design;

FIG. 2 is a top plan view;

FIG. 3 is a right side elevational view, that is also a mirror image of a left side elevational view;

FIG. 4 is a bottom plan view;

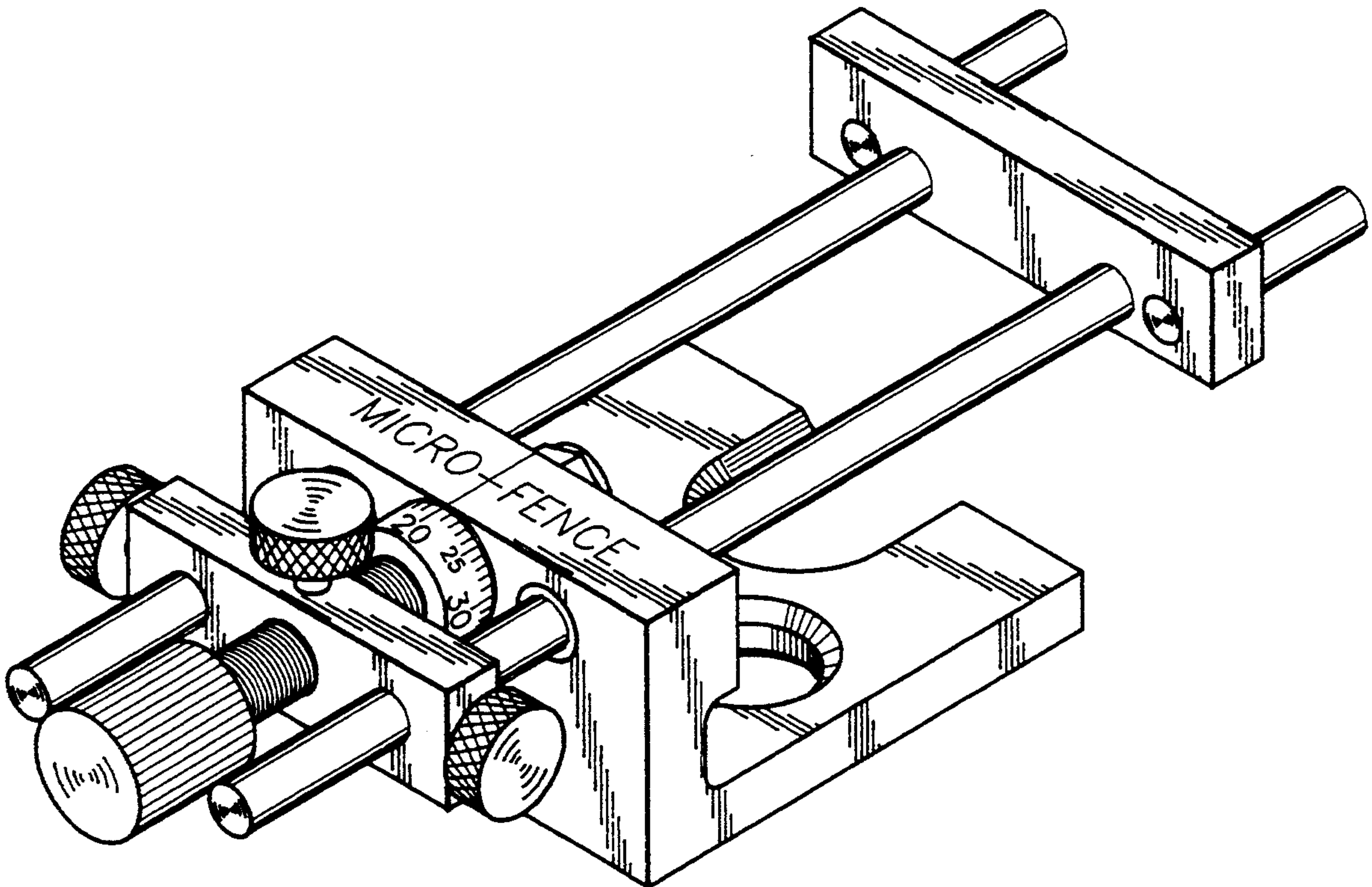
FIG. 5 is a front elevational view; and,

FIG. 6 is a rear elevational view thereof.

[56] References Cited

U.S. PATENT DOCUMENTS

4,319,615	3/1982	Ditmanson	144/144 R
4,742,853	5/1988	Davison	144/144 R
4,871,002	10/1989	Turner	144/137
4,911,214	3/1990	Scott	144/137
5,052,454	10/1991	Meinhardt	144/137



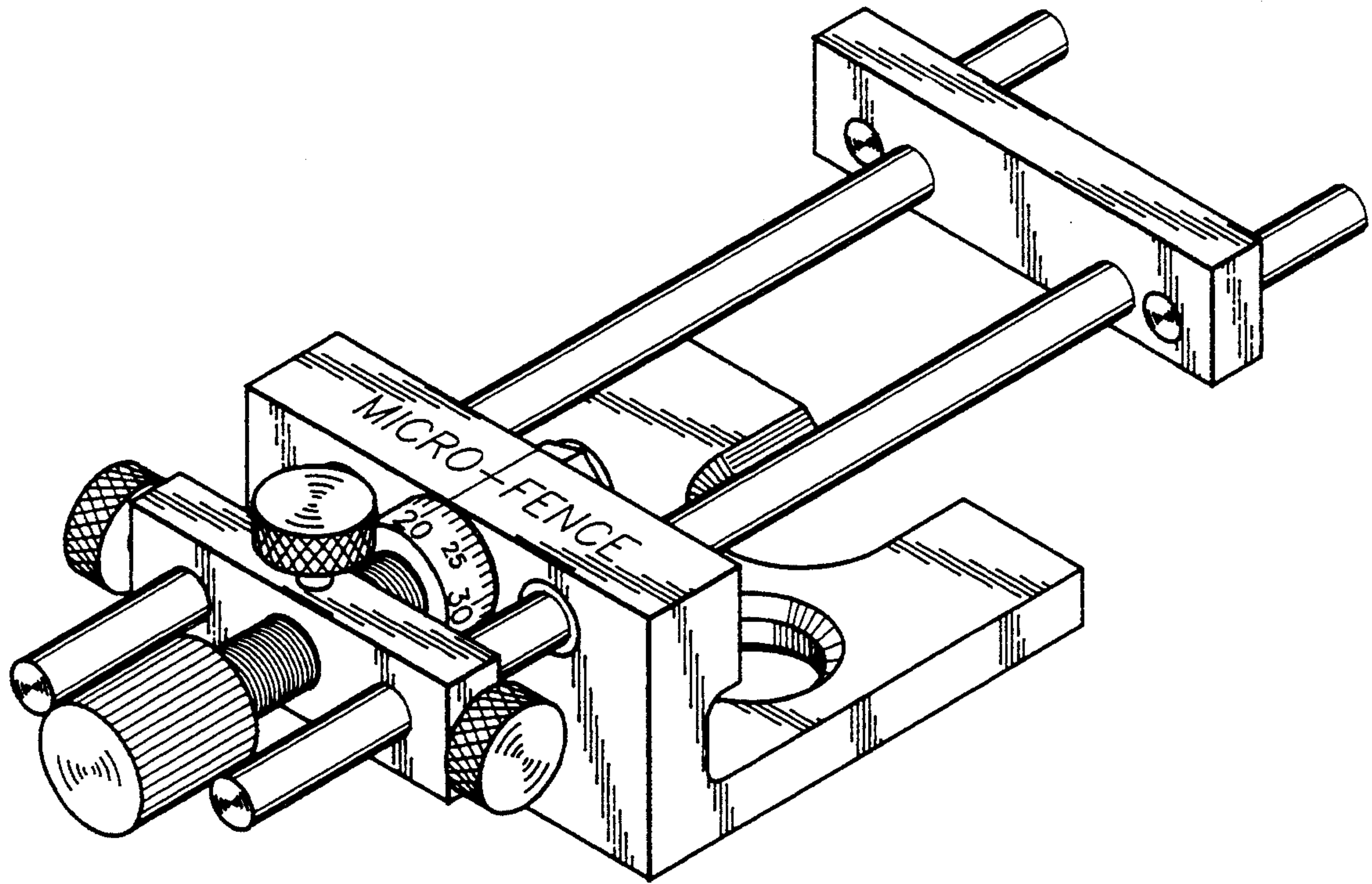


FIG. 1

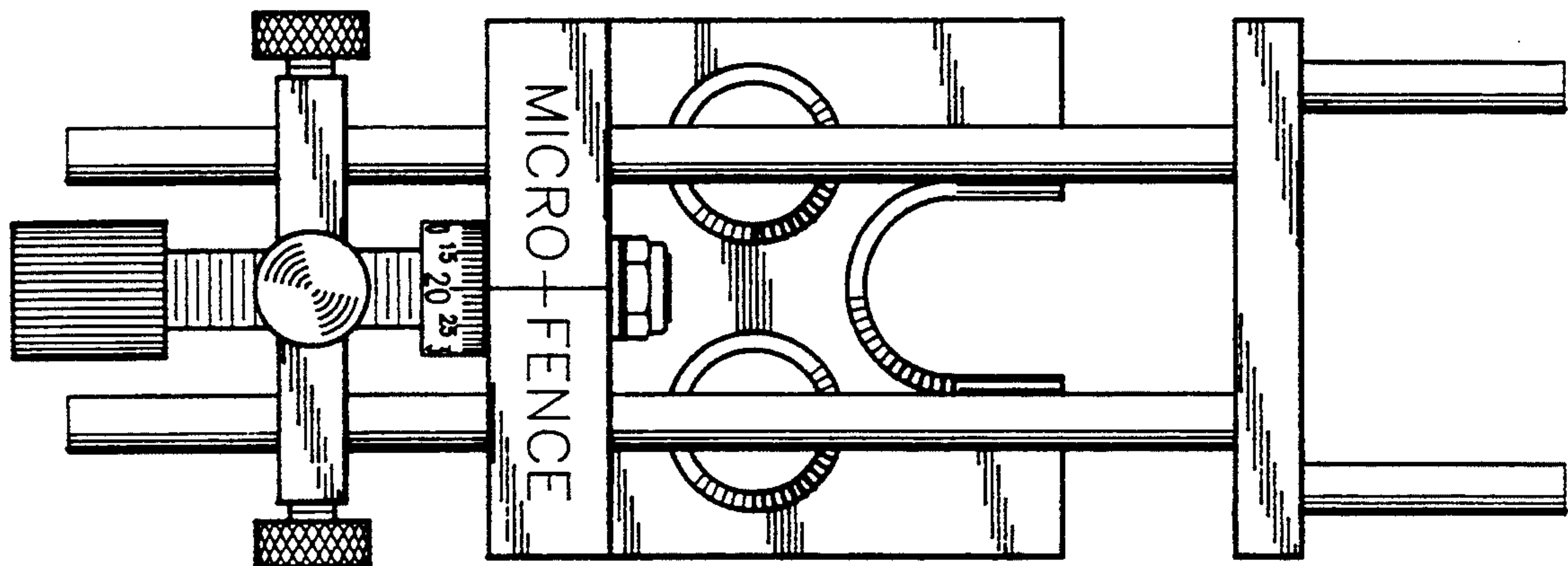


FIG. 2

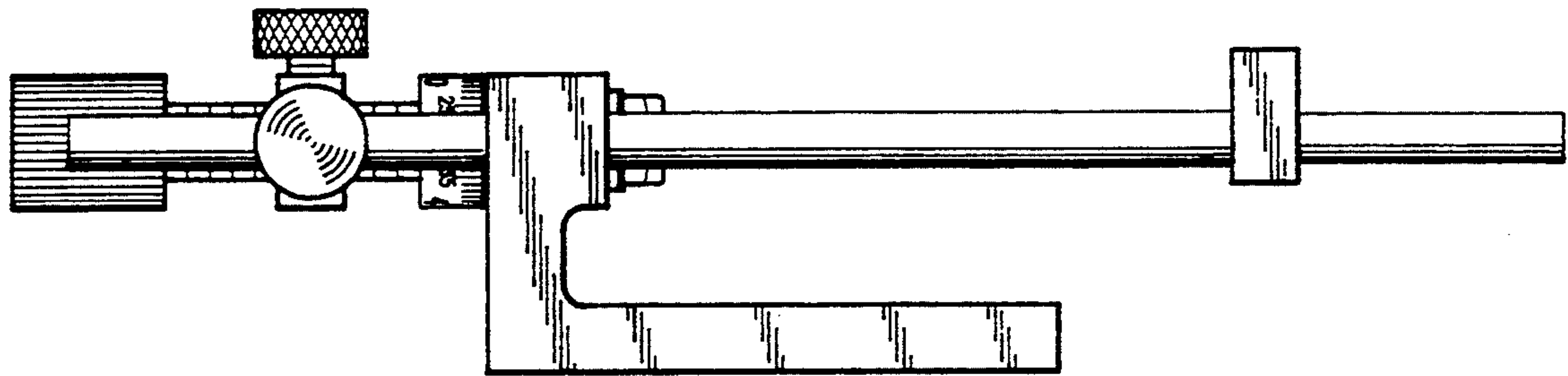


FIG. 3

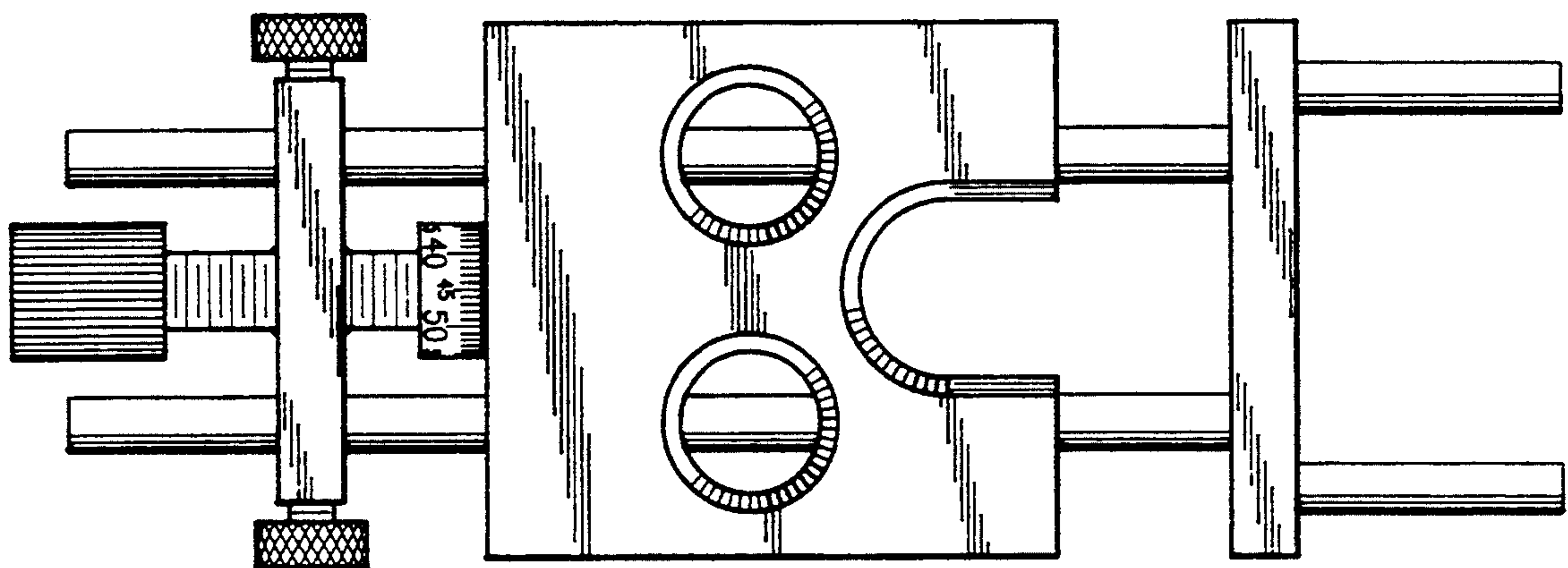


FIG. 4

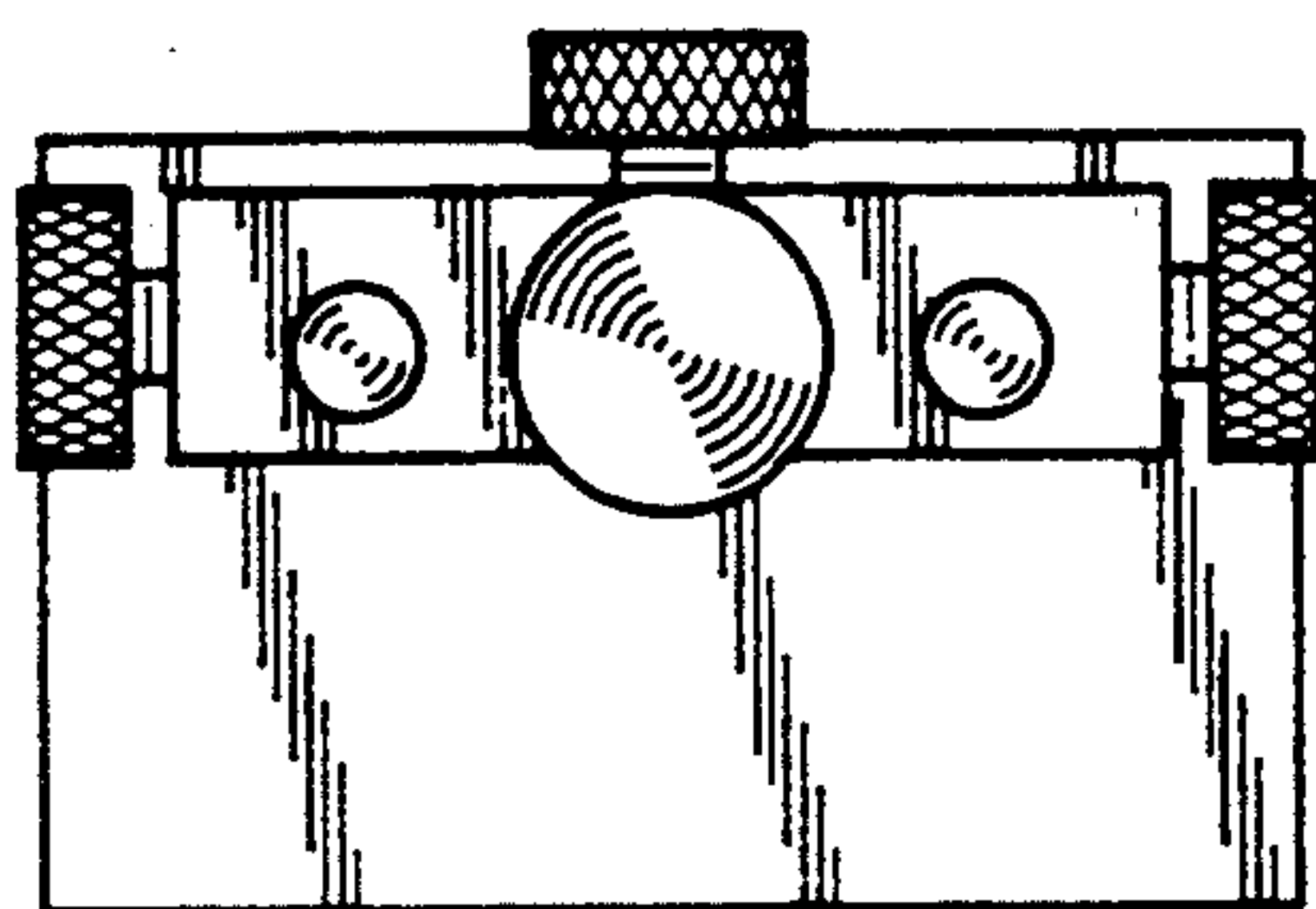


FIG. 5

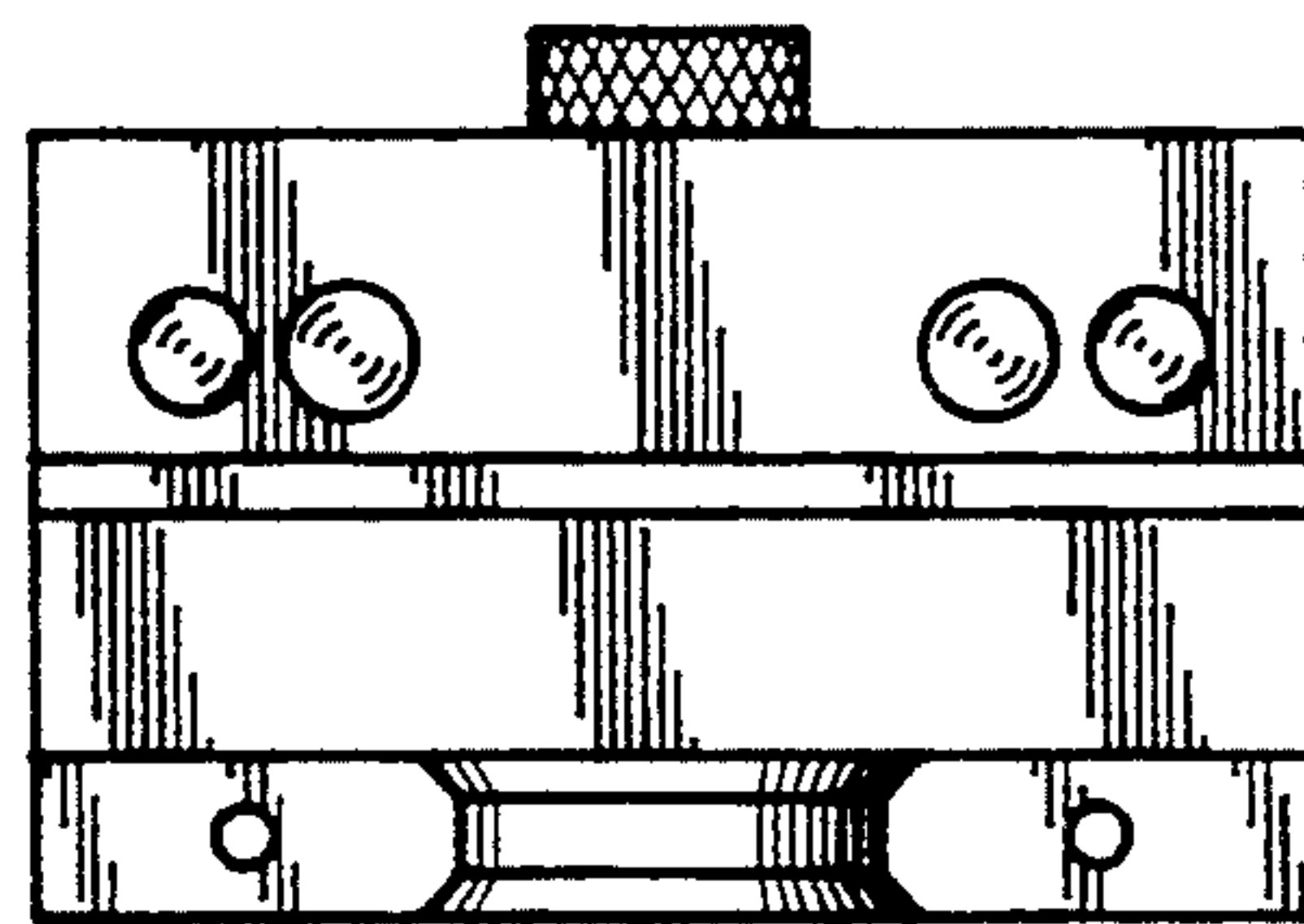


FIG. 6