



US00D351774S

United States Patent [19]

[11] Patent Number: **Des. 351,774**

Witt

[45] Date of Patent: **** Oct. 25, 1994**

[54] **TILTING ROUTER FRAME**

[76] Inventor: **Bradley R. Witt**, 5323 W. Kimberly Rd., Davenport, Iowa 52806

[**] Term: **14 Years**

[21] Appl. No.: **10,042**

[22] Filed: **Jun. 28, 1993**

[52] U.S. Cl. **D8/71**

[58] Field of Search **D8/71; 83/490, 483, 83/484, 485, 486, 487, 488, 489, 745, 471.3; 144/134 R, 134 D, 136 C, 371, 355; D15/140**

[56] **References Cited**

U.S. PATENT DOCUMENTS

4,434,824	3/1984	Bussey	409/178
4,492,498	1/1985	Kaufman	408/115 R
4,615,654	10/1986	Shaw	408/115 R
4,865,496	9/1989	Challis	408/115 R

4,880,042	11/1989	Schafferkotter	144/134 D
4,921,023	5/1990	Pempek	144/134 D
4,977,938	12/1990	Greeson	409/178
5,249,614	10/1993	Osborn	409/178

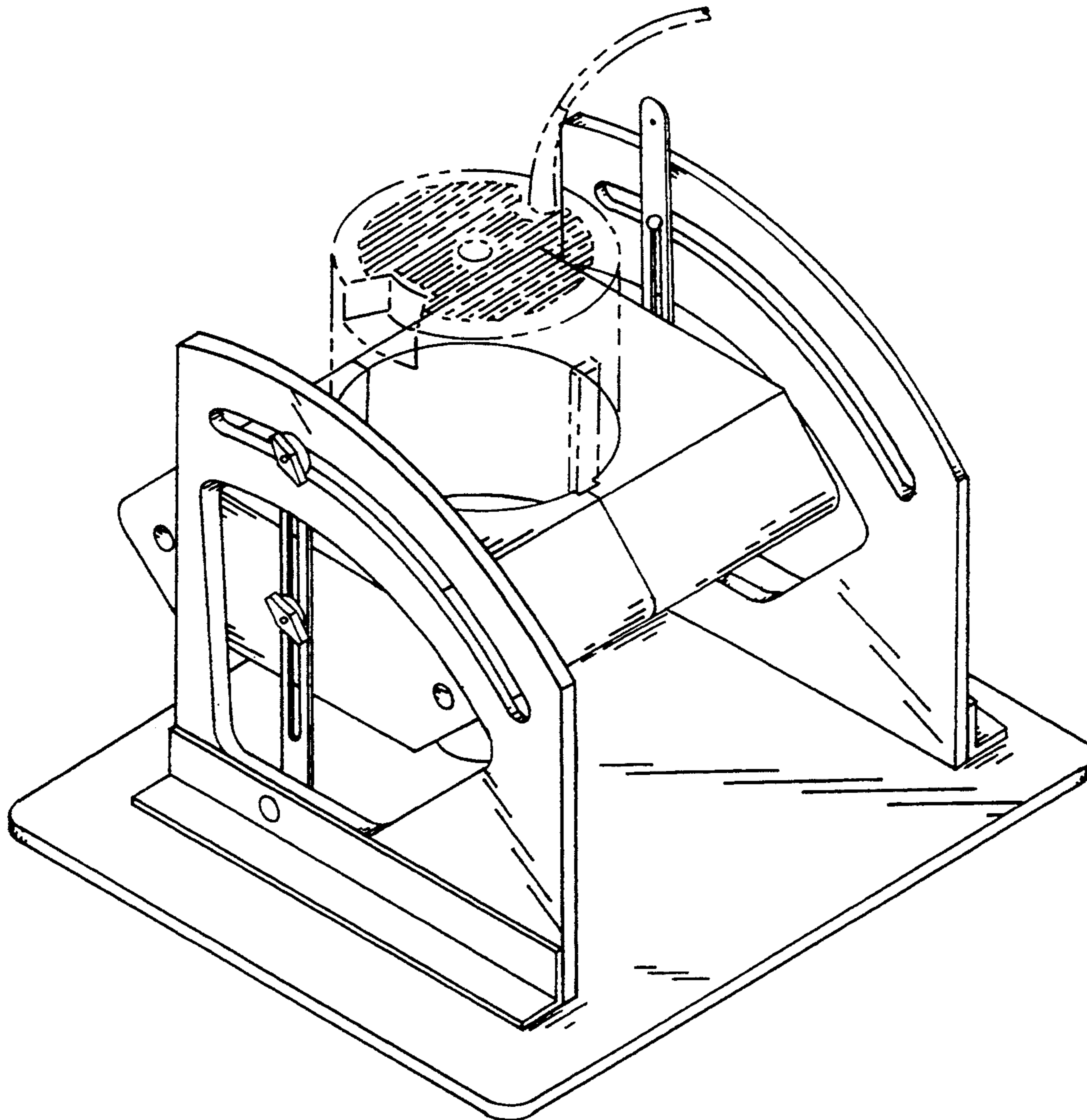
Primary Examiner—Alan P. Douglas
Assistant Examiner—J. H. Musgrove
Attorney, Agent, or Firm—Robert O. Richardson

[57] **CLAIM**

The ornamental design for a tilting router frame, as shown and described.

DESCRIPTION

FIG. 1 is a perspective view of the tilting router frame; FIG. 2 is an end view; FIG. 3 is a front view; FIG. 4 is a top view; and, FIG. 5 is a bottom view. The broken line showing of the router is for illustrative purposes only and forms no part of the claimed design.



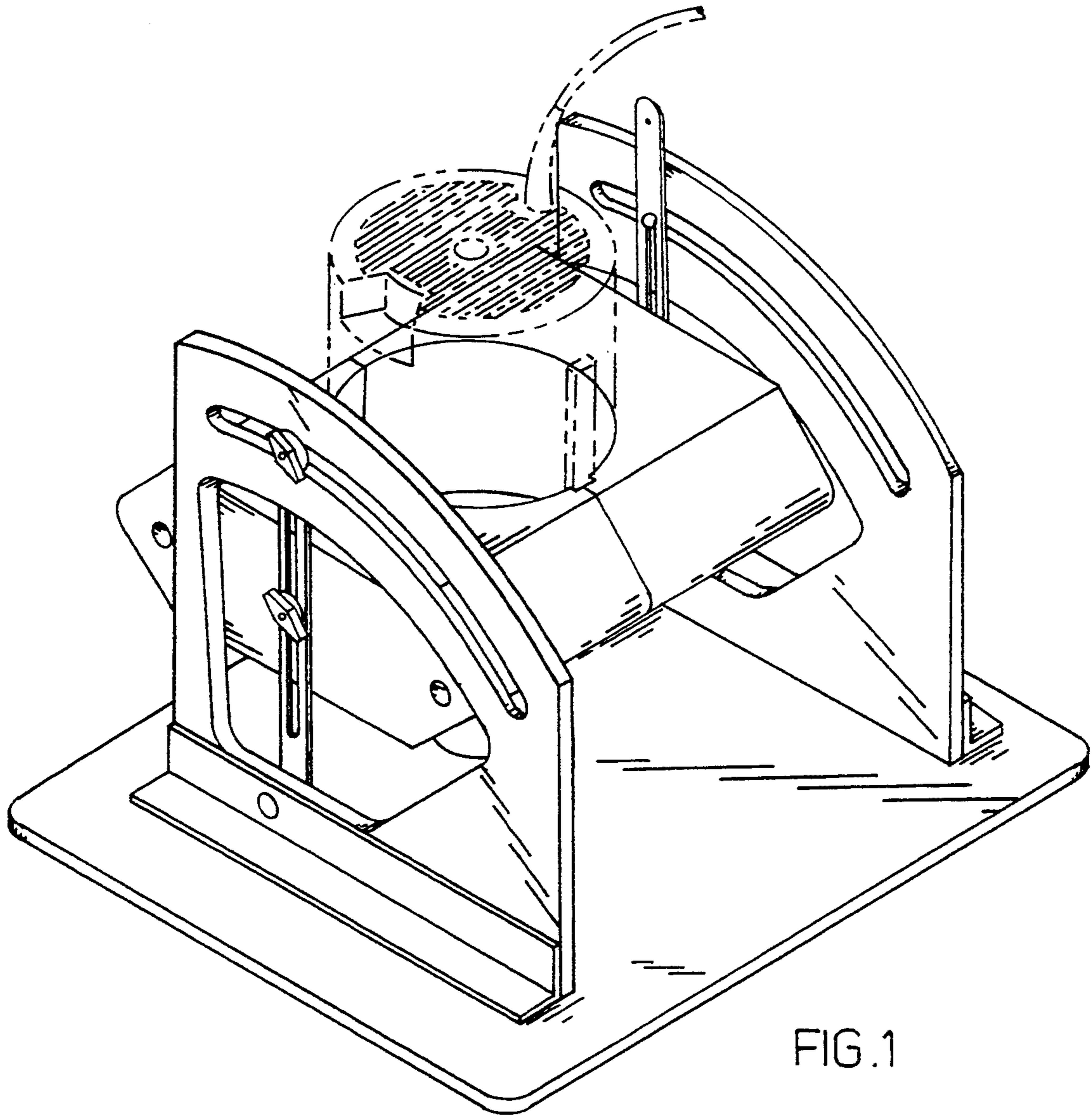


FIG. 1

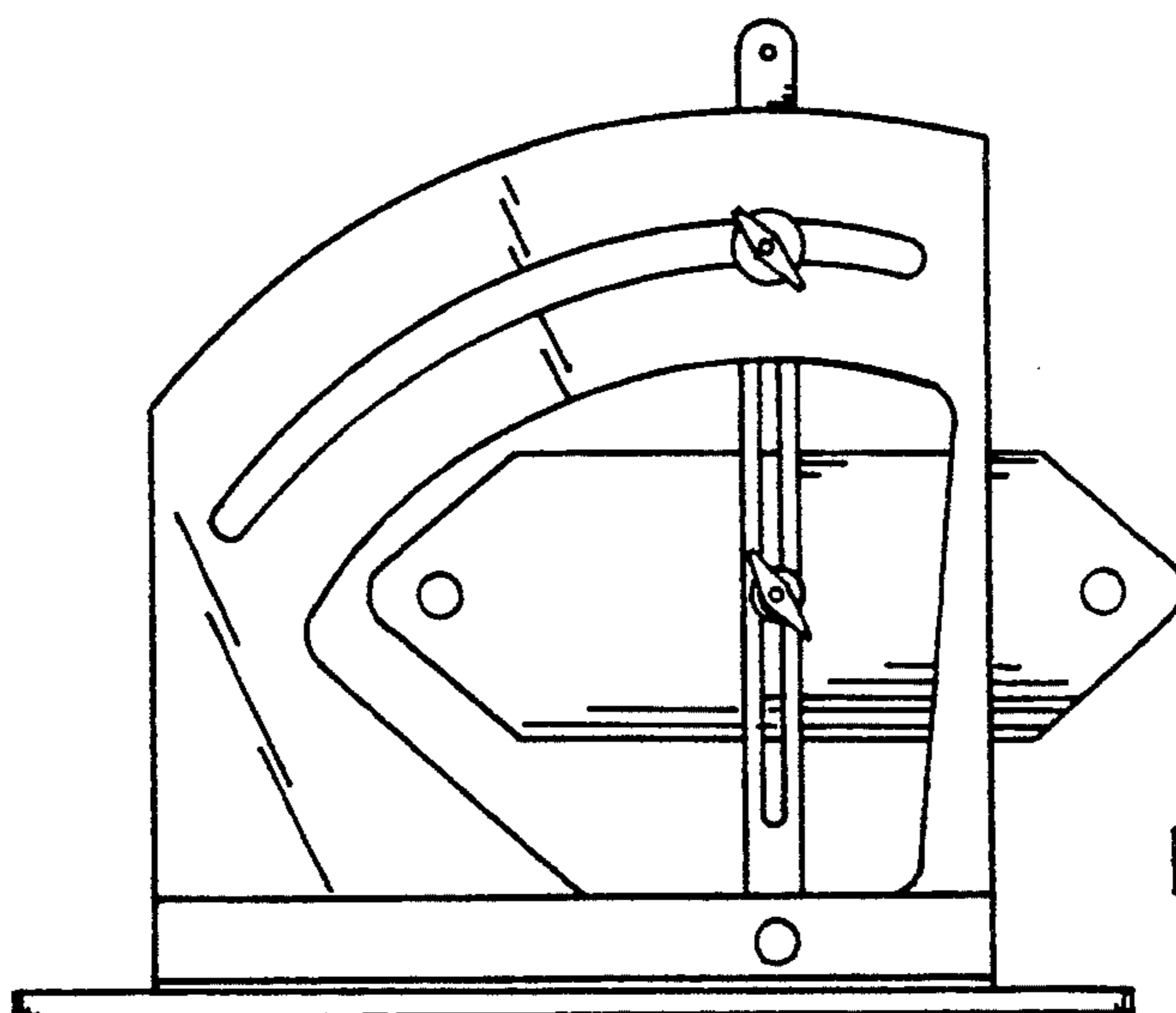


FIG. 2

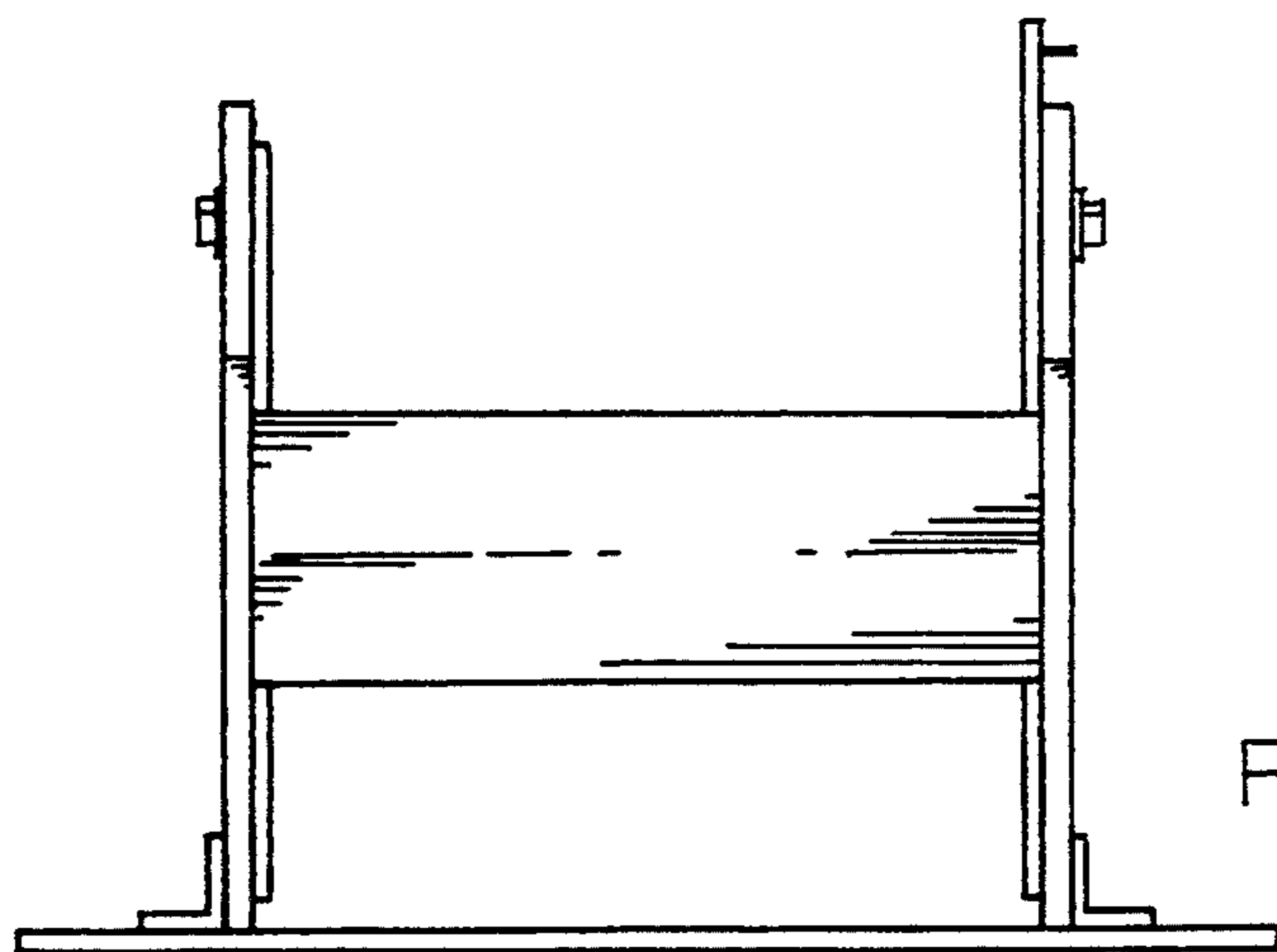


FIG. 3

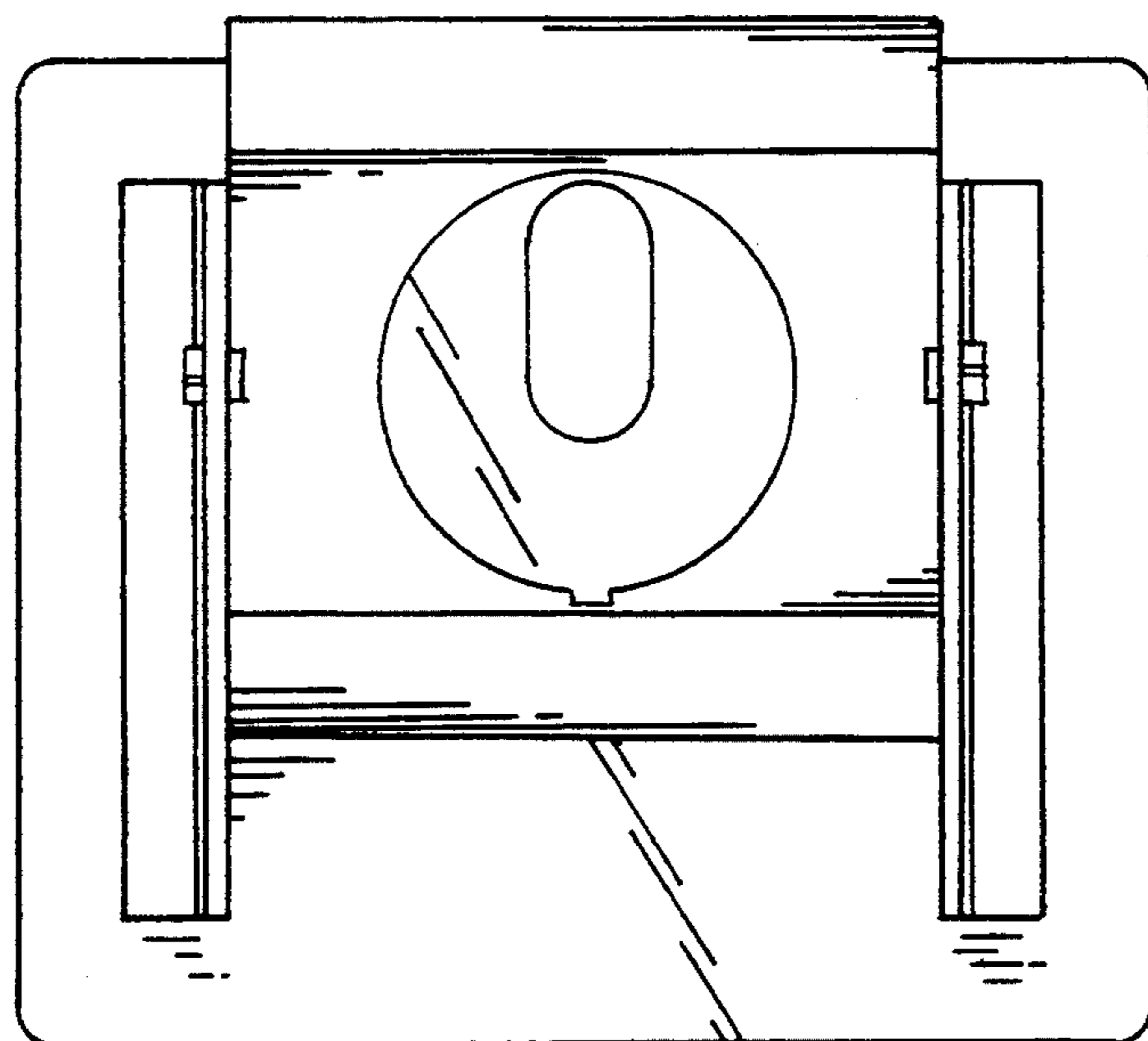


FIG. 4

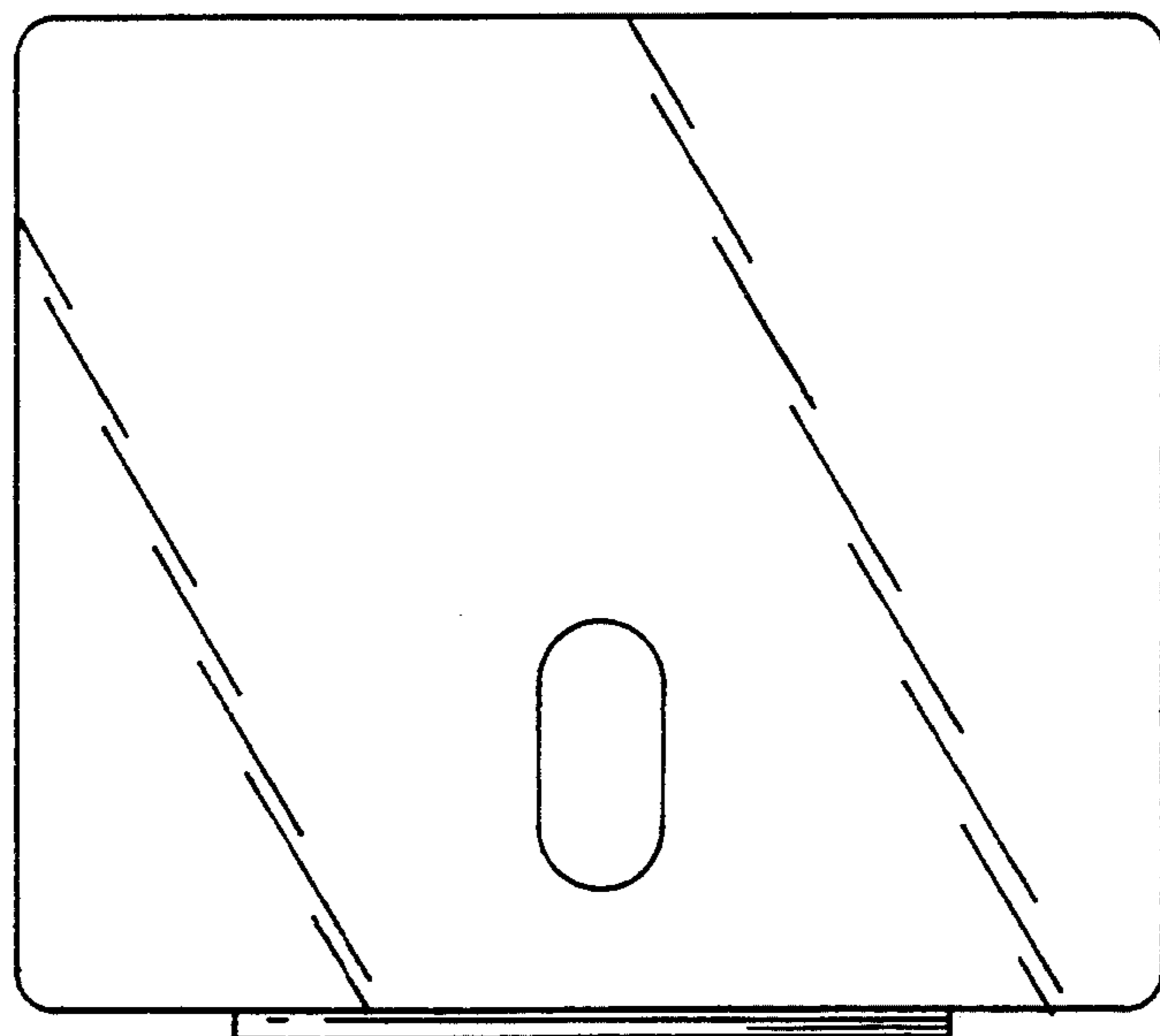


FIG. 5