



US00D351772S

United States Patent [19]

[11] Patent Number: **Des. 351,772**

Price

[45] Date of Patent: **** Oct. 25, 1994**

[54] **ANGLE GRINDER**

[75] Inventor: **Scott D. Price**, Pylesville, Md.

[73] Assignee: **Black & Decker Inc.**, Newark, Del.

[**] Term: **14 Years**

[21] Appl. No.: **15,036**

[22] Filed: **Nov. 1, 1993**

Related U.S. Application Data

[63] Continuation of Ser. No. 1,276, Nov. 6, 1992, abandoned.

[52] U.S. Cl. **D8/62**

[58] Field of Search **D8/61, 62; 51/170 T, 51/170 R, 170 TL, 170 EB, 170 MT**

[56] References Cited

U.S. PATENT DOCUMENTS

D. 295,824	5/1988	Hoshino et al.	D8/62
D. 301,830	6/1989	Ogawa et al.	D8/62
D. 328,841	8/1992	Fushiya et al.	D8/62
D. 332,559	1/1993	Miyoshi et al.	D8/62
D. 337,499	7/1993	Matsunaga et al.	D8/62

OTHER PUBLICATIONS

Makita Angle Grinder, Model 9514B, Photos 1 7, Ex. A. date before Nov. 6, 1992.

Bosch Angle Grinder, Model PW5 115, Photos 1 7, Ex. B date before Nov. 6, 1992.

Black & Decker Angle Grinder, Model 5580 Photos 1 7, Ex. C date before Nov. 6, 1992.

Primary Examiner—Alan P. Douglas

Assistant Examiner—Jeffrey H. Musgrove

Attorney, Agent, or Firm—Dennis A. Dearing; John D. Del Ponti; Charles E. Yocum

[57] CLAIM

The ornamental design for angle grinder, as shown.

DESCRIPTION

FIG. 1 is a front perspective view of an angle grinder in accordance with my invention;

FIG. 2 is a left side elevational view thereof;

FIG. 3 is a right side elevational view thereof;

FIG. 4 is a front elevational view thereof;

FIG. 5 is a rear elevational view thereof;

FIG. 6 is a top plan view thereof; and,

FIG. 7 is a bottom plan view thereof.

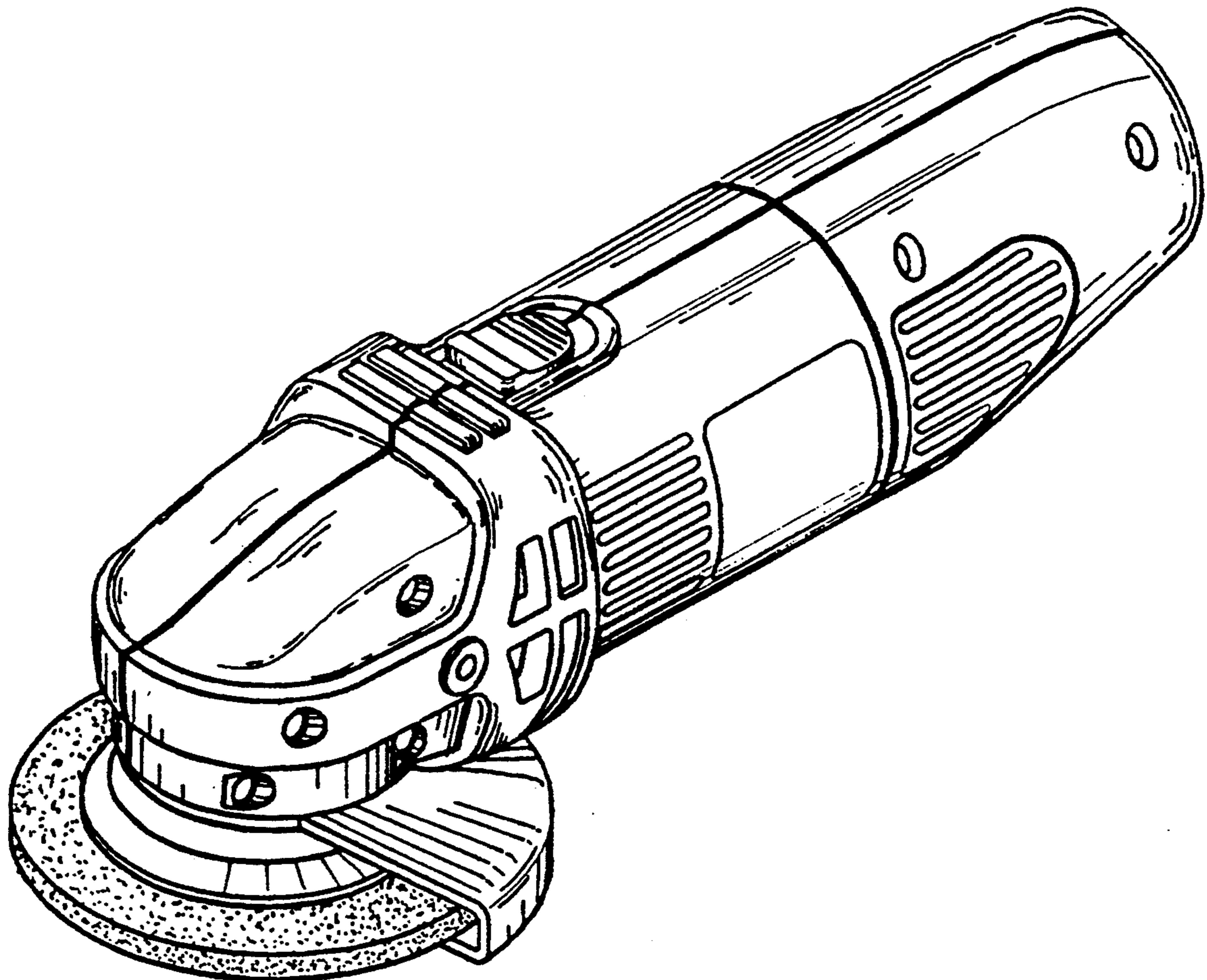


FIG. 1

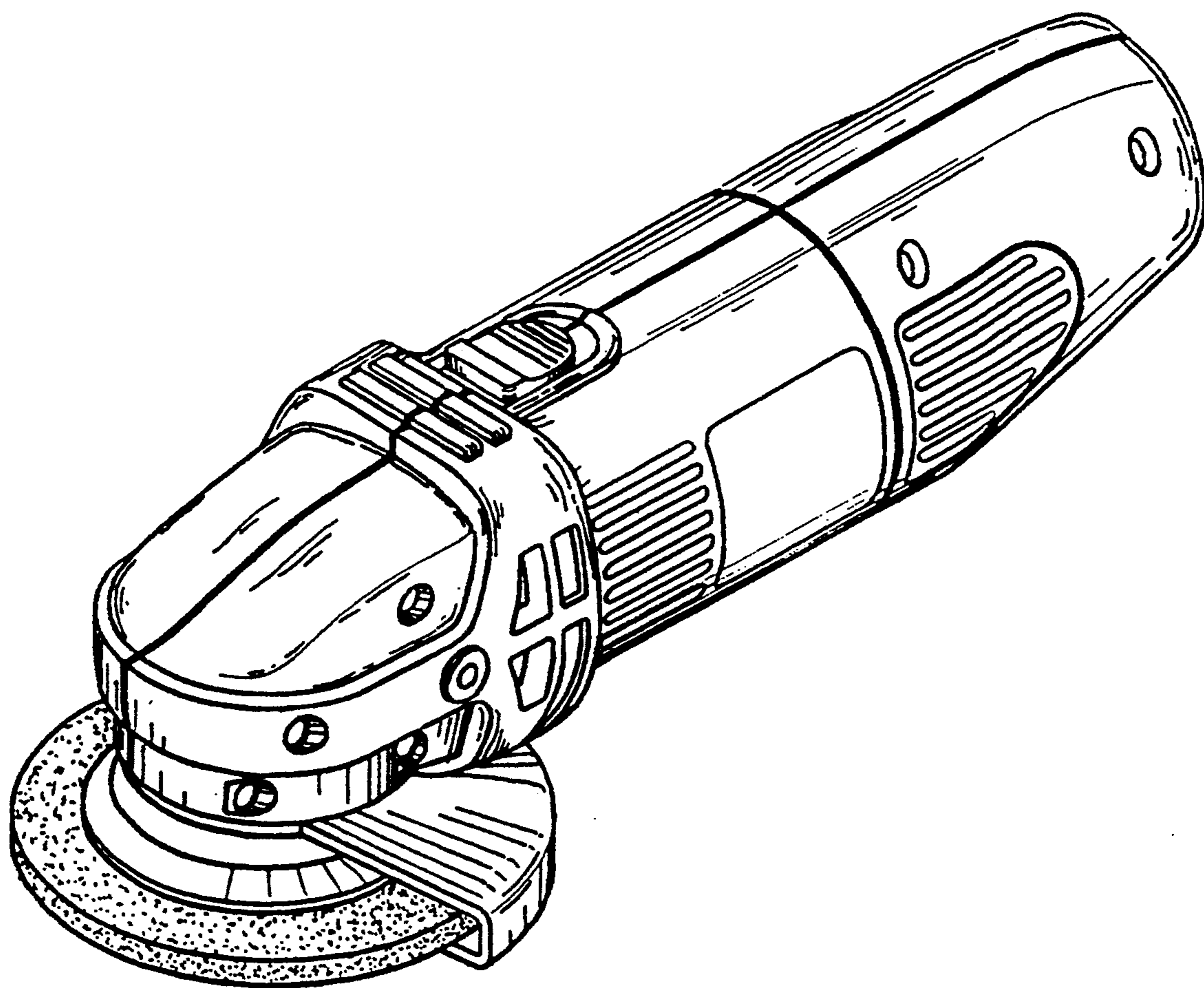


FIG. 2

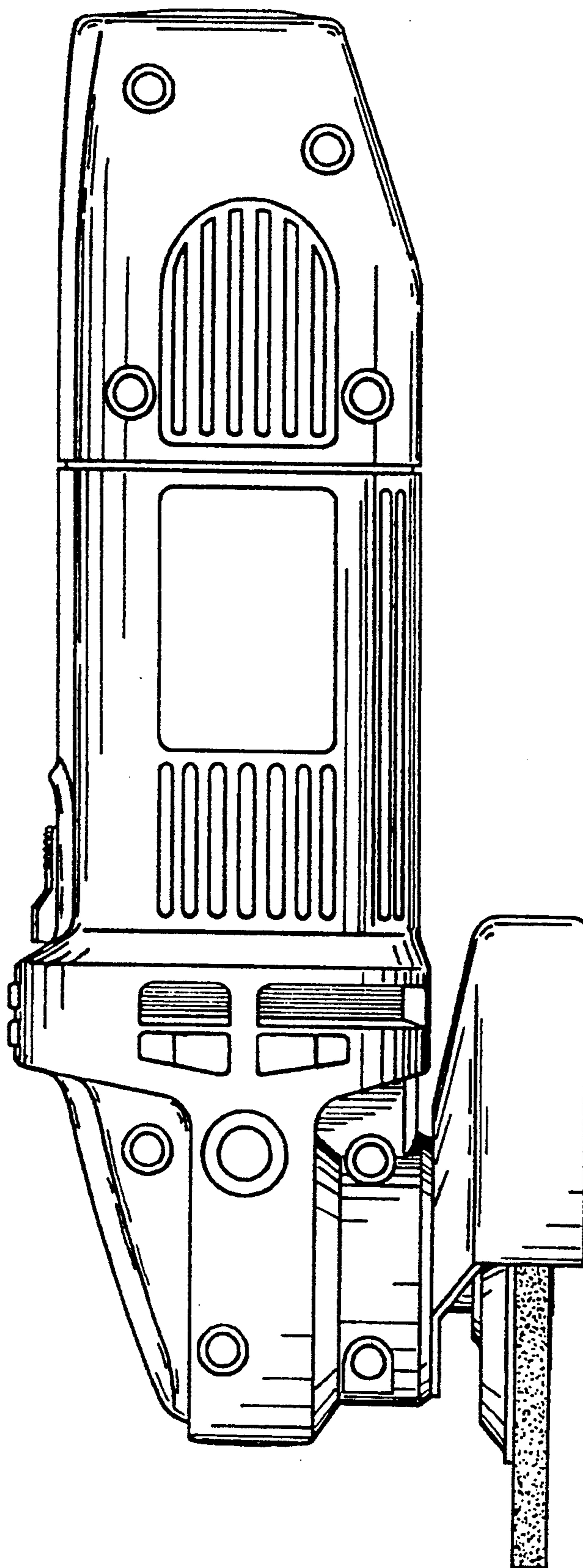


FIG. 3

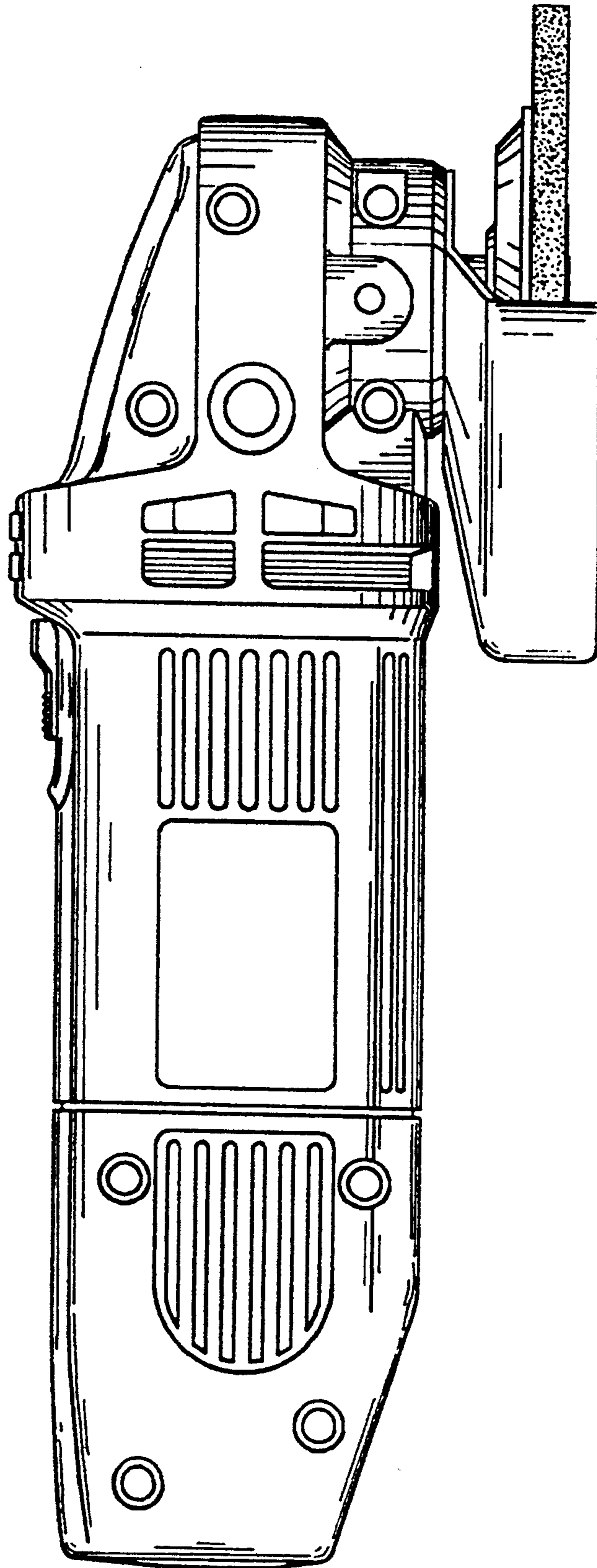


FIG. 4

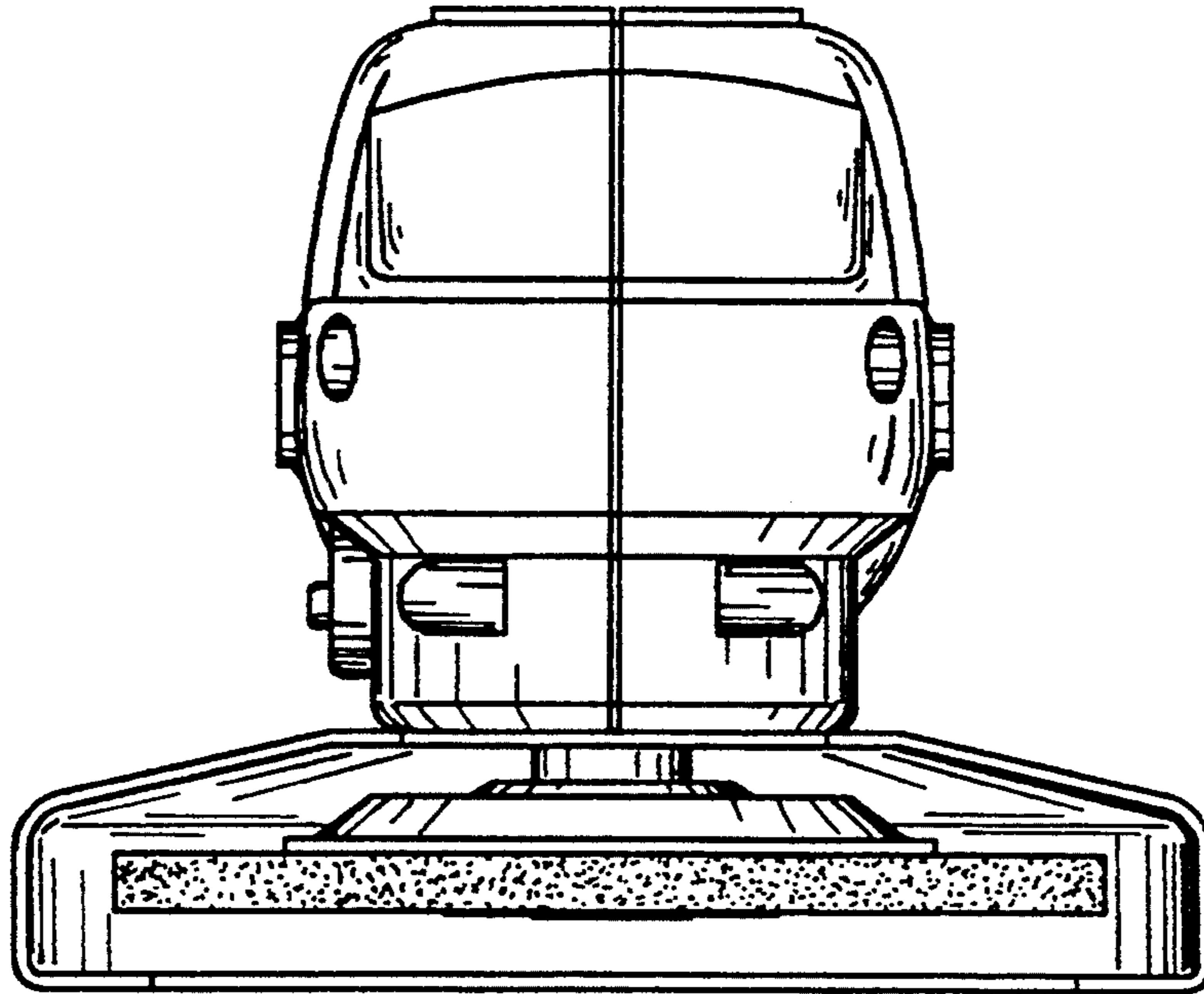


FIG. 5

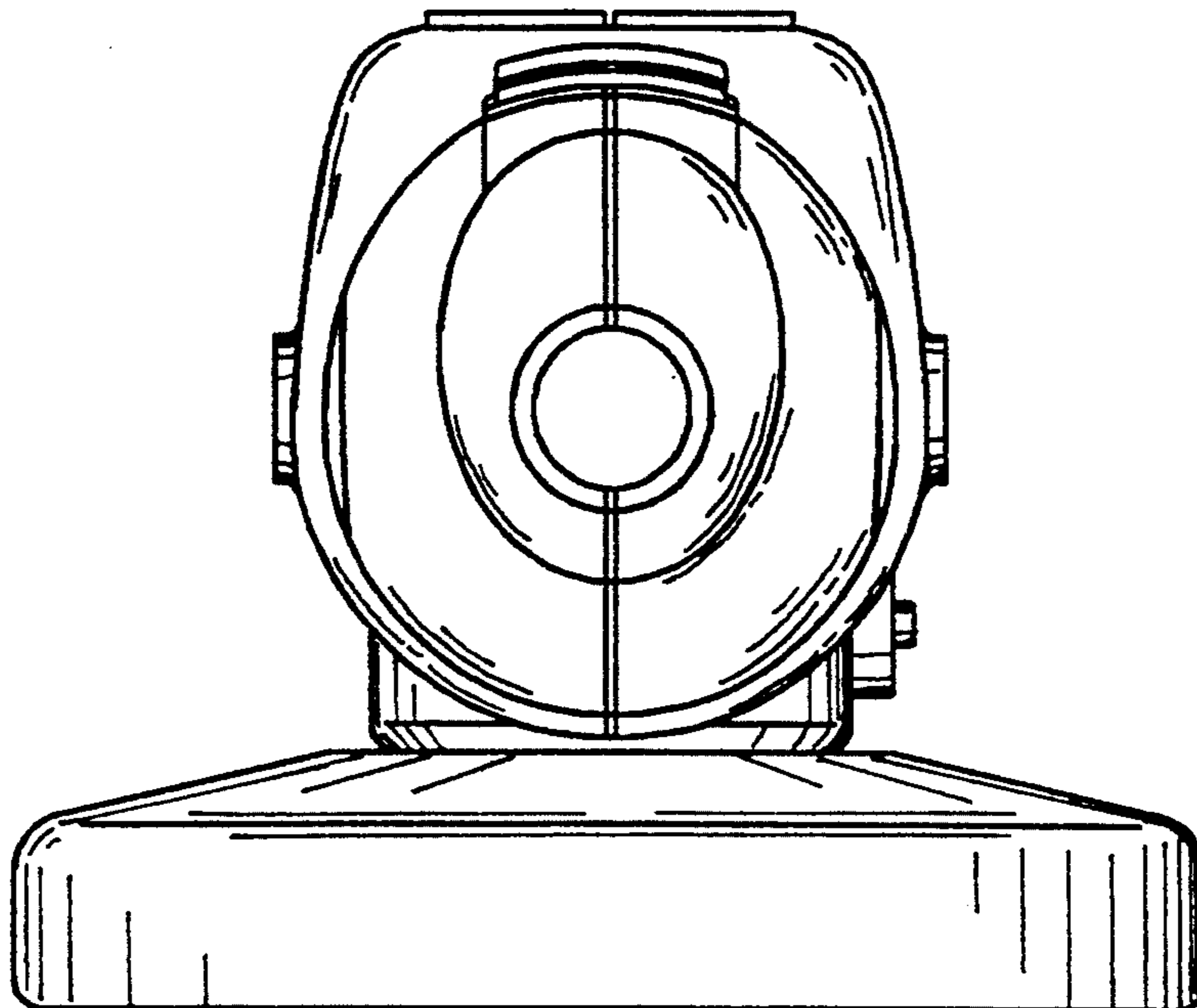


FIG. 6

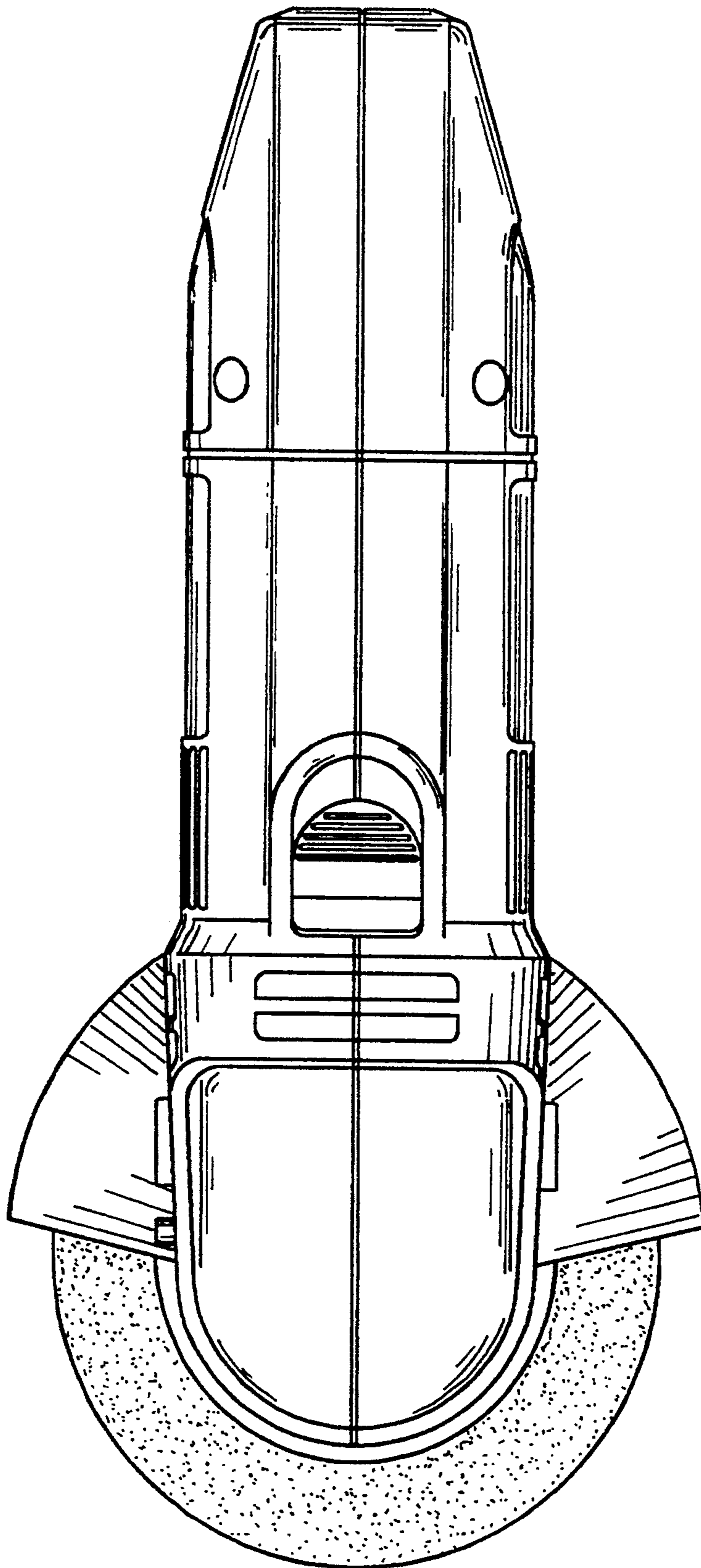


FIG. 7

